



US00D950345S

(12) **United States Design Patent**
Slafkovsky

(10) **Patent No.:** **US D950,345 S**

(45) **Date of Patent:** **** May 3, 2022**

(54) **MECHANICAL ADVANTAGE LEVER**

(71) Applicant: **Mark Slafkovsky**, Yardville, NJ (US)

(72) Inventor: **Mark Slafkovsky**, Yardville, NJ (US)

(**) Term: **15 Years**

(21) Appl. No.: **29/756,385**

(22) Filed: **Oct. 28, 2020**

(51) **LOC (13) Cl.** **08-05**

(52) **U.S. Cl.**
USPC **D8/88**

(58) **Field of Classification Search**
USPC D8/14, 88, 89, 105
CPC E04G 23/08; B66F 15/00; B25C 11/00
See application file for complete search history.

(56) **References Cited**

U.S. PATENT DOCUMENTS

- 1,486,820 A * 3/1924 Wilder B25C 11/00
254/25
- 1,508,489 A * 9/1924 Vlcek E04G 23/08
254/25
- 2,525,226 A * 10/1950 Lawellin B25C 11/00
254/25
- 2,680,003 A * 6/1954 Feinstein E04G 23/08
254/131
- D211,755 S * 7/1968 Yeager D8/89
- 3,522,932 A * 8/1970 Nakasone B65G 7/12
254/131
- 3,893,200 A * 7/1975 Wanciak B25F 1/00
7/166

- 6,260,824 B1 * 7/2001 Aderhold B25C 11/00
254/113
- 6,663,083 B1 * 12/2003 Smith B25C 11/00
254/131
- 6,986,504 B1 * 1/2006 Eby B25C 11/00
254/25
- 7,503,545 B2 * 3/2009 Verbowski B25G 1/10
254/21
- D834,911 S * 12/2018 Kasan E04G 23/08
D8/88
- 10,618,787 B2 * 4/2020 Kasan B25C 11/00
- 2014/0182107 A1 * 7/2014 Nestor B66F 15/00
29/426.5
- 2017/0144876 A1 * 5/2017 Kasan E04G 23/08

* cited by examiner

Primary Examiner — Philip S Hyder
(74) *Attorney, Agent, or Firm* — Porzio Bromberg & Newman P.C.

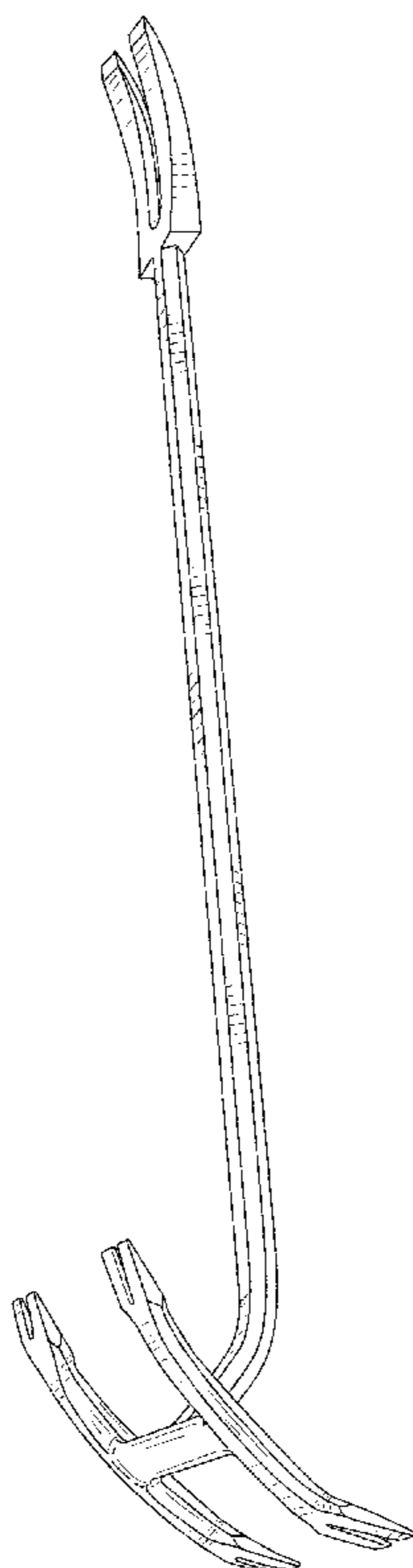
(57) **CLAIM**

I claim the ornamental design for a mechanical advantage lever, as shown and described.

DESCRIPTION

FIG. 1 is a perspective, showing my new design;
FIG. 2 is a front view thereof;
FIG. 3 is a rear view thereof;
FIG. 4 is a right view thereof;
FIG. 5 is a left view thereof;
FIG. 6 is a top view thereof; and,
FIG. 7 is a bottom view thereof.

1 Claim, 6 Drawing Sheets



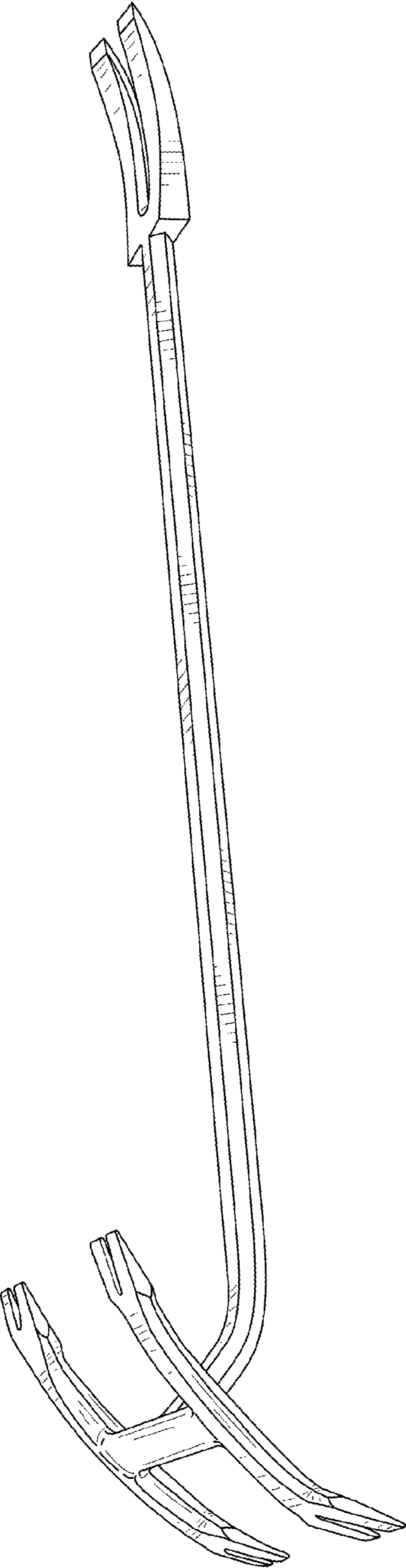


FIG. 1

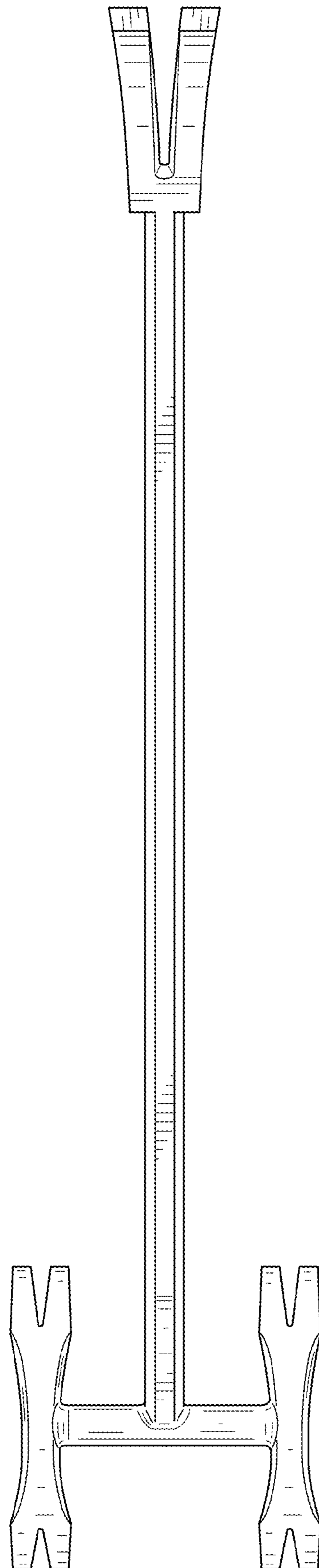


FIG. 2

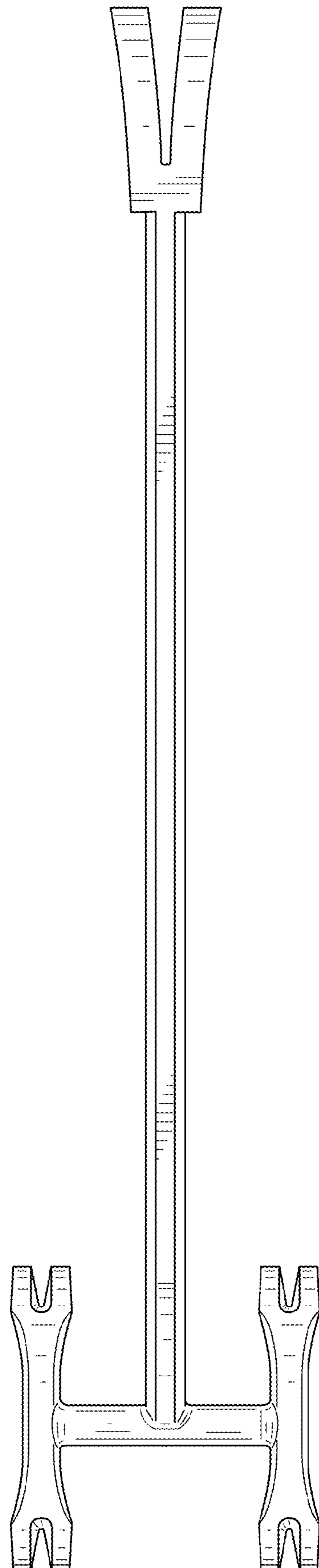


FIG. 3

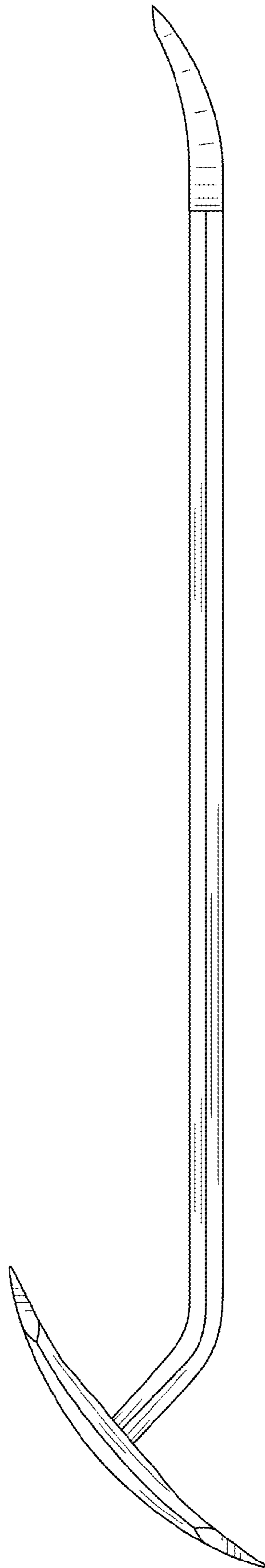


FIG. 4

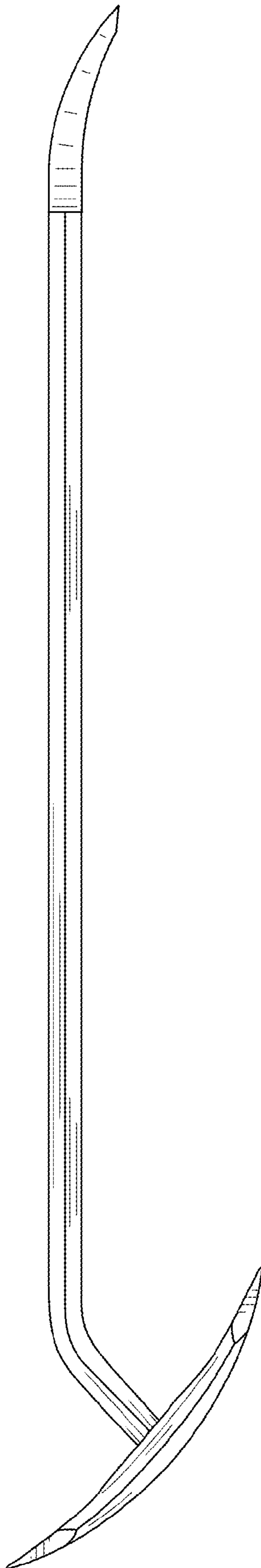


FIG. 5

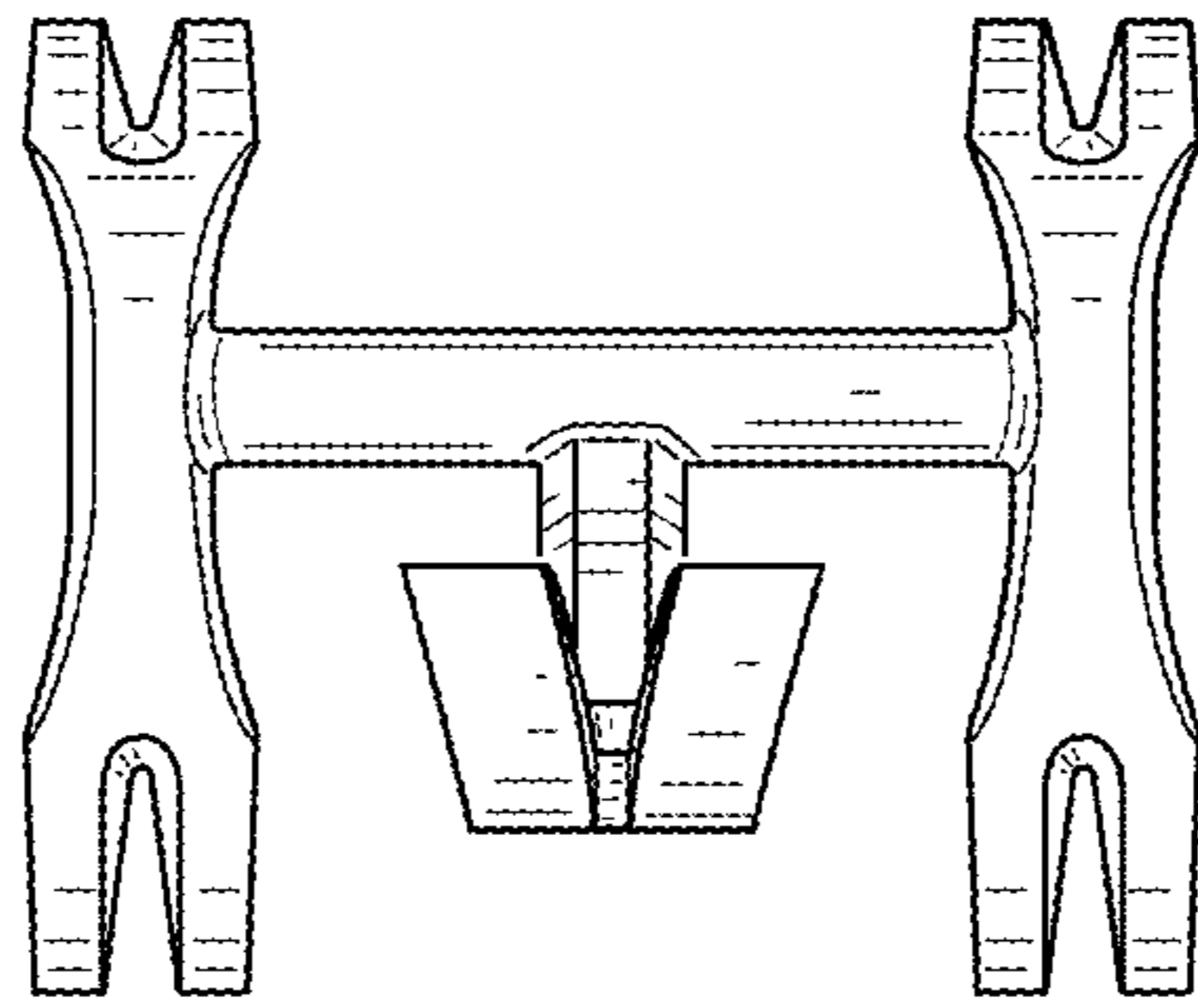


FIG. 6

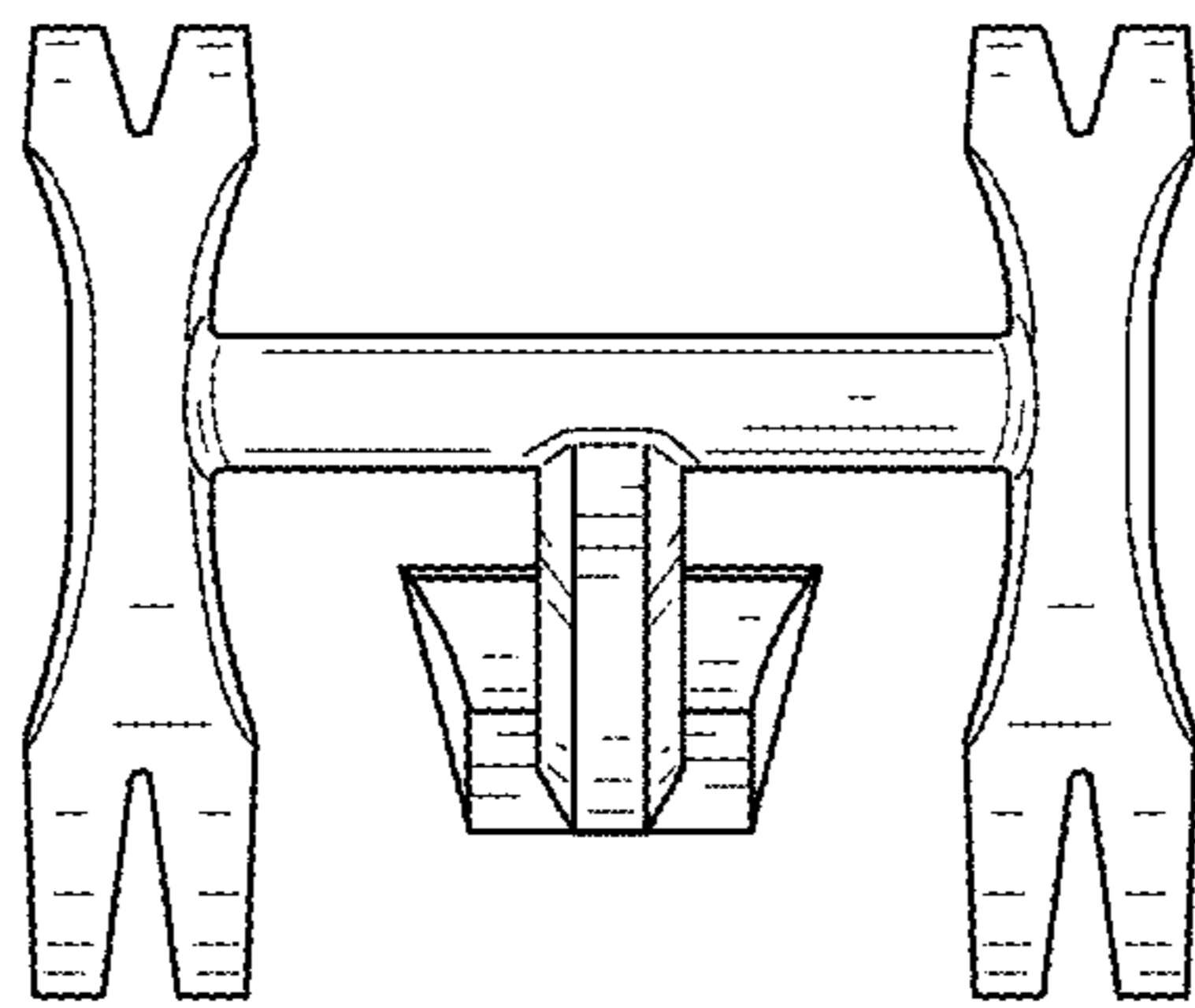


FIG. 7