



US00D950344S

(12) **United States Design Patent** (10) **Patent No.:** **US D950,344 S**
Sweitzer et al. (45) **Date of Patent:** **** May 3, 2022**

(54) **STRIPPED SCREW EXTRACTOR**
(71) Applicant: **Shukla Medical**, St. Petersburg, FL (US)
(72) Inventors: **Zachary Robert Sweitzer**, Keyport, NJ (US); **Adam Gosik-Wolfe**, Tampa, FL (US)
(73) Assignee: **Shukla Medical**, St. Petersburg, FL (US)

8,955,415 B2 * 2/2015 Lin B25B 27/18
81/53.2
D774,868 S * 12/2016 Ouyang D8/86
D786,646 S * 5/2017 Ouyang D8/86
D794,188 S * 8/2017 Naglapura D24/133
D794,409 S * 8/2017 Anderson D8/86
10,730,124 B2 * 8/2020 Nakajima B23G 5/06
D935,298 S * 11/2021 Liu D8/86
2006/0191379 A1 * 8/2006 McCalley B25B 27/18
81/53.2
2009/0183603 A1 * 7/2009 Kozak B23B 51/10
81/53.2
2011/0061217 A1 * 3/2011 Shevela B25B 27/0035
29/235

(**) Term: **15 Years**

(Continued)

(21) Appl. No.: **29/753,595**

Primary Examiner — Philip S Hyder
(74) Attorney, Agent, or Firm — Kim IP Law Group LLC

(22) Filed: **Oct. 1, 2020**

(51) **LOC (13) Cl.** **08-04**

(52) **U.S. Cl.**
USPC **D8/86**

(57) **CLAIM**

The ornamental design for a stripped screw extractor, as shown and described.

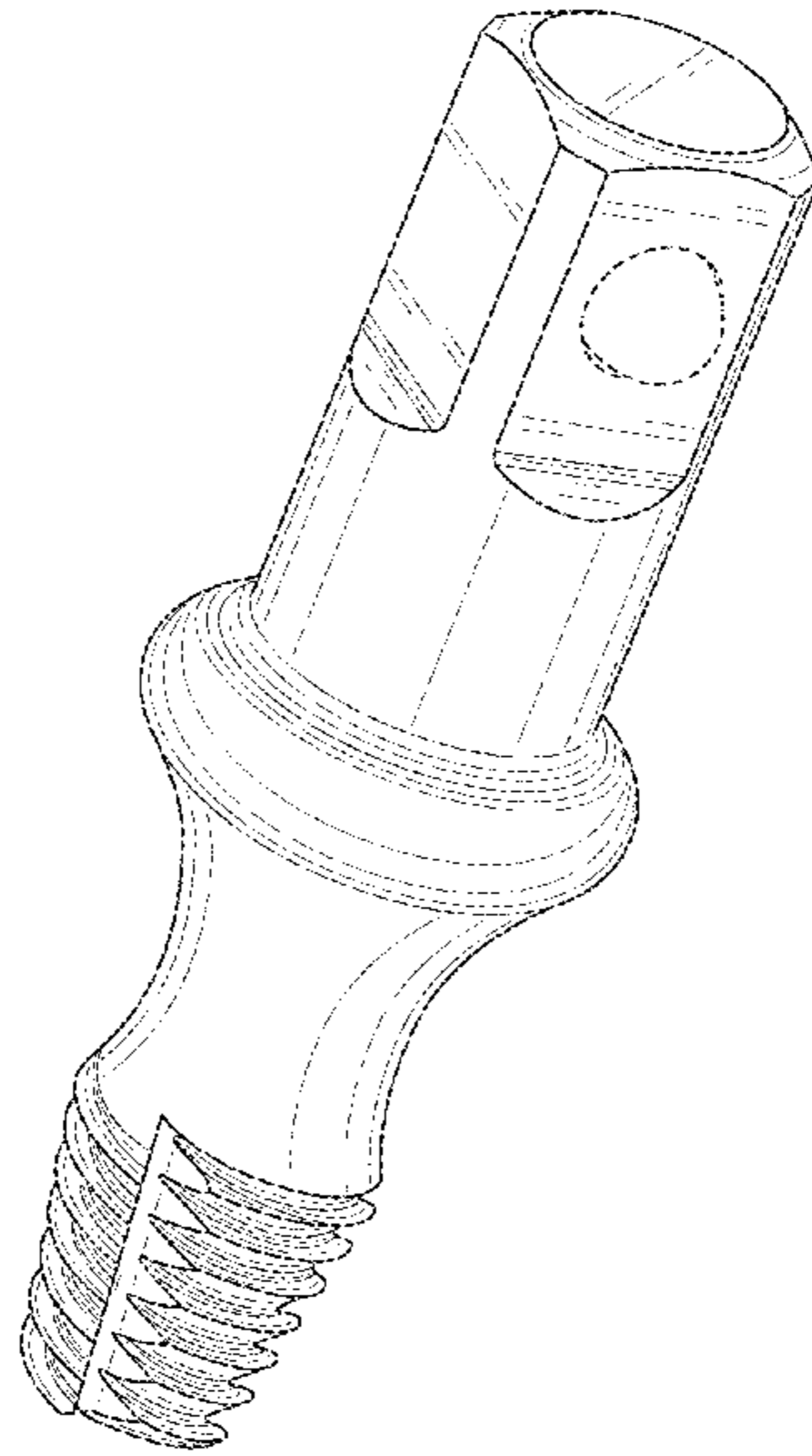
(58) **Field of Classification Search**
USPC D8/70, 82, 85, 86; D15/139; D24/145
CPC B25B 27/18; B25B 15/00; B25B 15/001;
B25B 15/005; B25B 15/007; B25B 15/02;
B23K 20/1255; A61B 17/92; A61B
17/888; A61B 17/8615
See application file for complete search history.

DESCRIPTION

FIG. 1 is a perspective view of a stripped screw extractor in accordance with the new design;
FIG. 2 is a front view of the stripped screw extractor of FIG. 1;
FIG. 3 is a rear view of the stripped screw extractor of FIG. 1;
FIG. 4 is a left side view of the stripped screw extractor of FIG. 1;
FIG. 5 is a right side view of the stripped screw extractor of FIG. 1;
FIG. 6 is a top view of the stripped screw extractor of FIG. 1; and,
FIG. 7 is a bottom view of the stripped screw extractor of FIG. 1.
In the drawings, the broken lines illustrate portions of the stripped screw extractor that form no part of the claimed design.

(56) **References Cited**
U.S. PATENT DOCUMENTS
1,863,045 A * 6/1932 Randall B25B 27/18
81/441
3,945,069 A * 3/1976 Cecil B23G 5/06
470/198
D363,294 S * 10/1995 Ellis D15/139
6,761,089 B2 * 7/2004 Bergamo B25B 27/18
81/441
D656,611 S * 3/2012 Garcia D24/145
D668,697 S * 10/2012 Hsu D15/139
8,579,180 B2 * 11/2013 Burford B23K 20/1255
228/2.1

1 Claim, 7 Drawing Sheets



(56)

References Cited

U.S. PATENT DOCUMENTS

2011/0252925 A1* 10/2011 Whitehead B25B 15/005
81/53.2
2011/0262925 A1* 10/2011 Dryga G01N 33/53
435/6.15
2014/0216214 A1* 8/2014 Lin B25B 27/18
81/441
2014/0238202 A1* 8/2014 Roscosky B25B 27/18
81/53.2
2015/0075331 A1* 3/2015 Catalano B25B 27/18
81/53.2
2016/0082579 A1* 3/2016 Chen B25B 27/18
81/441
2016/0279772 A1* 9/2016 Woods B25B 27/18
2018/0001450 A1* 1/2018 Anderson B25B 27/18

* cited by examiner

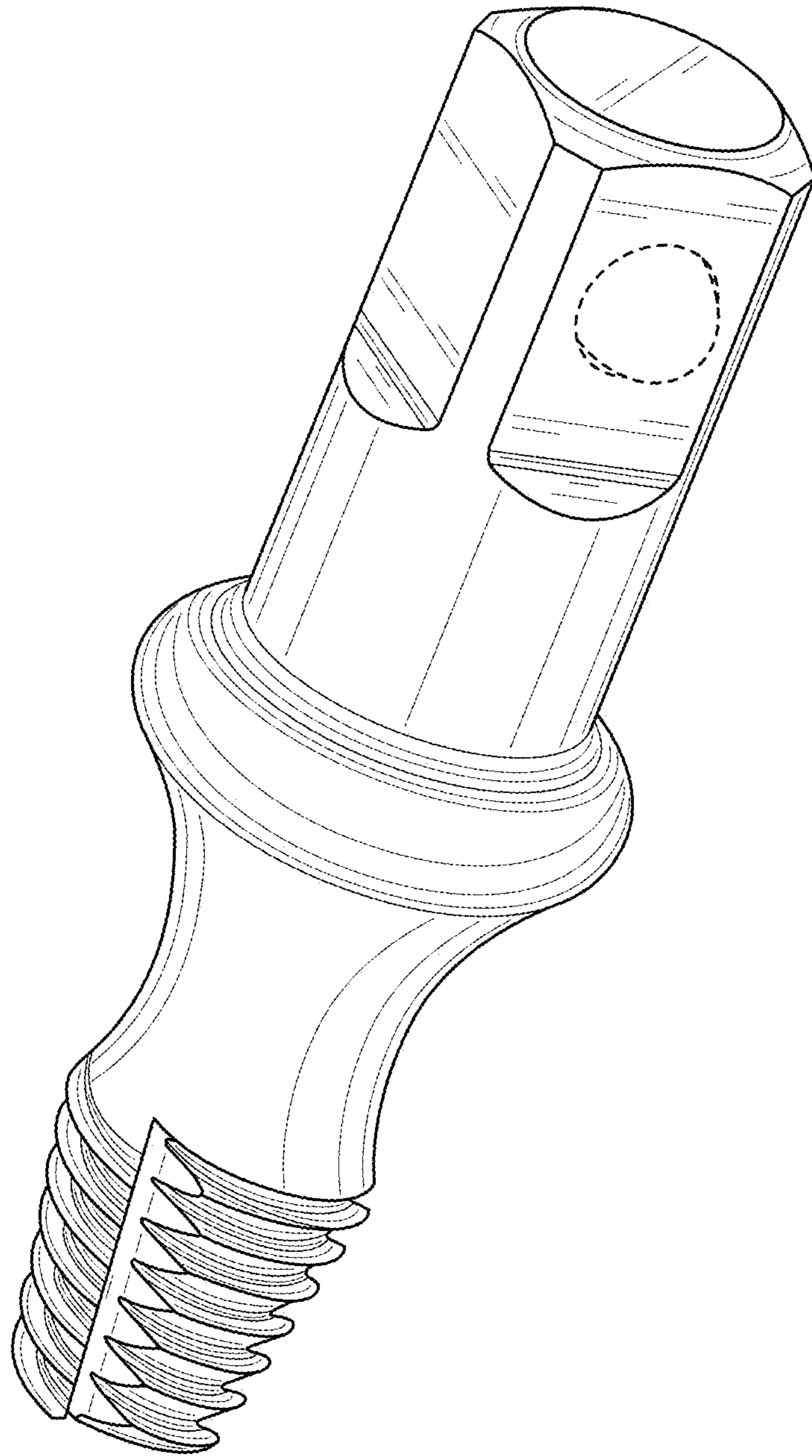


FIG. 1

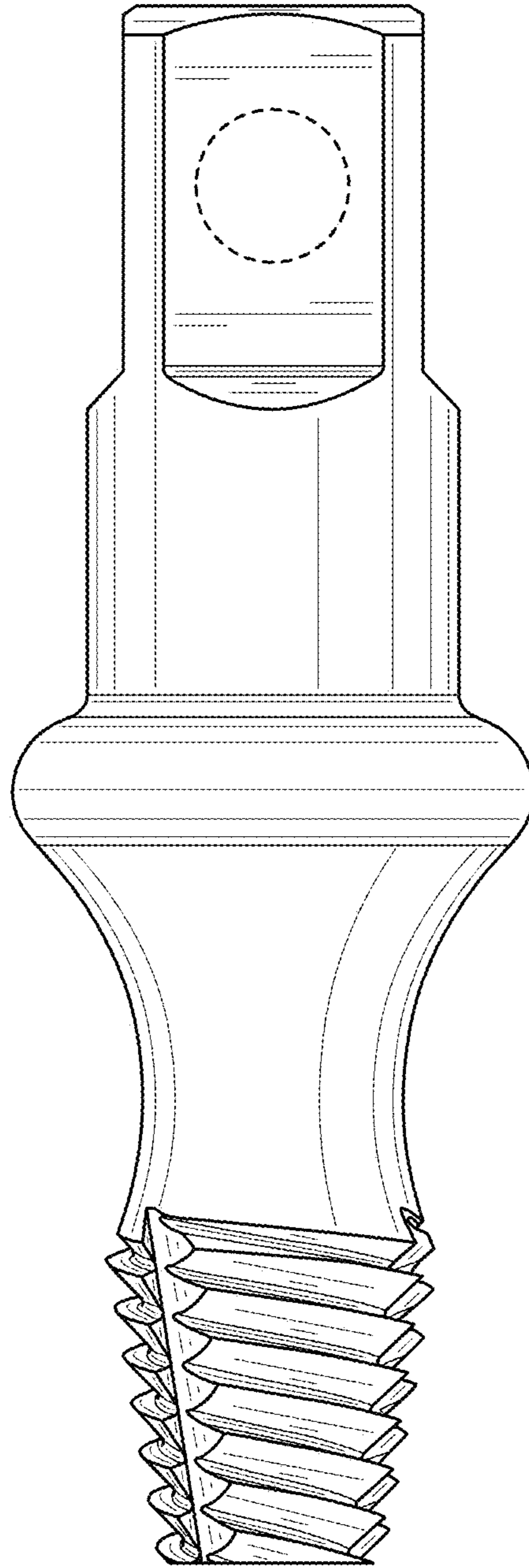


FIG. 2

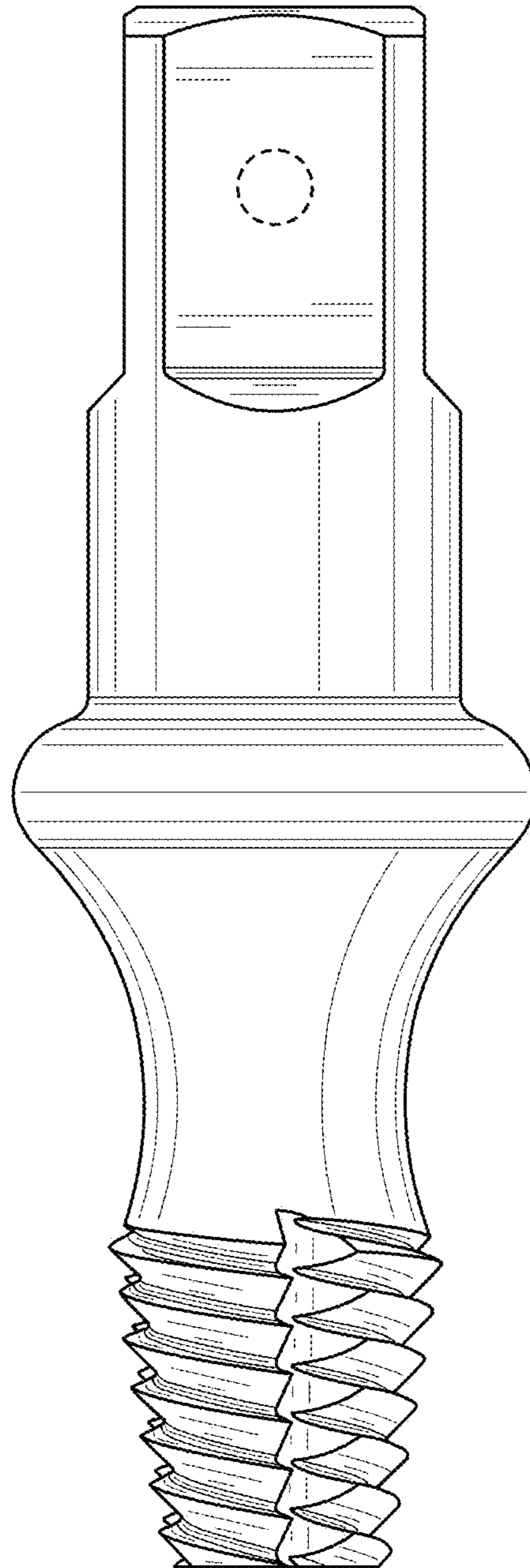


FIG. 3

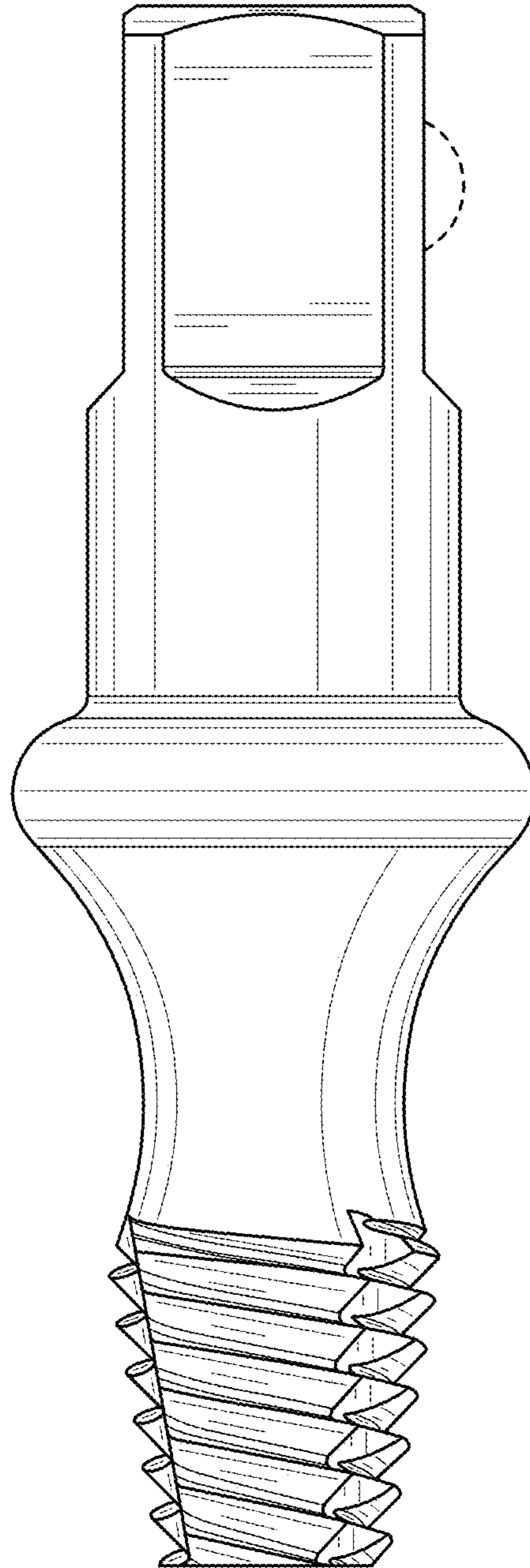


FIG. 4

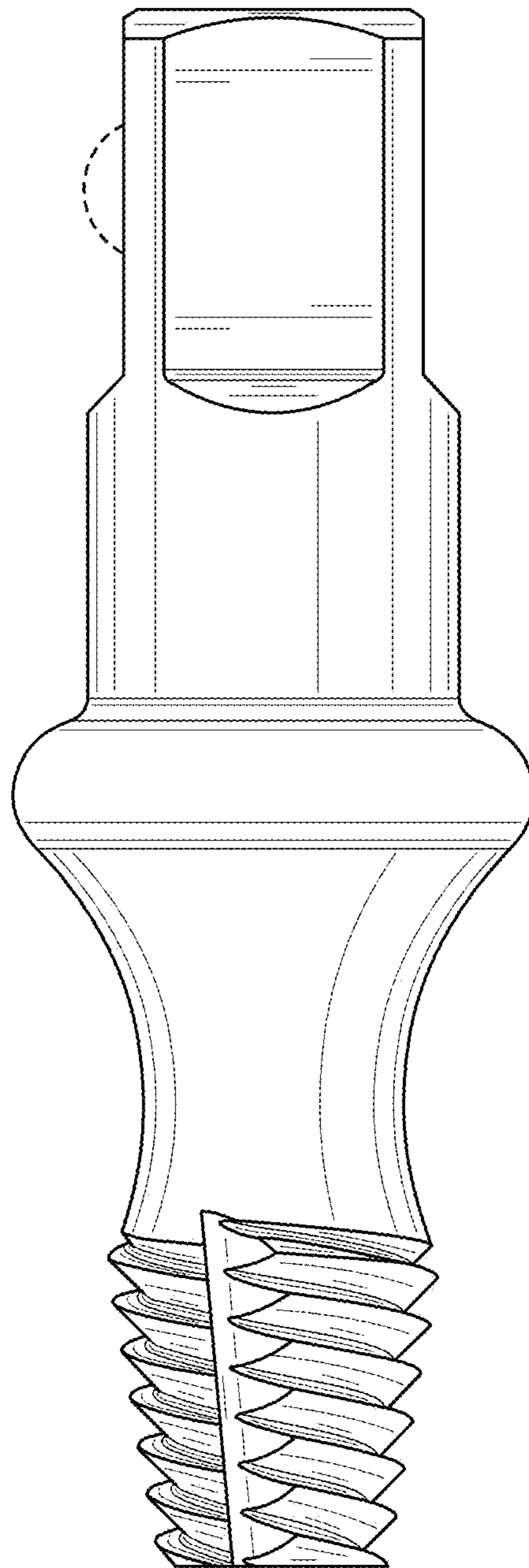


FIG. 5

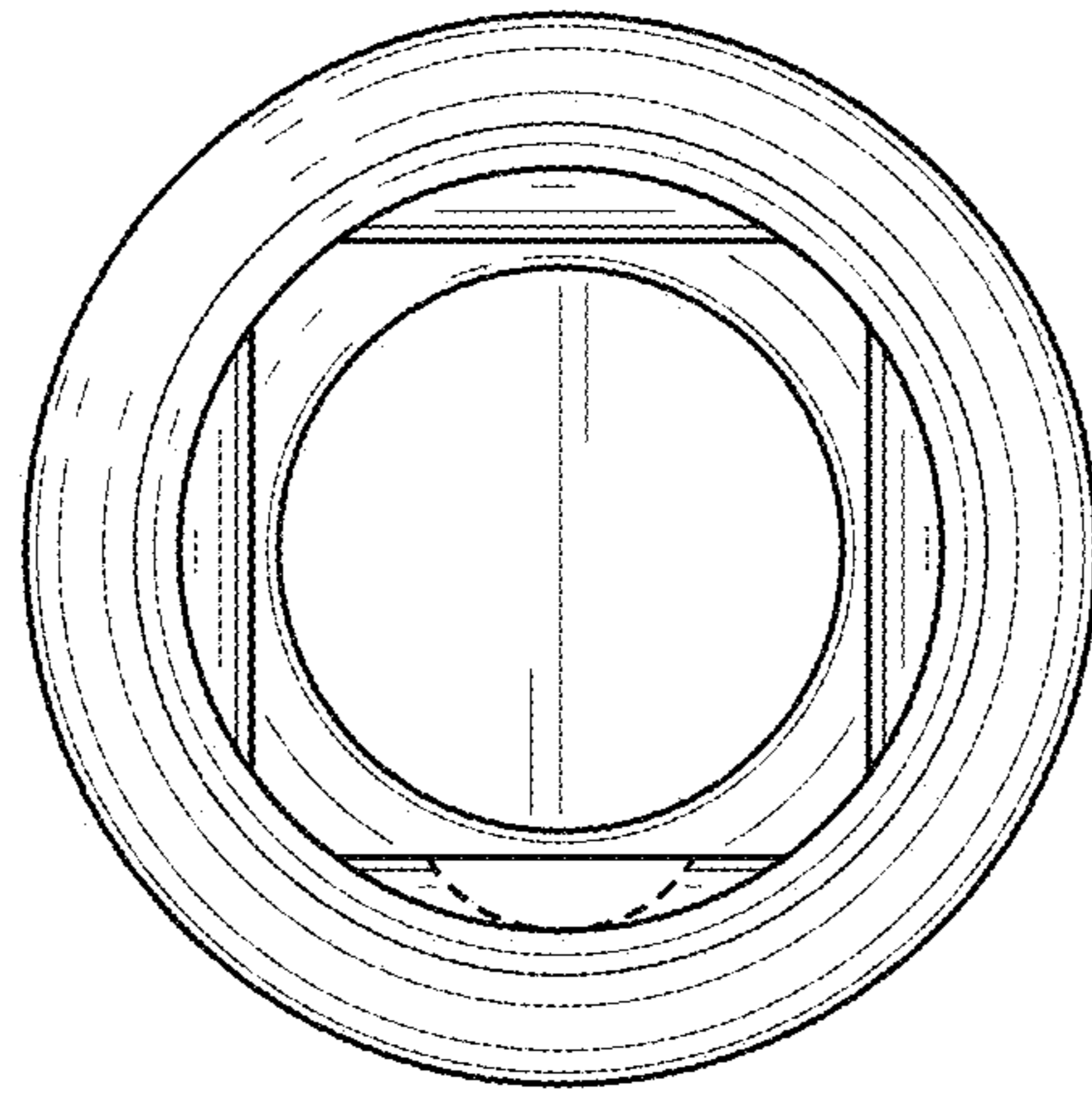


FIG. 6

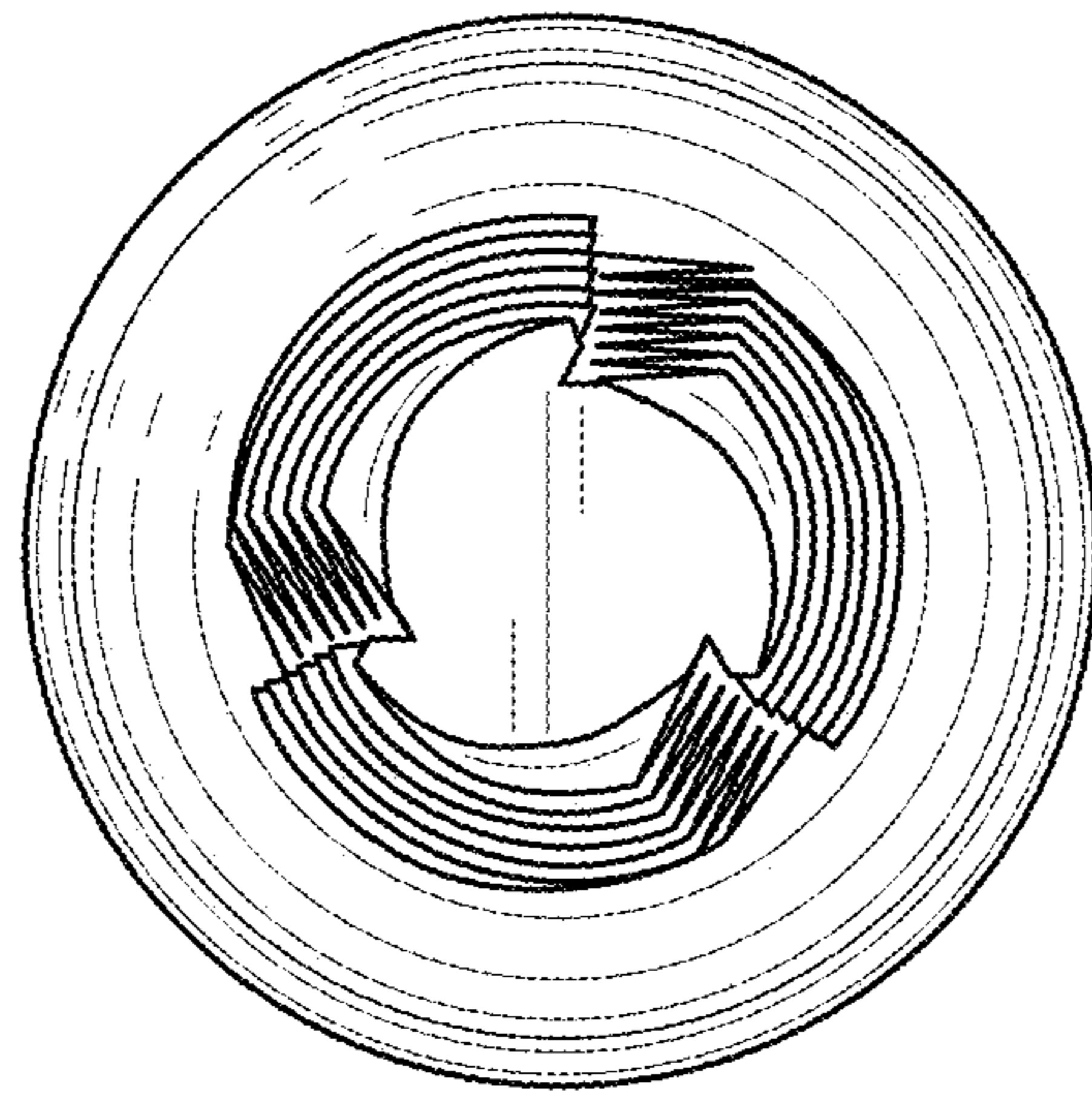


FIG. 7