



US00D950343S

(12) **United States Design Patent** (10) **Patent No.:** **US D950,343 S**
Wang (45) **Date of Patent:** **** May 3, 2022**

(54) **WHEEL CLAMP** D418,391 S * 1/2000 Tsai D8/330
D636,003 S * 4/2011 Linson D15/199
(71) Applicant: **AUTEL INTELLIGENT** D738,179 S * 9/2015 Gray D8/72
TECHNOLOGY CORP., LTD., 9,156,436 B2 * 10/2015 Hopper G07C 9/00309
Guangdong (CN) 10,823,554 B2 * 11/2020 Zack G01S 17/931
D915,169 S * 4/2021 Milbank D8/72
(72) Inventor: **Yongshuai Wang,** Guangdong (CN) D926,548 S * 8/2021 Gordon D8/72
2002/0056204 A1 * 5/2002 Corghi G01M 1/045
33/550
(73) Assignee: **AUTEL INTELLIGENT** 2002/0170195 A1 * 11/2002 Corghi G01B 5/255
TECHNOLOGY CORP., LTD., 33/520
Shenzhen (CN) 2006/0090356 A1 * 5/2006 Stieff G01B 11/2755
33/288
(**) Term: **15 Years** 2008/0209744 A1 * 9/2008 Stieff G01B 11/2755
33/203.18

(21) Appl. No.: **29/755,546**

* cited by examiner

(22) Filed: **Oct. 21, 2020**

Primary Examiner — David G Muller

(30) **Foreign Application Priority Data**

Apr. 21, 2020 (CN) 202030165518.7

(51) **LOC (13) Cl.** **08-05**

(52) **U.S. Cl.** **D8/72**
USPC

(58) **Field of Classification Search**
USPC D8/71-74, 394-399, 59; 248/63, 72,
248/74.1, 689, 124.2; 81/487, 385, 386,
81/388-390; 269/3, 4, 6, 143, 165, 240,
269/243, 246-249, 254 R, 147-149;
29/256, 257, 276; 408/103, 104-109
CPC B25B 1/00; B25B 5/00
See application file for complete search history.

(56) **References Cited**

U.S. PATENT DOCUMENTS

4,723,426 A * 2/1988 Beaudoin B60R 25/093
70/14
4,815,216 A * 3/1989 Swayne G01B 5/255
33/203.18

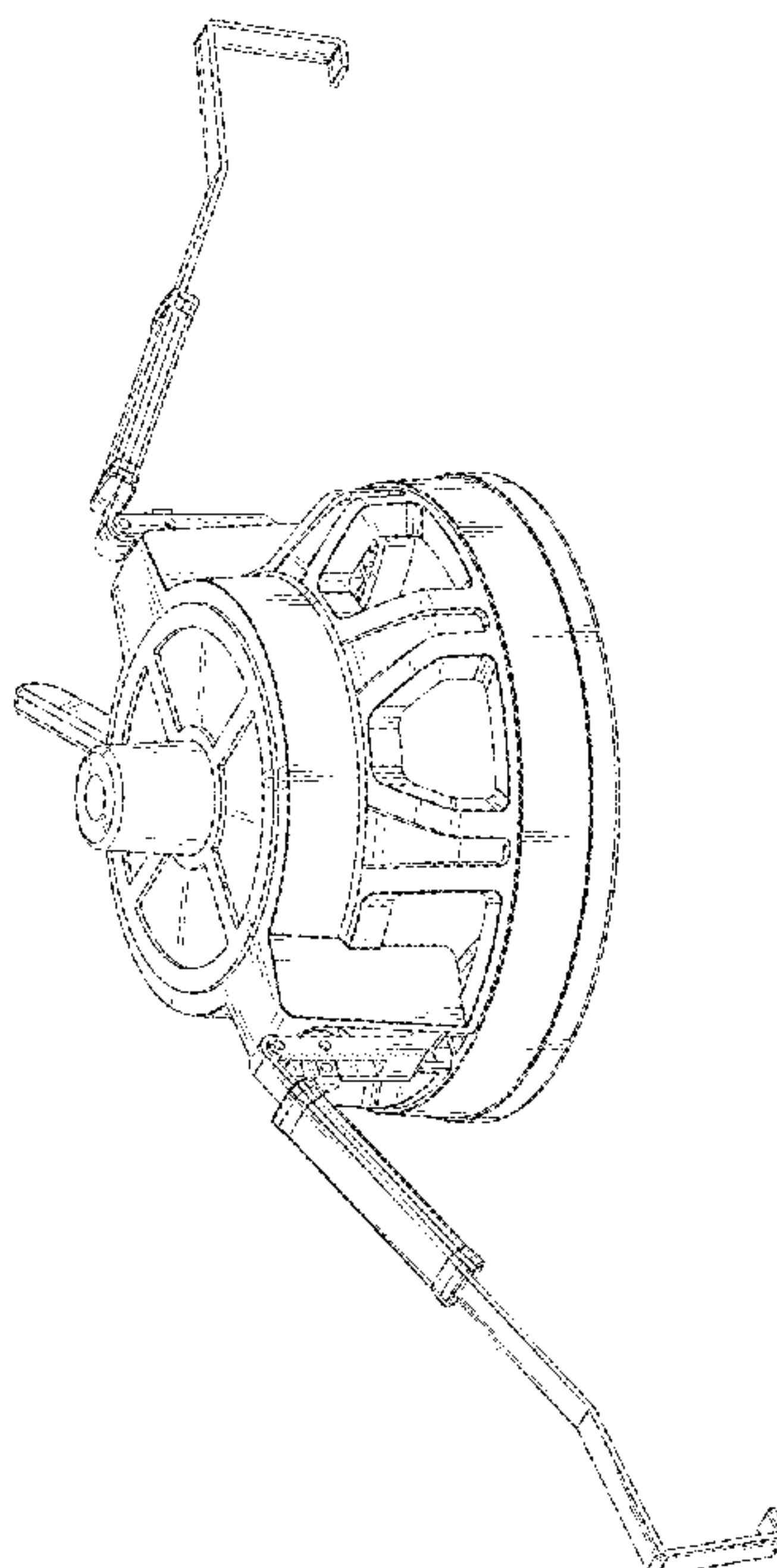
(57) **CLAIM**

I claim the ornamental design for a wheel clamp, as shown and described.

DESCRIPTION

FIG. 1 is a front elevational view of a wheel clamp showing my new design;
FIG. 2 is a back elevational view thereof;
FIG. 3 is a left side elevational view thereof;
FIG. 4 is a right side elevational view thereof;
FIG. 5 is a top plan view thereof;
FIG. 6 is a bottom plan view thereof; and,
FIG. 7 is a perspective view thereof.
The broken line portions shown in FIGS. 2 and 5 form no part of the claimed design.

1 Claim, 6 Drawing Sheets



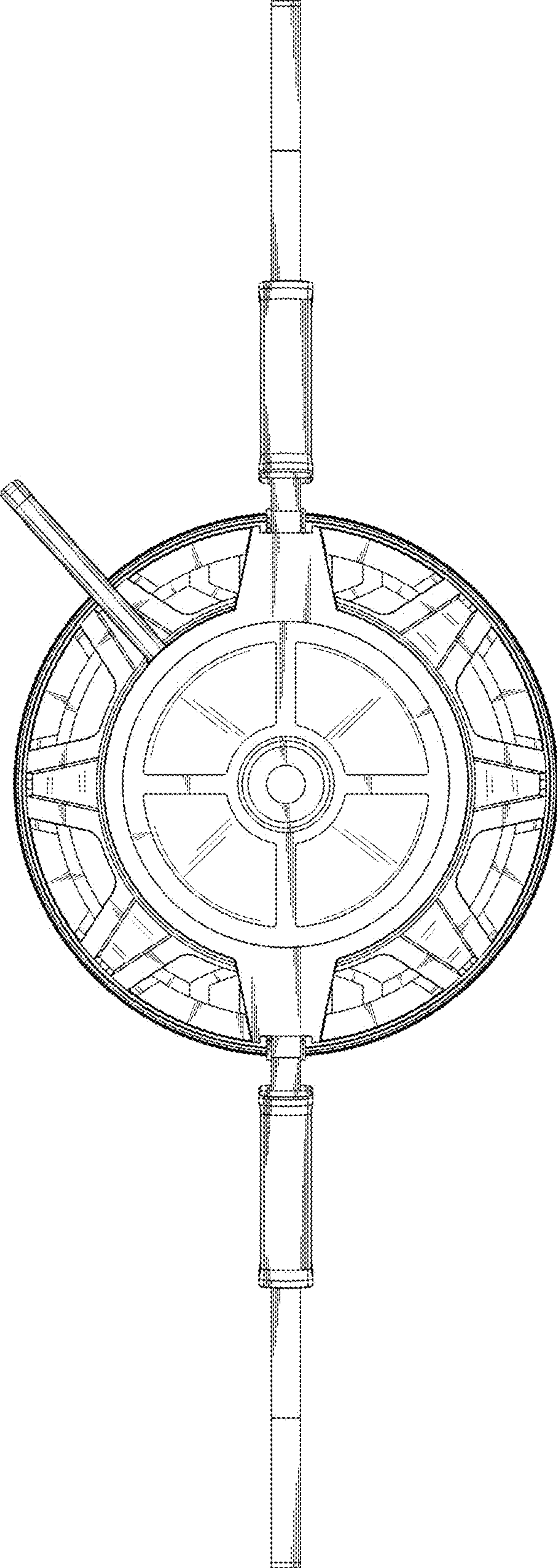


FIG. 1

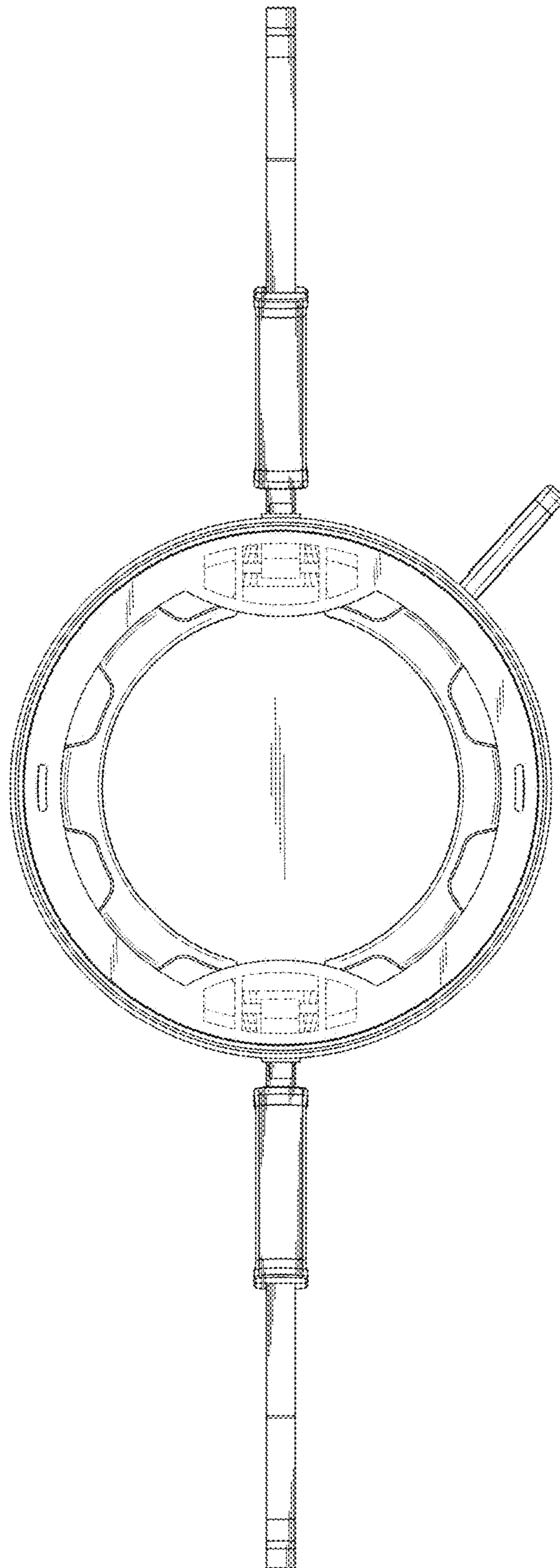


FIG. 2

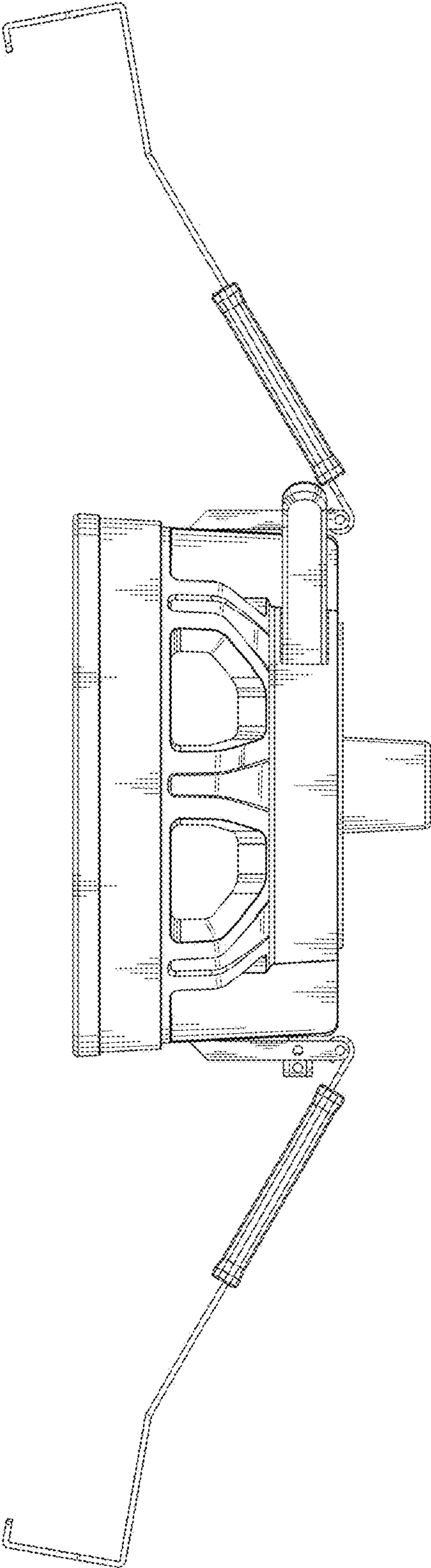


FIG. 3

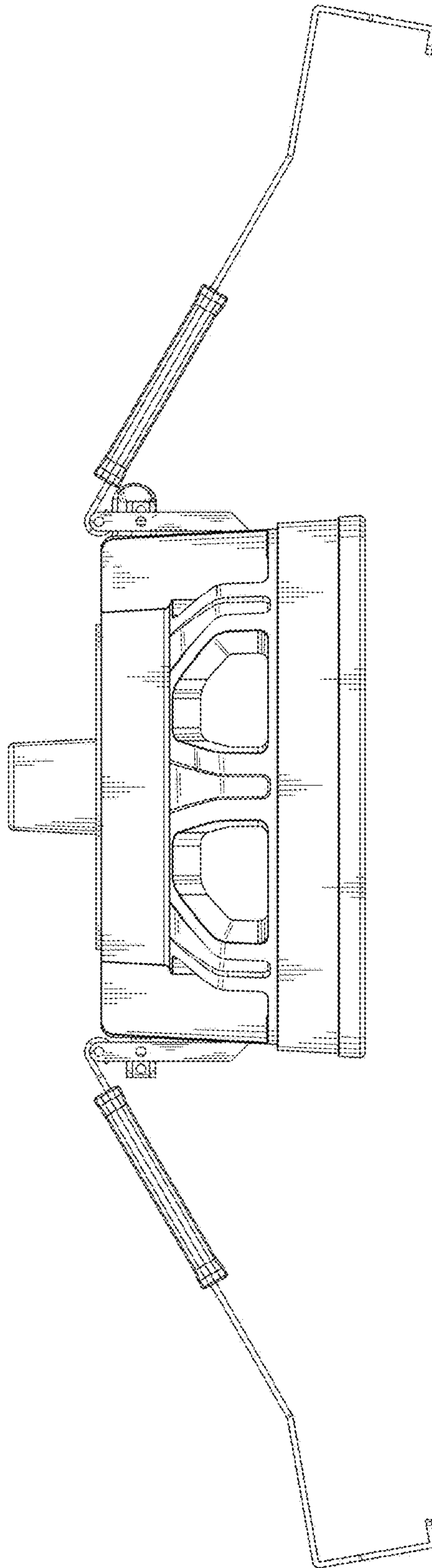


FIG. 4

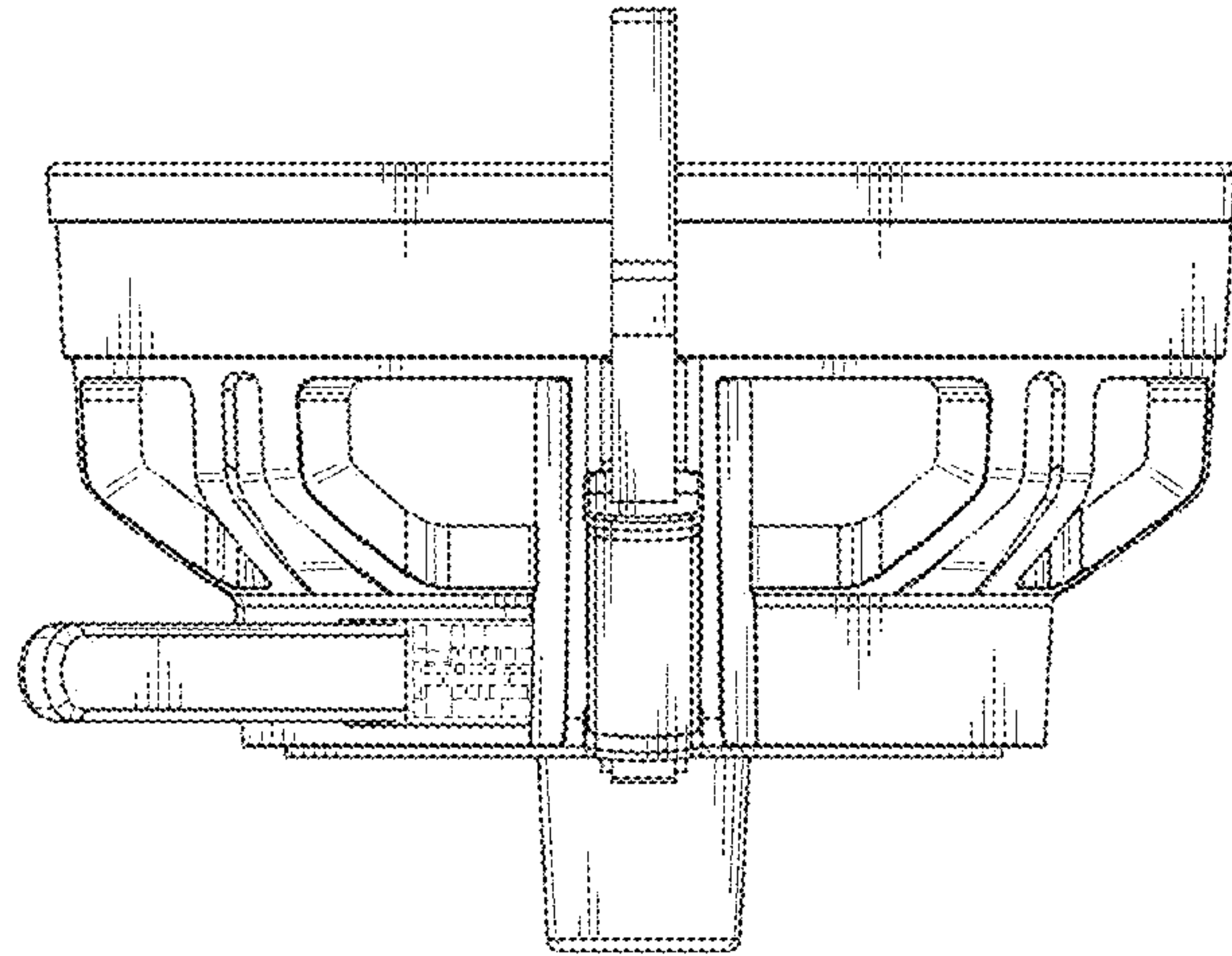


FIG. 5

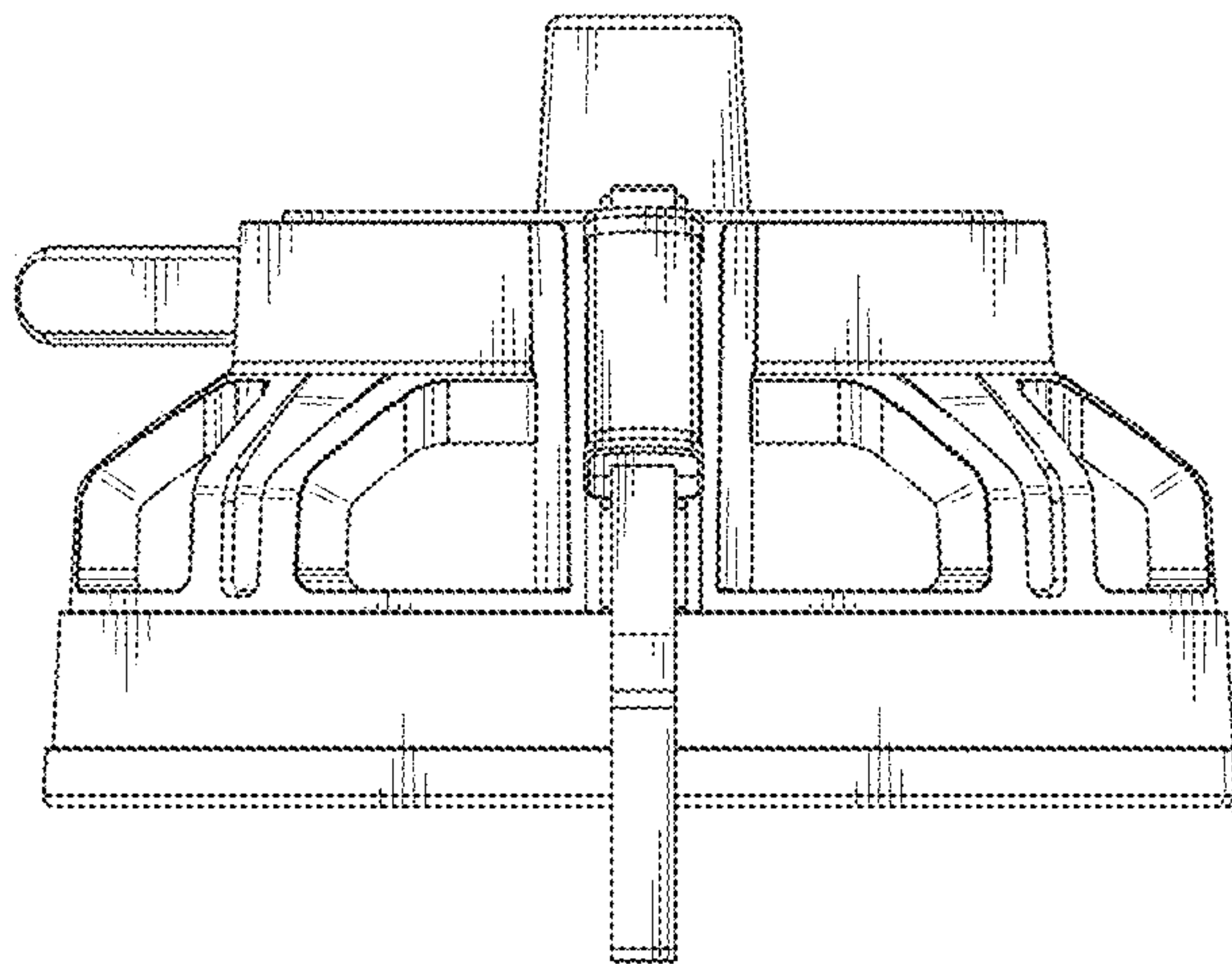


FIG. 6

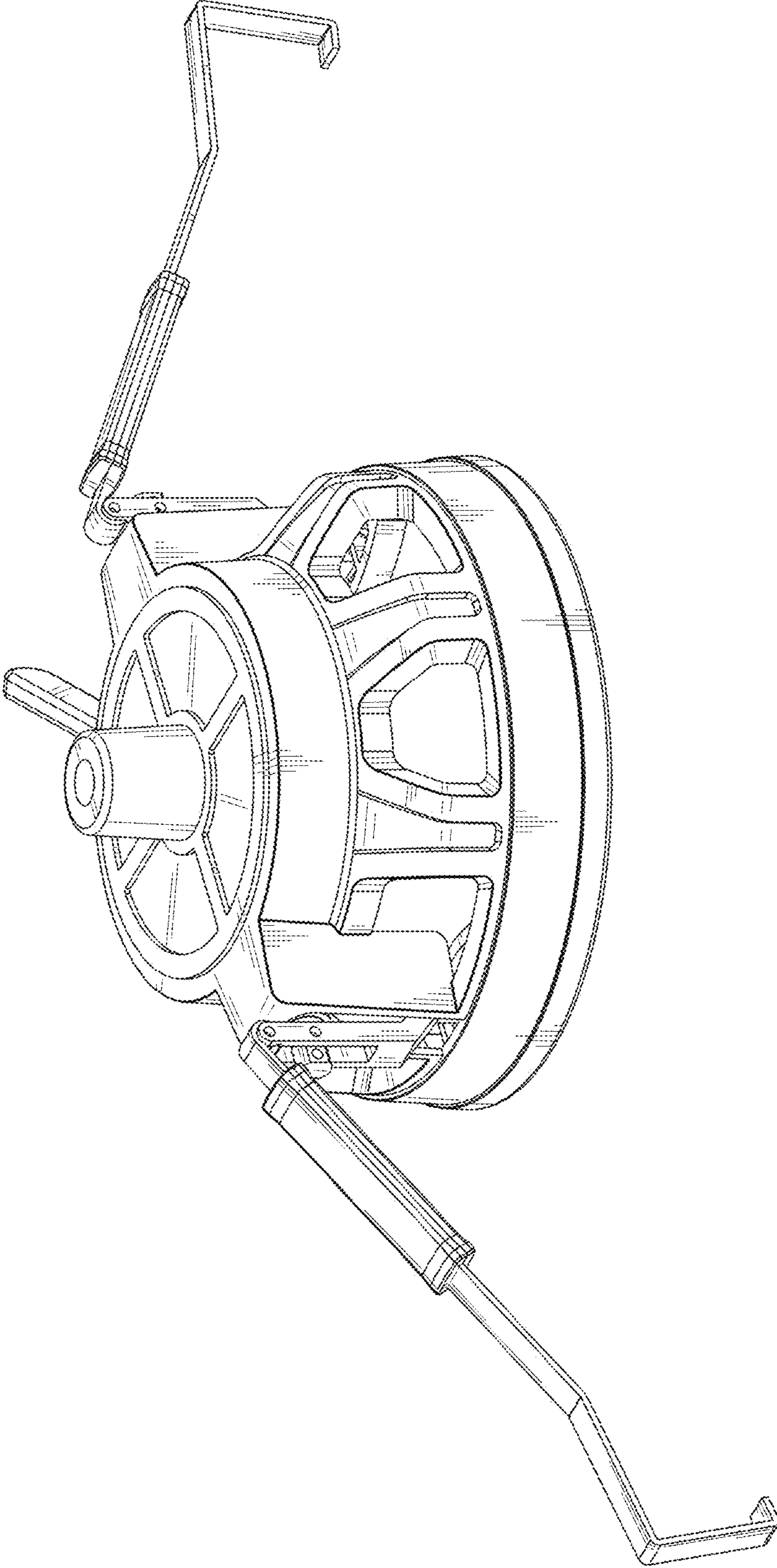


FIG. 7