



US00D950342S

(12) **United States Design Patent**  
**Kuo**

(10) **Patent No.:** **US D950,342 S**

(45) **Date of Patent:** **\*\* May 3, 2022**

(54) **CORNER CLAMP**

(71) Applicant: **SHENG PU PROMOTION CO., LTD.**, Xinbei (TW)

(72) Inventor: **Tzu-Chi Kuo**, Xinbei (TW)

(73) Assignee: **SHENG PU PROMOTION CO., LTD.**, Xinbei (TW)

(\*\*) Term: **15 Years**

(21) Appl. No.: **29/740,817**

(22) Filed: **Jul. 7, 2020**

(51) **LOC (13) Cl.** ..... **08-05**

(52) **U.S. Cl.**  
USPC ..... **D8/72**

(58) **Field of Classification Search**  
USPC ..... D8/70-72, 371-377, 380-381, 394-398,  
D8/499; D15/140  
CPC ..... B25B 5/02; B25B 5/142  
See application file for complete search history.

(56) **References Cited**

**U.S. PATENT DOCUMENTS**

- 2,838,081 A \* 6/1958 Larson ..... B25B 5/142  
269/87.1
- 3,137,492 A \* 6/1964 Dussold ..... B25B 5/142  
269/41
- 3,682,467 A \* 8/1972 Heinrich ..... B25B 5/142  
269/88
- 4,033,570 A \* 7/1977 Curlow ..... F16B 2/12  
269/41
- D271,660 S \* 12/1983 Elmore ..... D8/71
- 4,984,775 A \* 1/1991 Kahlke ..... B25B 1/20  
269/126
- 5,573,228 A \* 11/1996 Chestnut ..... B25B 5/142  
269/41
- 5,730,433 A \* 3/1998 Veres ..... B25B 5/142  
269/134
- D598,263 S \* 8/2009 Noniewicz ..... D8/72

- D863,205 S \* 10/2019 Lin ..... D12/415
- D896,053 S \* 9/2020 Tyler ..... D8/72
- D899,883 S \* 10/2020 Heath, Jr. .... D8/72
- D902,269 S \* 11/2020 Marburger ..... B23P 19/04  
D15/140
- D929,839 S \* 9/2021 Heath, Jr. .... D8/72
- 2010/0218404 A1\* 9/2010 Vaz ..... B44D 3/185  
38/102.1
- 2011/0107627 A1\* 5/2011 Vaz ..... B44D 3/185  
38/102.9

**OTHER PUBLICATIONS**

“Wolfcraft 3051000 Corner Clamps”, Jul. 23, 2015, Amazon.com, site visited Nov. 1, 2021: <https://www.amazon.com/Wolfcraft-3051000-Corner-Clamps-Pieces/dp/B001W7ARXK> (Year: 2015).\*  
“Stax Tools 253 Lockwood—Corner Clamp”, Mar. 31, 2020, Amazon.co.jp, site visited Nov. 1, 2021: <https://www.amazon.co.jp/-/en/stax-tools-253-Lockwood-corner/dp/B086LB38P8> (Year: 2020).\*

\* cited by examiner

*Primary Examiner* — Jack Reickel

*Assistant Examiner* — Michael A Kervin

(74) *Attorney, Agent, or Firm* — Pai Patent & Trademark Law Firm; Chao-Chang David Pai

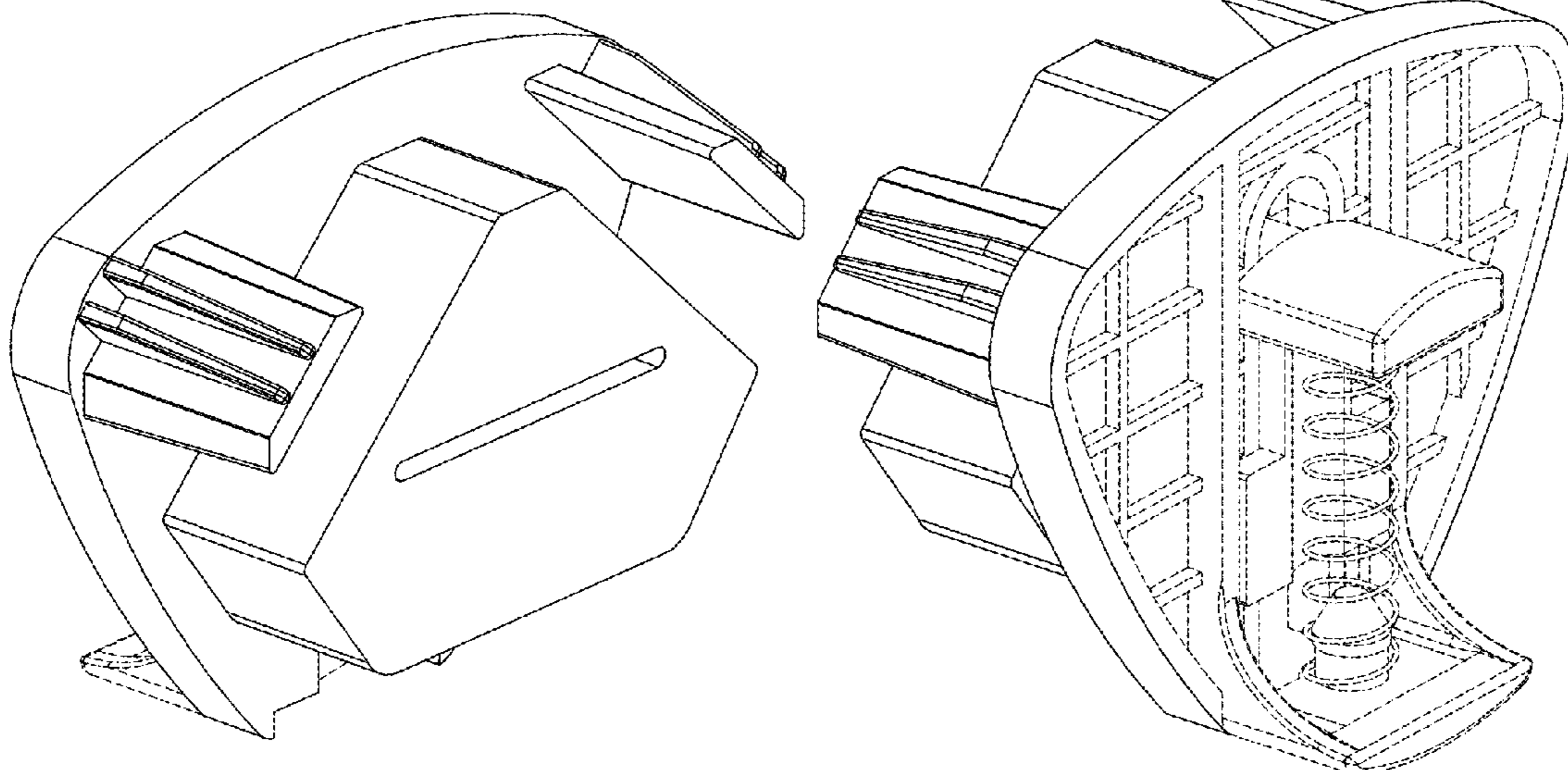
(57) **CLAIM**

The ornamental design for a corner clamp, as shown and described.

**DESCRIPTION**

FIG. 1 is a top, front, left perspective view of a corner clamp, showing my new design; FIG. 2 is a top, rear, right perspective view thereof; and, FIG. 3 is a bottom, front, right perspective view thereof. The broken lines illustrate portions of the corner clamp that form no part of the claimed design.

**1 Claim, 3 Drawing Sheets**



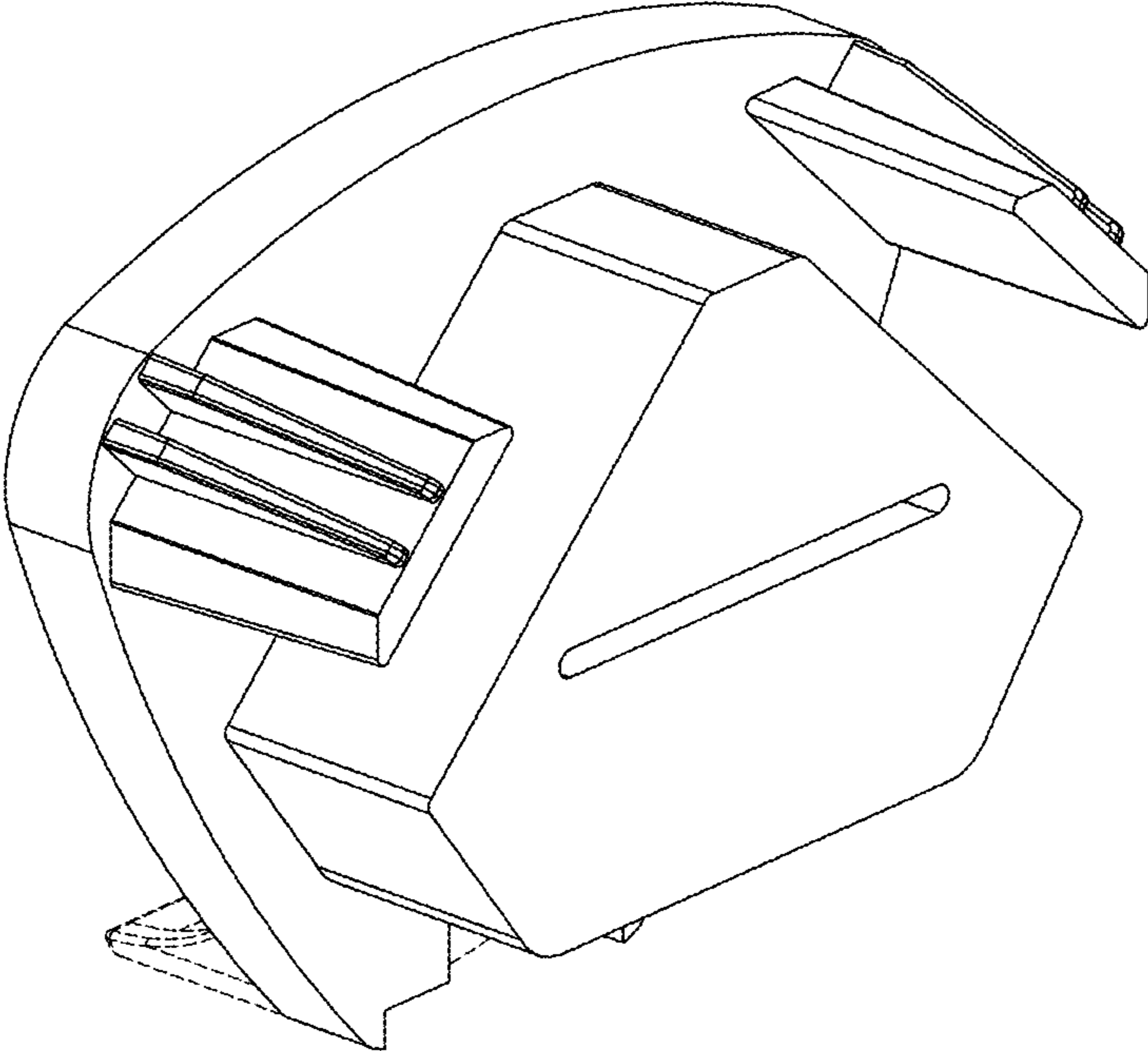


FIG. 1

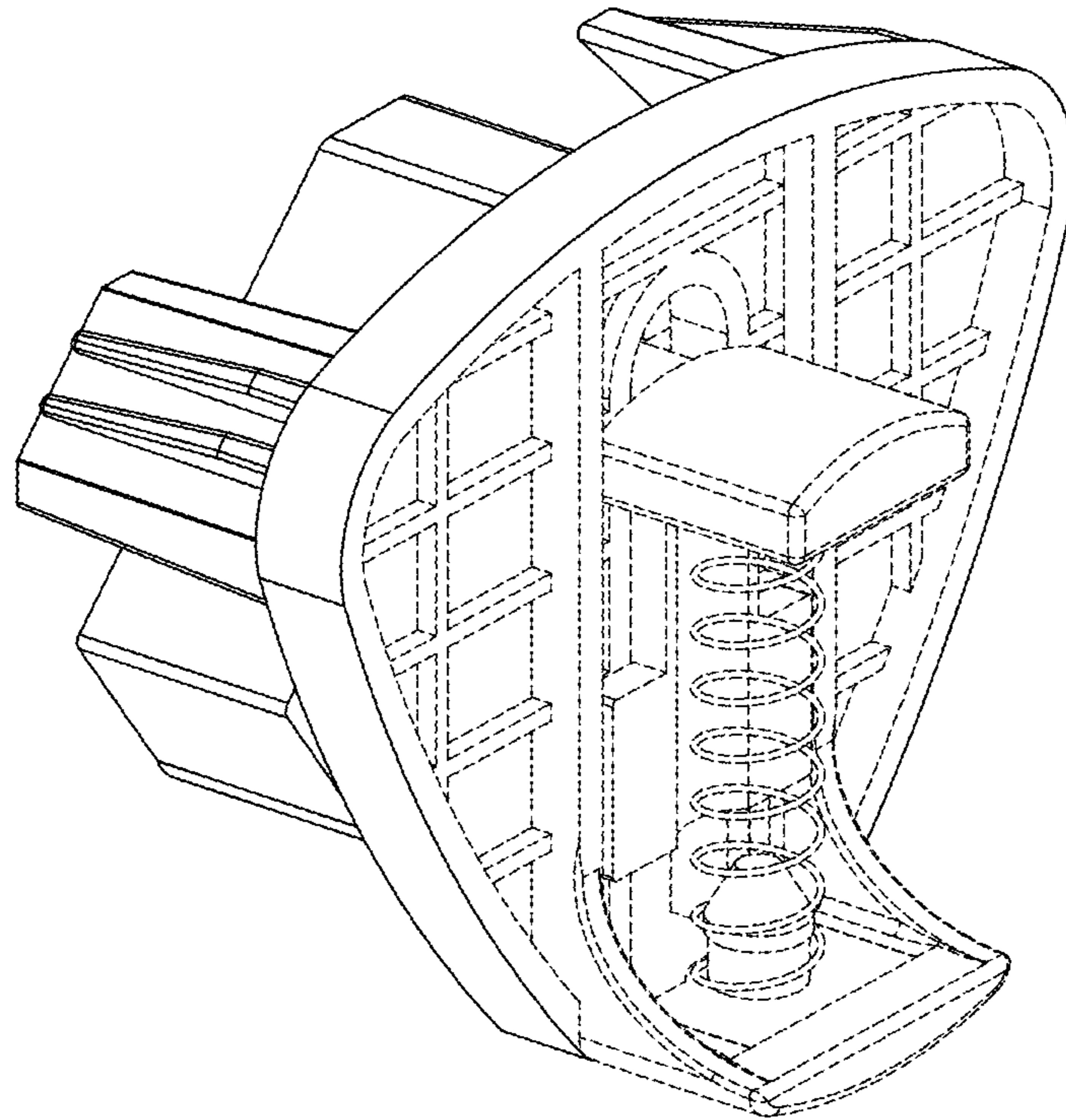


FIG. 2

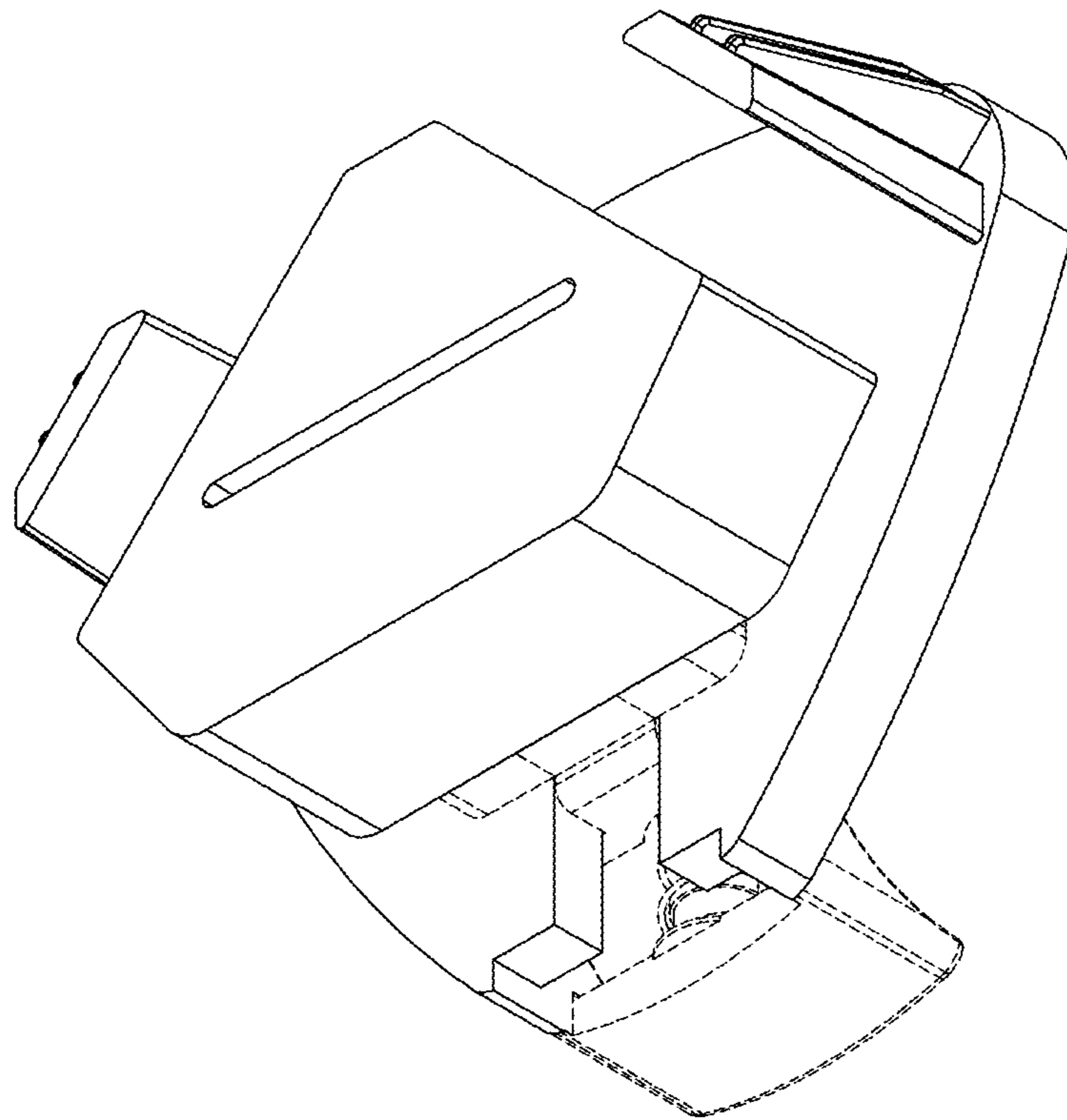


FIG. 3