



US00D950340S

(12) **United States Design Patent** (10) **Patent No.:** **US D950,340 S**
Fassezke et al. (45) **Date of Patent:** **** May 3, 2022**

(54) **CROWFOOT WRENCH ORGANIZER**

(71) Applicant: **Tekton, Inc.**, Grand Rapids, MI (US)

(72) Inventors: **Ethan D. Fassezke**, Grand Rapids, MI (US); **Devin L. Henige**, Grand Rapids, MI (US)

(73) Assignee: **Tekton, Inc.**, Grand Rapids, MI (US)

(**) Term: **15 Years**

(21) Appl. No.: **29/741,697**

(22) Filed: **Jul. 15, 2020**

(51) **LOC (13) Cl.** **08-05**

(52) **U.S. Cl.**
USPC **D8/71**

(58) **Field of Classification Search**
USPC D8/71, 380, 499
CPC . B25H 3/00; B25H 3/003; B25H 3/04; B25H 3/06

See application file for complete search history.

(56) **References Cited**

U.S. PATENT DOCUMENTS

5,535,881	A *	7/1996	Krivec	B25H 3/003 206/483
D813,638	S *	3/2018	Hsieh	D8/71
9,937,615	B1 *	4/2018	Winnard	B25H 3/04
D893,875	S *	8/2020	Hsieh	D8/71
D896,052	S *	9/2020	Hyma	D8/71
D897,802	S *	10/2020	Byars	D8/71
D909,842	S *	2/2021	Kukucka	D3/312
D915,856	S *	4/2021	Chen	D8/71
2005/0051446	A1 *	3/2005	Chen	B25H 3/04 206/349
2009/0218302	A1 *	9/2009	Winnard	B25H 3/003 211/70.6
2016/0031074	A1 *	2/2016	Su	B25H 3/04 206/349

2016/0121478 A1* 5/2016 Schein B25H 3/06
206/350

2017/0190046 A1* 7/2017 Winnard F28F 9/22
2017/0259425 A1* 9/2017 Kao B25H 3/003

(Continued)

OTHER PUBLICATIONS

“Snap-On Crowfoot Wrench Holder”, Sep. 12, 2010, GarageJournal.com, site visited Jan. 20, 2022: <https://www.garagejournal.com/forum/threads/snap-on-crowfoot-wrench-holder.75147/> (Year: 2010).*

(Continued)

Primary Examiner — Jack Reickel

Assistant Examiner — Michael A Kervin

(74) *Attorney, Agent, or Firm* — Warner Norcross + Judd LLP

(57) **CLAIM**

The ornamental design for a crowfoot wrench organizer, as shown and described.

DESCRIPTION

FIG. 1 is a perspective view of the crowfoot wrench organizer embodying the new design;

FIG. 2 is a top view thereof;

FIG. 3 is a bottom view thereof;

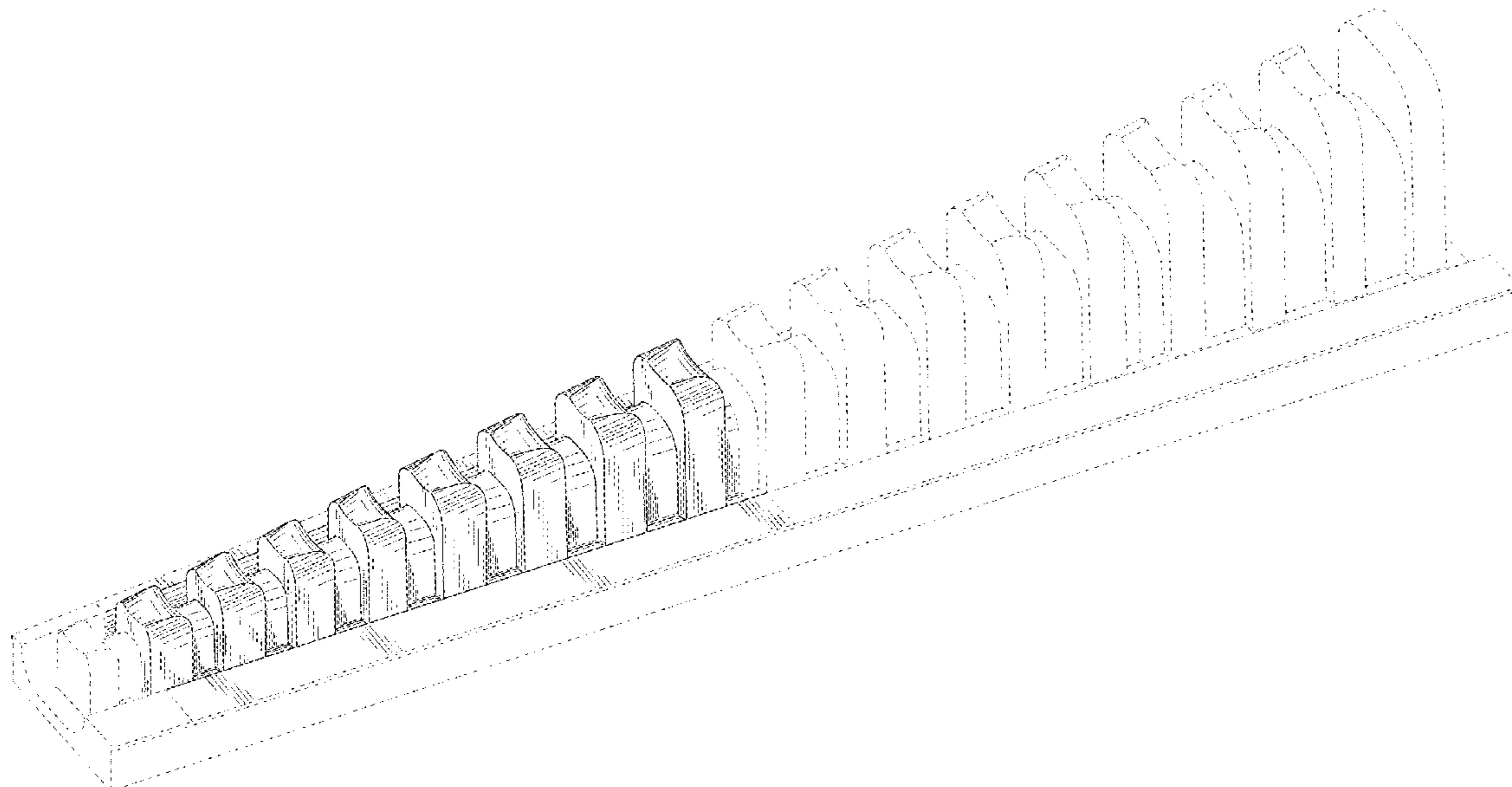
FIG. 4 is a right side view thereof, the left side being a mirror image of the right side;

FIG. 5 is a front view thereof, the front view being enlarged for clarity; and,

FIG. 6 is a rear view thereof, the rear view being enlarged for clarity.

The portion of the crowfoot wrench organizer forming the claimed design is shaded. FIGS. 1-6 show portions of the crowfoot wrench organizer in broken lines. The broken line portions form no part of the claimed design. The broken lines immediately adjacent to the shaded portion represent unclaimed boundaries of the claimed design.

1 Claim, 4 Drawing Sheets



(56)

References Cited

U.S. PATENT DOCUMENTS

2020/0053840 A1* 2/2020 Byars G06F 1/266
2021/0387323 A1* 12/2021 Chen B25H 3/003

OTHER PUBLICATIONS

“Toolbox Widget—Modular Wrench Organizer”, Sep. 7, 2018, Amazon.com, site visited Jan. 20, 2022: <https://www.amazon.com/Modular-Toolbox-Wrench-Organizer-1/dp/B07H6FJY9D> (Year: 2018).*
“TEKTON Crowfoot Wrench Organizer”, Jul. 14, 2021, Amazon.com, site visited Jan. 20, 2022: <https://www.amazon.com/TEKTON-13-Tool-Crowfoot-Organizer-ORG26113/dp/B099NXXRBHL> (Year: 2021).*

* cited by examiner

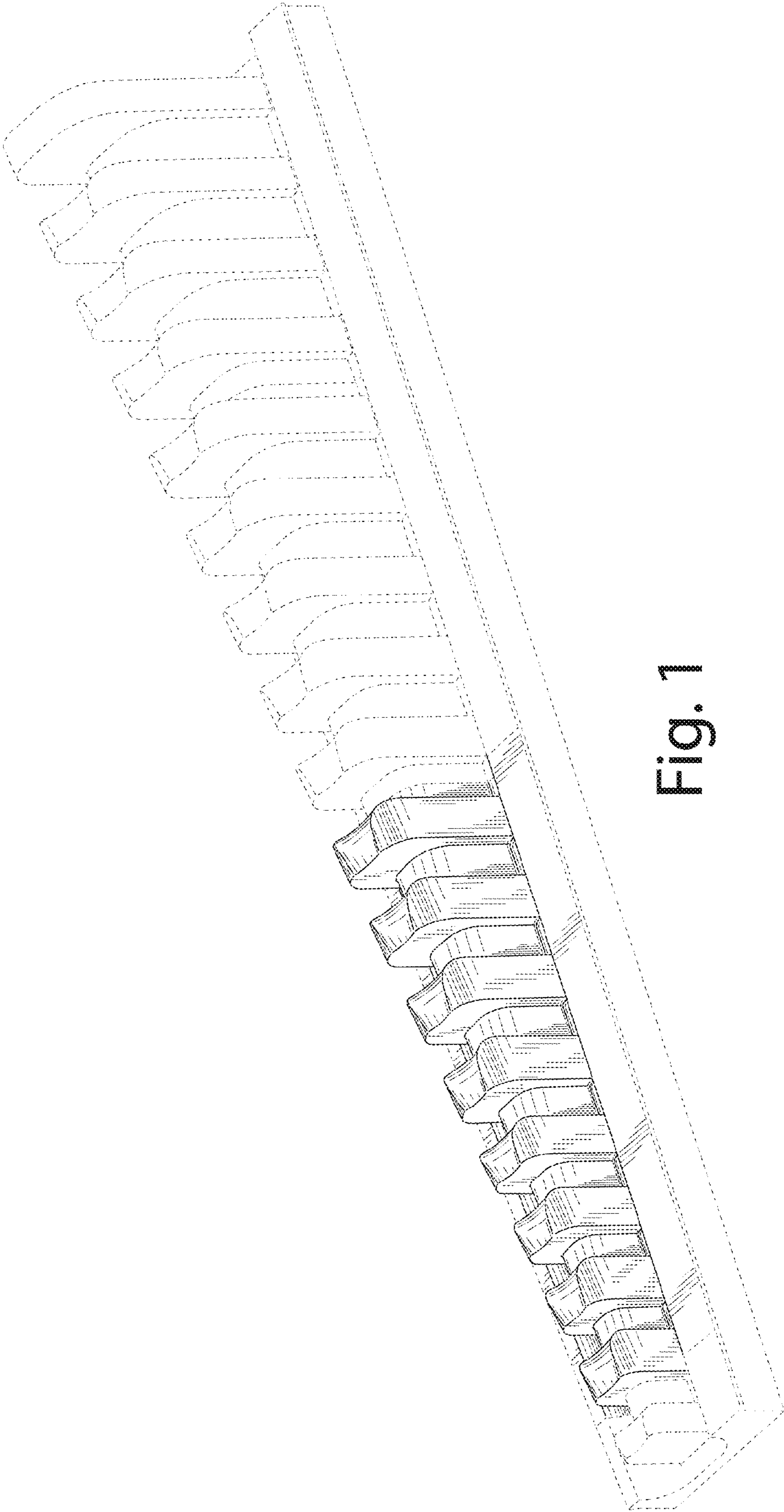


Fig. 1

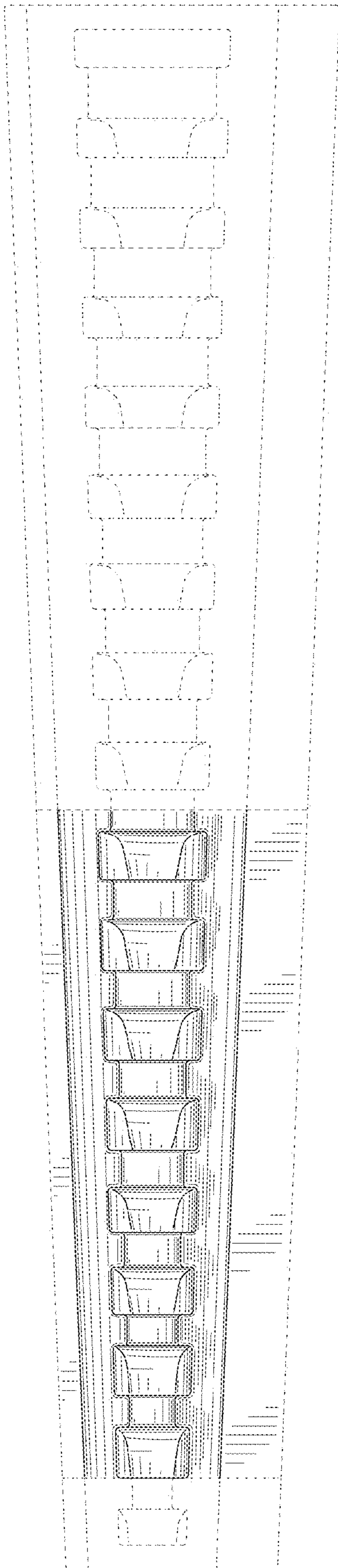


Fig. 2

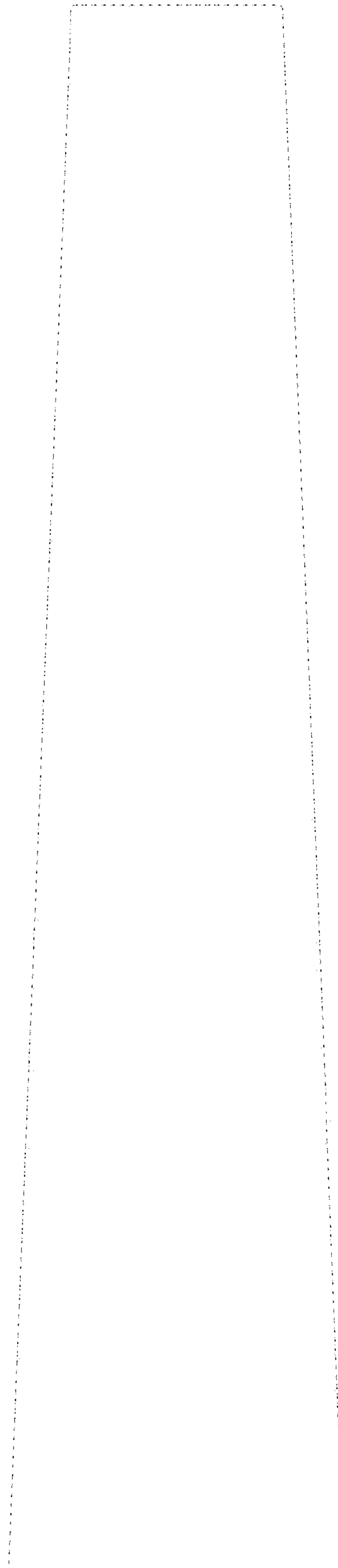


Fig. 3

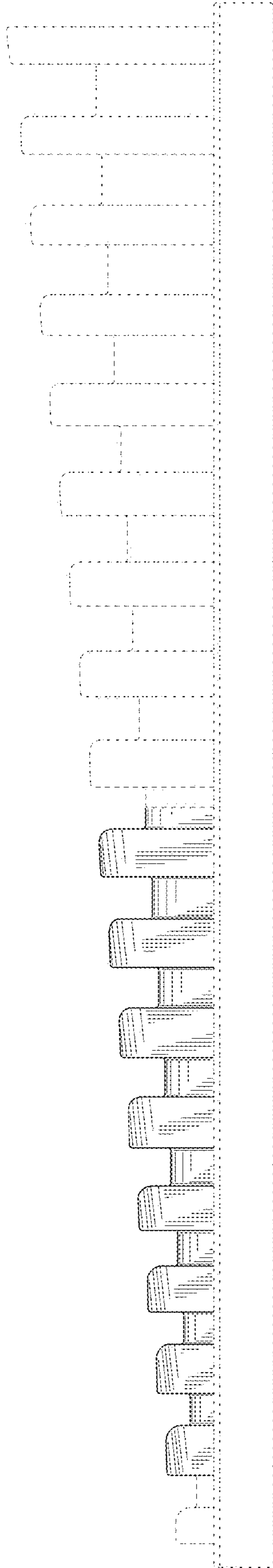


Fig. 4

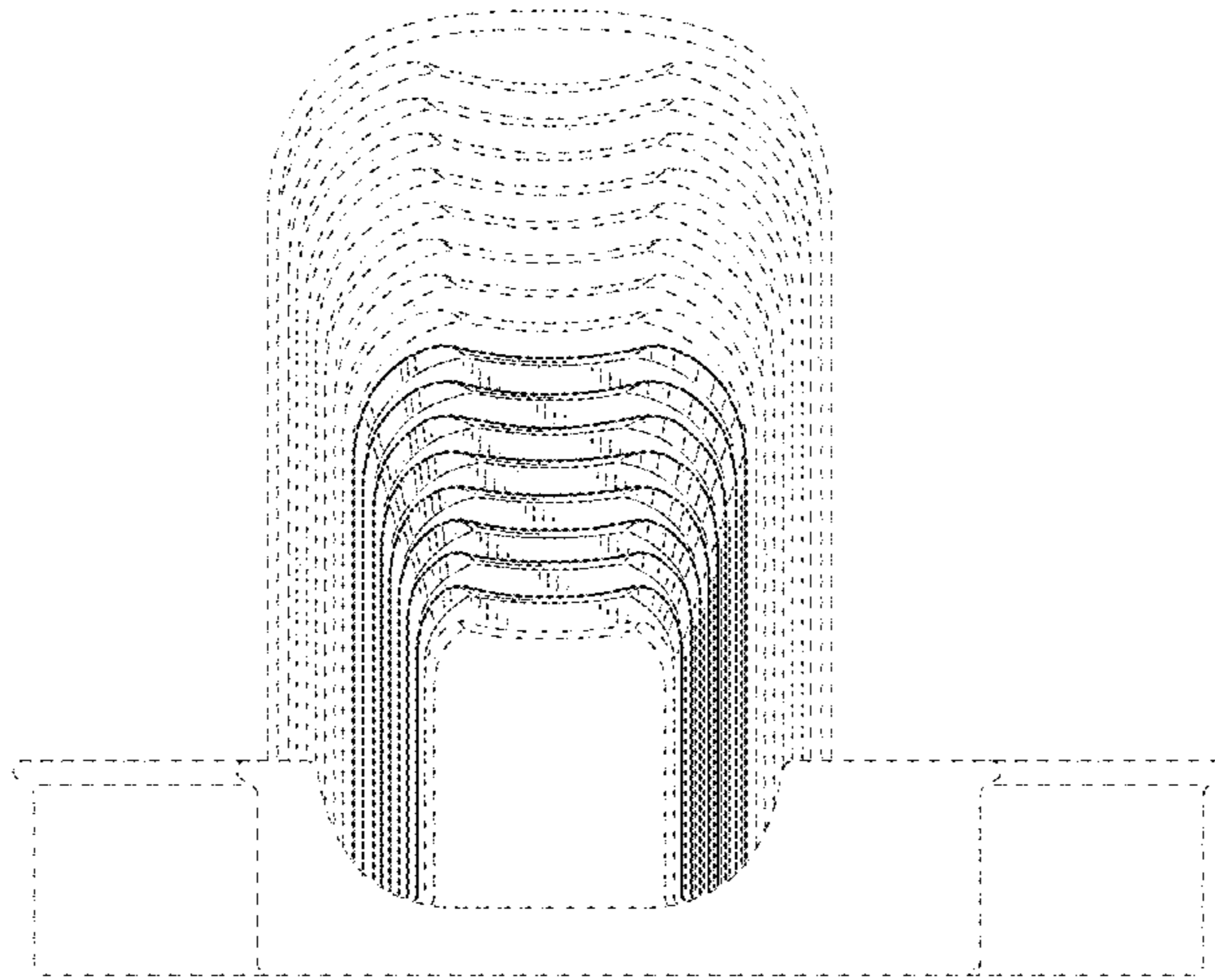


Fig. 5

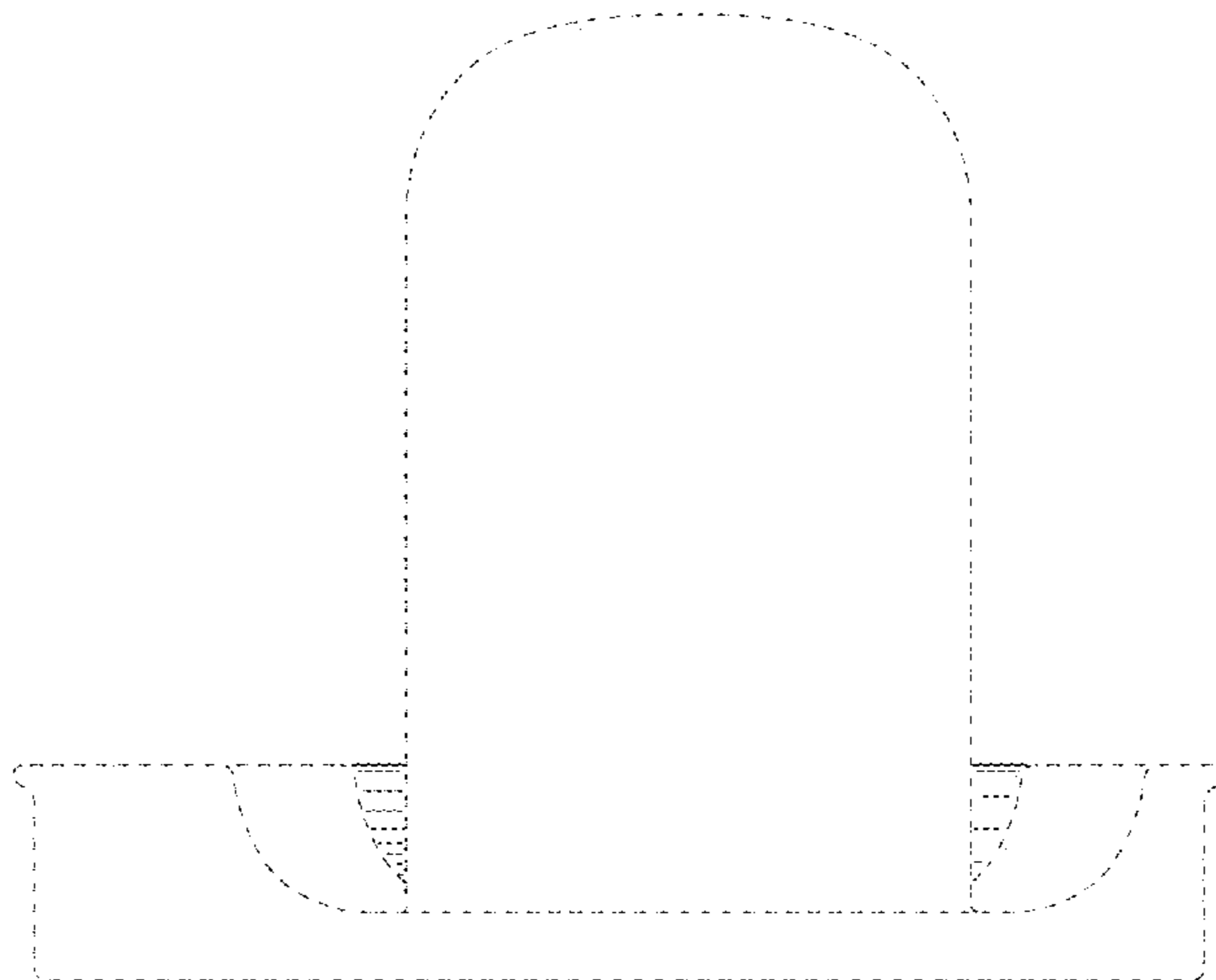


Fig. 6