



US00D950339S

(12) **United States Design Patent** (10) **Patent No.:** **US D950,339 S**
Xu (45) **Date of Patent:** **** May 3, 2022**

(54) **CORDLESS DRILL**
(71) Applicant: **Shenzhen JUEMEL Technology Co., Ltd, Shenzhen (CN)**
(72) Inventor: **Zhaoxiong Xu, Shenzhen (CN)**
(73) Assignee: **Shenzhen JUEMEL Technology Co., Ltd, Shenzhen (CN)**
(**) Term: **15 Years**
(21) Appl. No.: **29/741,612**
(22) Filed: **Jul. 14, 2020**
(51) **LOC (13) Cl.** **08-05**
(52) **U.S. Cl.**
USPC **D8/68**
(58) **Field of Classification Search**
USPC D8/61, 67, 68
CPC B62D 23/005; B62D 29/00; B62D 29/043;
B62D 31/00; B62D 33/046; B62D 35/00;
B62D 35/001; B60Q 1/0005
See application file for complete search history.

D608,173 S * 1/2010 Ng D8/68
D839,707 S * 2/2019 Waldron D8/68
D843,804 S * 3/2019 Croghan D8/68
D847,600 S * 5/2019 Waldron D8/68
D898,536 S * 10/2020 Li D8/68
D937,063 S * 11/2021 Kawase D8/68
2002/0096341 A1 * 7/2002 Hagan B25B 23/14
173/217
2002/0096343 A1 * 7/2002 Potter B25F 5/02
173/178
2005/0061524 A1 * 3/2005 Hagan B25F 5/02
173/217
2006/0096771 A1 * 5/2006 Brotto B25B 21/00
173/217

* cited by examiner

Primary Examiner — Darlington Ly
(74) *Attorney, Agent, or Firm* — Zhihua Han; Wen IP LLC

(57) **CLAIM**

I claim the ornamental design for a cordless drill, as shown and described.

DESCRIPTION

FIG. 1 is a front and right side perspective view of a cordless drill embodying my new design;
FIG. 2 is a front and left side perspective view thereof;
FIG. 3 is a rear and right side perspective view thereof;
FIG. 4 is a rear and left side perspective view thereof;
FIG. 5 is a bottom and right side perspective view thereof;
FIG. 6 is a bottom and left side perspective view thereof;
FIG. 7 is a front elevation view thereof;
FIG. 8 is a rear elevation view thereof;
FIG. 9 is a right side elevation view thereof;
FIG. 10 is a left side elevation view thereof;
FIG. 11 is a bottom plan view thereof; and,
FIG. 12 is a top plan view thereof.

1 Claim, 12 Drawing Sheets

(56) **References Cited**
U.S. PATENT DOCUMENTS

D359,215 S * 6/1995 Zurwelle D8/68
D402,871 S * 12/1998 Clowers D8/68
D435,414 S * 12/2000 Etter D8/68
D437,759 S * 2/2001 Breit D8/68
6,308,378 B1 * 10/2001 Mooty B23D 51/01
408/124
D482,253 S * 11/2003 Cooper D8/68
D501,384 S * 2/2005 Wright D8/68
D539,110 S * 3/2007 Okuda D8/68
D543,081 S * 5/2007 Watson D8/68
D559,061 S * 1/2008 Concari D8/68
D577,272 S * 9/2008 Murray D8/68
D587,544 S * 3/2009 Lopano D8/68
D589,317 S * 3/2009 Okuda D8/68





FIG. 1

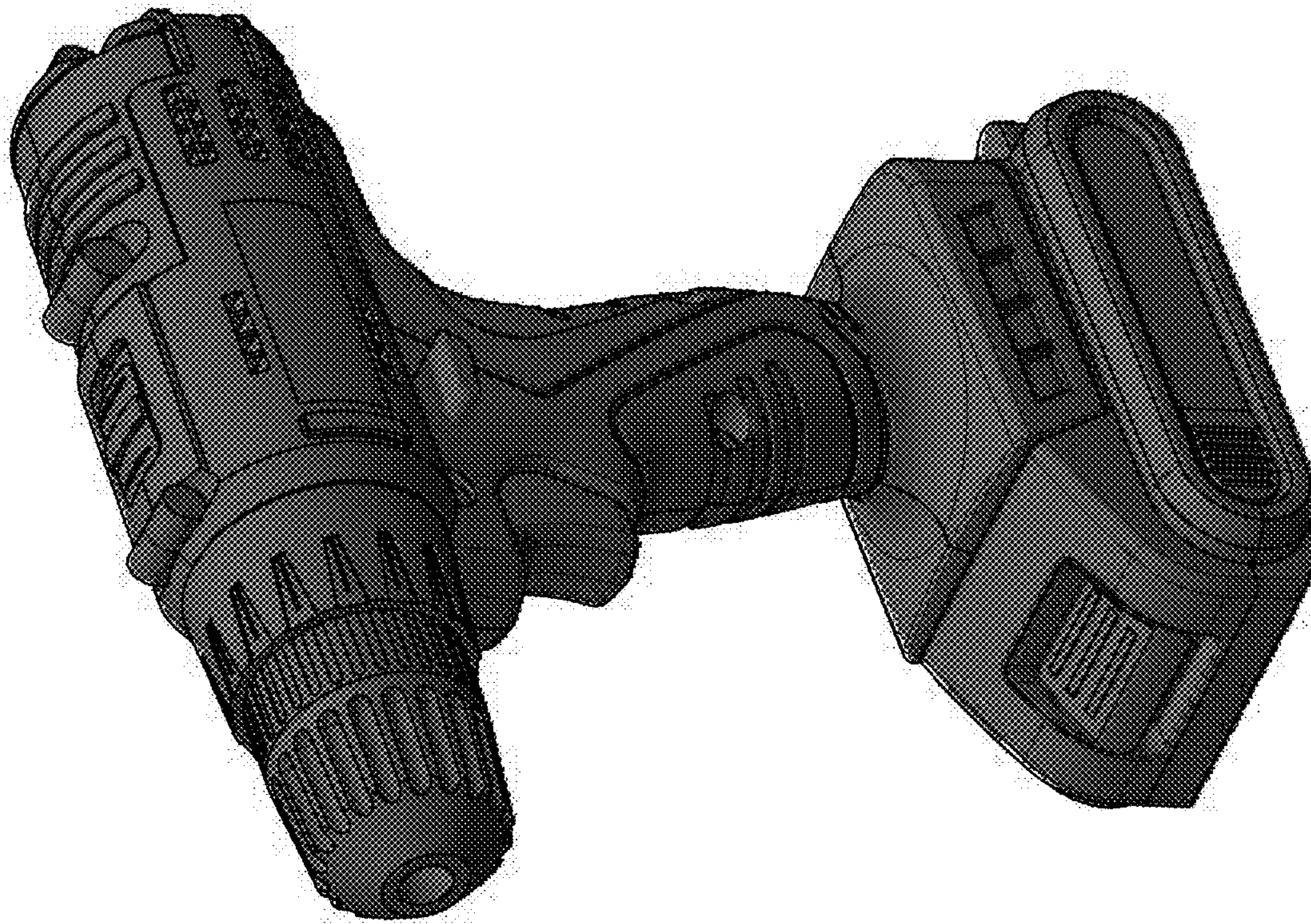


FIG. 2

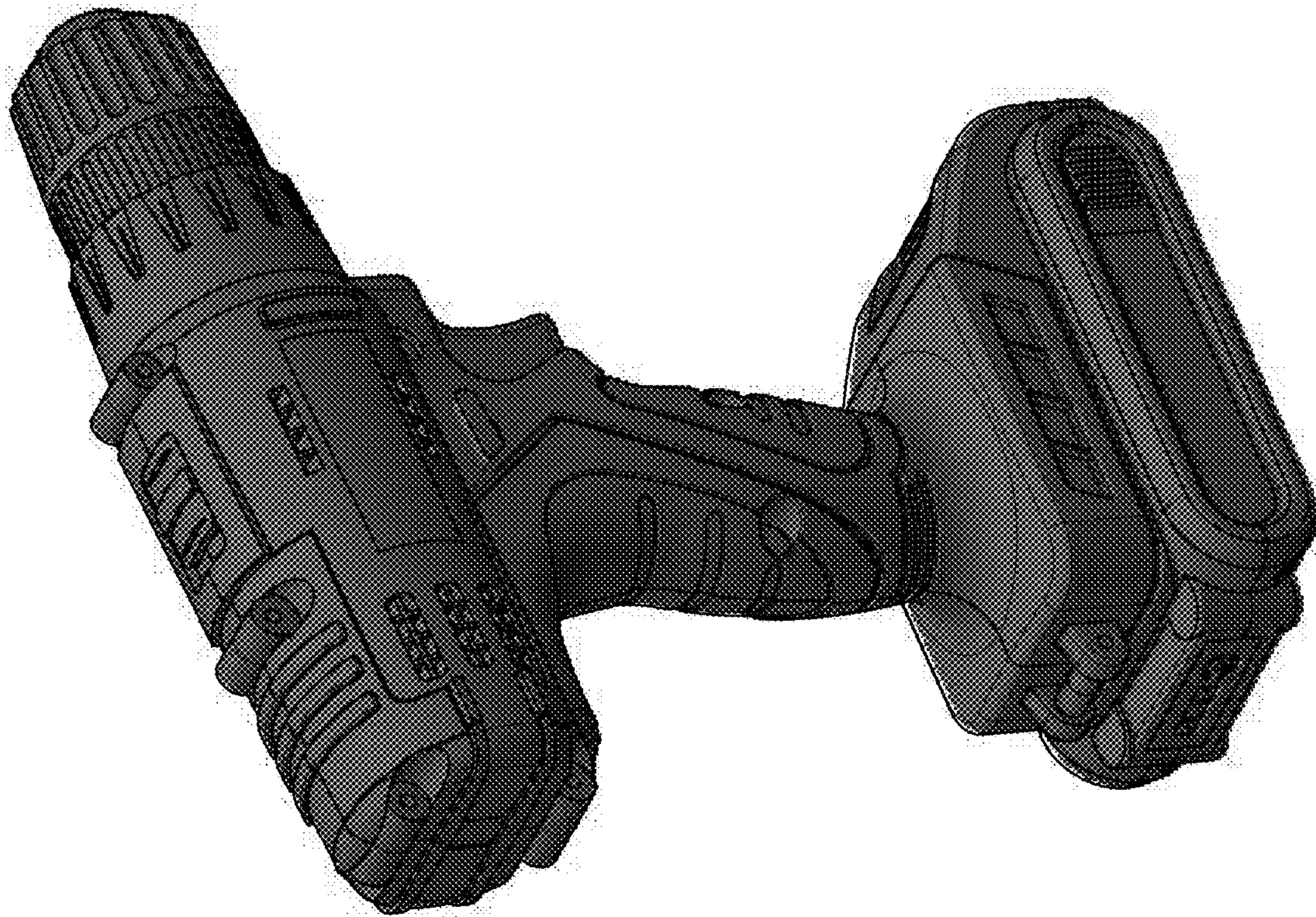


FIG. 3

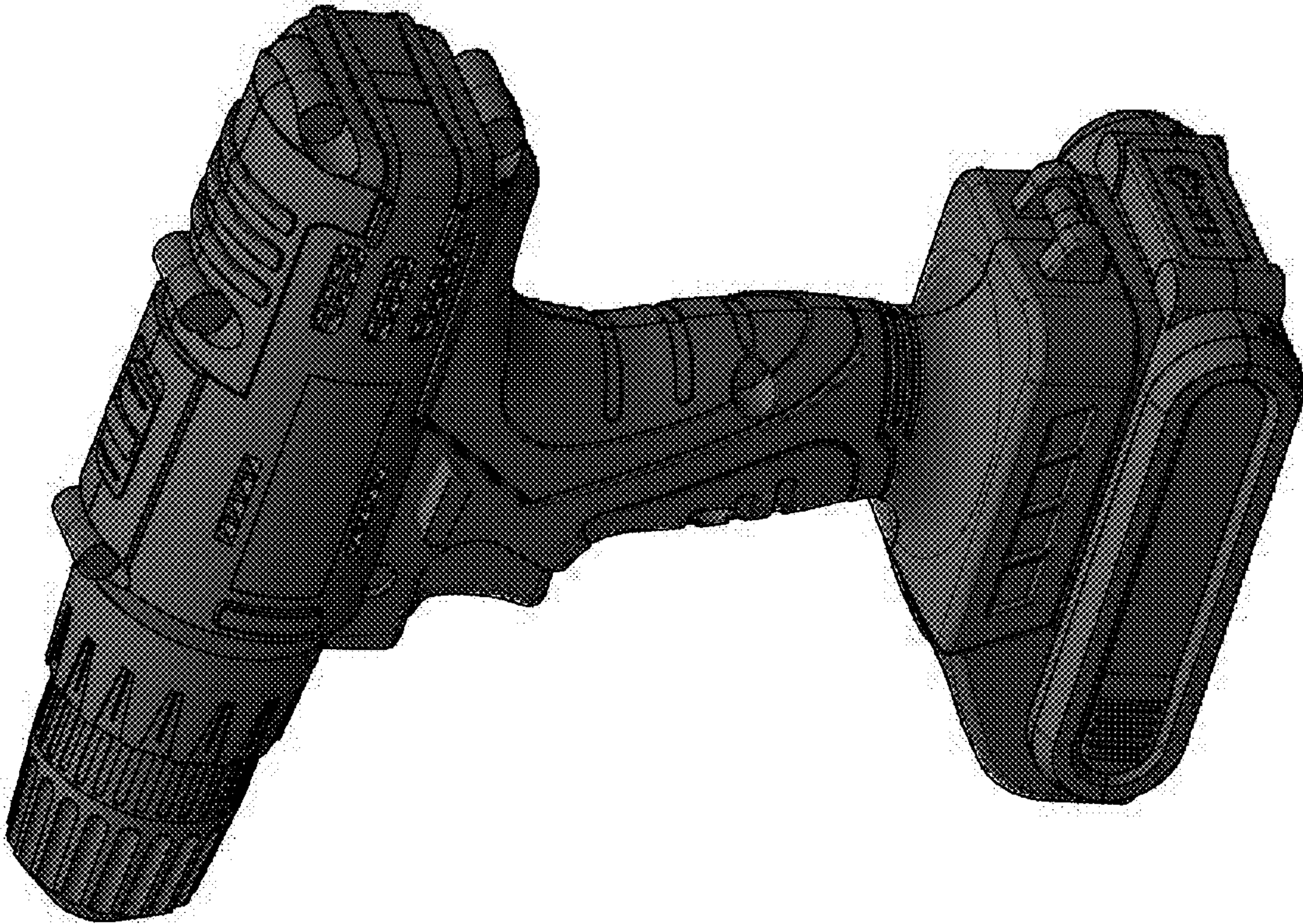


FIG. 4



FIG. 5

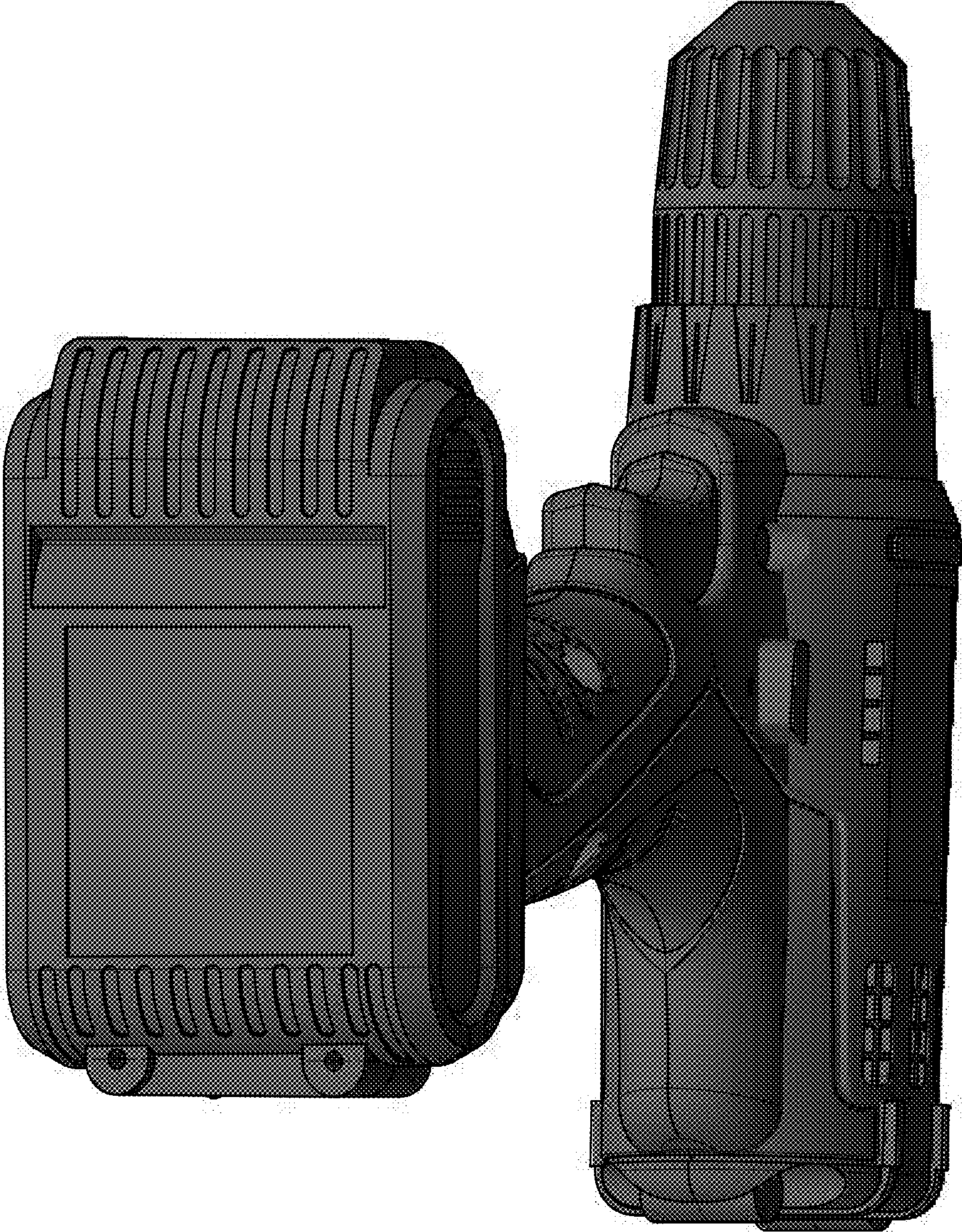


FIG. 6

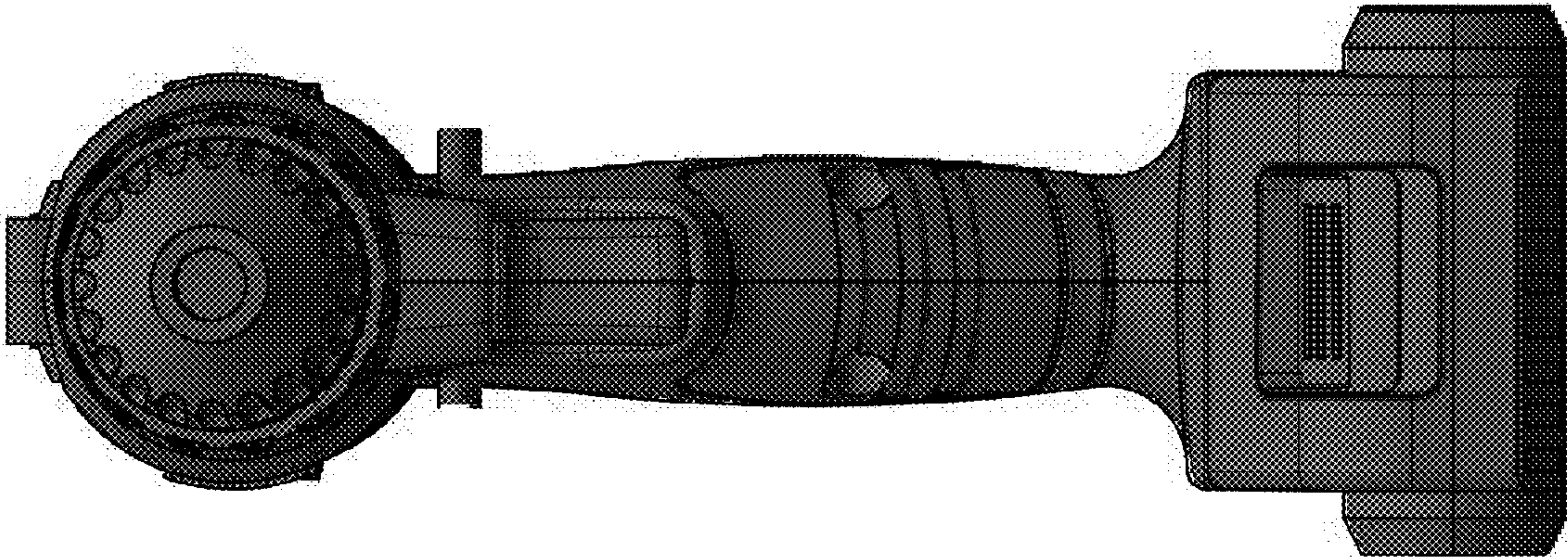


FIG. 7

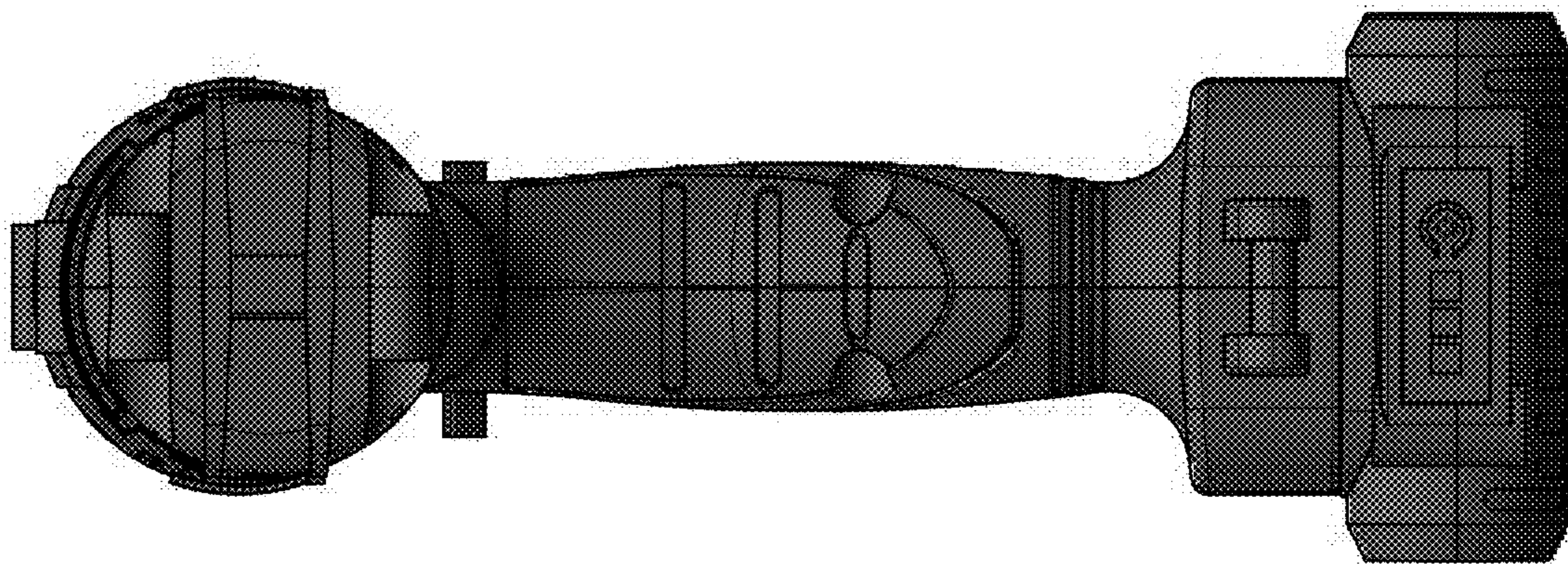


FIG. 8

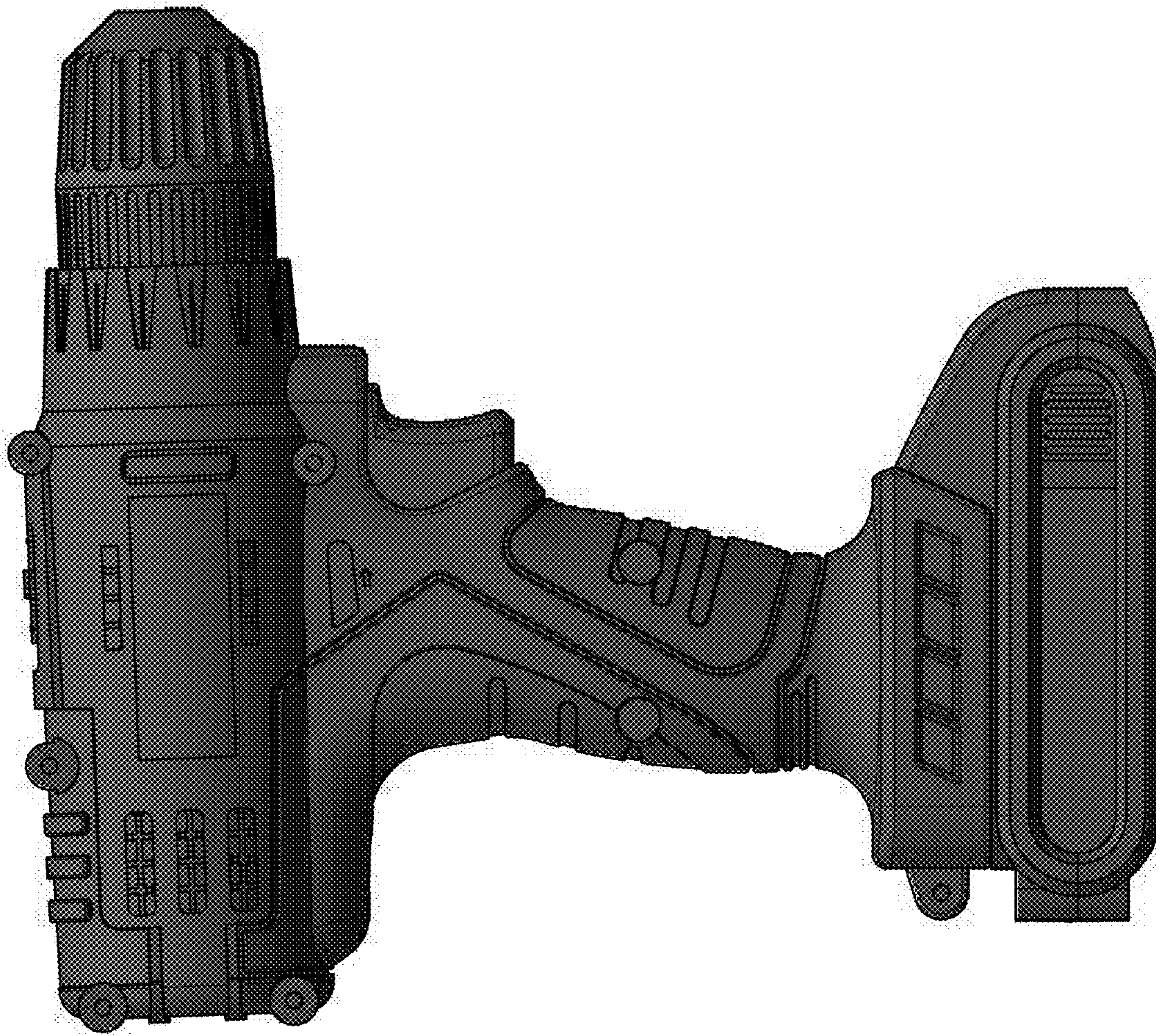


FIG. 9

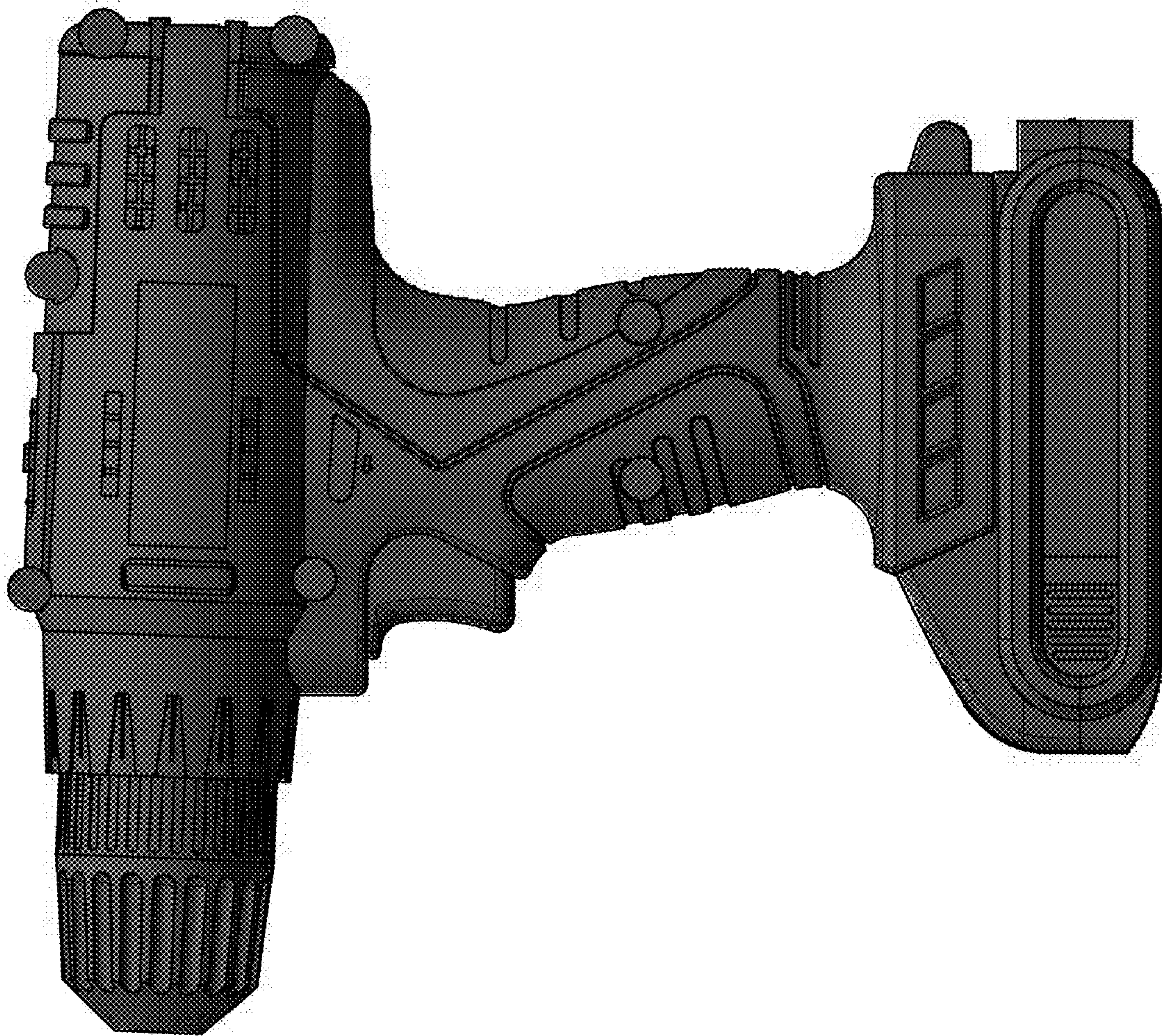


FIG. 10

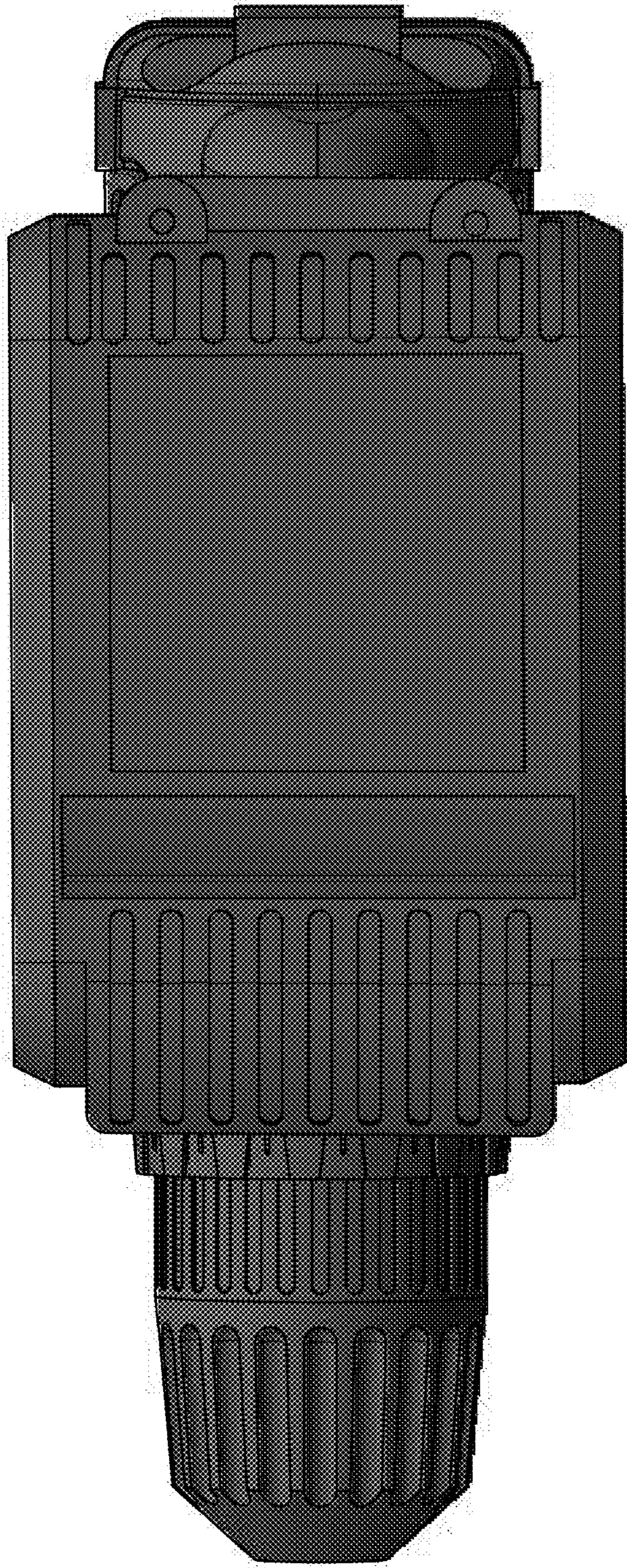


FIG. 11

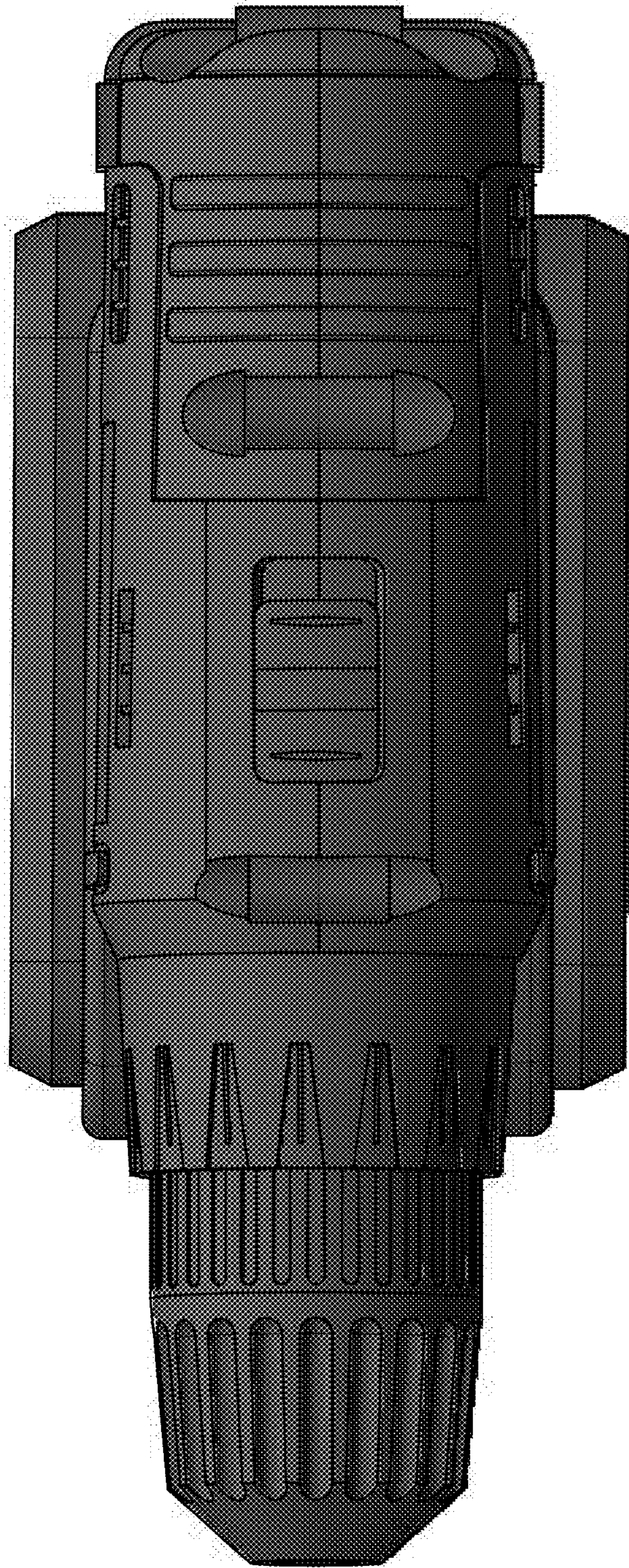


FIG. 12