



US00D950336S

(12) **United States Design Patent**
Chen

(10) **Patent No.:** **US D950,336 S**

(45) **Date of Patent:** **** May 3, 2022**

- (54) **ELECTRICIAN'S COMBINATION WIRE-WORKING PLIERS**
- (71) Applicant: **JS Products, Inc.**, Las Vegas, NV (US)
- (72) Inventor: **Chungeng Chen**, Las Vegas, NV (US)
- (73) Assignee: **JS Products, Inc.**, Las Vegas, NV (US)
- (**) Term: **15 Years**

4,028,756 A *	6/1977	Couto	H01R 43/042 7/107
4,223,439 A	9/1980	Rommel	
D275,363 S	9/1984	Ishida et al.	
D275,364 S	9/1984	Ishida et al.	
D324,628 S	3/1992	Ishida et al.	
D327,826 S *	7/1992	Neff	D8/52
D339,725 S	9/1993	Birkholz	
5,497,522 A	3/1996	Chen	
D369,534 S	5/1996	Liou	
5,526,570 A	6/1996	Beetz et al.	

(Continued)

- (21) Appl. No.: **29/707,429**
- (22) Filed: **Sep. 27, 2019**
- (51) **LOC (13) Cl.** **08-05**
- (52) **U.S. Cl.**
USPC **D8/52; D8/55**
- (58) **Field of Classification Search**
USPC D8/51-60
CPC B25F 1/003; B26B 13/16; B25B 7/02
See application file for complete search history.

Primary Examiner — Deanna L Pratt
(74) *Attorney, Agent, or Firm* — Weide & Miller, Ltd.

(57) **CLAIM**

The ornamental design for an electrician's combination wire-working pliers, as shown and described.

DESCRIPTION

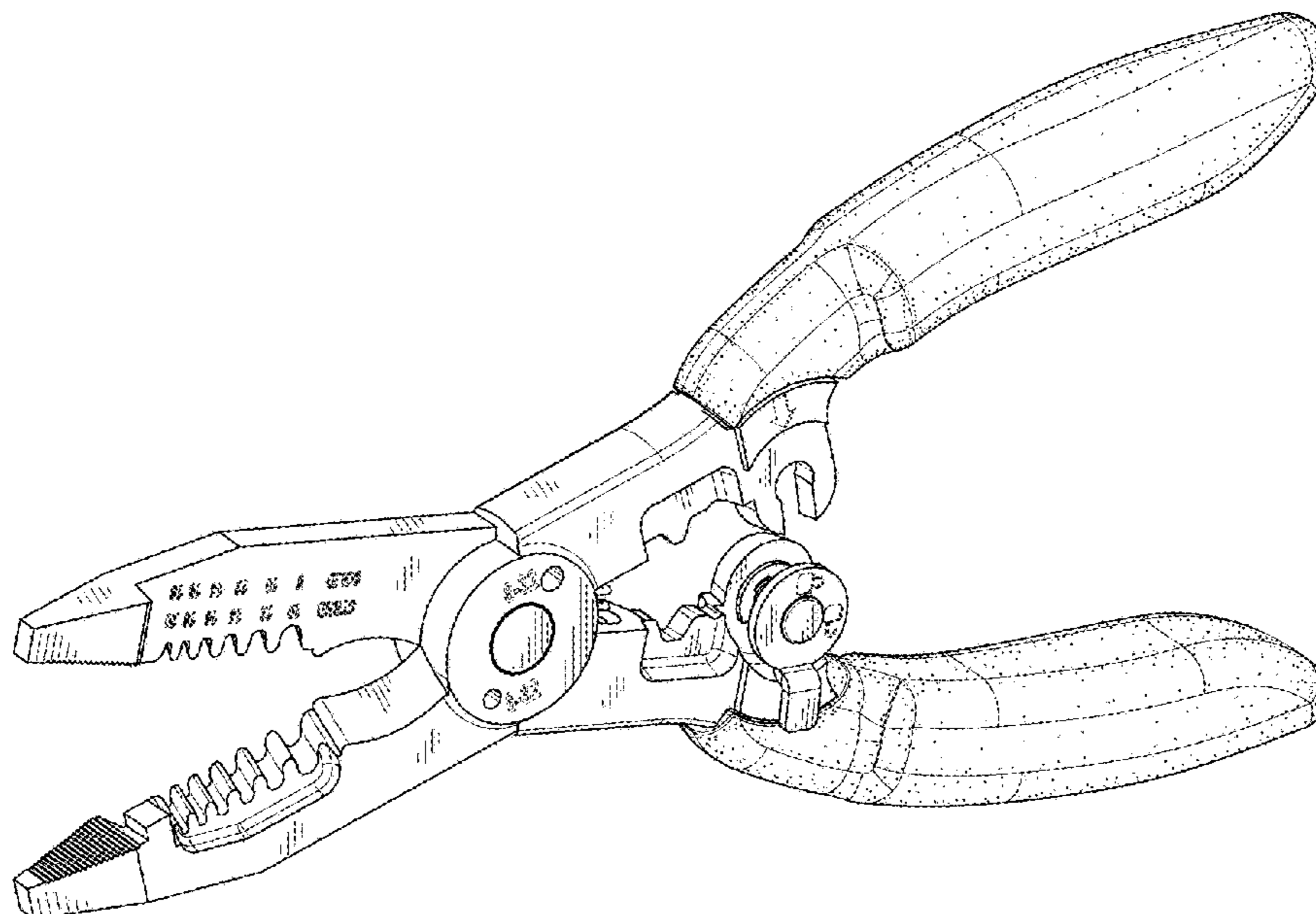
FIG. 1 is a front, top, left perspective view of an electrician's combination wire-working pliers showing the new design; FIG. 2 is a rear, top, right perspective view of the electrician's combination wire-working pliers shown in FIG. 1; FIG. 3 is a top view of the electrician's combination wire-working pliers shown in FIG. 1; FIG. 4 is a left-side view of the electrician's combination wire-working pliers shown in FIG. 1; FIG. 5 is a front view of the electrician's combination wire-working pliers shown in FIG. 1; FIG. 6 is a right-side view of the electrician's combination wire-working pliers shown in FIG. 1; FIG. 7 is a rear view of the electrician's combination wire-working pliers shown in FIG. 1; and, FIG. 8 is a bottom view of the electrician's combination wire-working pliers shown in FIG. 1. The broken lines indicate unclaimed portions of the article and form no part of the claimed design.

(56) **References Cited**

U.S. PATENT DOCUMENTS

1,398,904 A	11/1921	Loftus	
3,130,616 A	4/1964	Miller	
D213,848 S *	4/1969	Hindenburg	D8/58
D215,810 S *	11/1969	Hindenburg	D8/58
D218,141 S *	7/1970	Neff	D8/58
3,525,107 A *	8/1970	Scott	H01R 43/042 7/107
3,654,647 A *	4/1972	Neff	H02G 1/12 7/107
D223,561 S *	5/1972	Boyajian	D8/58
3,733,626 A	5/1973	Allen	
3,760,473 A	9/1973	Studdard	
3,777,323 A *	12/1973	Ingram	H02G 1/1214 7/107
3,831,207 A	8/1974	Boyajian	
3,947,905 A	4/1976	Neff	

1 Claim, 3 Drawing Sheets



(56)

References Cited

U.S. PATENT DOCUMENTS

D386,375 S	11/1997	Harris	D638,673 S	5/2011	Huang
5,711,182 A	1/1998	Vang	D638,674 S	5/2011	Huang
D392,519 S	3/1998	Hung	D642,877 S	8/2011	Bhasin
5,724,688 A	3/1998	Chen	8,079,150 B2	12/2011	Huang
5,842,371 A	12/1998	Liaw	D653,093 S	1/2012	Hedrick et al.
D421,376 S *	3/2000	Neff D8/58	8,176,814 B1	5/2012	Bernstein et al.
D426,755 S	6/2000	Wu	8,667,874 B2 *	3/2014	Steele B25B 7/14 81/318
6,098,225 A	8/2000	McIntosh et al.	8,800,411 B2	8/2014	Seemangal
D449,768 S	10/2001	Salazar et al.	D722,851 S	2/2015	Constantine et al.
D450,987 S	11/2001	Chien	9,003,930 B2	4/2015	Mitchell
D463,227 S	9/2002	Choi	D750,454 S	3/2016	Lambin
6,473,925 B1	11/2002	Konen	D750,455 S	3/2016	Wu
D472,433 S	4/2003	Richwine et al.	D755,599 S	5/2016	Payne
6,588,039 B1	7/2003	Bates	D799,916 S	10/2017	Sokka et al.
D485,146 S *	1/2004	Rivera D8/105	D801,771 S	11/2017	Wu
6,675,481 B2	1/2004	Wu	9,808,914 B2	11/2017	Wu
6,679,140 B1	1/2004	Flavigny	D827,403 S	9/2018	Fritz et al.
D486,361 S	2/2004	Wu	D828,737 S	9/2018	Constantine
6,687,991 B2	2/2004	Murg	D828,738 S *	9/2018	Constantine D8/52
6,708,587 B1	3/2004	Noniewicz et al.	10,130,042 B2	11/2018	Lin
D488,700 S	4/2004	Montague	10,376,982 B2	8/2019	Mizutani
D494,032 S	8/2004	Rivera	11,027,399 B2 *	6/2021	Hoppe B25B 7/02
D500,236 S	12/2004	Albert et al.	2004/0118251 A1	6/2004	Wilson et al.
D504,296 S	4/2005	Chen	2005/0035013 A1 *	2/2005	Bates B65D 73/0064 206/349
6,973,859 B2	12/2005	Noniewicz	2005/0188468 A1	9/2005	Crawford
7,039,973 B1	5/2006	Lehmann	2010/0095463 A1	4/2010	Yang
D547,139 S	7/2007	Shan	2012/0000019 A1	1/2012	Steele et al.
D571,624 S	6/2008	Huang	2018/0226775 A1	8/2018	Vigil
D585,251 S	1/2009	Lee et al.	2019/0058314 A1	2/2019	Murg
7,596,870 B2	10/2009	Kleeker et al.	2019/0160634 A1	5/2019	Chen
7,676,873 B1	3/2010	Simms	2019/0344404 A1	11/2019	Chen

* cited by examiner

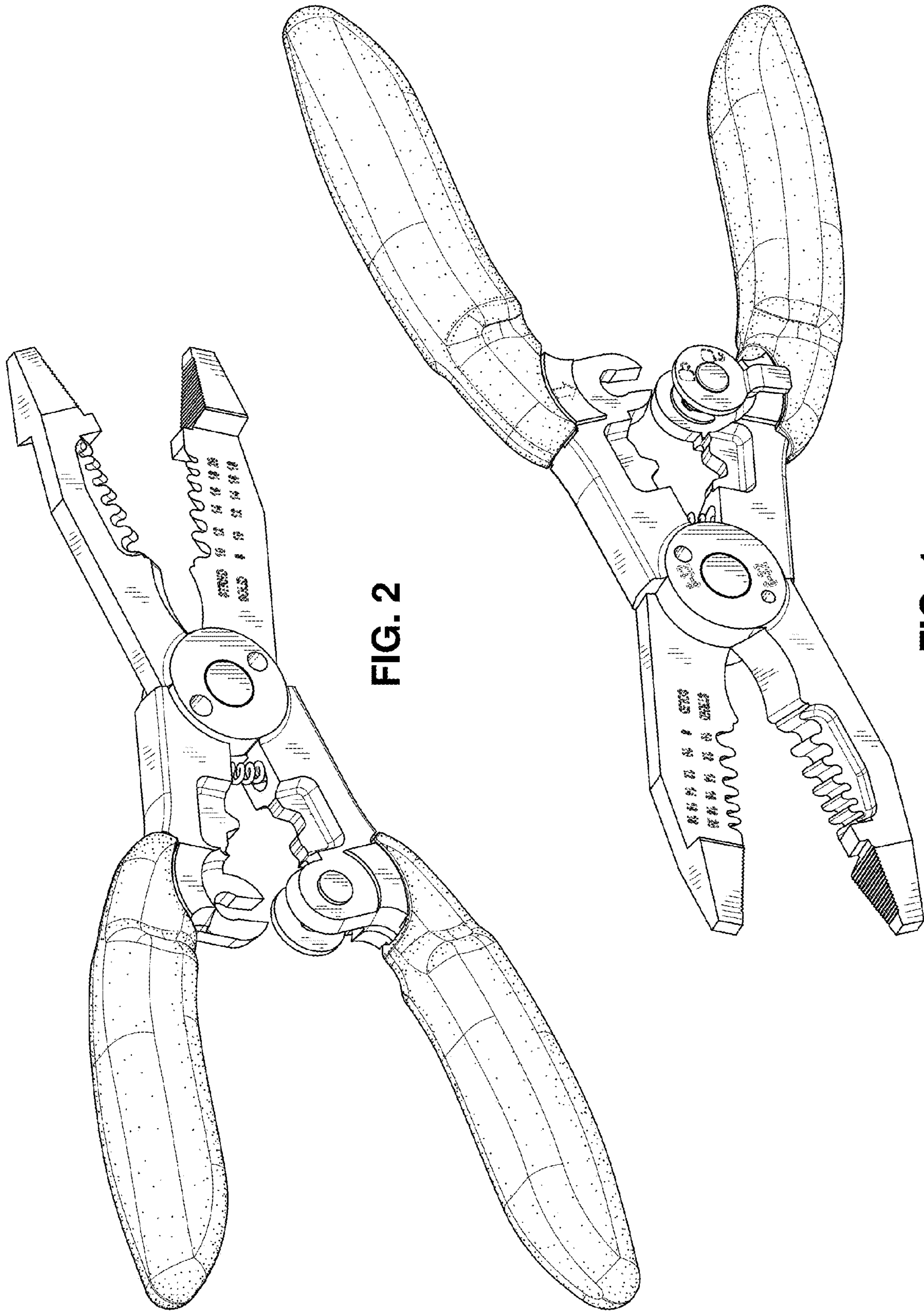


FIG. 2

FIG. 1

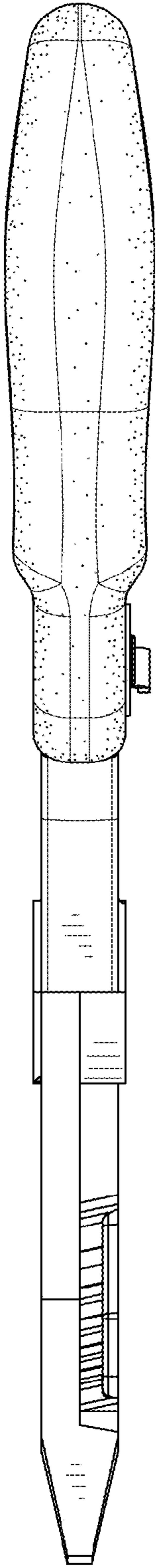


FIG. 3

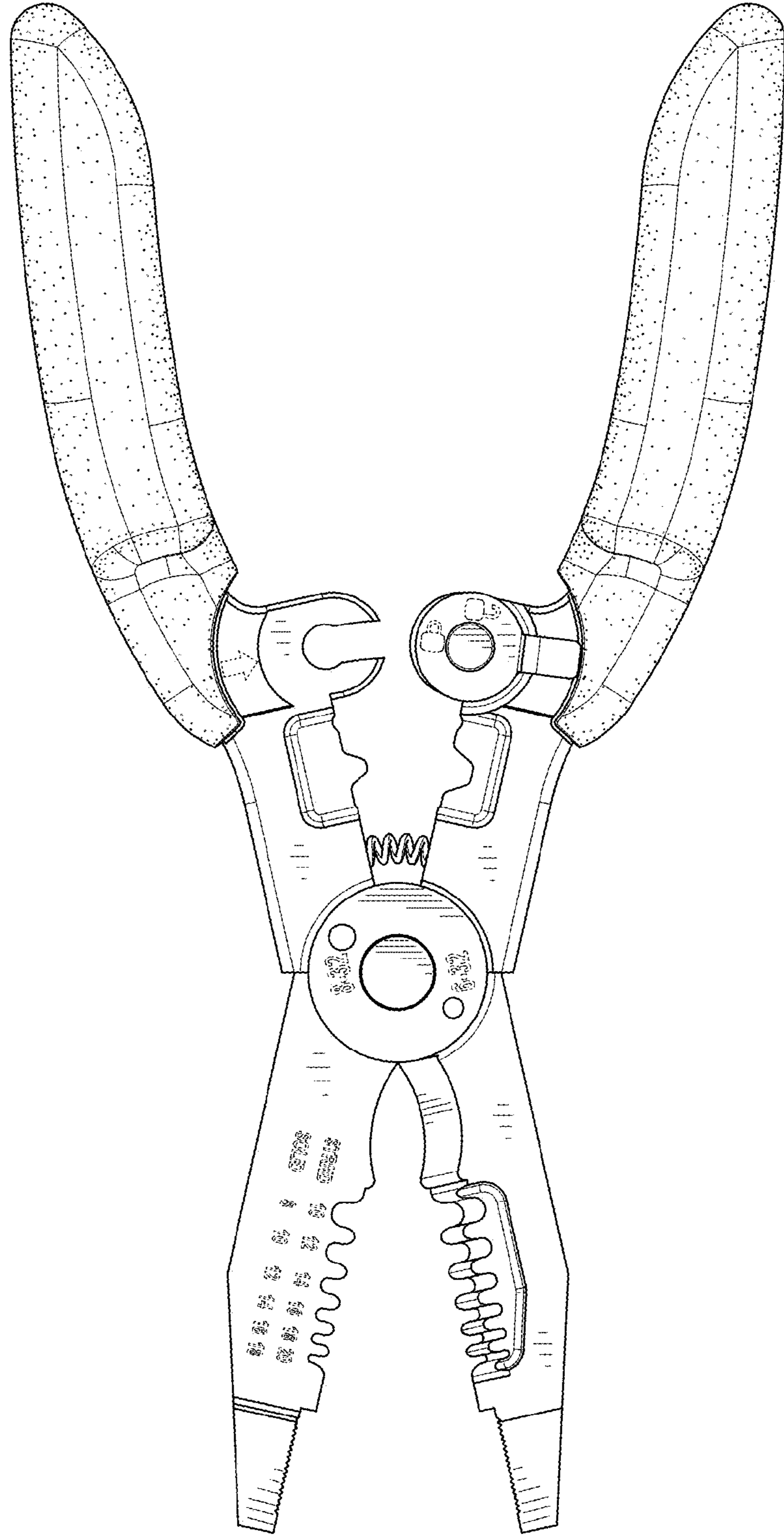


FIG. 5

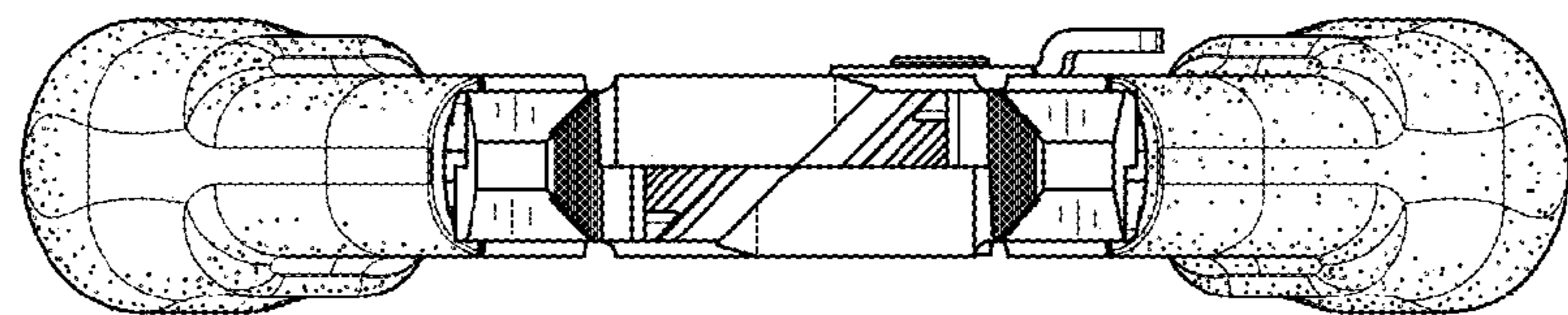


FIG. 4

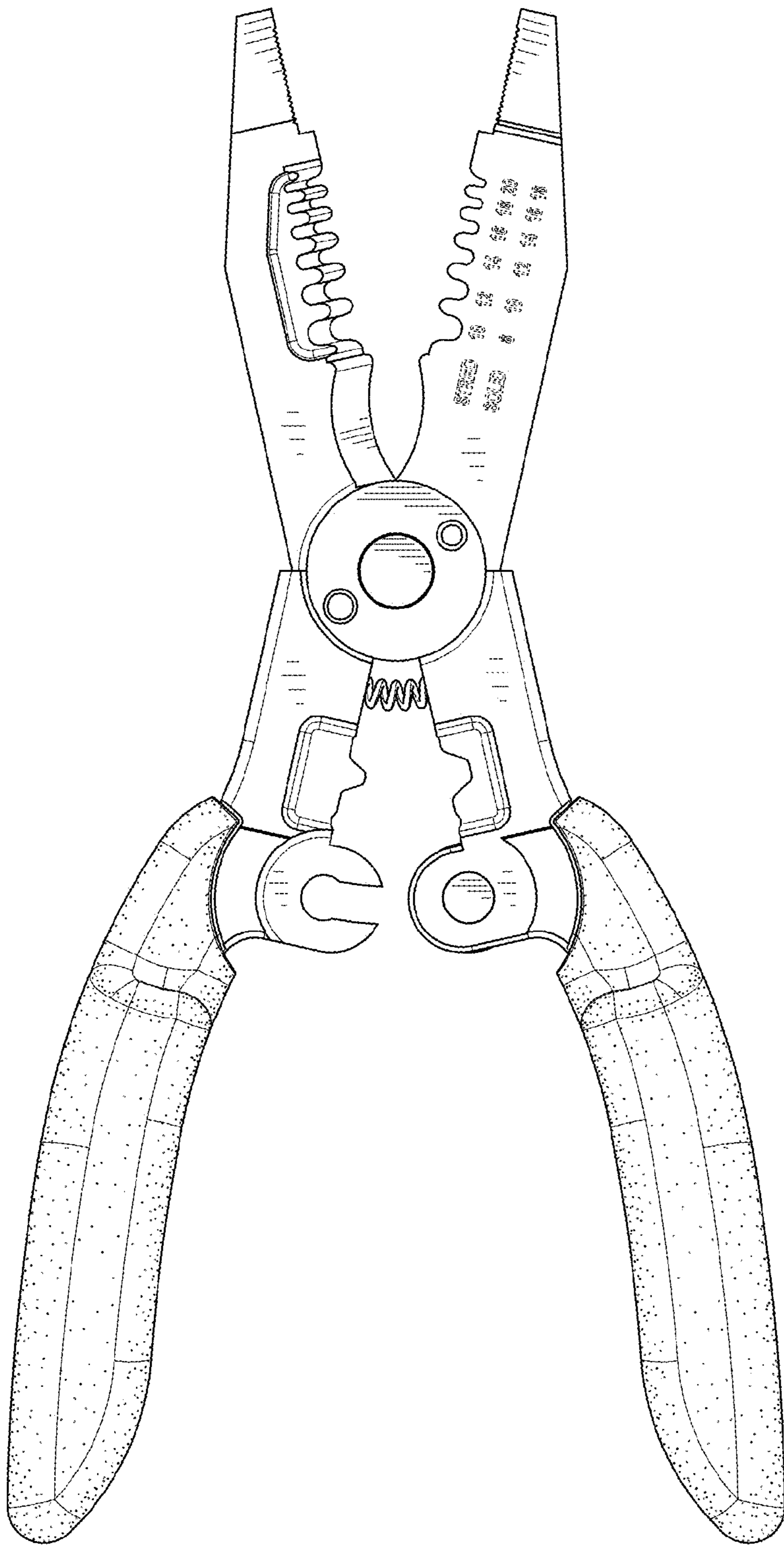


FIG. 7

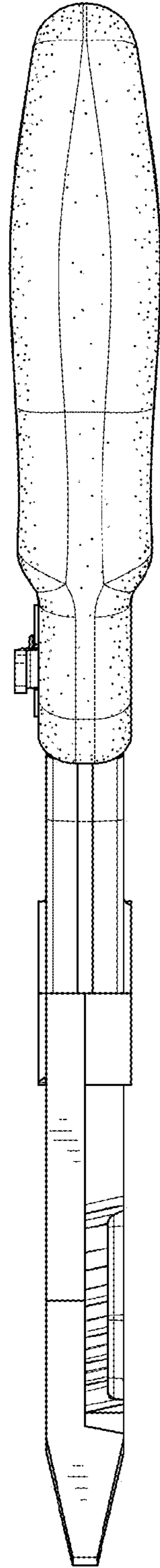


FIG. 8

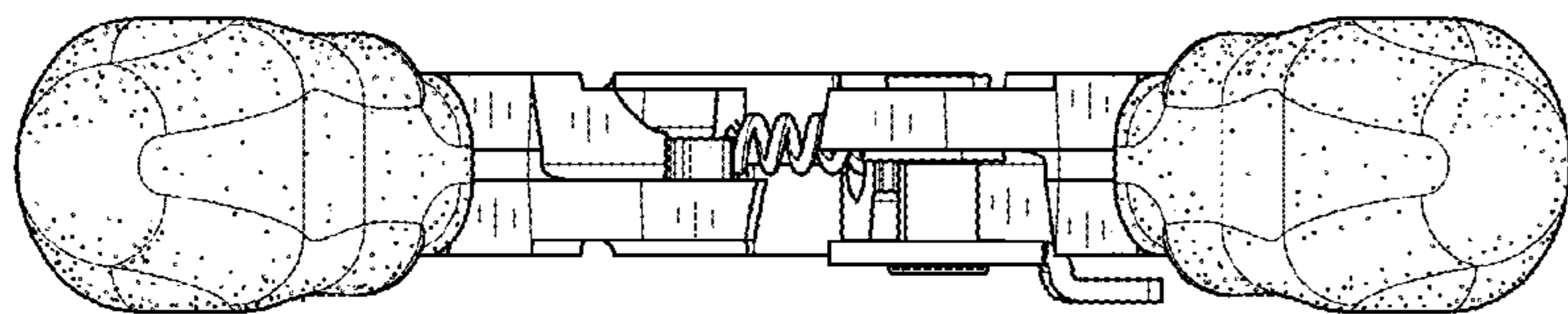


FIG. 6