



US00D950335S

(12) **United States Design Patent**  
**Gartz et al.**

(10) **Patent No.:** **US D950,335 S**  
(45) **Date of Patent:** **\*\* May 3, 2022**

(54) **FOOD PACKAGING CLOSURE DEVICE AND STAND**

(71) Applicant: **Marmon Foodservice Technologies, Inc.**, Osseo, MN (US)

(72) Inventors: **Mark Gartz**, Carol Stream, IL (US);  
**Glenn Schackmuth**, Oswego, IL (US);  
**Brian Smetana**, Downers Grove, IL (US);  
**Richard Bauer**, Palatine, IL (US)

(73) Assignee: **Marmon Foodservice Technologies, Inc.**, Osseo, MN (US)

(\*\*) Term: **15 Years**

(21) Appl. No.: **29/707,034**

(22) Filed: **Sep. 25, 2019**

(51) **LOC (13) Cl.** ..... **08-05**

(52) **U.S. Cl.**  
USPC ..... **D8/51**

(58) **Field of Classification Search**  
USPC ..... D8/14, 49, 50, 51-60

(Continued)

(56) **References Cited**

U.S. PATENT DOCUMENTS

D411,422 S \* 6/1999 Juhlin ..... D8/49  
D416,455 S \* 11/1999 Wai ..... D8/51

(Continued)

*Primary Examiner* — Deanna L Pratt

(74) *Attorney, Agent, or Firm* — Andrus Intellectual Property Law, LLP

(57) **CLAIM**

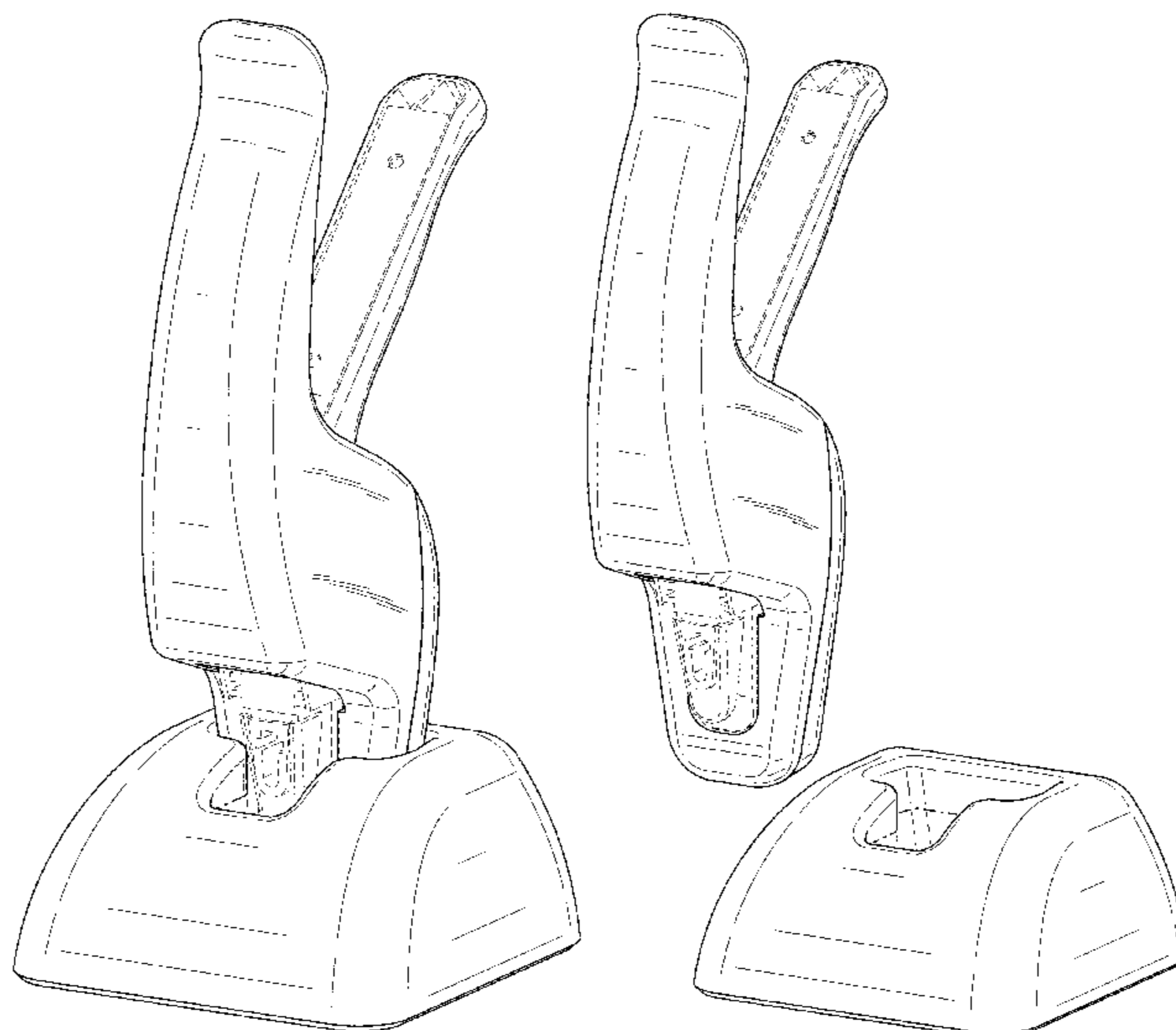
The ornamental design for a food packaging closure device and stand, as shown and described.

**DESCRIPTION**

FIG. 1 is a front perspective view an embodiment of the food packaging closure device and stand;

FIG. 2 is a back perspective view thereof;  
FIG. 3 is a front side view thereof;  
FIG. 4 is a back view thereof;  
FIG. 5 is a left side view thereof;  
FIG. 6 is a right side view thereof;  
FIG. 7 is a top view thereof; and  
FIG. 8 is a bottom view thereof.  
FIG. 9 is a front perspective view of the food packaging closure device and stand separated;  
FIG. 10 is a back perspective view thereof;  
FIG. 11 is a front view thereof;  
FIG. 12 is a back view thereof;  
FIG. 13 is a left view thereof;  
FIG. 14 is a right view thereof;  
FIG. 15 is a top view thereof; and  
FIG. 16 is a bottom view thereof.  
FIG. 17 is a front perspective view of the food packaging closure device;  
FIG. 18 is a back perspective view thereof;  
FIG. 19 is a front view thereof;  
FIG. 20 is a back view thereof;  
FIG. 21 is a left view thereof;  
FIG. 22 is a right view thereof;  
FIG. 23 is a top view thereof; and  
FIG. 24 is a bottom view thereof.  
FIG. 25 is a front perspective view of the stand for the food packaging closure device;  
FIG. 26 is a back perspective view thereof;  
FIG. 27 is a front view thereof;  
FIG. 28 is a back view thereof;  
FIG. 29 is a left view thereof;  
FIG. 30 is a right view thereof;  
FIG. 31 is a top view thereof; and  
FIG. 32 is a bottom view thereof.  
The boundary line and broken line showing of various portions and other elements in the Figures are for the purpose of illustrating unclaimed portions and form no part of the claimed design.

**1 Claim, 28 Drawing Sheets**



(58) **Field of Classification Search**

CPC ..... B65B 51/146; B65B 51/148  
See application file for complete search history.

(56) **References Cited**

U.S. PATENT DOCUMENTS

D457,411	S	*	5/2002	Liversidge	.....	D8/51
D480,936	S	*	10/2003	Ahlgren	.....	D8/52
D519,345	S	*	4/2006	Kameda	.....	D8/49
D592,473	S	*	5/2009	Storm	.....	D8/52
D674,261	S	*	1/2013	Aoi	.....	D8/50
D704,017	S	*	5/2014	Matsushita	.....	D8/49
D713,230	S	*	9/2014	Chuang	.....	D8/49
11,084,244	B2	*	8/2021	Maslana	.....	B65B 61/18
2013/0190156	A1	*	7/2013	Matsukawa	.....	B25C 5/0214 493/351

\* cited by examiner

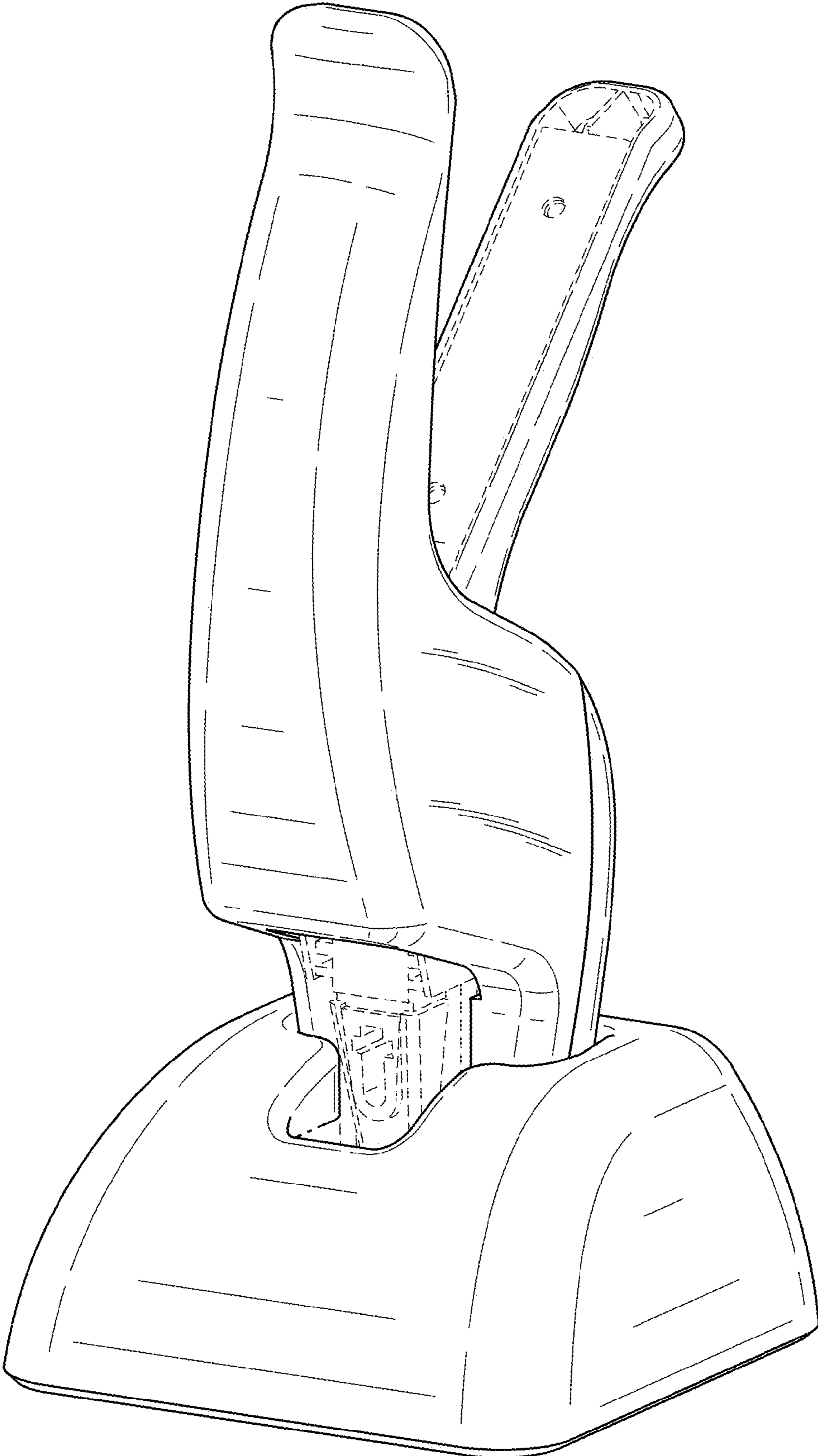


FIG. 1



FIG. 2

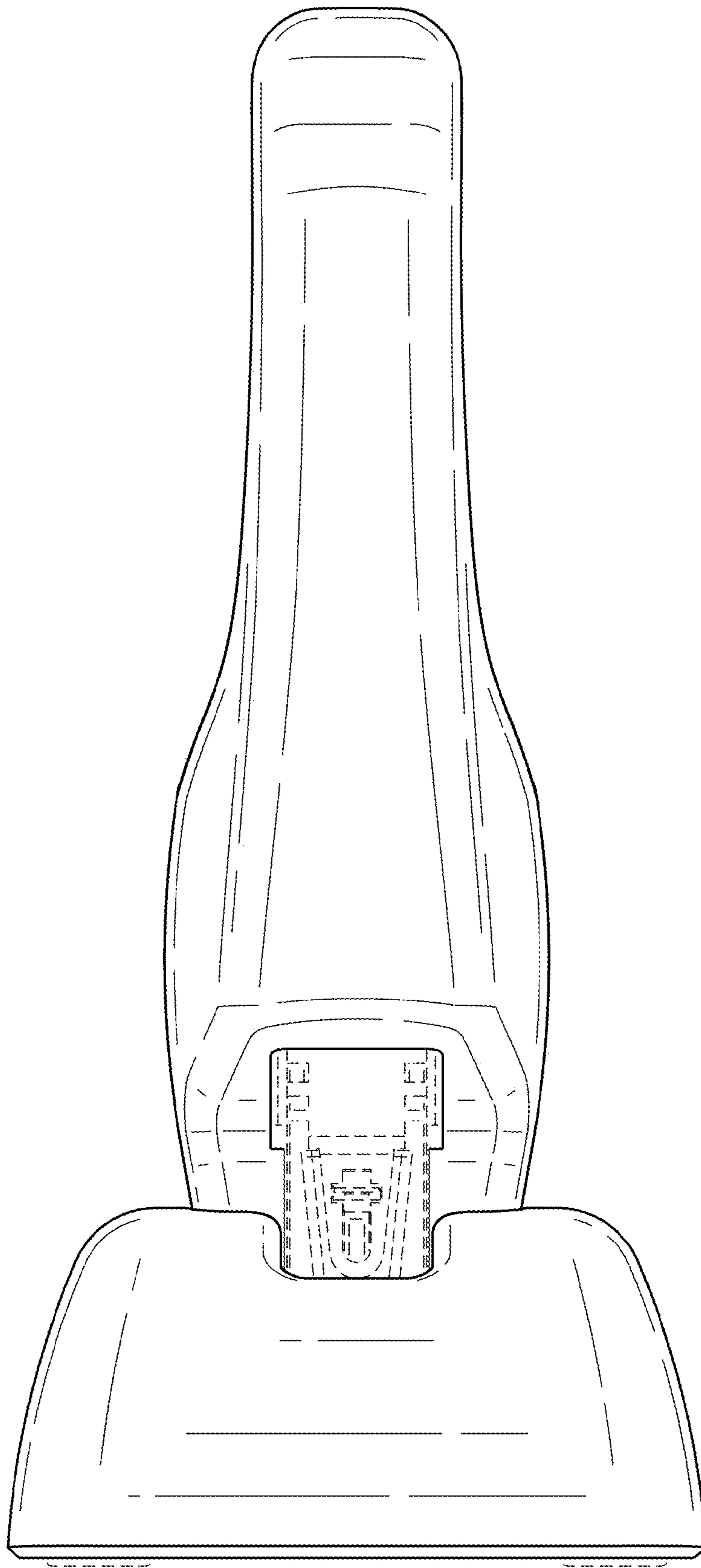


FIG. 3

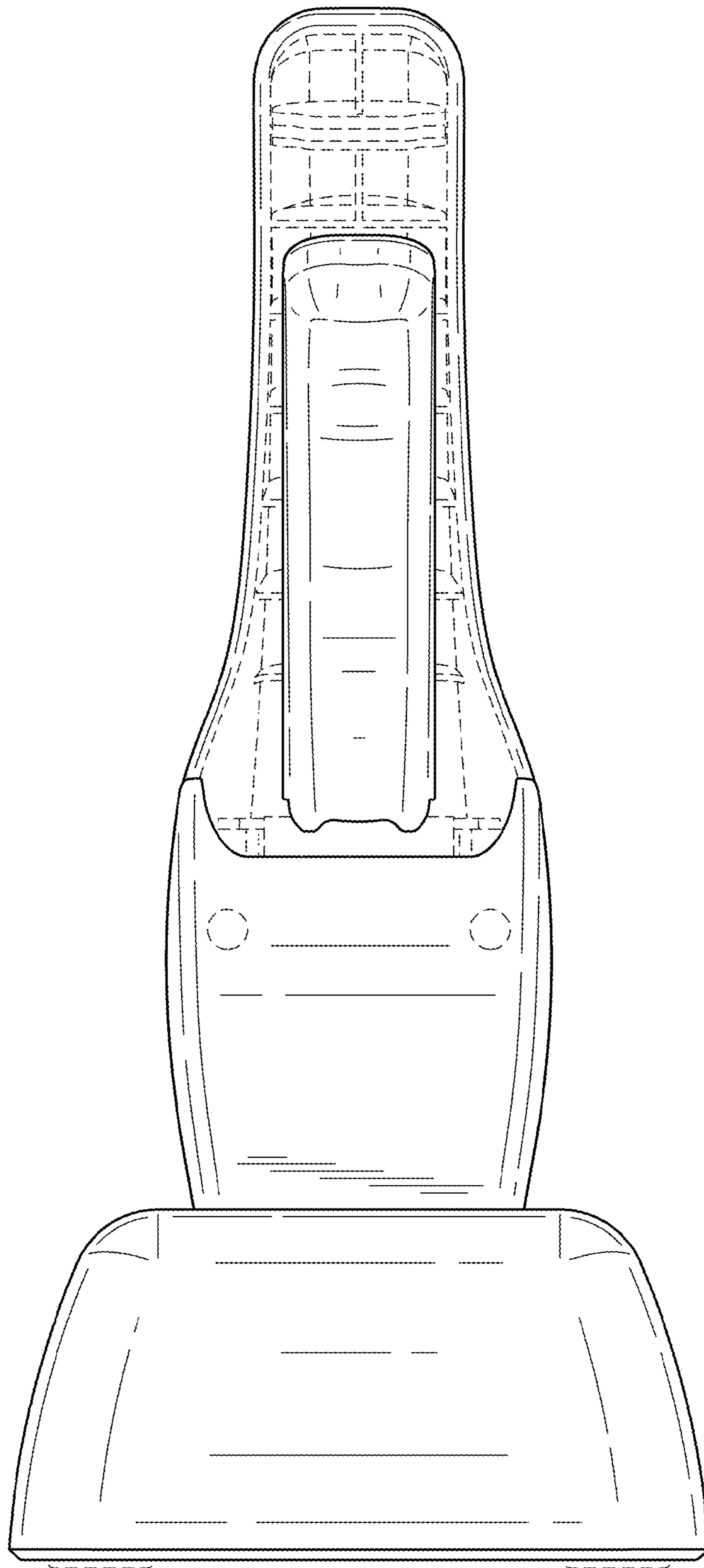


FIG. 4

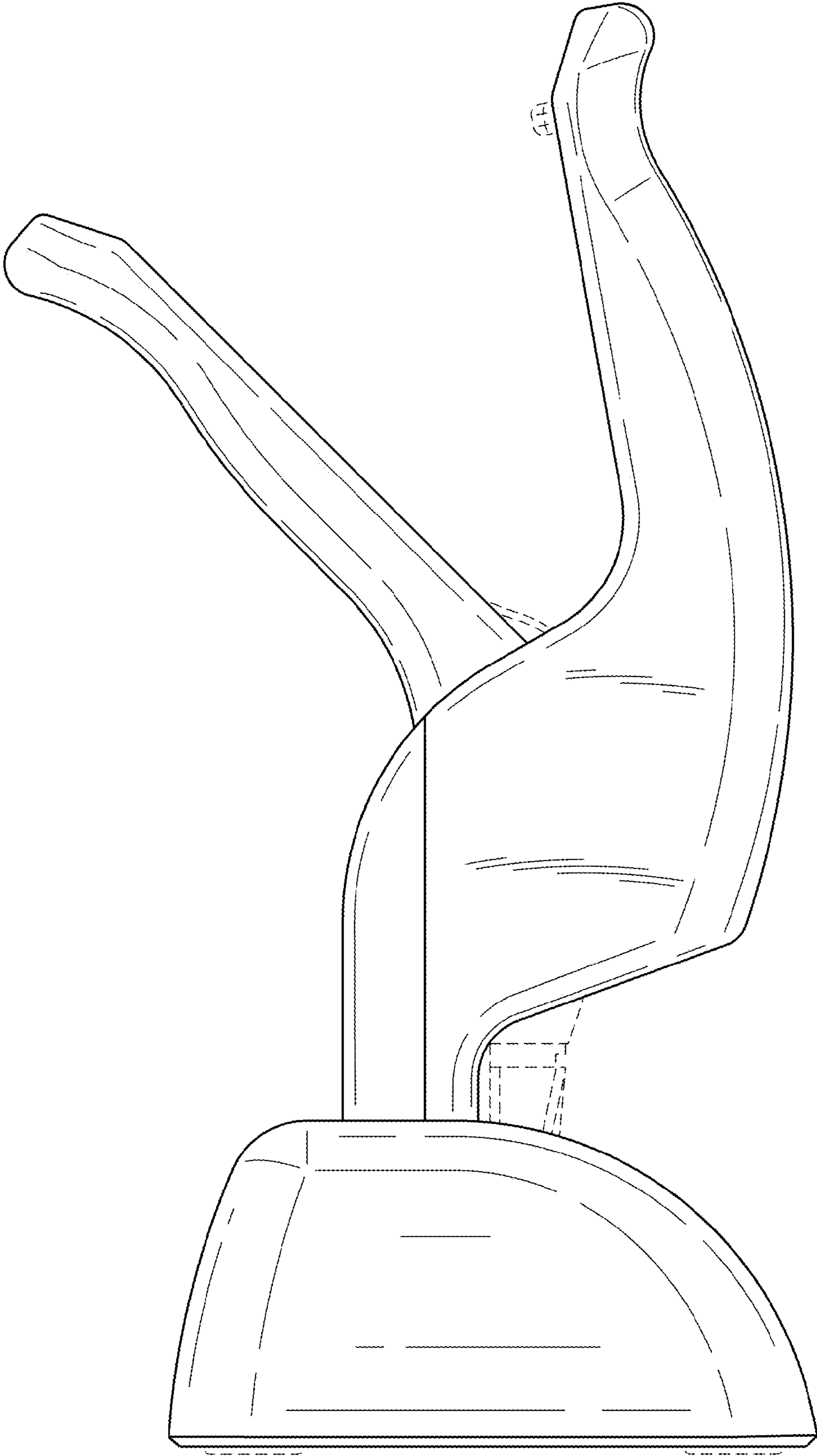


FIG. 5

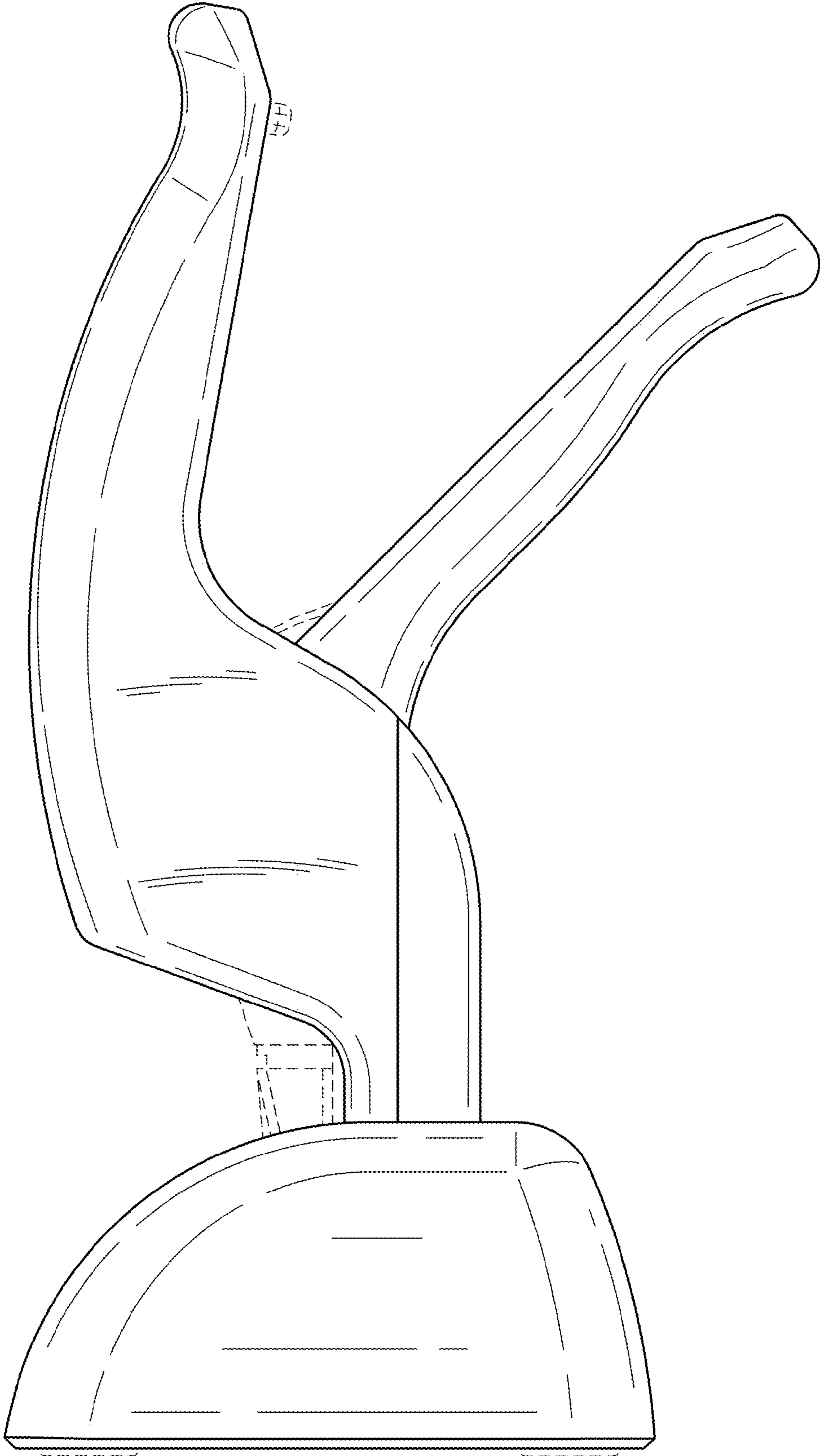


FIG. 6



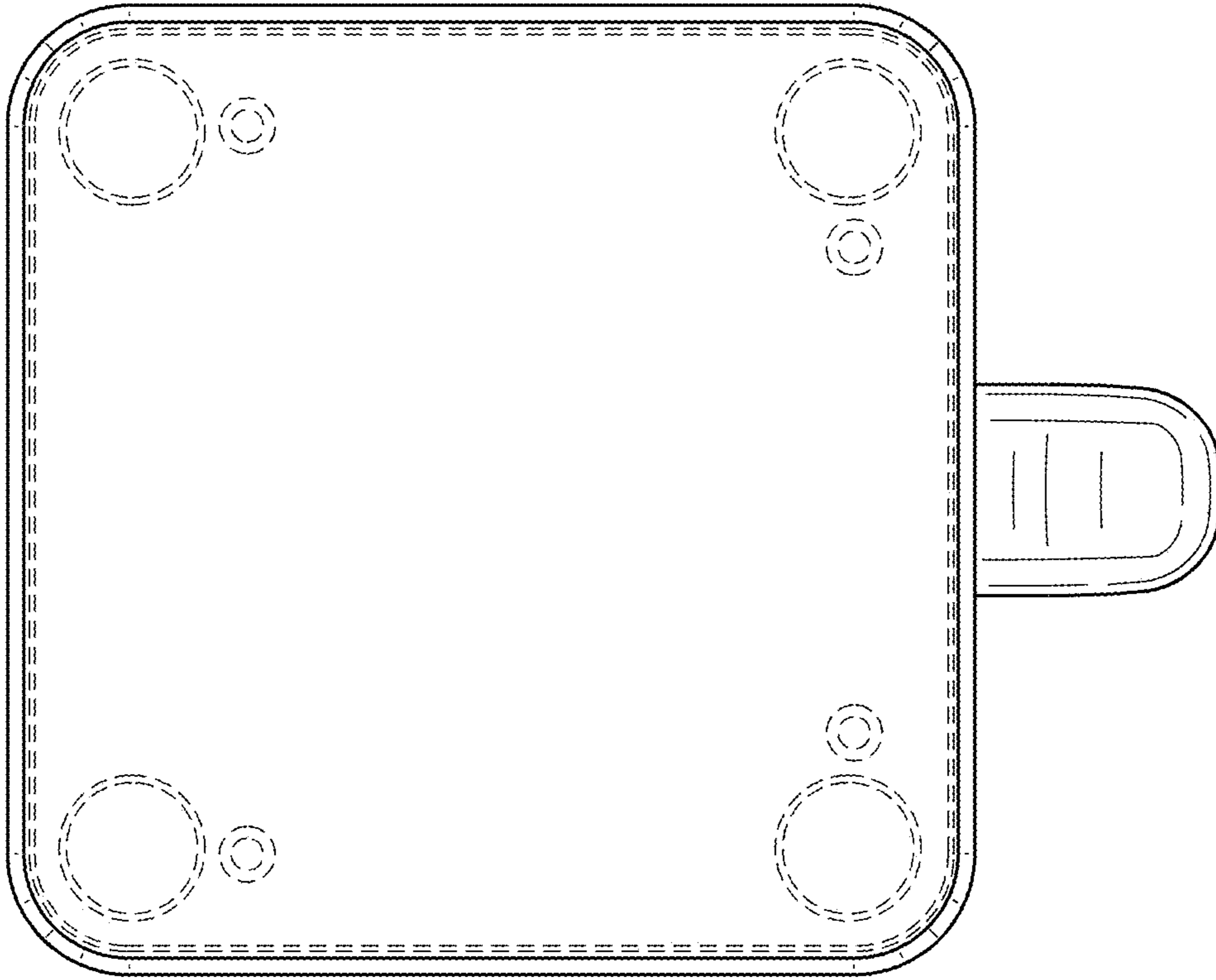


FIG. 8

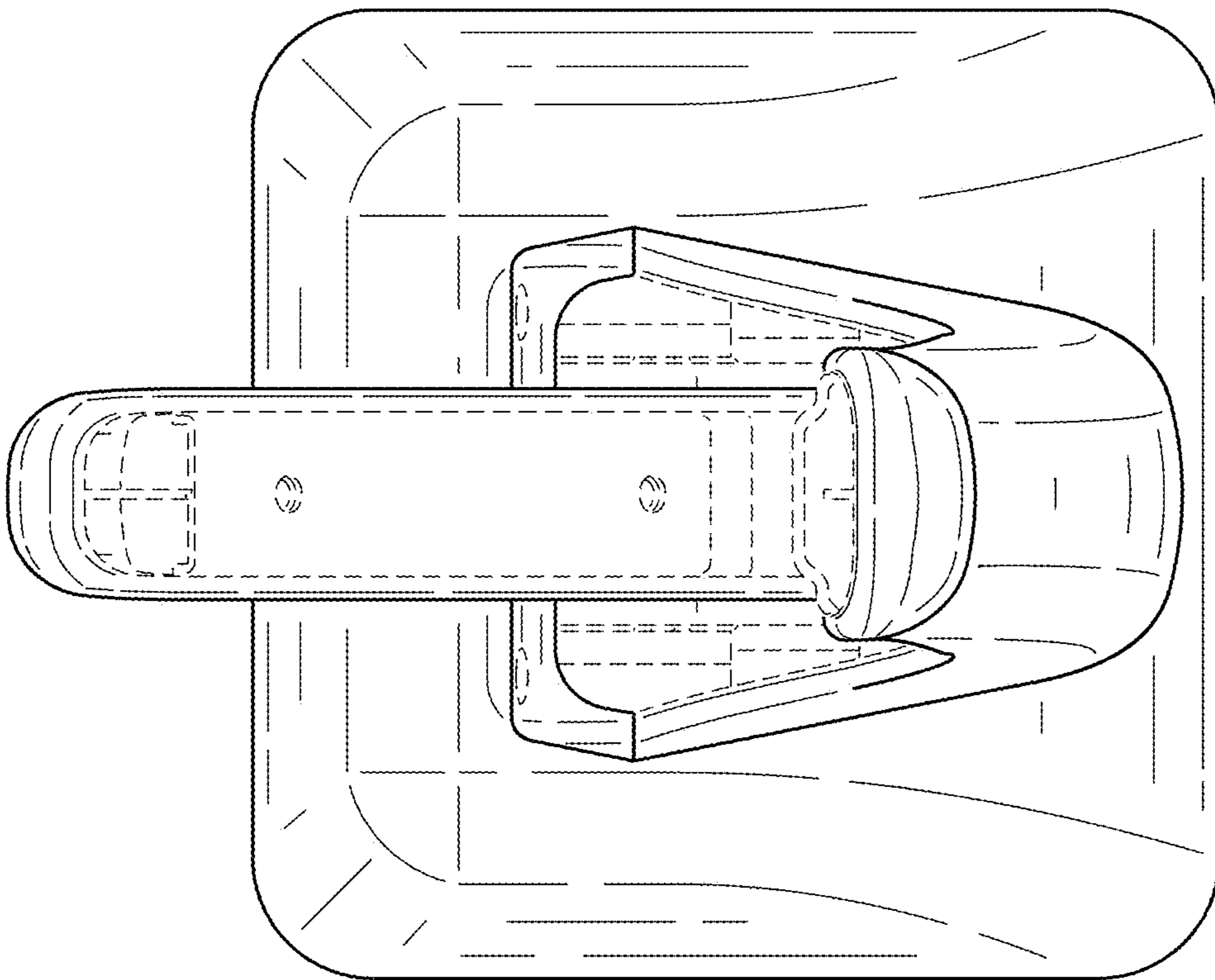


FIG. 7

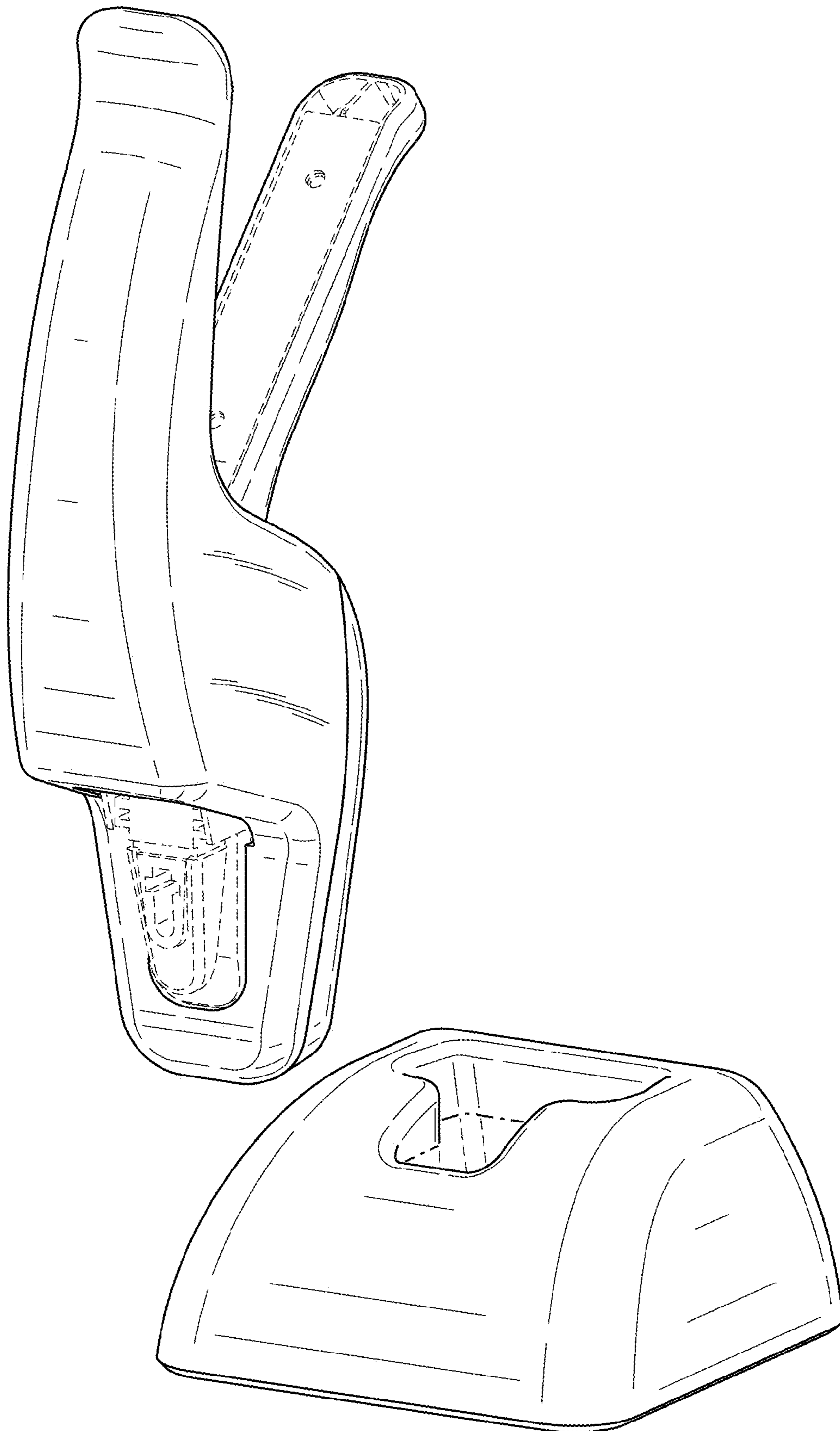


FIG. 9

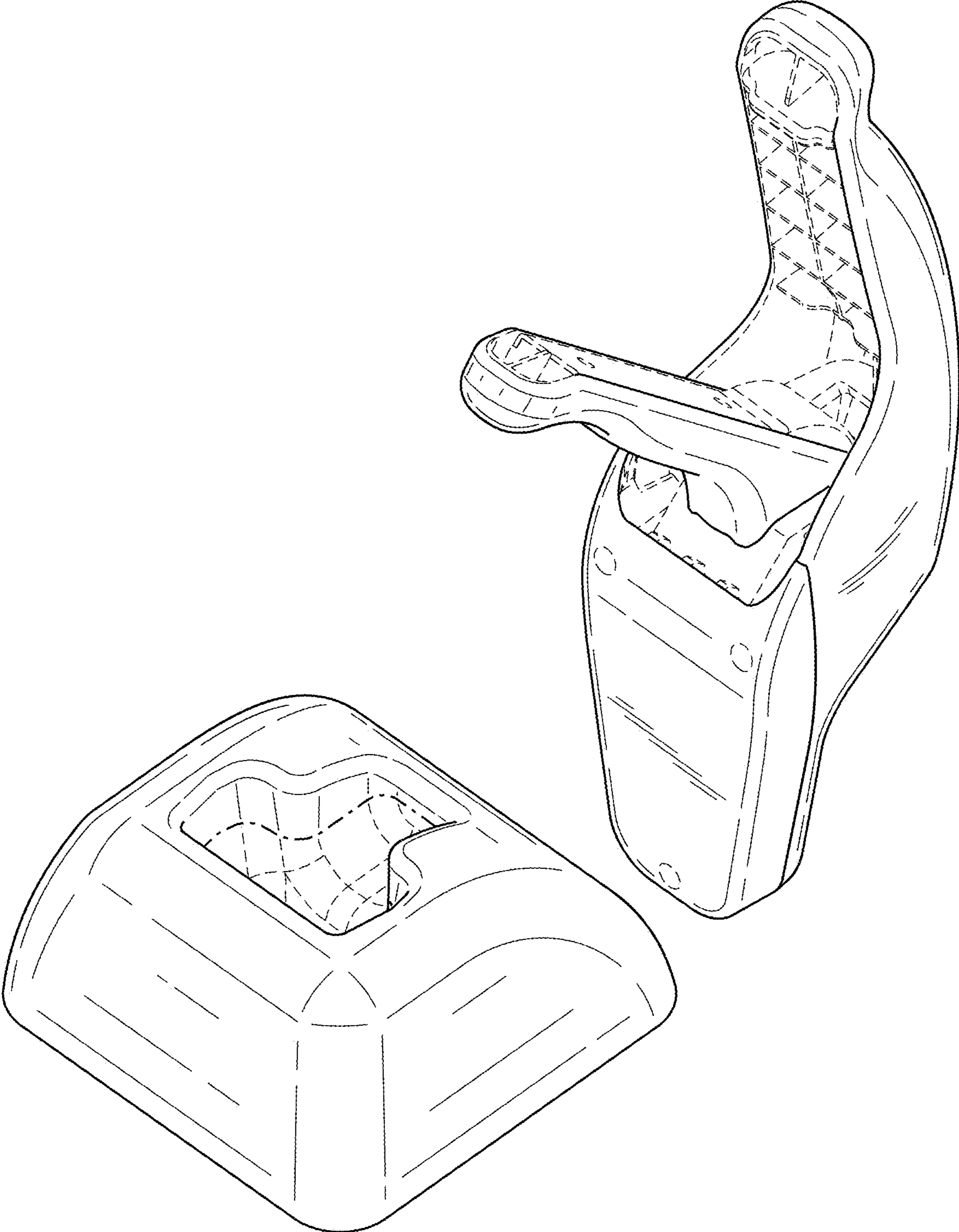


FIG. 10

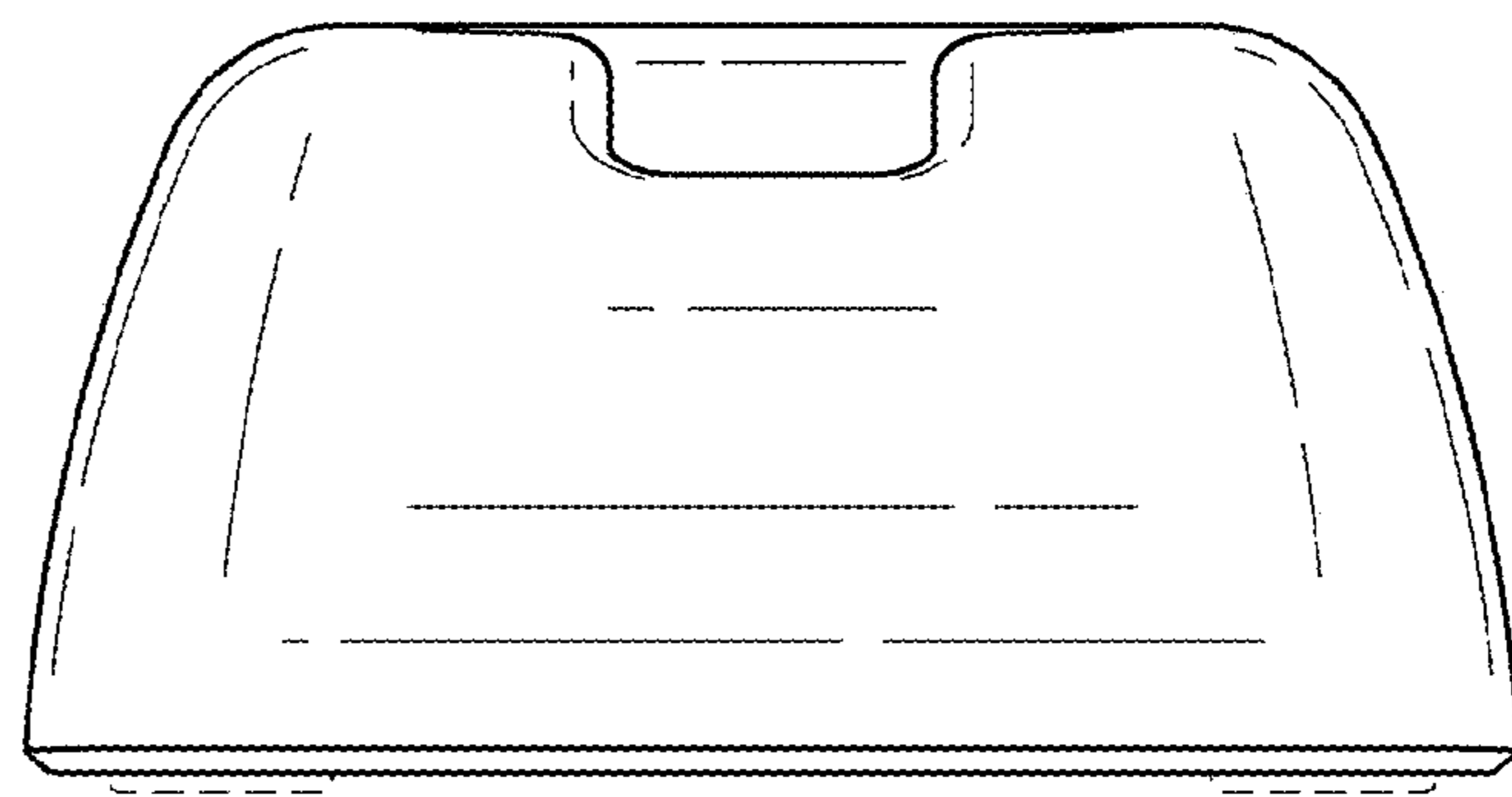
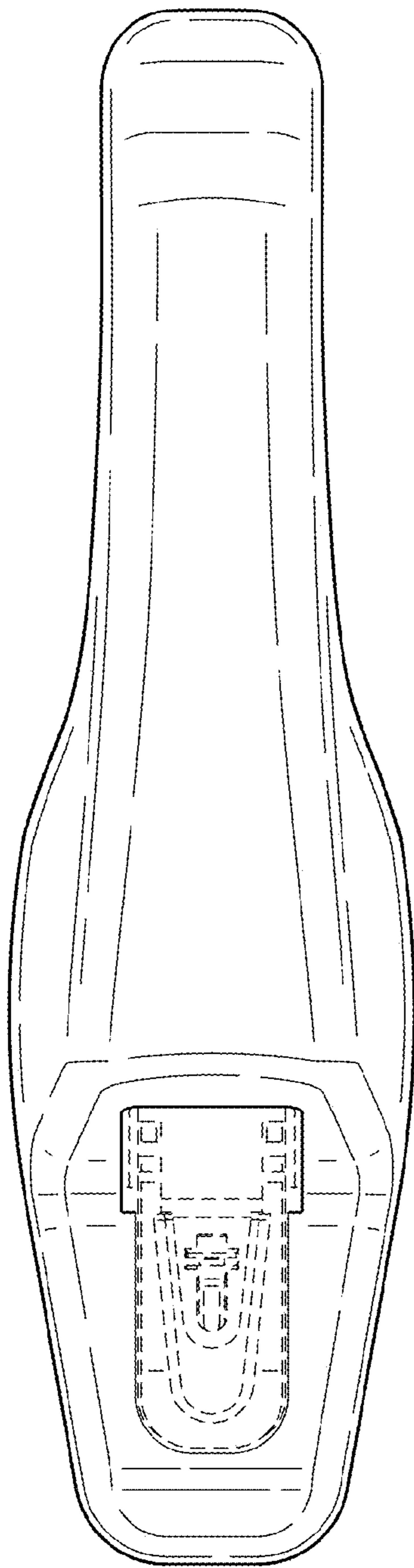


FIG. 11

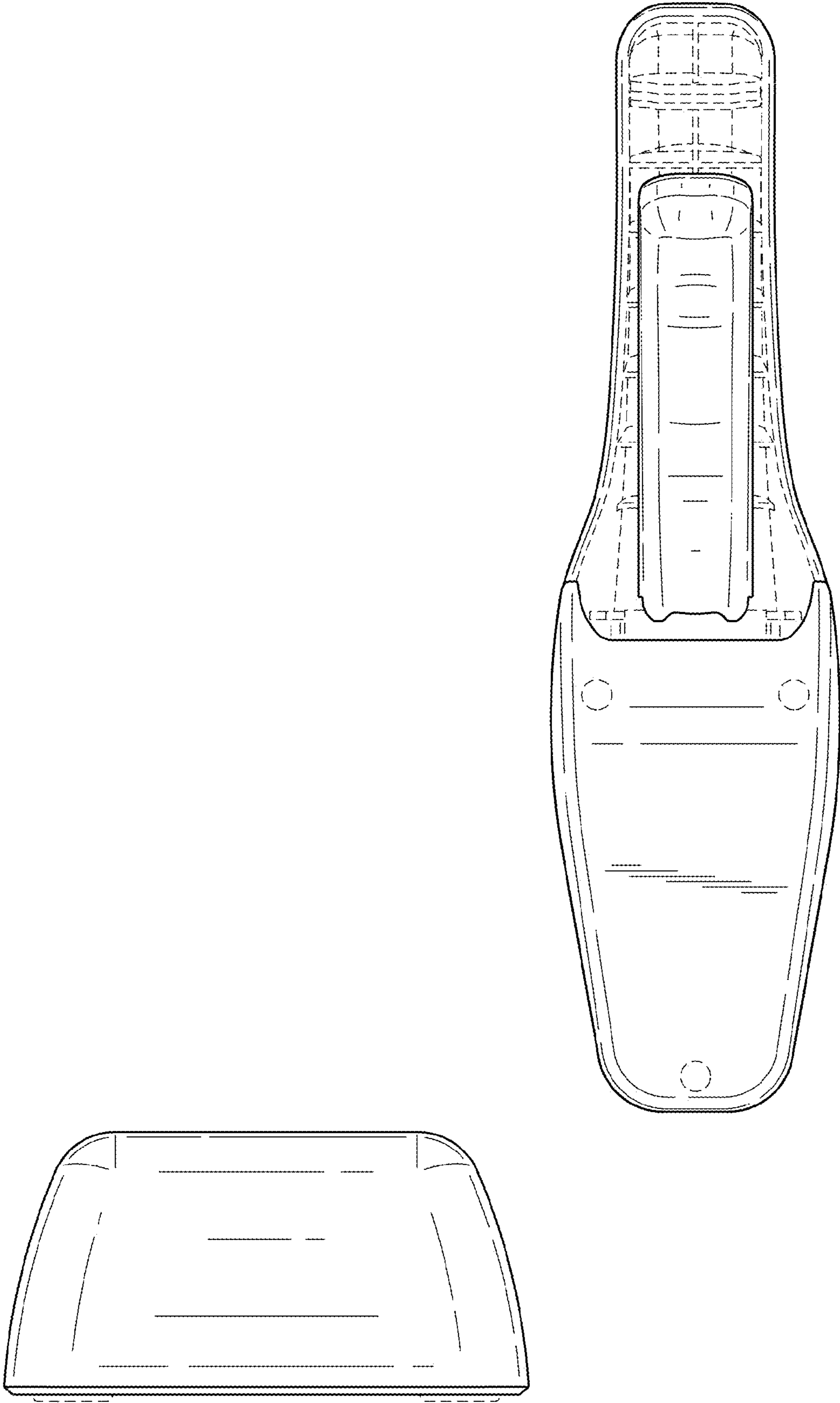


FIG. 12

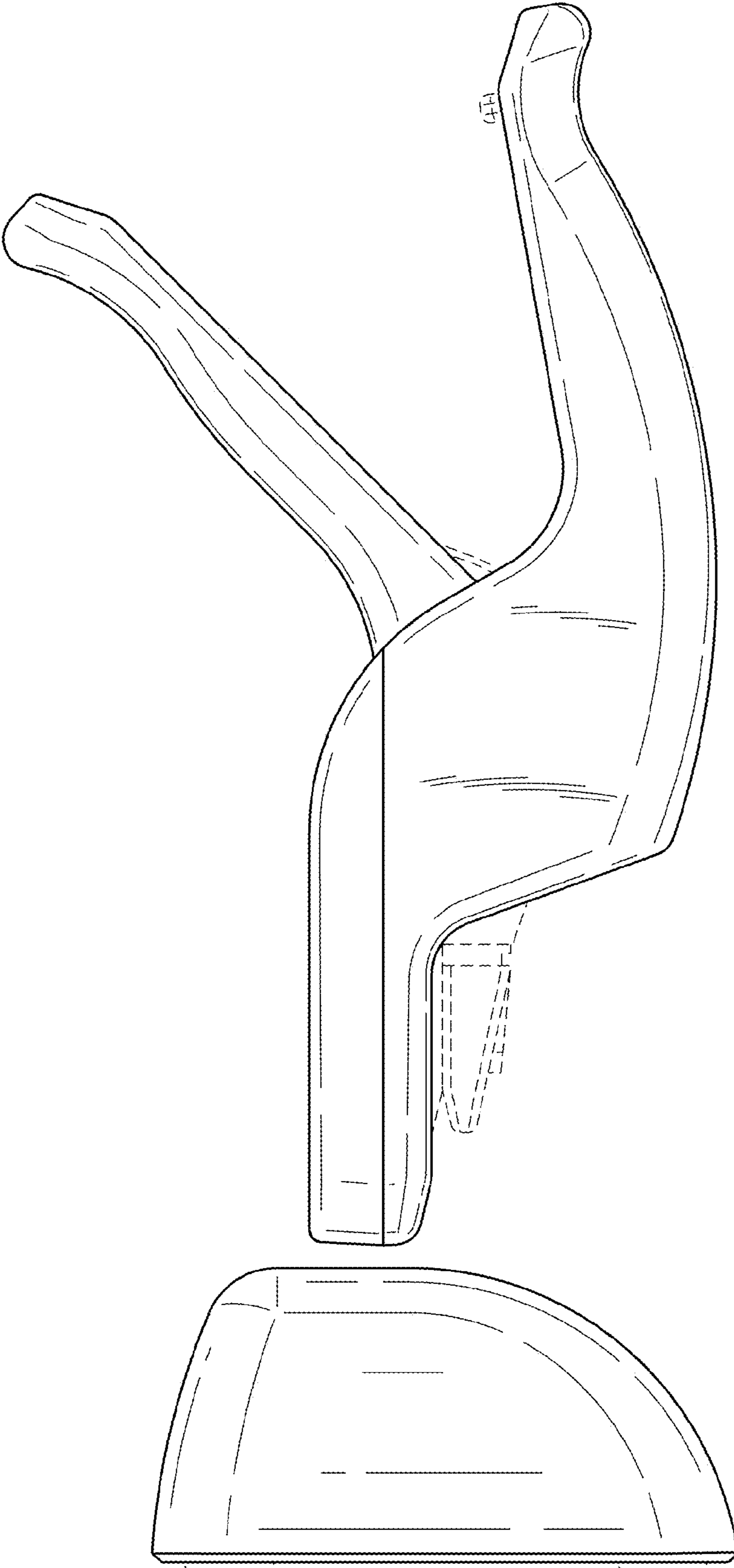


FIG. 13

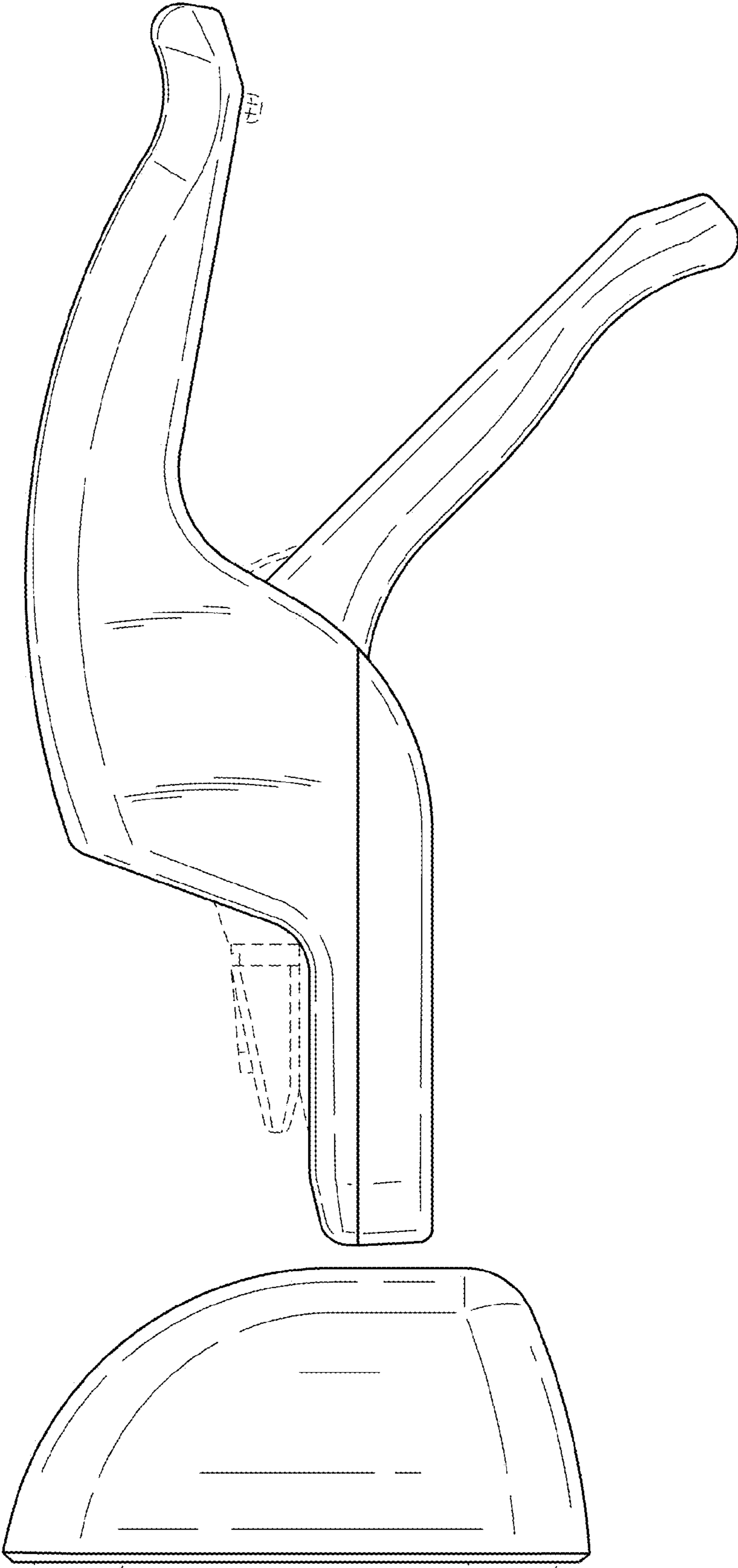


FIG. 14

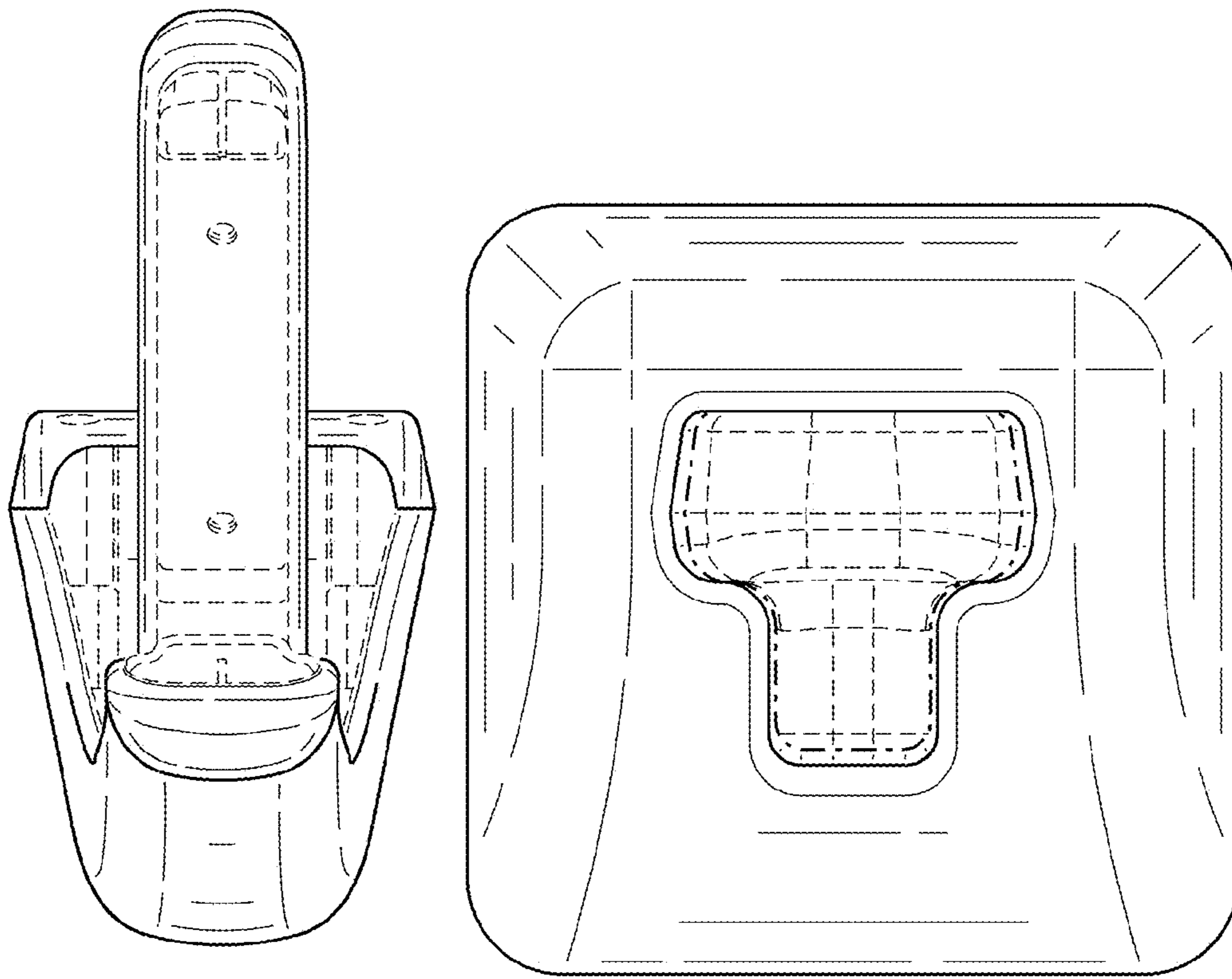


FIG. 15

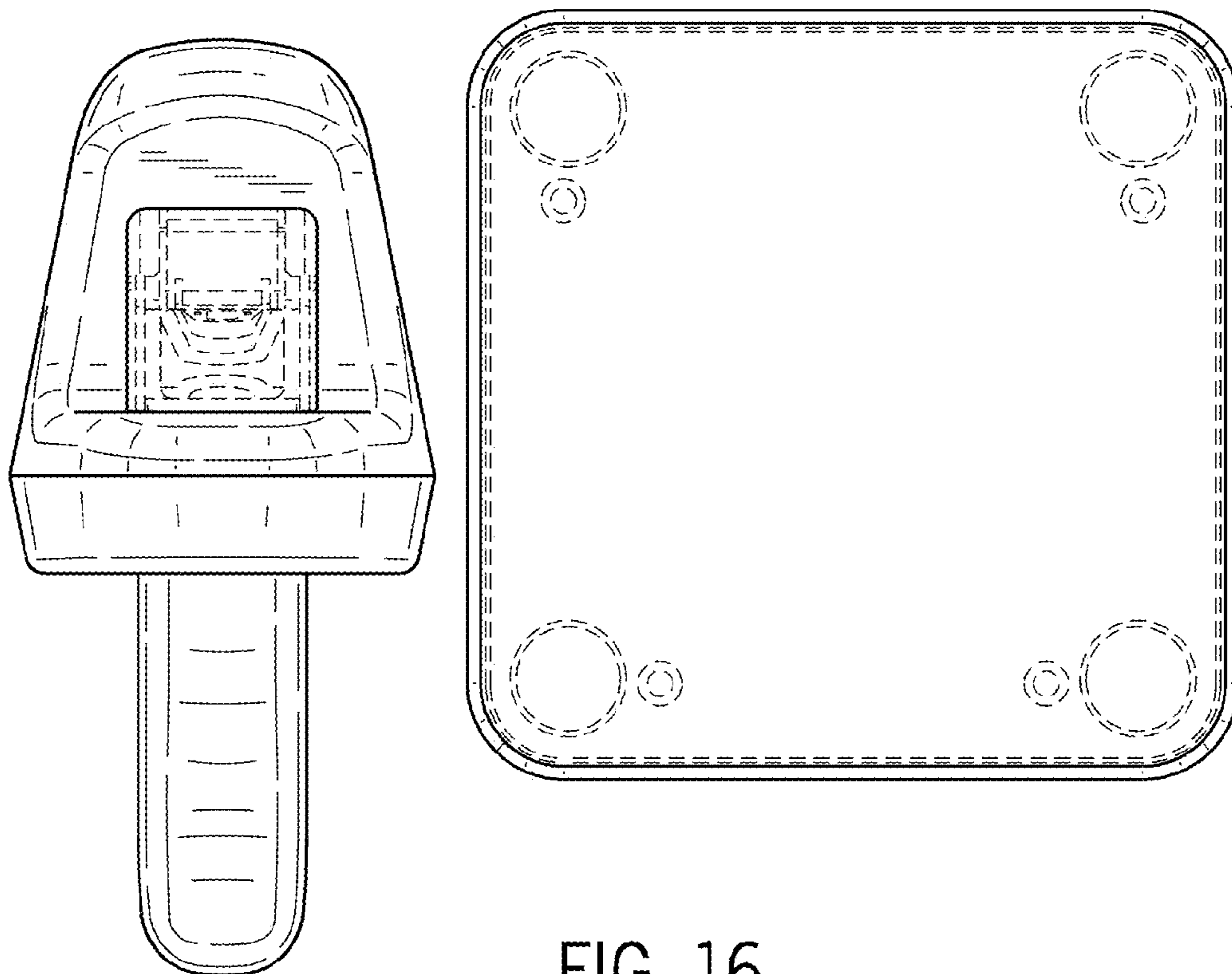


FIG. 16



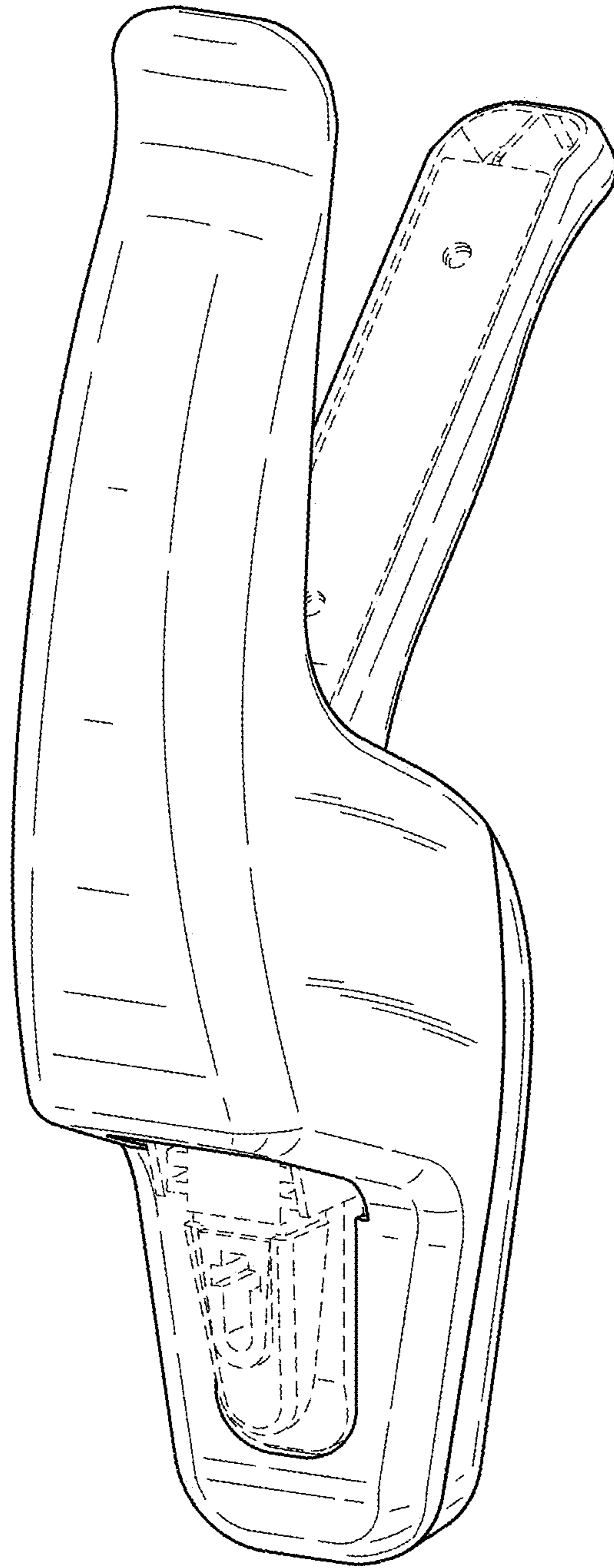


FIG. 17

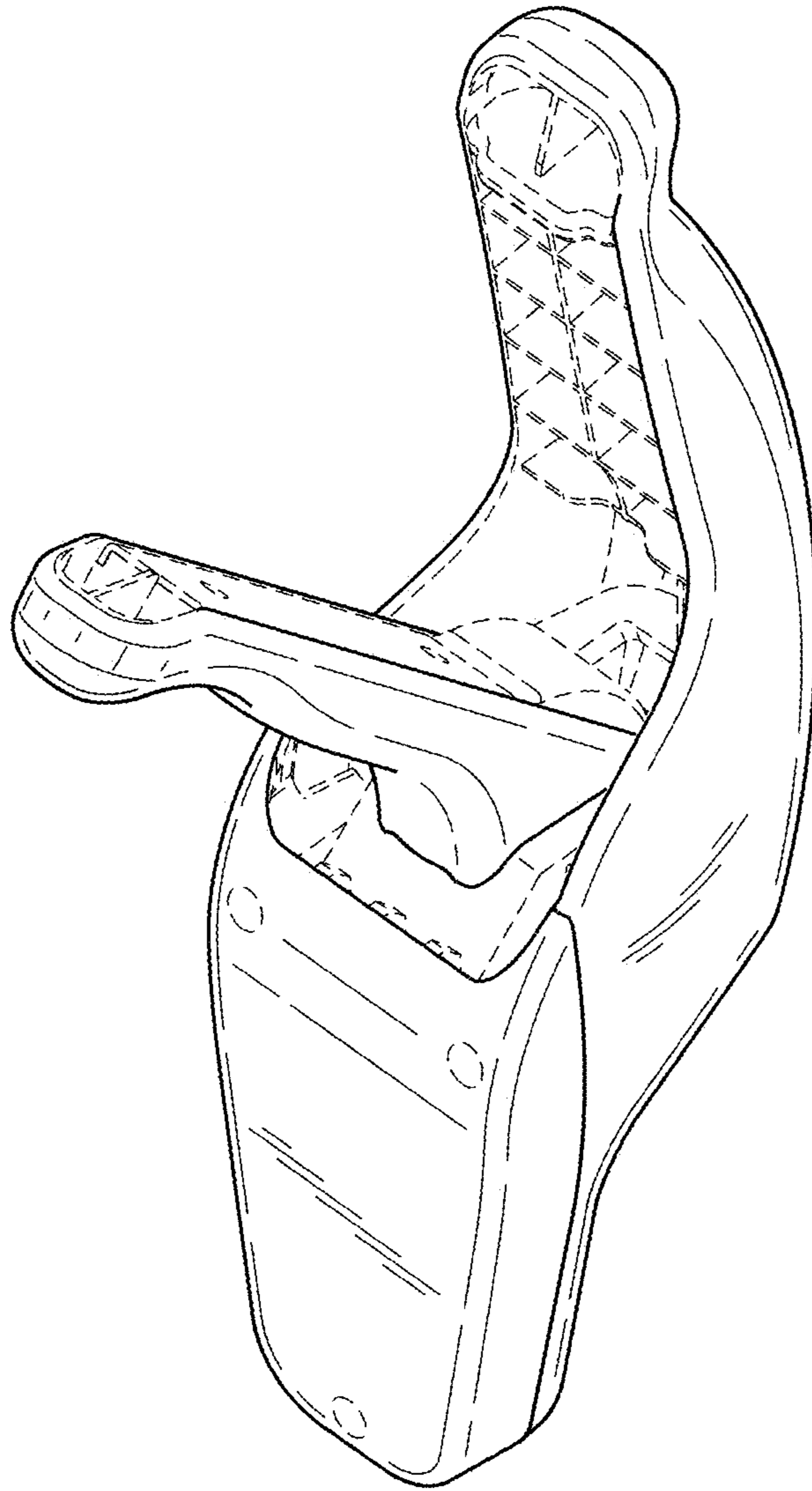


FIG. 18

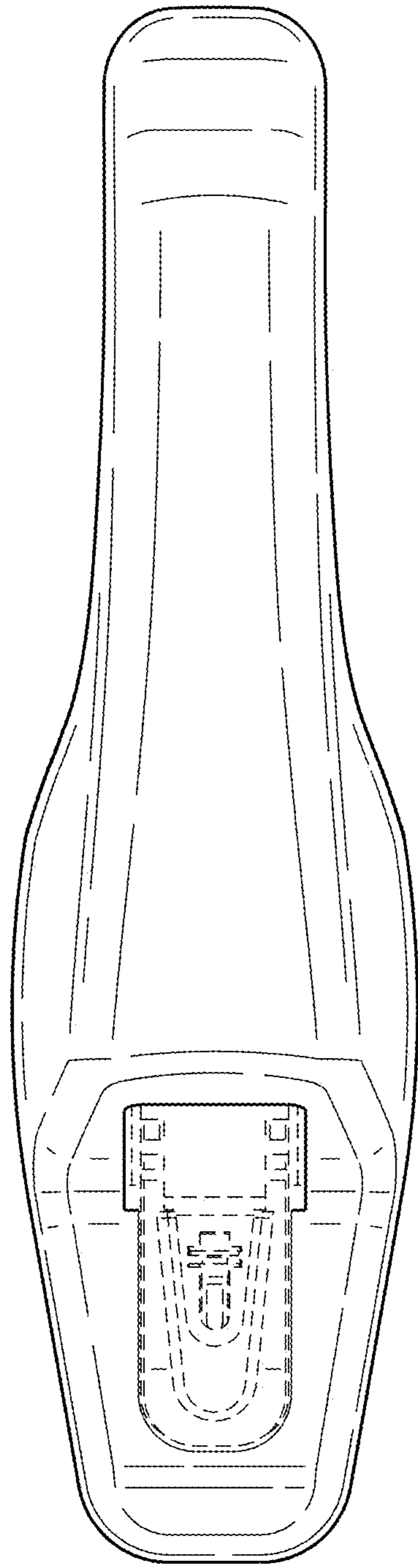


FIG. 19

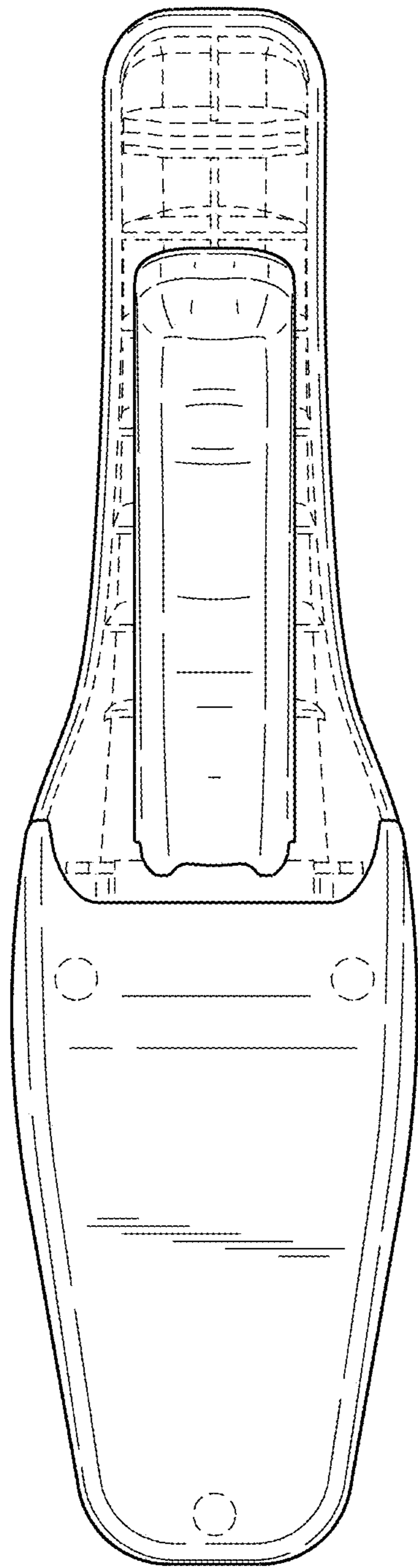


FIG. 20

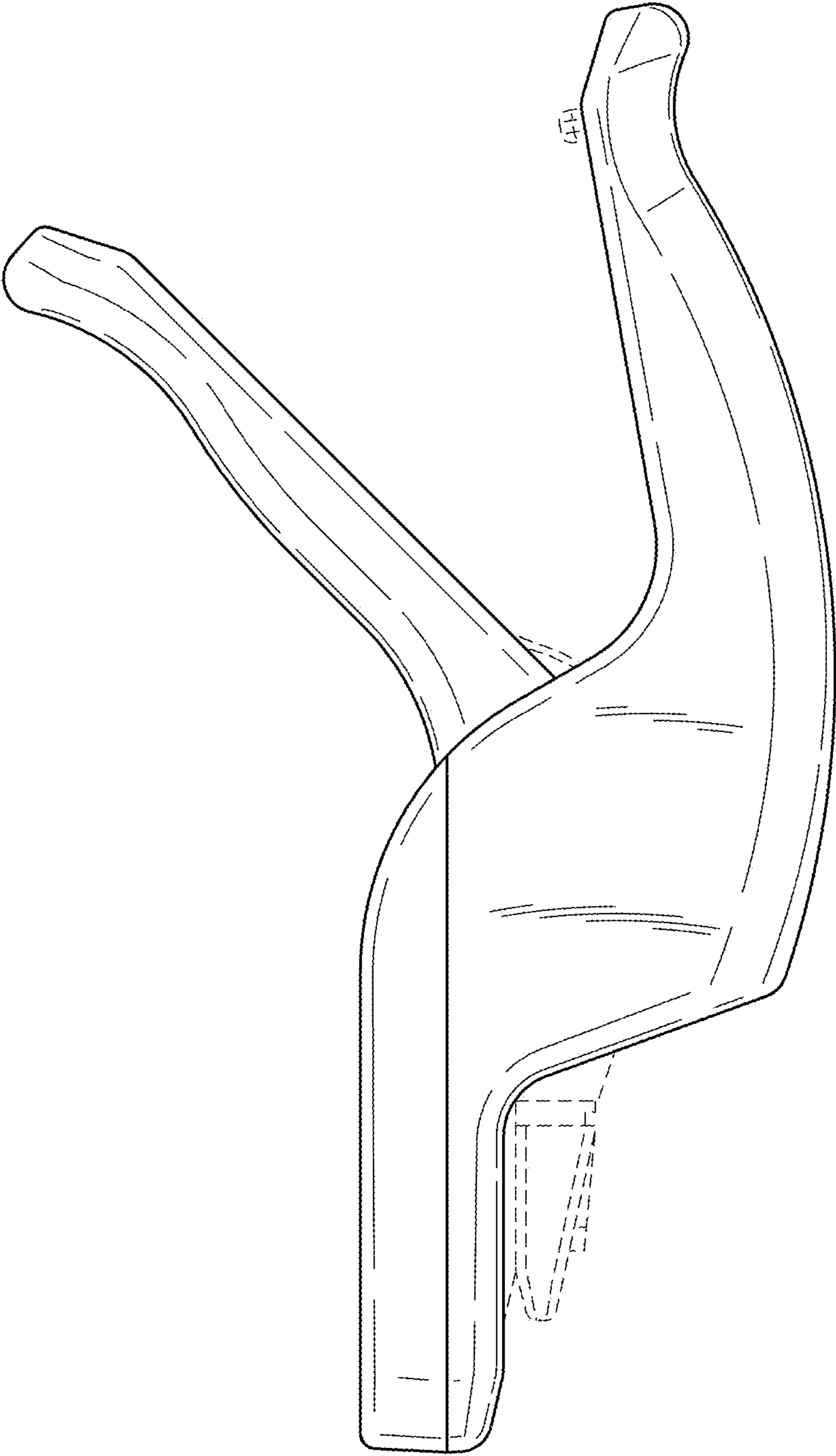


FIG. 21

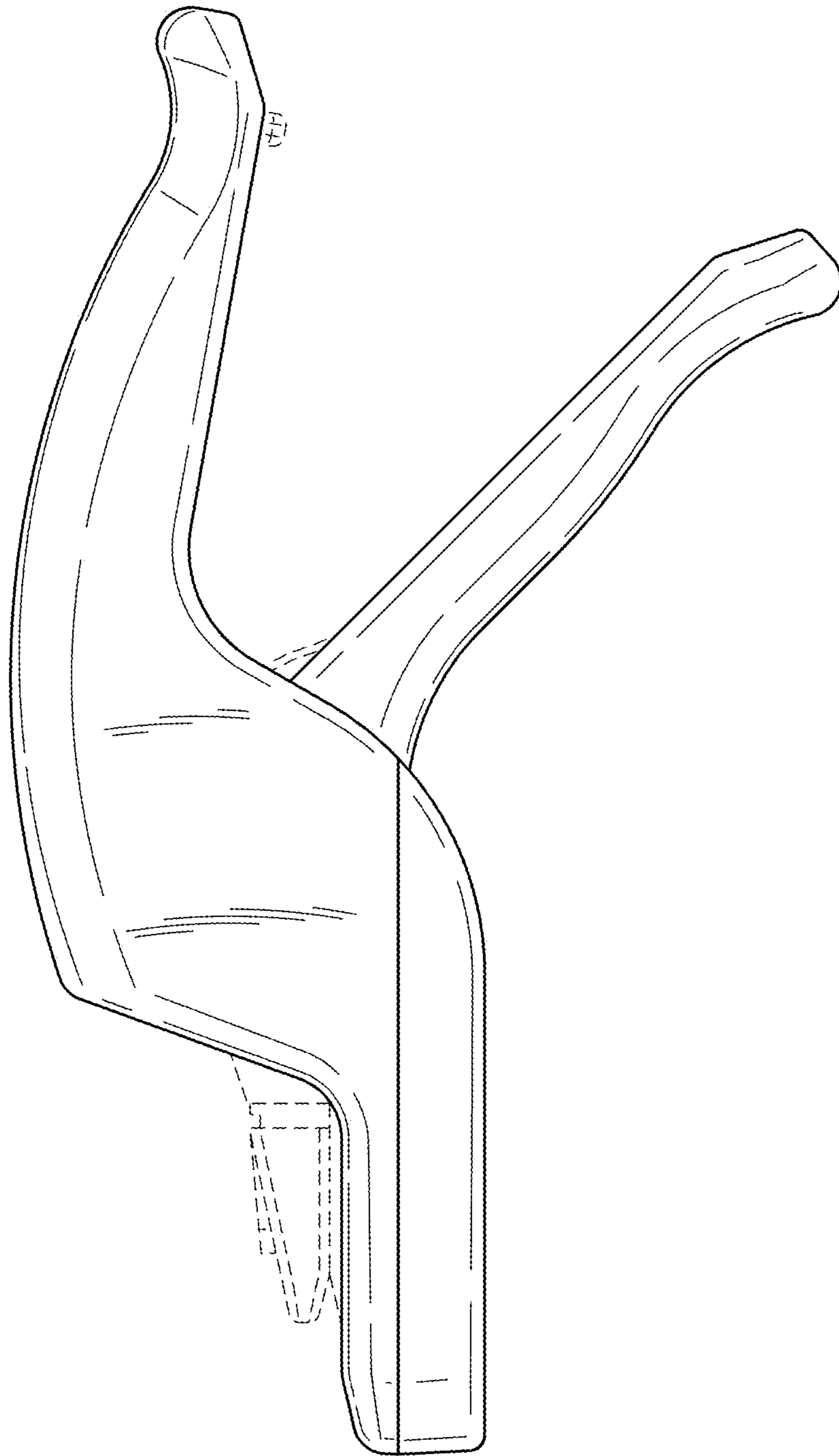


FIG. 22

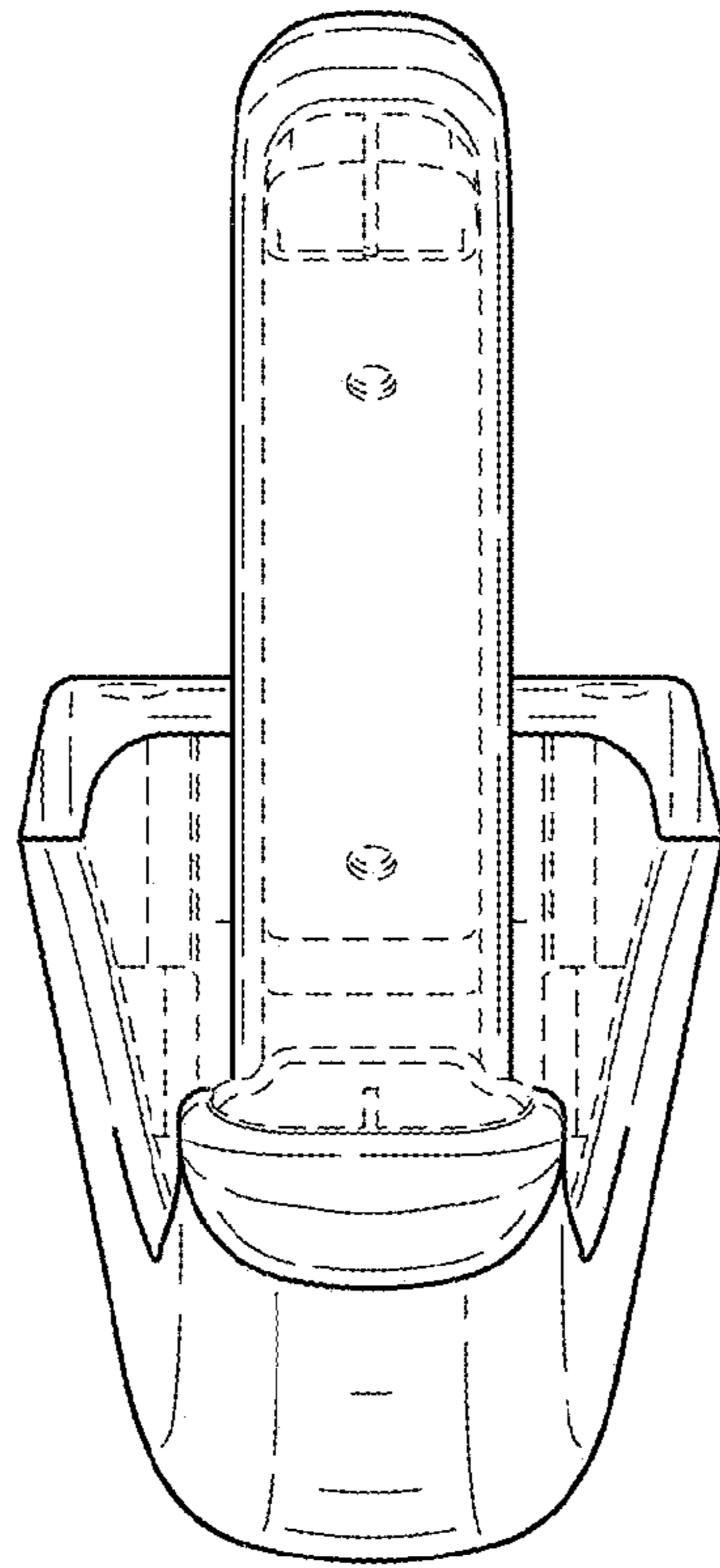


FIG. 23

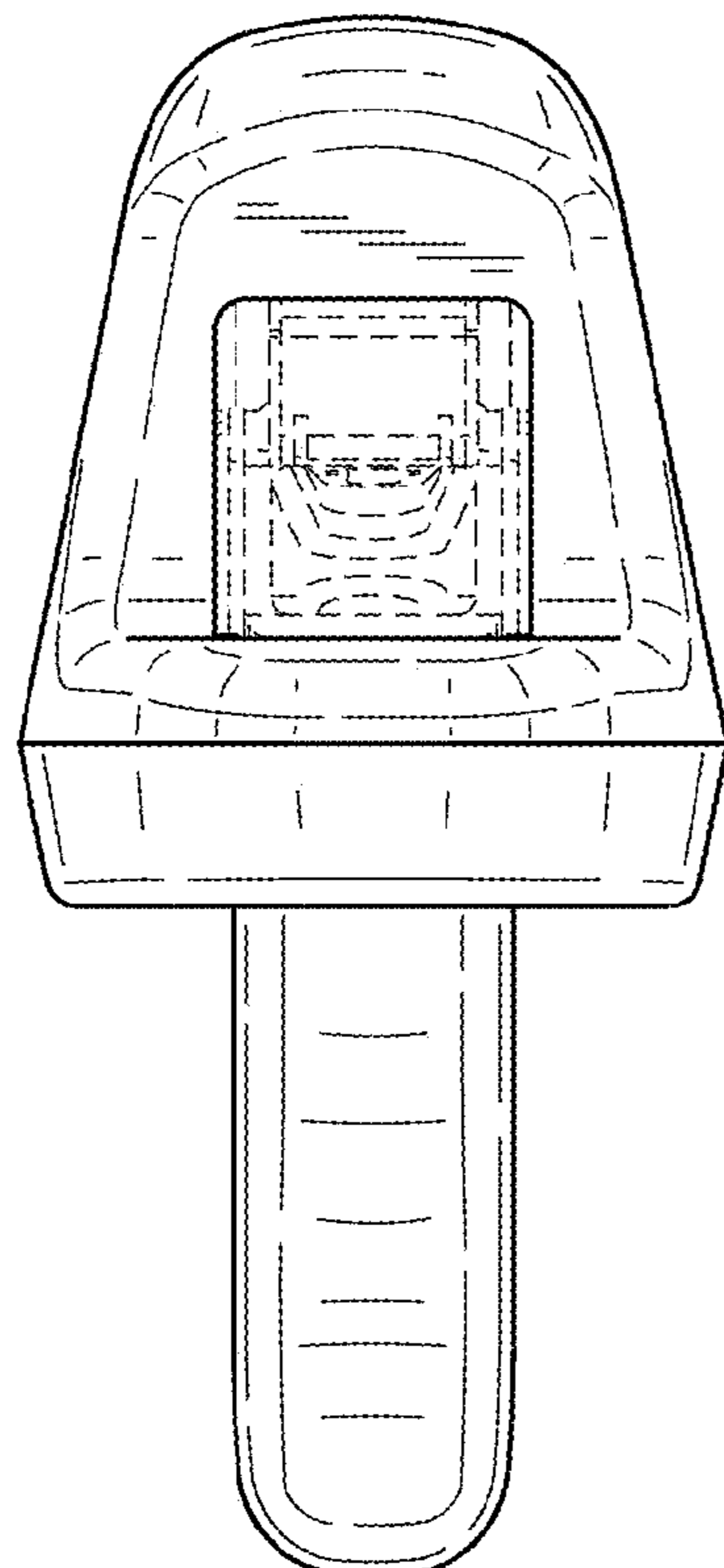


FIG. 24

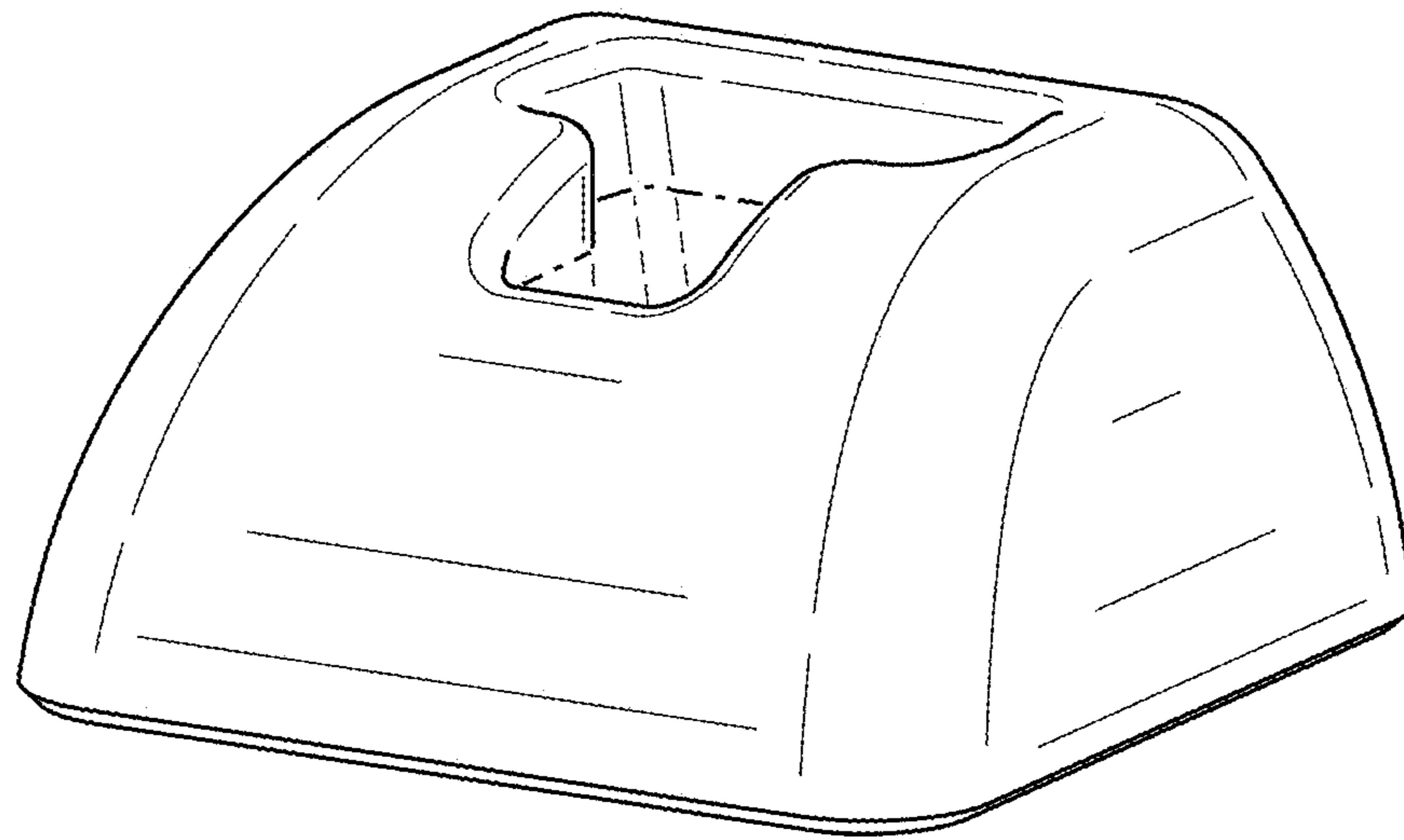


FIG. 25



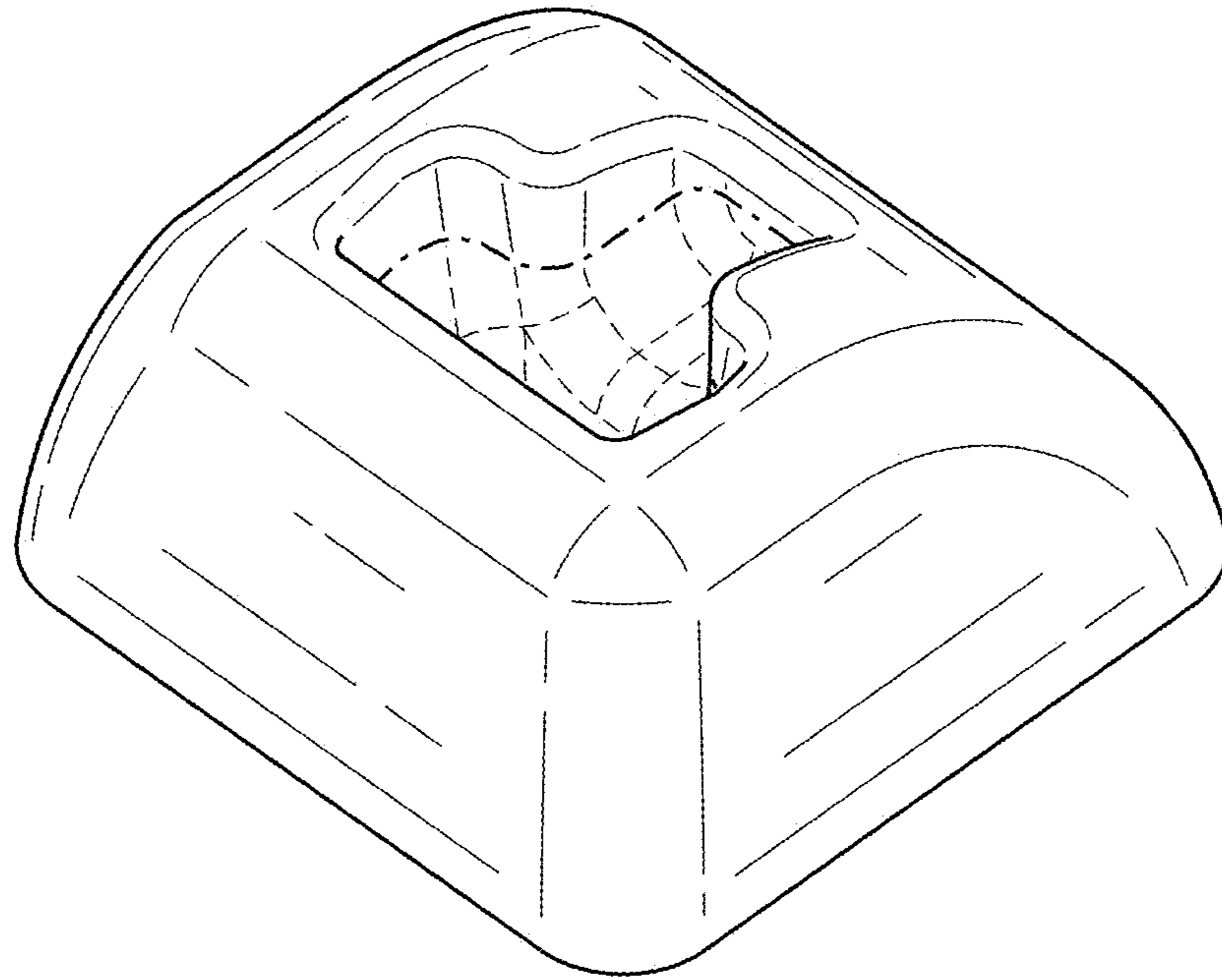


FIG. 26

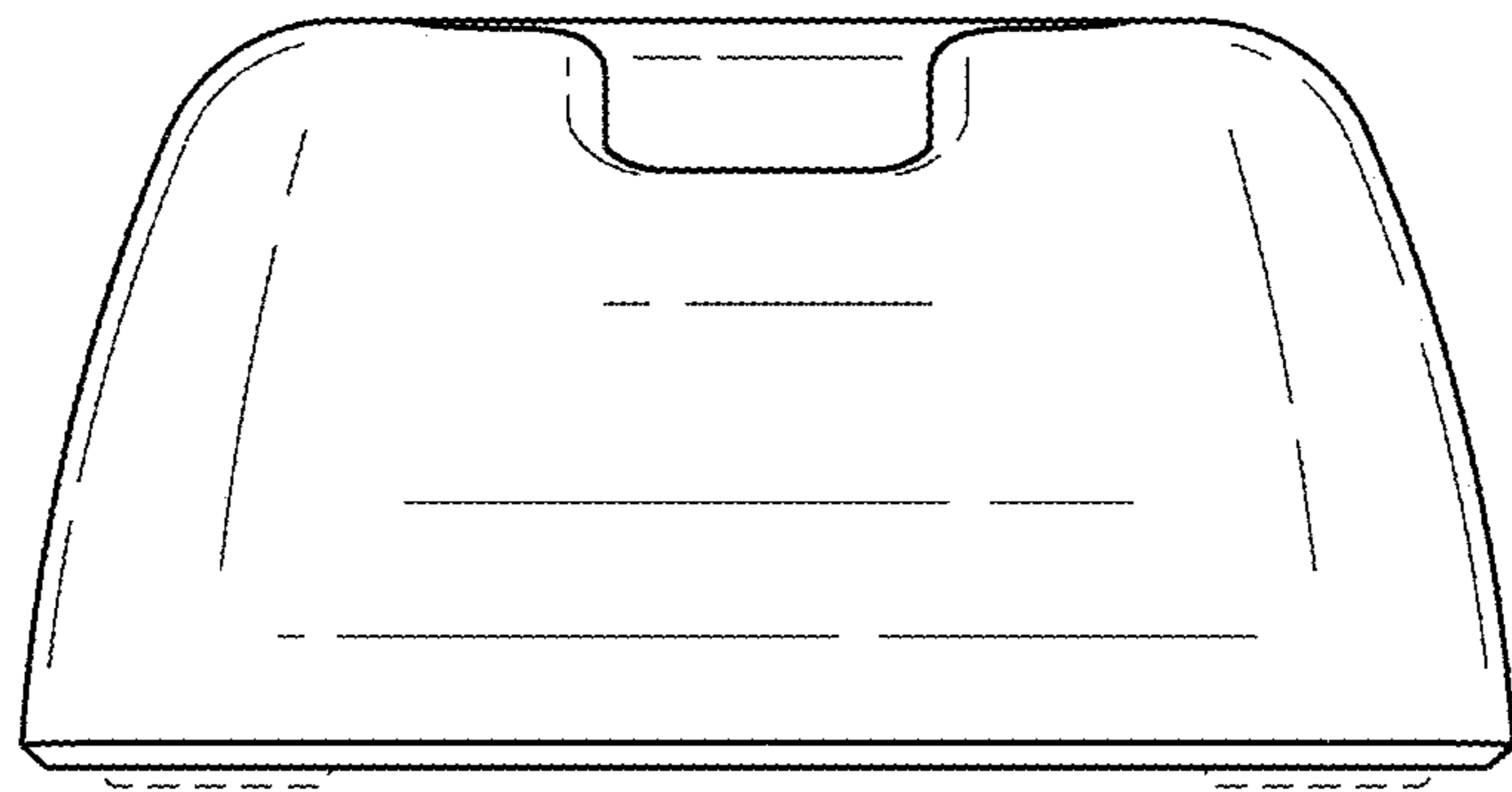


FIG. 27

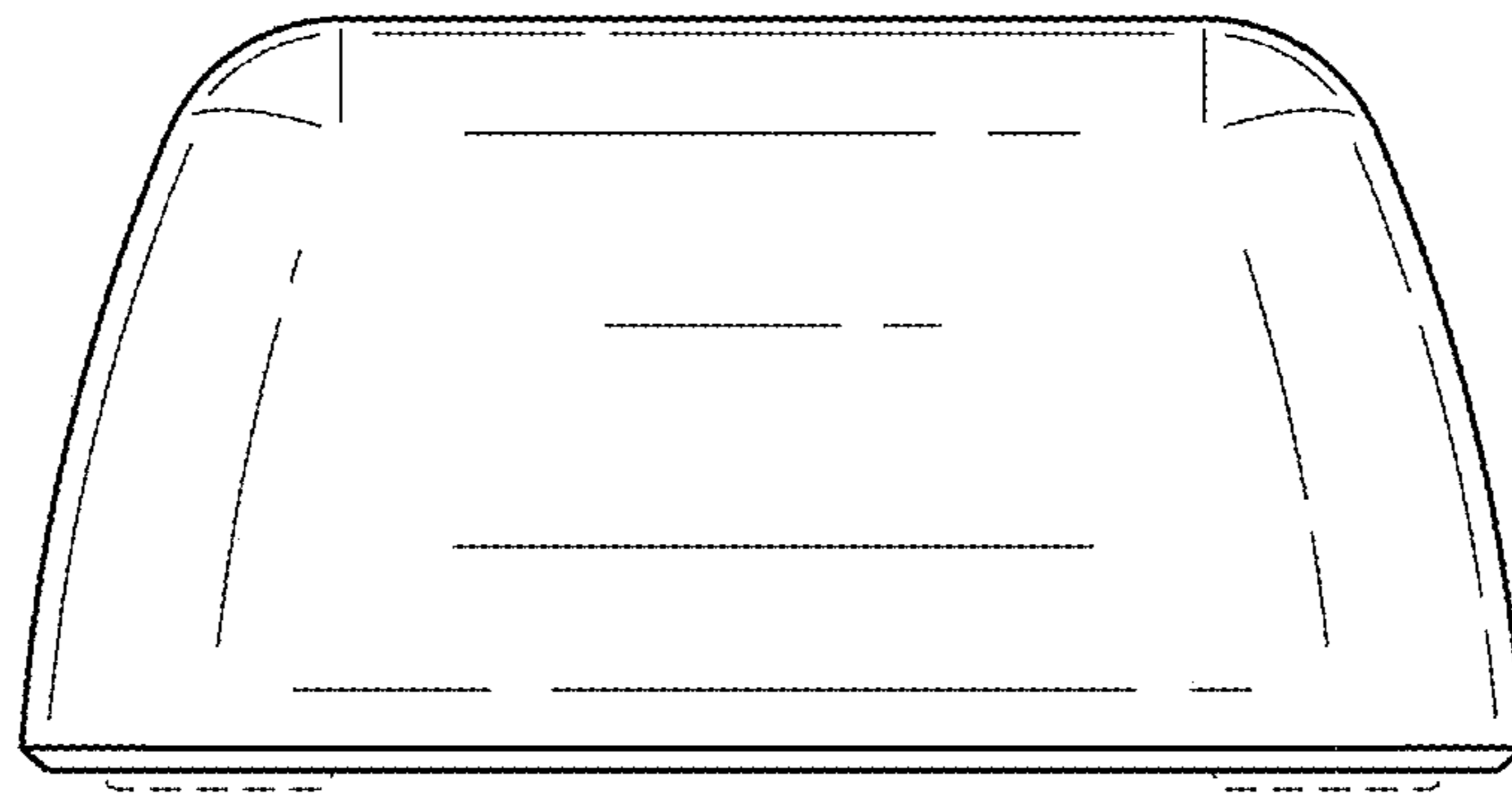


FIG. 28

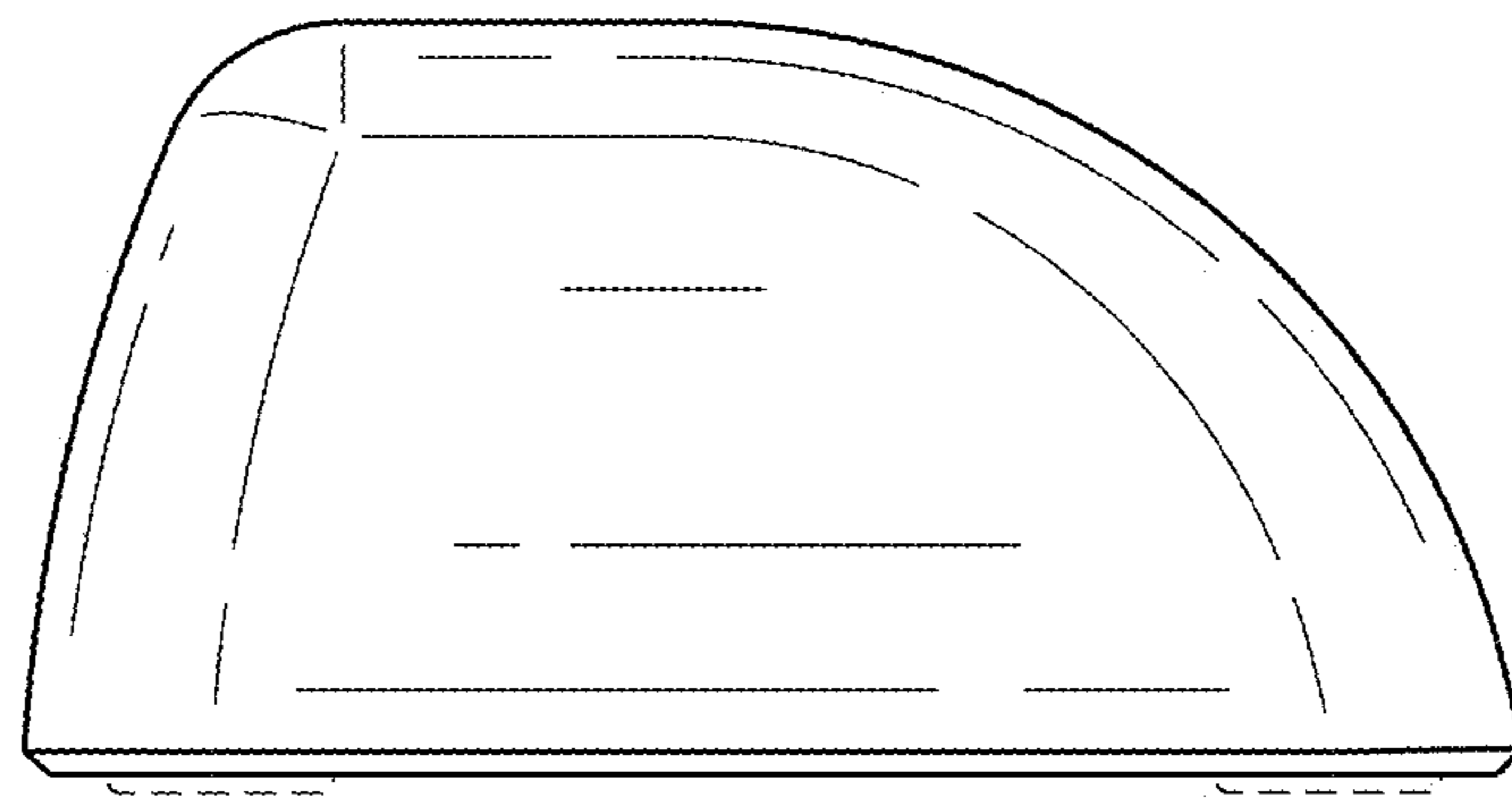


FIG. 29

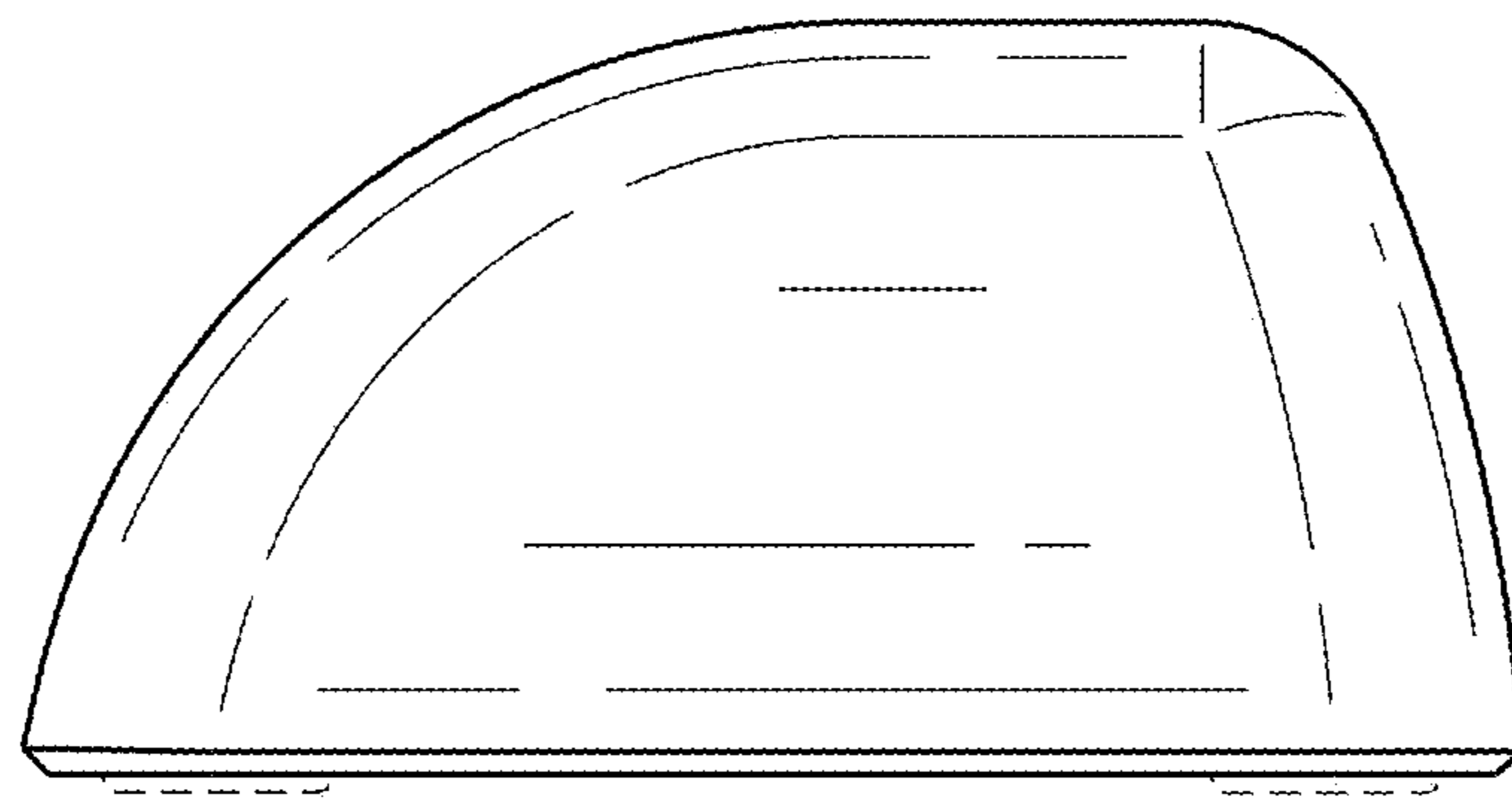


FIG. 30

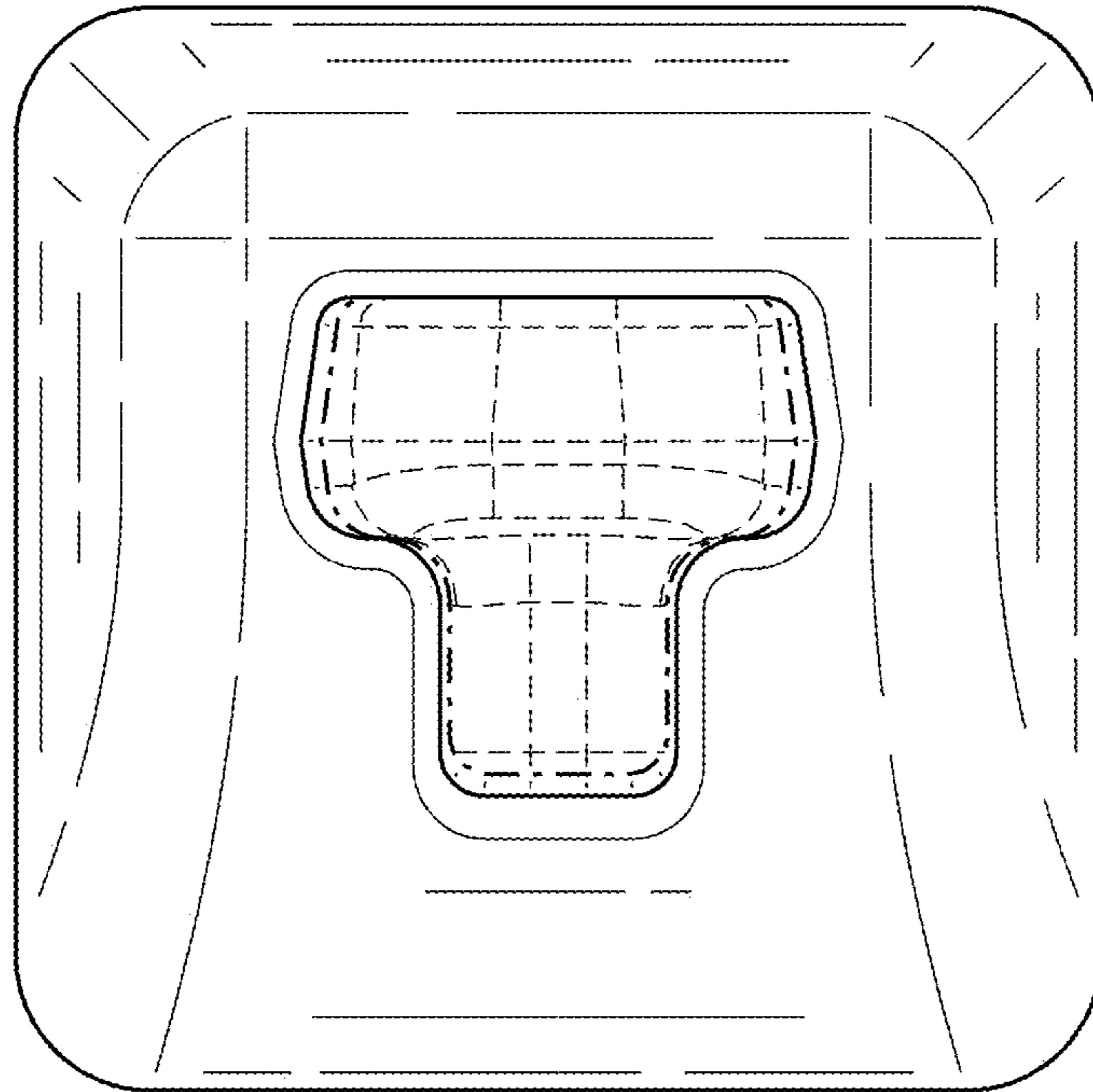


FIG. 31

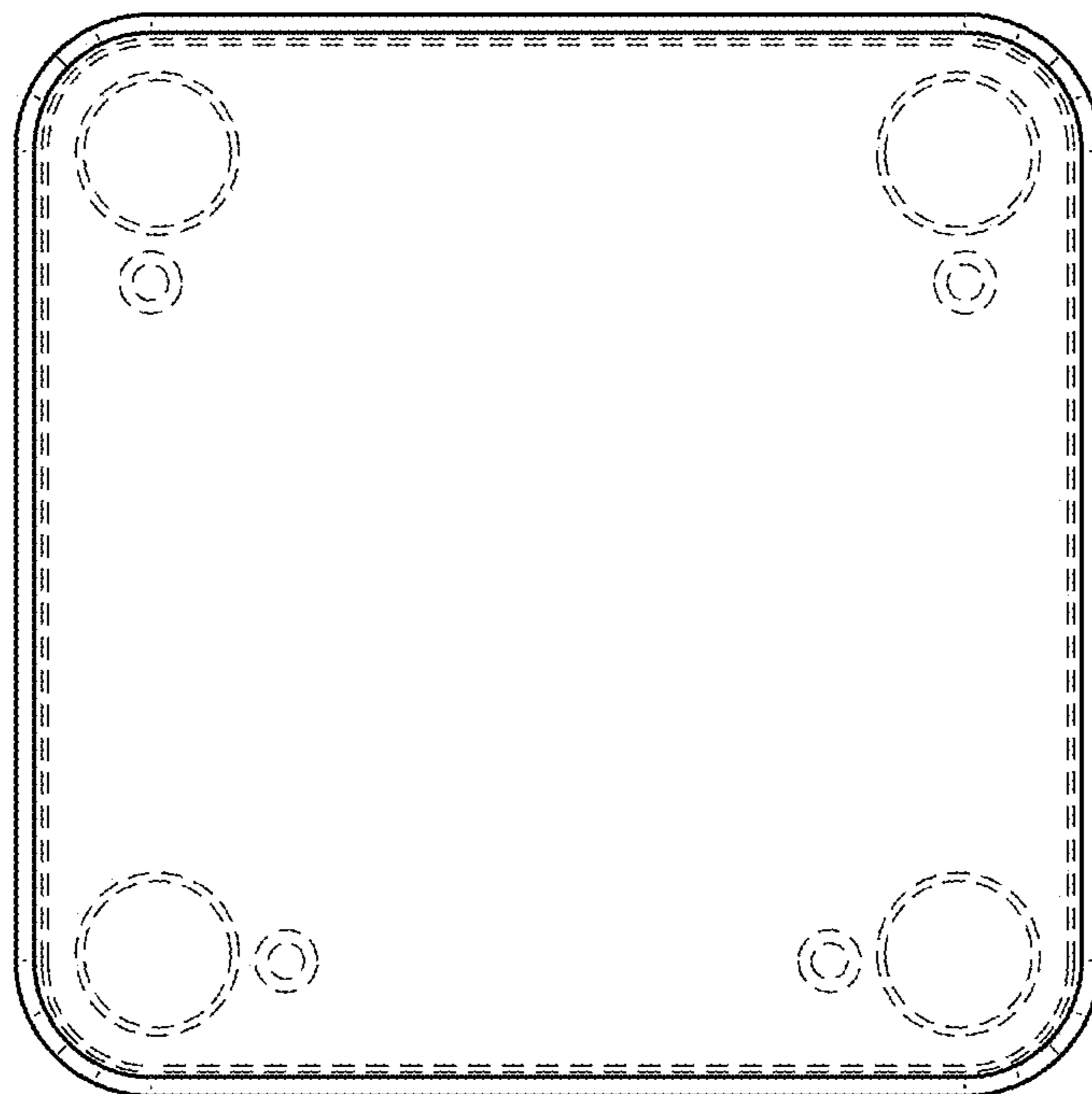


FIG. 32