



US00D950334S

(12) **United States Design Patent**
Underwood

(10) **Patent No.:** **US D950,334 S**

(45) **Date of Patent:** **** *May 3, 2022**

- (54) **CAP OPENER**
- (71) Applicant: **Dennis Underwood**, Orlando, FL (US)
- (72) Inventor: **Dennis Underwood**, Orlando, FL (US)
- (*) Notice: This patent is subject to a terminal disclaimer.
- (**) Term: **15 Years**
- (21) Appl. No.: **29/700,716**
- (22) Filed: **Aug. 5, 2019**
- (51) **LOC (13) Cl.** **07-99**
- (52) **U.S. Cl.**
USPC **D8/40**
- (58) **Field of Classification Search**
USPC D8/18, 33-43, 88, 89
CPC B67B 7/00; B67B 7/02; B67B 7/12; B67B 7/14; B67B 7/16; B67B 7/162; B67B 7/18; B67B 7/20; B67B 7/40; B67B 7/44
See application file for complete search history.

4,414,865 A *	11/1983	Brooks	B67B 7/18
				81/3.09
D275,926 S *	10/1984	Corona	D30/133
D316,362 S *	4/1991	Hughes	D8/40
D317,856 S *	7/1991	Cossey	D32/35
5,465,891 A *	11/1995	Bridges	A47G 19/06
				220/636
5,735,181 A *	4/1998	Anderson	B67B 7/18
				81/3.07
5,931,058 A *	8/1999	Ran	B67B 7/14
				220/285
D440,134 S *	4/2001	Brix-Hansen	D8/33
D462,000 S *	8/2002	Hightower	D8/40
D497,088 S *	10/2004	Davis	D8/40
D799,925 S *	10/2017	Wheeler	D8/33

* cited by examiner

Primary Examiner — Elizabeth A. Albert
(74) *Attorney, Agent, or Firm* — The Rapacke Law Group, P.A.

(57) **CLAIM**

The ornamental design for a cap opener, as shown and described.

DESCRIPTION

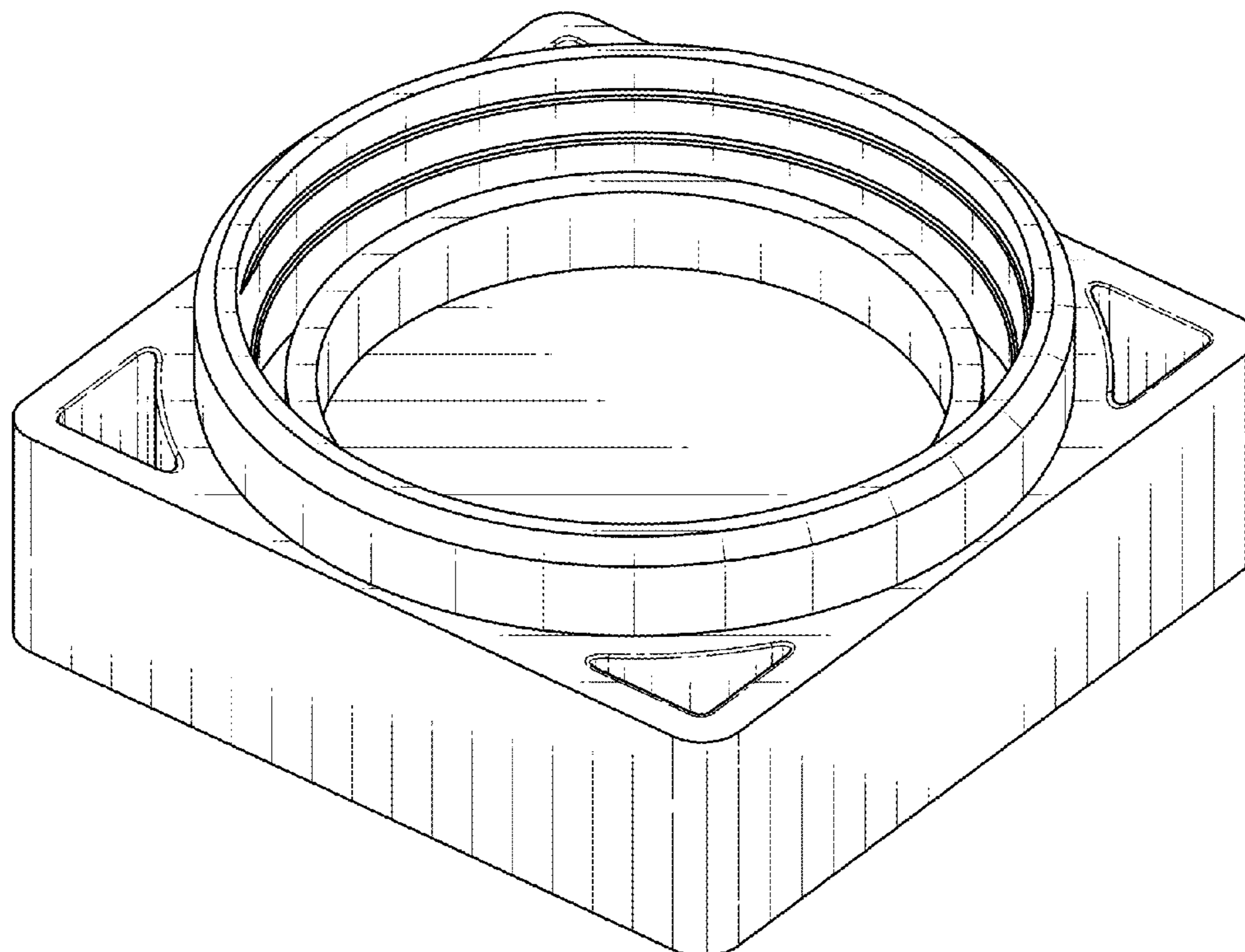
FIG. 1 is a perspective view of the cap opener showing the new design;
FIG. 2 is a left side elevational view thereof, the right side elevational view, the front and rear elevational views being the same as the left side elevation view;
FIG. 3 is a top plan view thereof; and,
FIG. 4 is a bottom plan view thereof.

1 Claim, 2 Drawing Sheets

(56) **References Cited**

U.S. PATENT DOCUMENTS

1,826,486 A *	10/1931	Walker	B67B 7/18
				141/88
2,064,381 A *	12/1936	McColgan	B67B 7/18
				81/3.32
2,937,548 A *	5/1960	McKim	B67B 7/186
				81/3.43
D234,122 S *	1/1975	Horblitt	D9/415
D267,783 S *	2/1983	Lang	D7/624.1



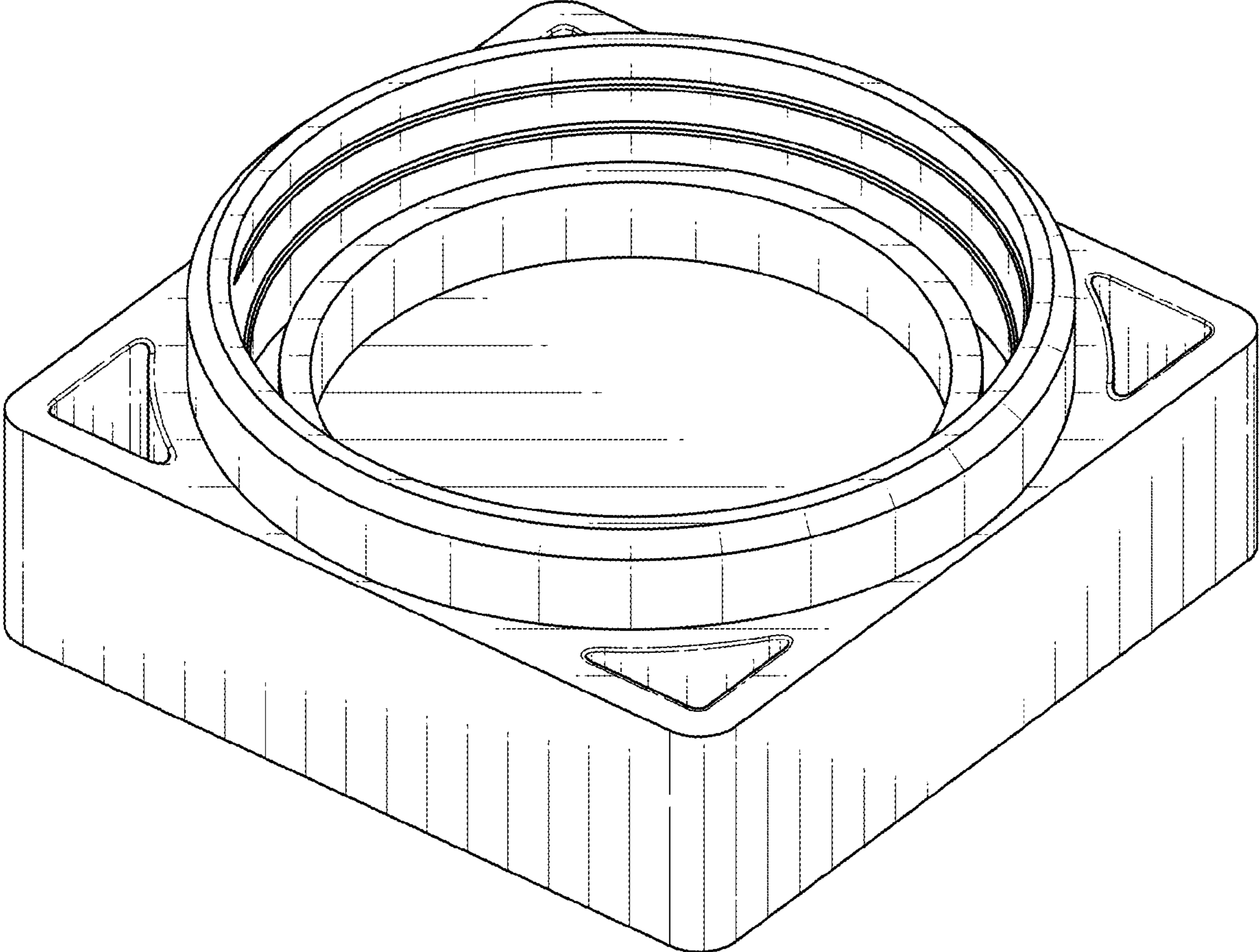


FIG. 1

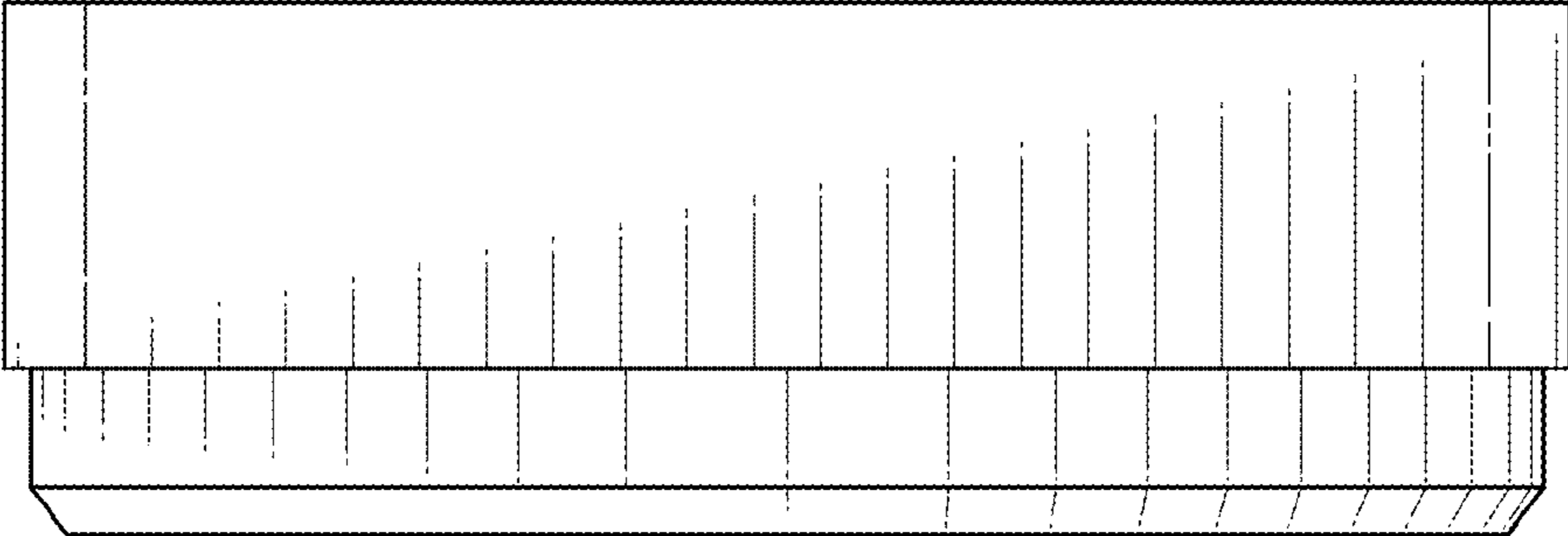


FIG. 2



FIG. 3

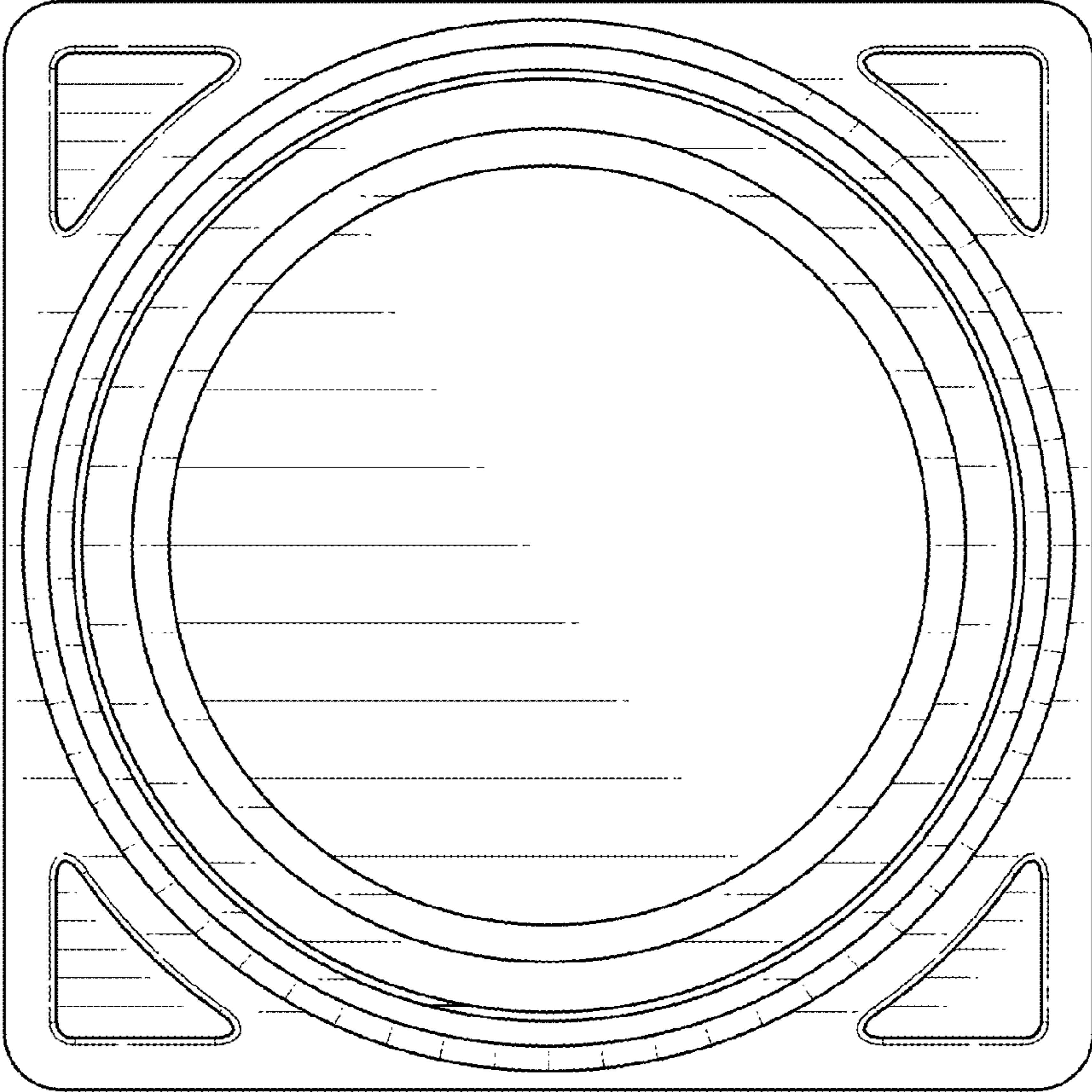


FIG. 4