



US00D950332S

(12) **United States Design Patent** (10) **Patent No.:** **US D950,332 S**
Chou (45) **Date of Patent:** **** May 3, 2022**

(54) **SOCKET**
(71) Applicant: **Chin-Ying Chou**, Taichung (TW)
(72) Inventor: **Chin-Ying Chou**, Taichung (TW)
(73) Assignee: **ACT QUALITY INDUSTRIAL CO., LTD.**, Taichung (TW)
(**) Term: **15 Years**
(21) Appl. No.: **29/756,175**
(22) Filed: **Oct. 26, 2020**
(51) **LOC (13) Cl.** **08-05**
(52) **U.S. Cl.**
USPC **D8/29**
(58) **Field of Classification Search**
USPC ... D8/14, 21, 22, 23, 24, 25, 26, 27, 28, 29;
D23/262
CPC B25B 13/06; B25B 13/065; B25B 13/48;
B25B 13/481; B25B 13/486
See application file for complete search history.

(56) **References Cited**

U.S. PATENT DOCUMENTS

5,664,467 A * 9/1997 Breeze B25B 13/065
81/114
D425,770 S * 5/2000 Hsieh D8/29
6,082,229 A * 7/2000 Shih B25B 23/108
81/125
6,098,502 A * 8/2000 Pendergrass B25B 13/102
81/124.3
D437,537 S * 2/2001 Carter, Jr. D8/29
6,339,981 B1 * 1/2002 Koochin B25B 13/48
81/124.4
D646,939 S * 10/2011 Johnson D8/29
D750,945 S * 3/2016 Baggett D8/29
D808,751 S * 1/2018 Scott D8/29
D832,068 S * 10/2018 Liu D8/29

2002/0178872 A1 * 12/2002 Ferrantelli B25B 13/04
81/124.3
2008/0245195 A1 * 10/2008 Lee B25B 27/18
81/124.6
2010/0116098 A1 * 5/2010 Kuo B25B 23/0021
81/121.1
2011/0120274 A1 * 5/2011 Huang B25B 13/06
81/121.1
2015/0040729 A1 * 2/2015 Ou B25B 23/0035
81/121.1
2015/0258666 A1 * 9/2015 Yeh B25B 13/463
81/60
2016/0271760 A1 * 9/2016 Hu B25B 13/56
2018/0291519 A1 * 10/2018 Liu C25D 5/623
2019/0176310 A1 * 6/2019 McKenzie B25B 23/105
2019/0293106 A1 * 9/2019 Panhoelzl F16B 37/14
2020/0078910 A1 * 3/2020 Hurley B25B 13/481
2020/0171628 A1 * 6/2020 Long F16K 31/602

* cited by examiner

Primary Examiner — Philip S Hyder

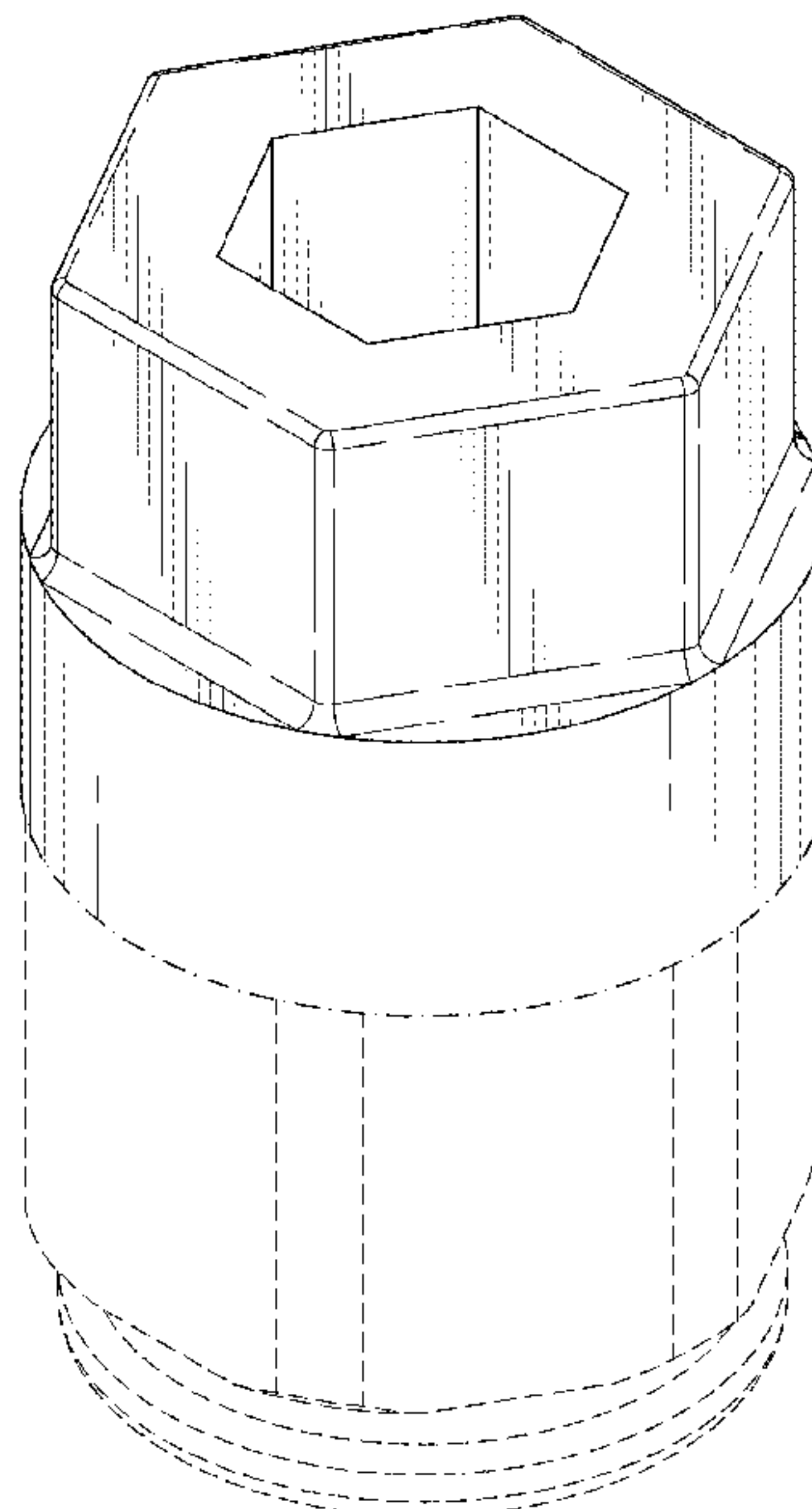
(57) **CLAIM**

The ornamental design for a socket, as shown and described.

DESCRIPTION

FIG. 1 is a front-right-top perspective view of the socket showing my new design;
FIG. 2 is a front elevational view thereof;
FIG. 3 is a rear front elevational view thereof;
FIG. 4 is a left side elevational view thereof;
FIG. 5 is a right side elevational view thereof;
FIG. 6 is a top plan view thereof;
FIG. 7 is a bottom plan view thereof;
FIG. 8 is a front-right-bottom perspective view thereof; and,
FIG. 9 is a cross sectional view, taken along line 9-9 in FIG. 6.
The broken lines in the drawings illustrate portions of the socket which form no part of the claimed design.

1 Claim, 9 Drawing Sheets



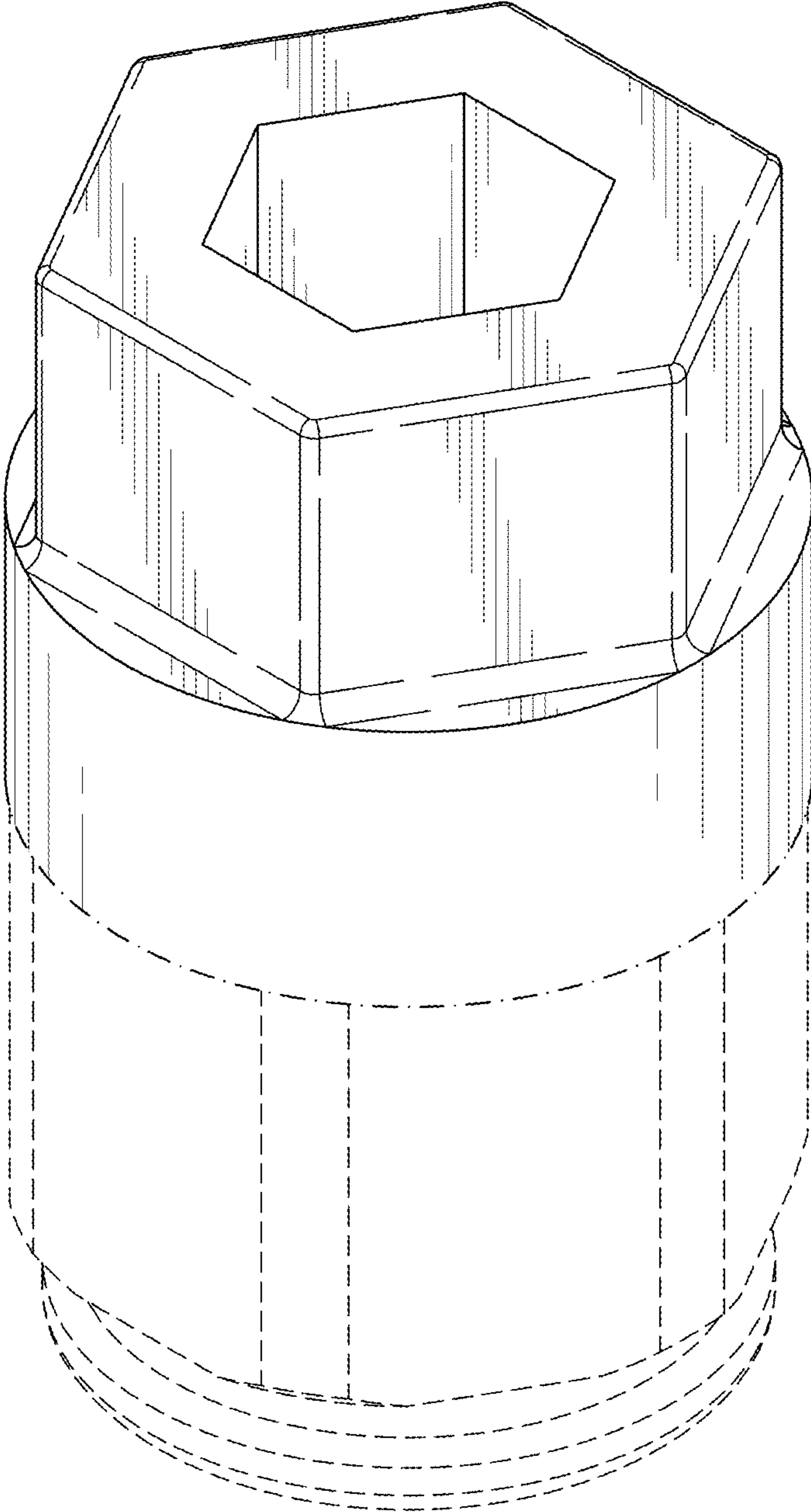


FIG.1

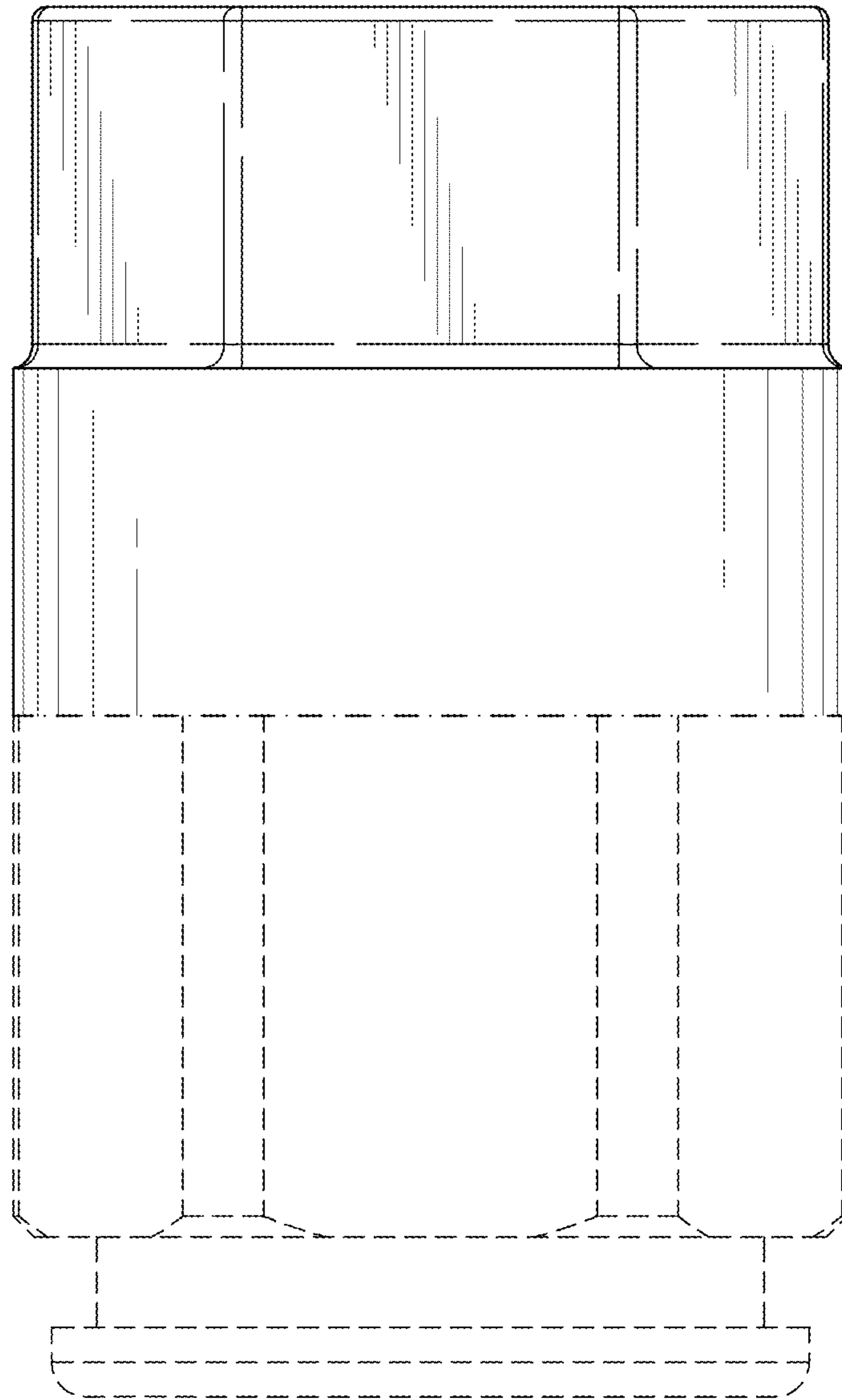


FIG.2

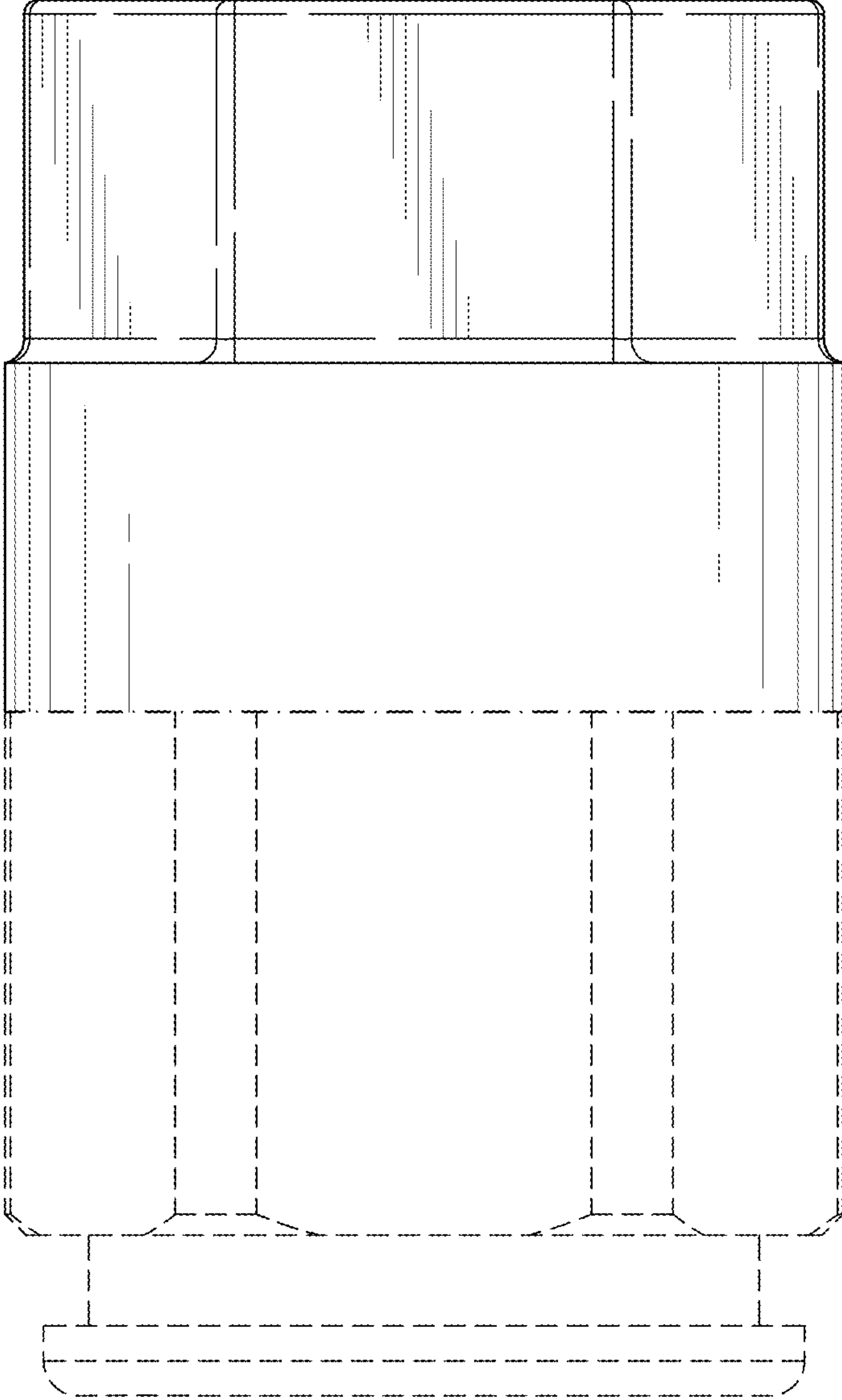


FIG.3

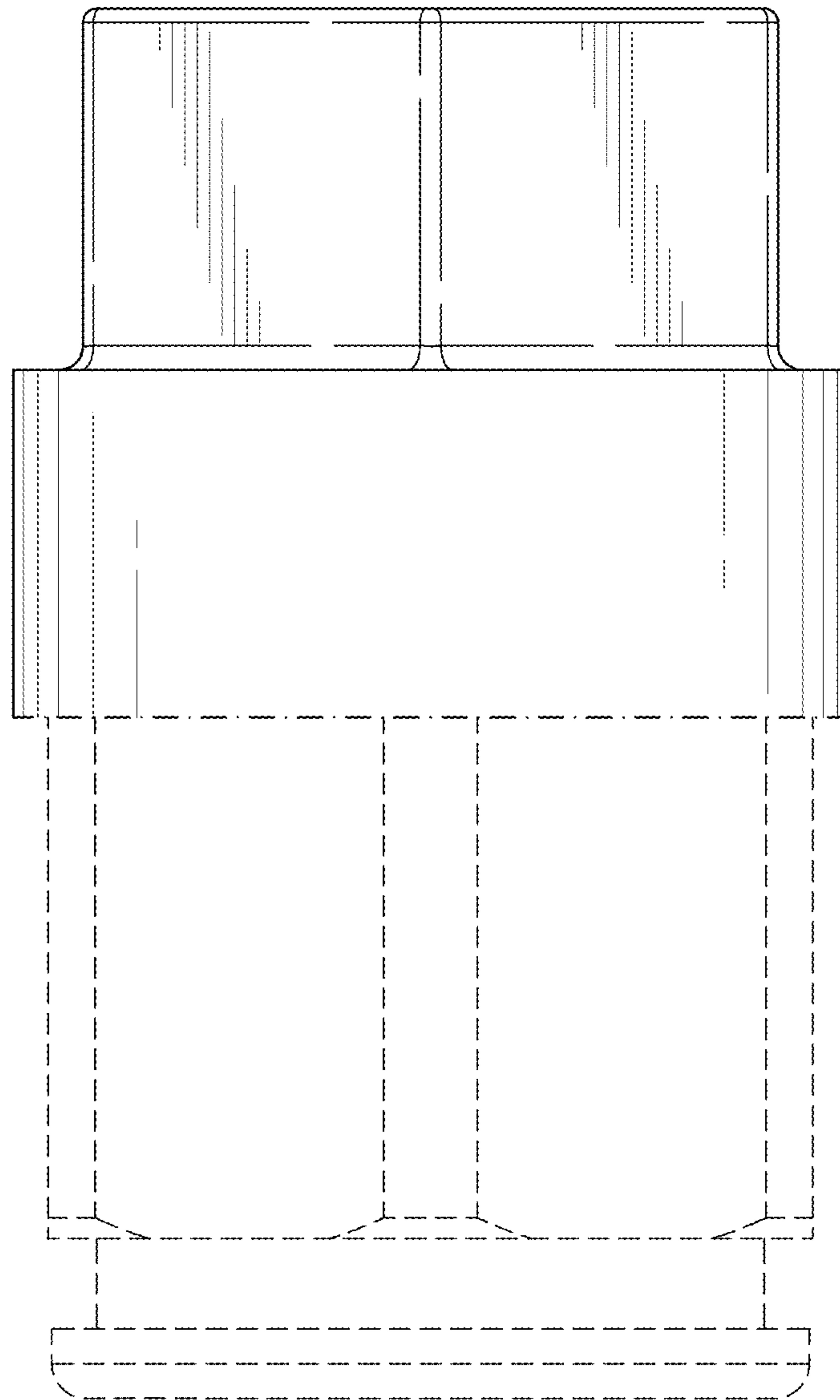


FIG.4

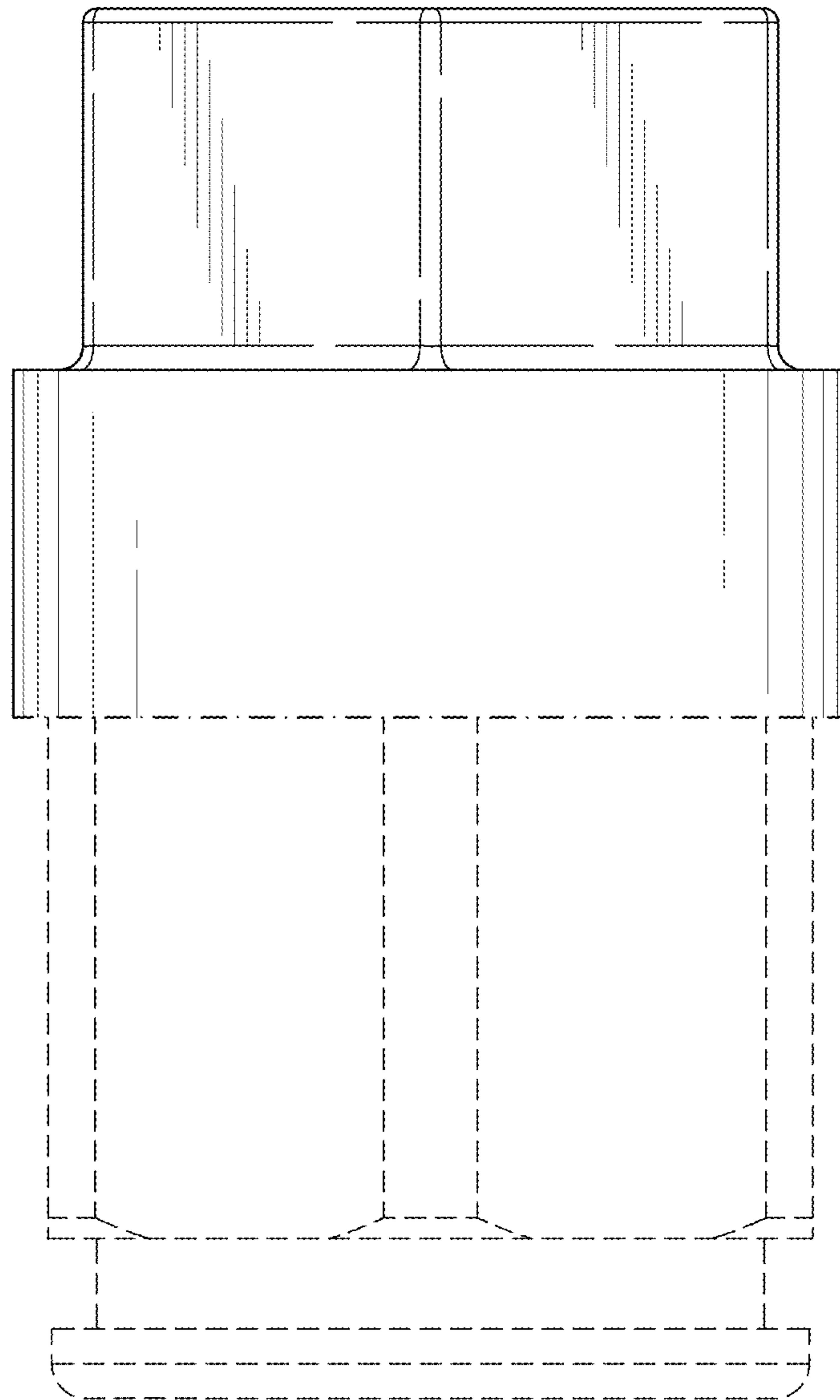


FIG.5

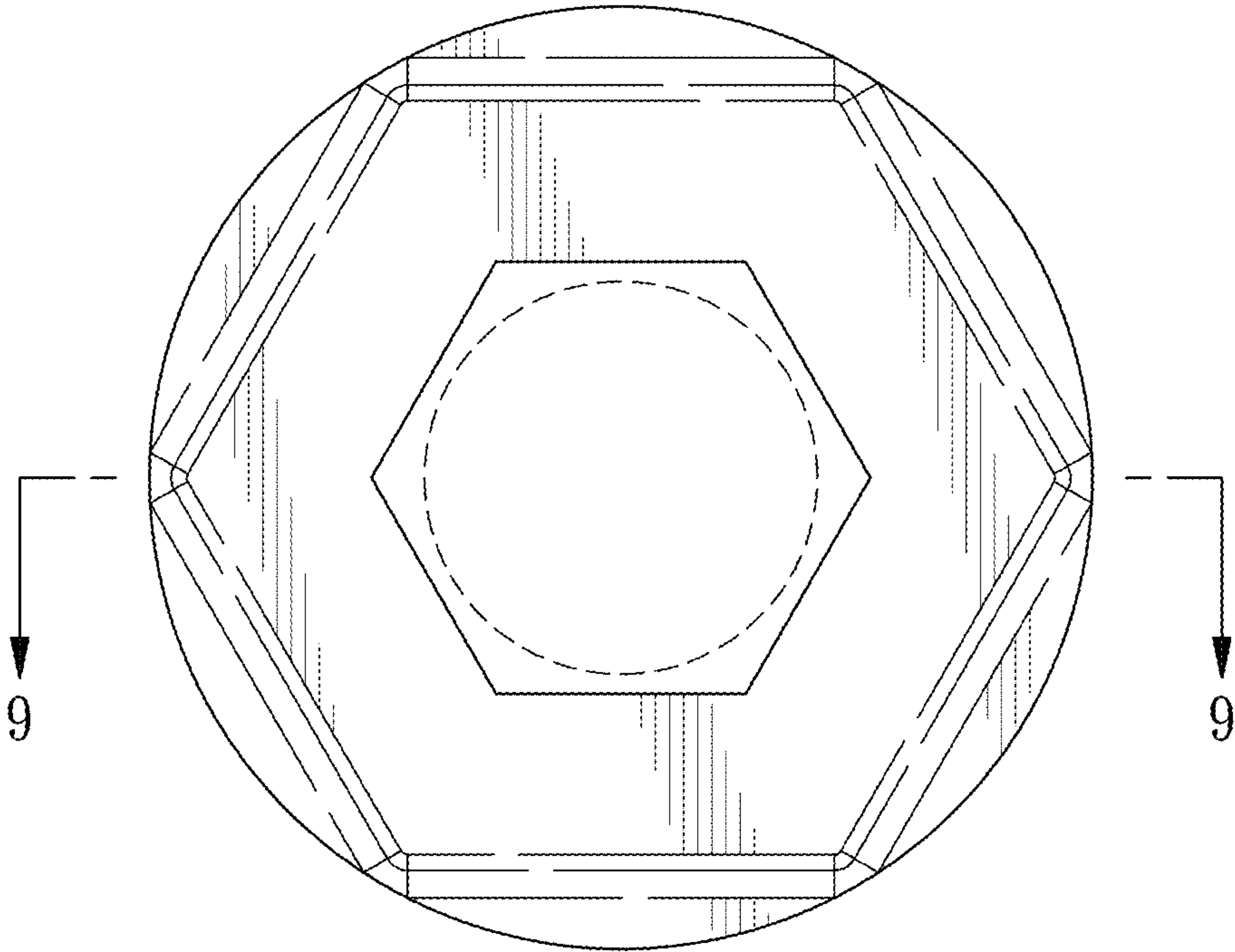


FIG.6

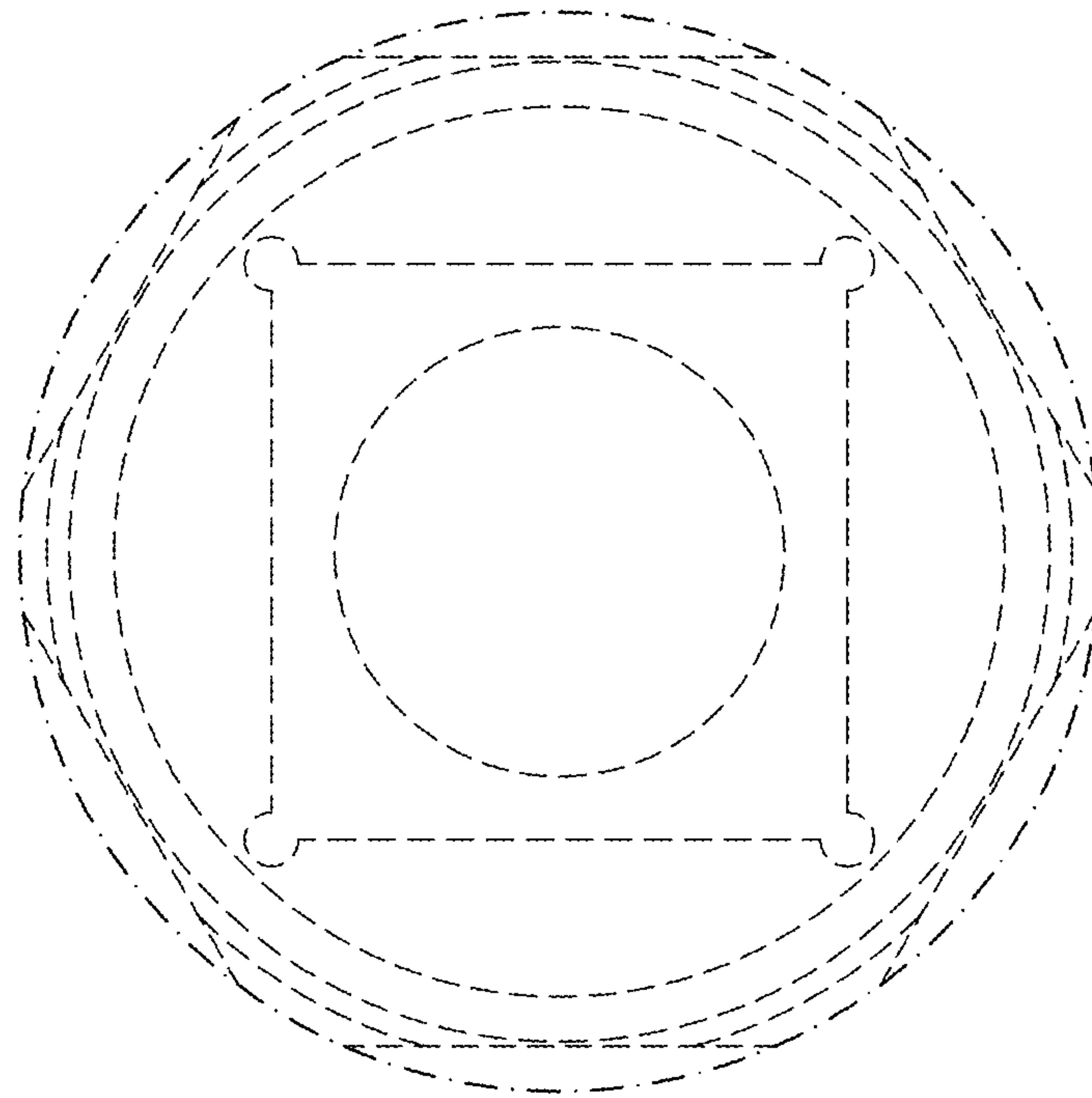


FIG. 7

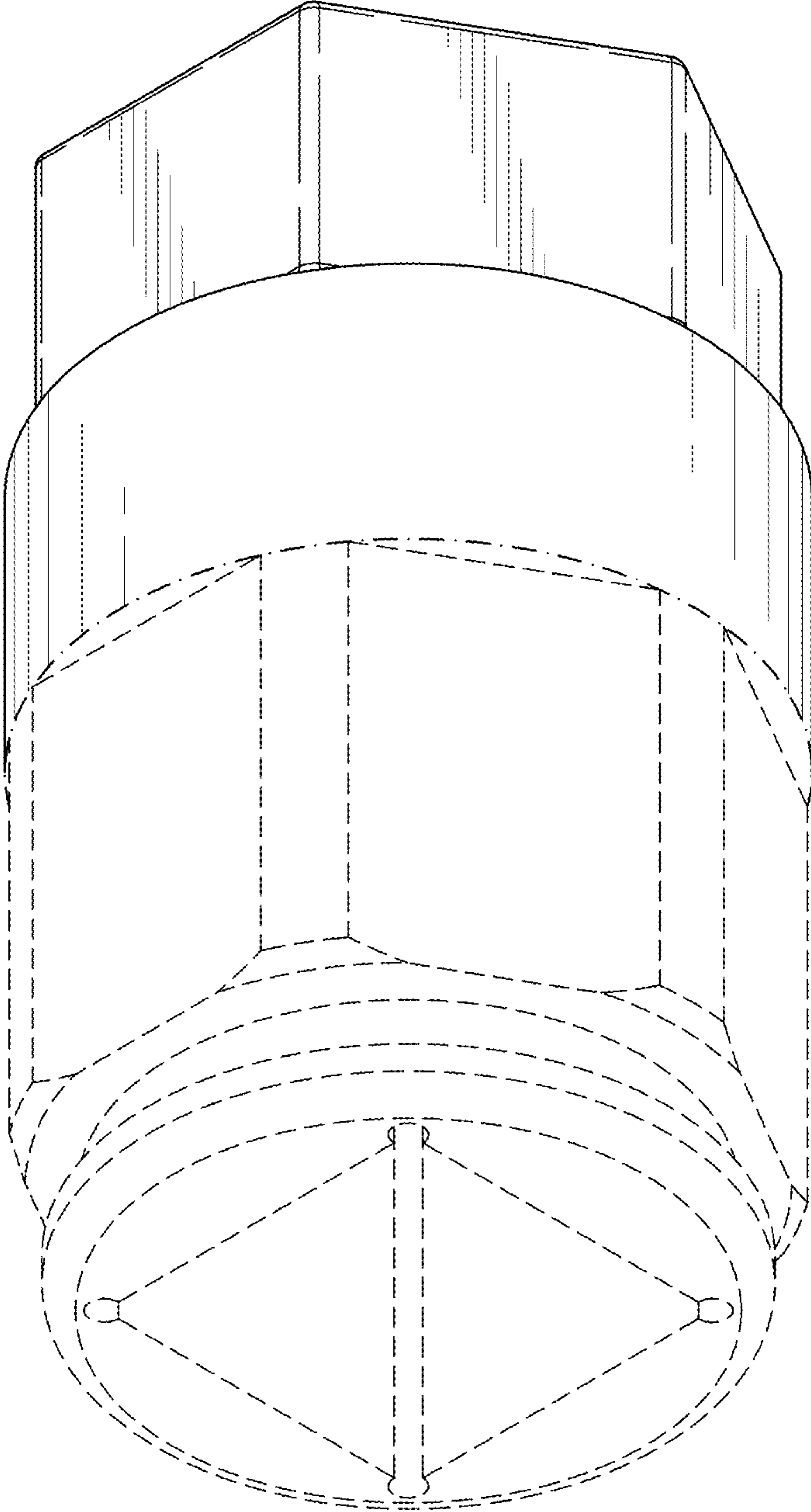


FIG.8

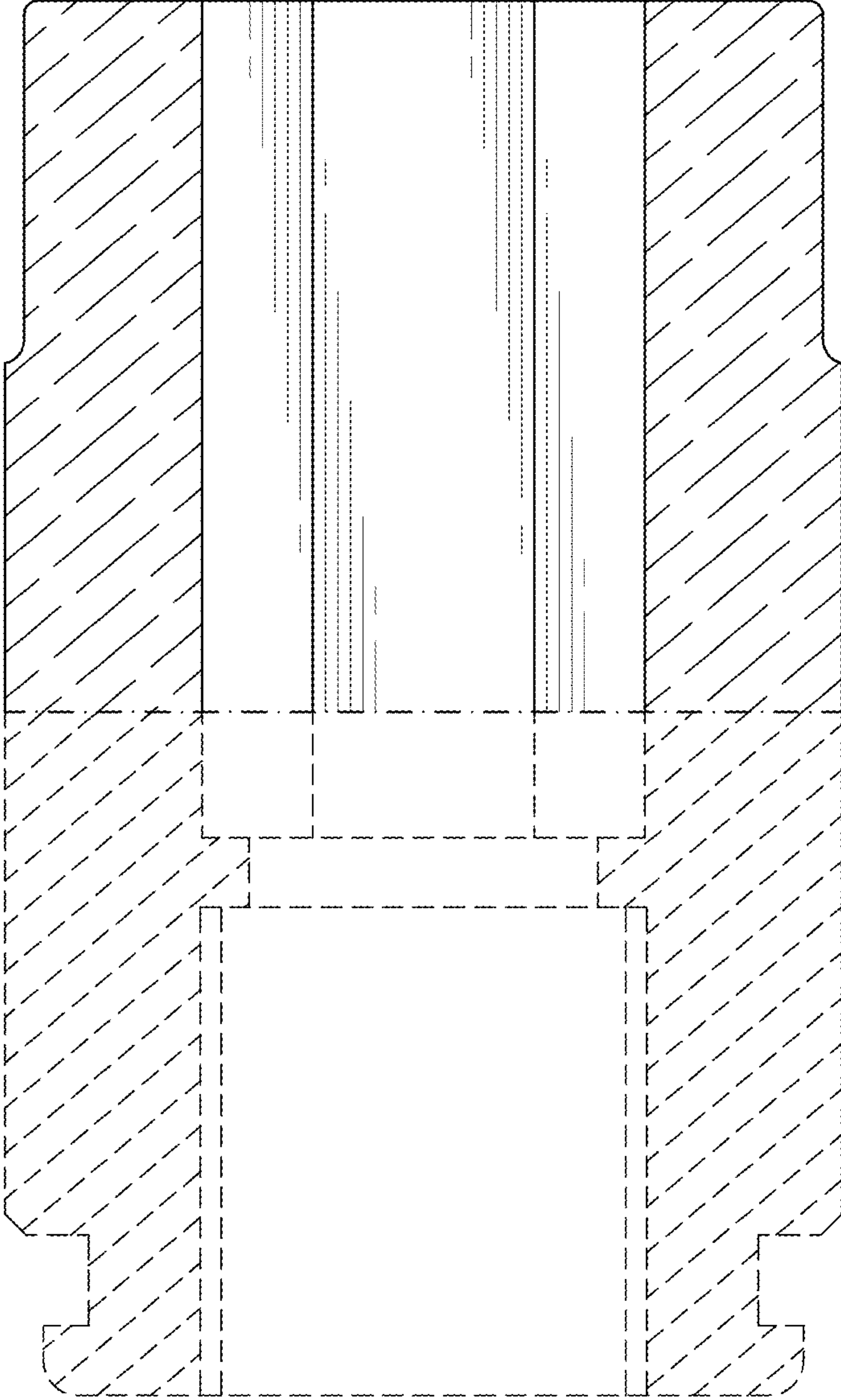


FIG.9