



US00D950331S

(12) **United States Design Patent** (10) **Patent No.:** **US D950,331 S**
Singh (45) **Date of Patent:** **** May 3, 2022**

(54) **TOOL**
(71) Applicant: **Joshua George Singh**, Calgary (CA)
(72) Inventor: **Joshua George Singh**, Calgary (CA)
(**) Term: **15 Years**
(21) Appl. No.: **29/615,419**
(22) Filed: **Aug. 29, 2017**
(51) **LOC (13) Cl.** **08-05**
(52) **U.S. Cl.**
USPC **D8/14; D25/199**
(58) **Field of Classification Search**
USPC D8/14, 75, 77, 81, 105, 499; D25/119,
D25/164, 199
CPC B25B 27/00; B25B 27/0092; B25B 27/02;
B25B 27/14; B25B 33/00; B25D 1/12
See application file for complete search history.

D741,123 S * 10/2015 Calman D8/14
9,366,040 B2 * 6/2016 Singh E04F 19/064
D837,619 S * 1/2019 George D8/14
D846,366 S * 4/2019 Kraljic D8/77
2020/0217080 A1 * 7/2020 Singh E04F 19/064

OTHER PUBLICATIONS

HammerBlock, EasyTrimReveals.com, available since Aug. 6, 2017, online. Site visited on May 17, 2019. Internet URL:<"https://easytrimreveals.com/fibercement/profiles/hammerblock/"> (Year: 2017).*

* cited by examiner

Primary Examiner — Llorellys Martinez

(74) *Attorney, Agent, or Firm* — Tai W. Nahm; Nahm IP Law

(57) **CLAIM**

The ornamental design for a tool, as shown and described.

DESCRIPTION

FIG. 1 illustrates a top front left perspective view of the tool comprising a new design.

FIG. 2 illustrates a top rear right perspective view thereof.

FIG. 3 illustrates a top rear left perspective view thereof.

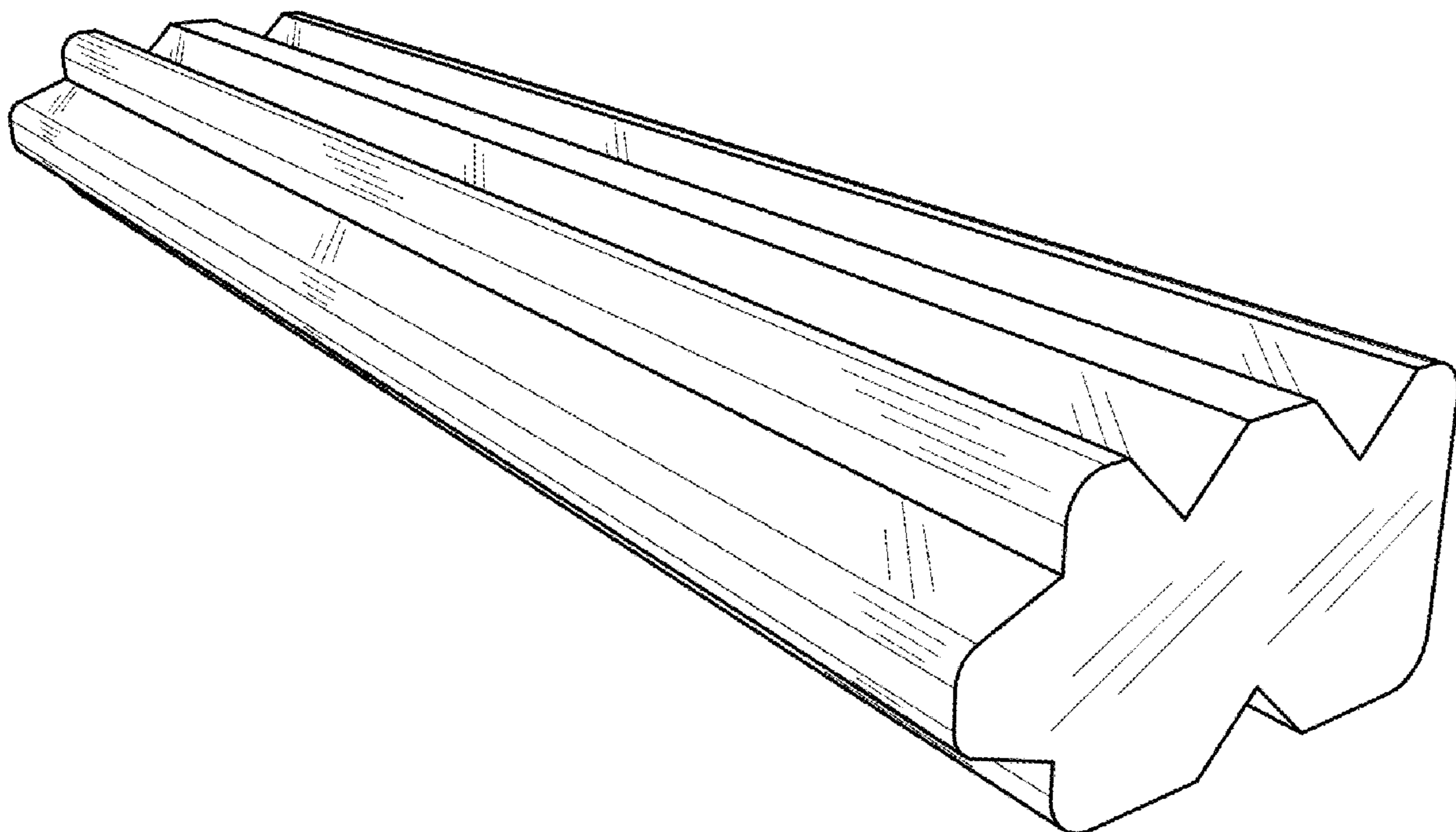
FIG. 4 illustrates a bottom rear right perspective view thereof; and,

FIG. 5 illustrates a top front right perspective view thereof.

1 Claim, 2 Drawing Sheets

(56) **References Cited**
U.S. PATENT DOCUMENTS

D282,712 S * 2/1986 Rademacher D8/14
D298,407 S * 11/1988 Vowell, Jr. D8/14
D346,728 S * 5/1994 Lawson D8/14
D501,767 S * 2/2005 Kenny D8/14
D567,645 S * 4/2008 Cooper D8/499
D571,171 S * 6/2008 Albritton D8/14
D575,879 S * 8/2008 Wrightman D25/121



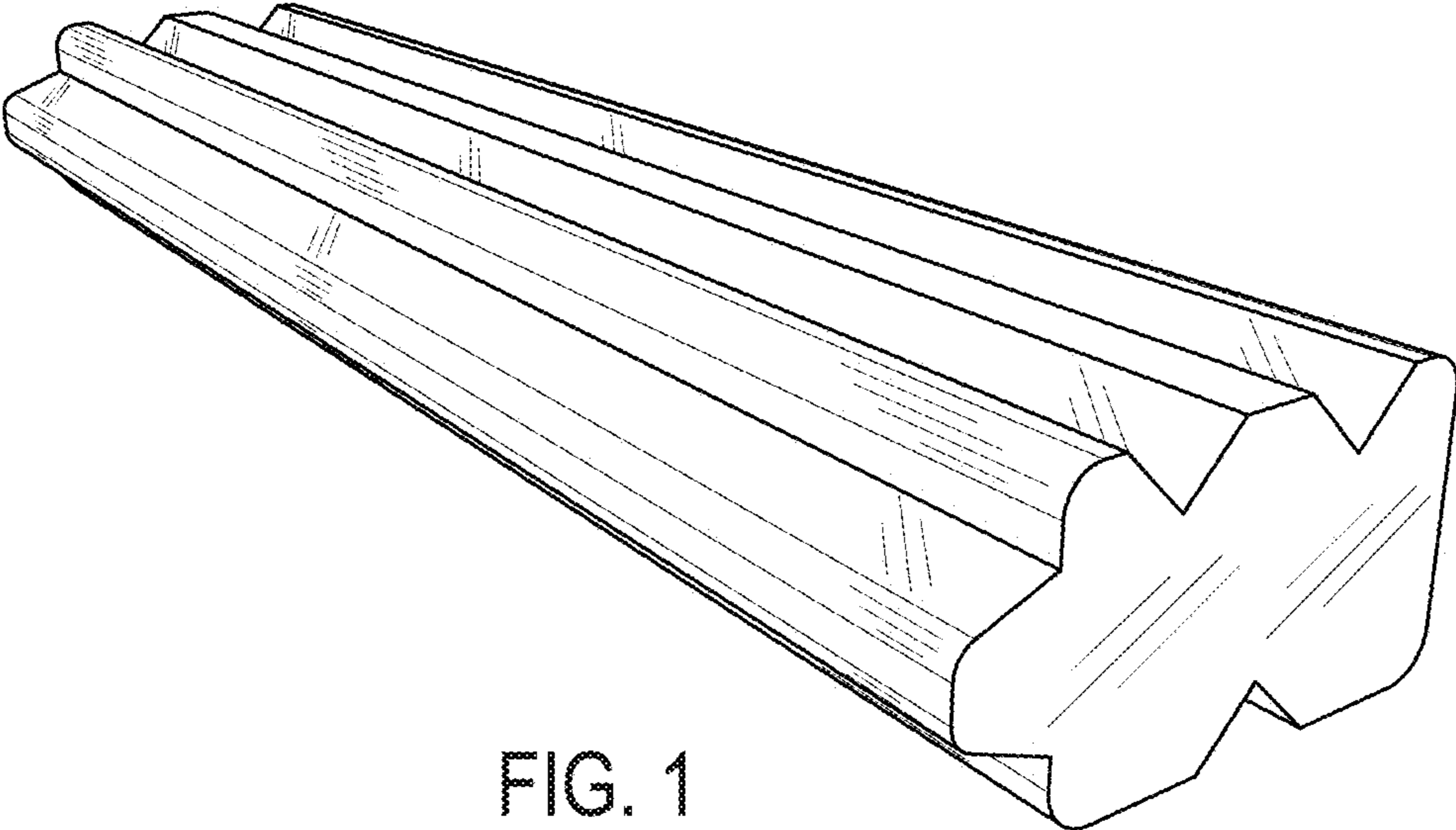


FIG. 1

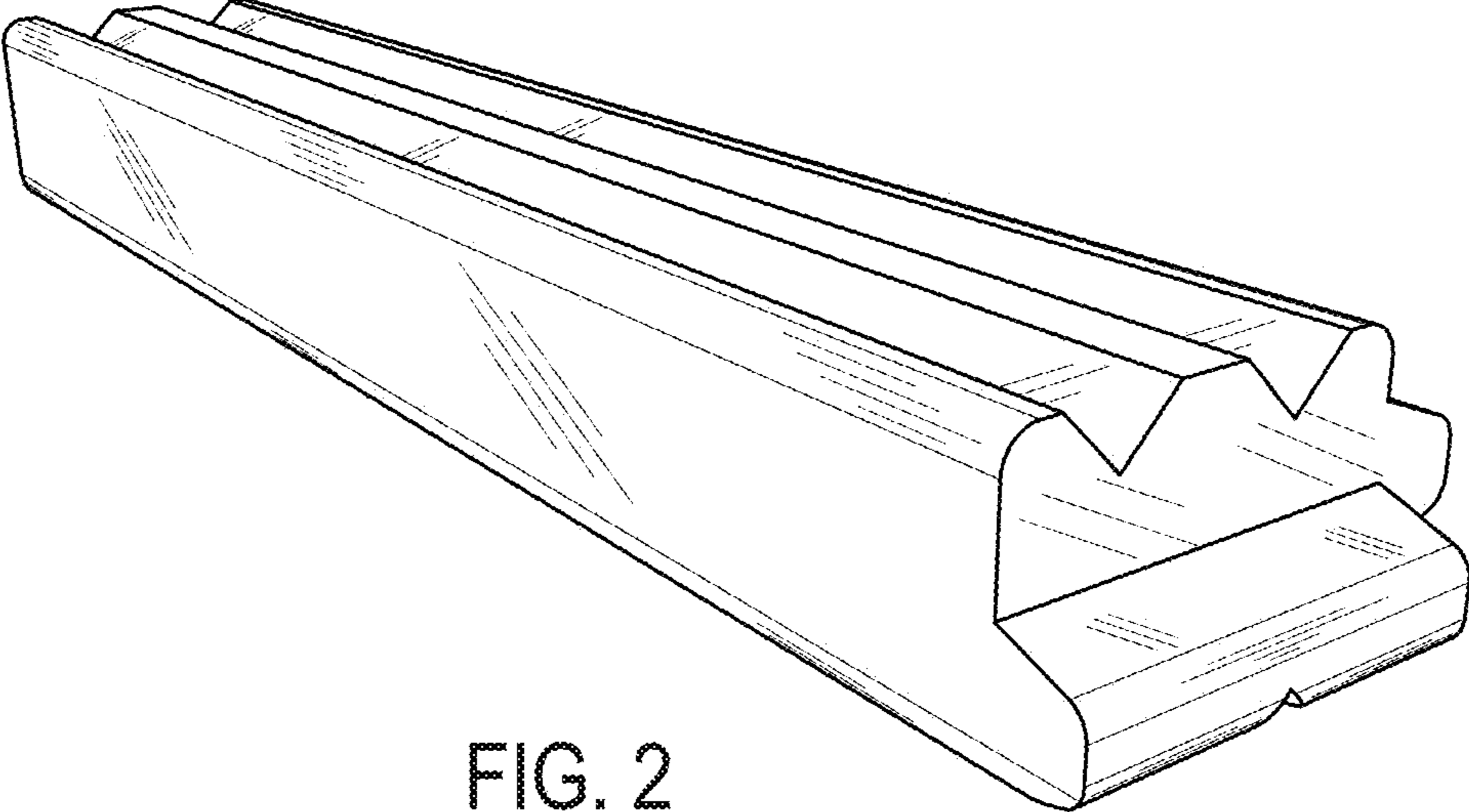


FIG. 2

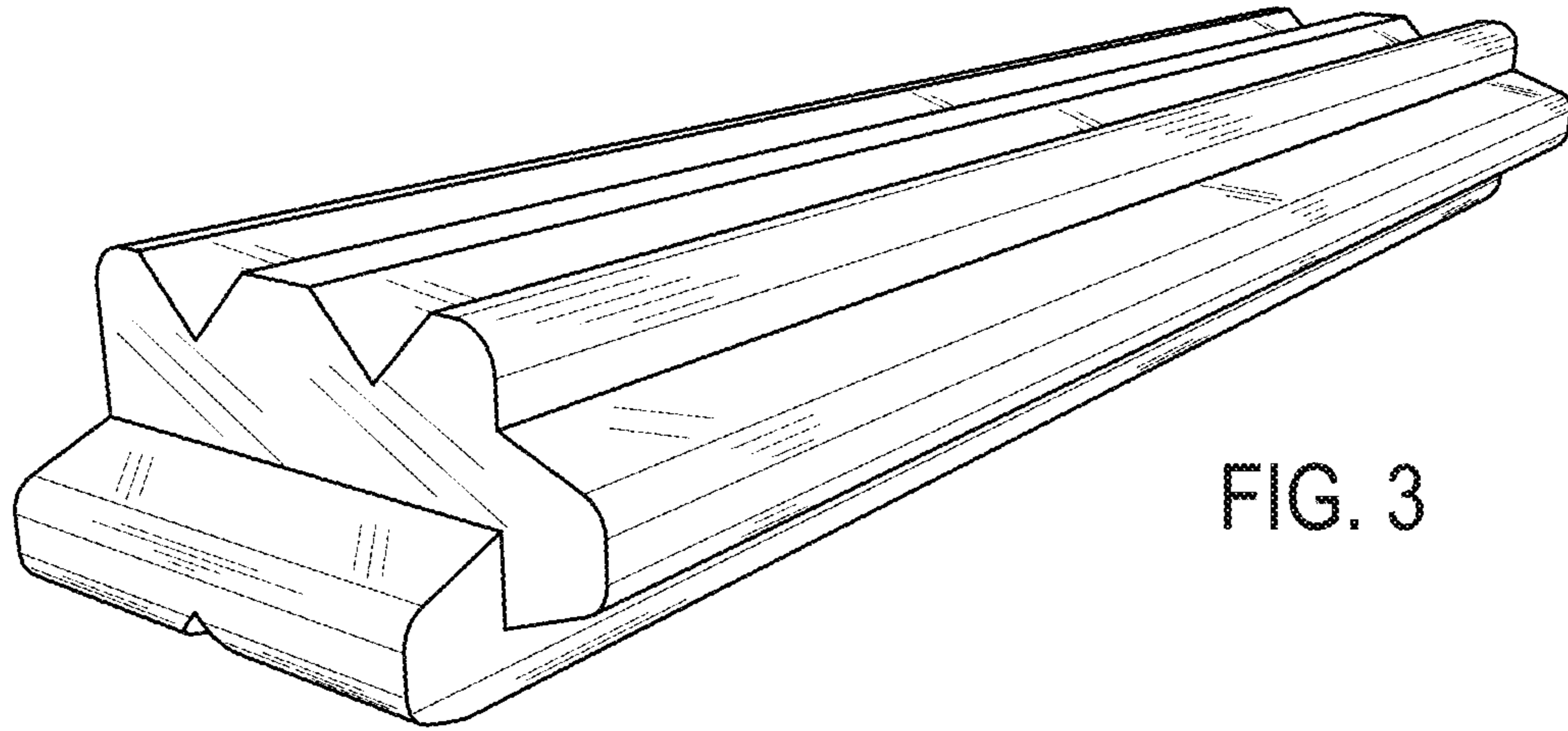


FIG. 3

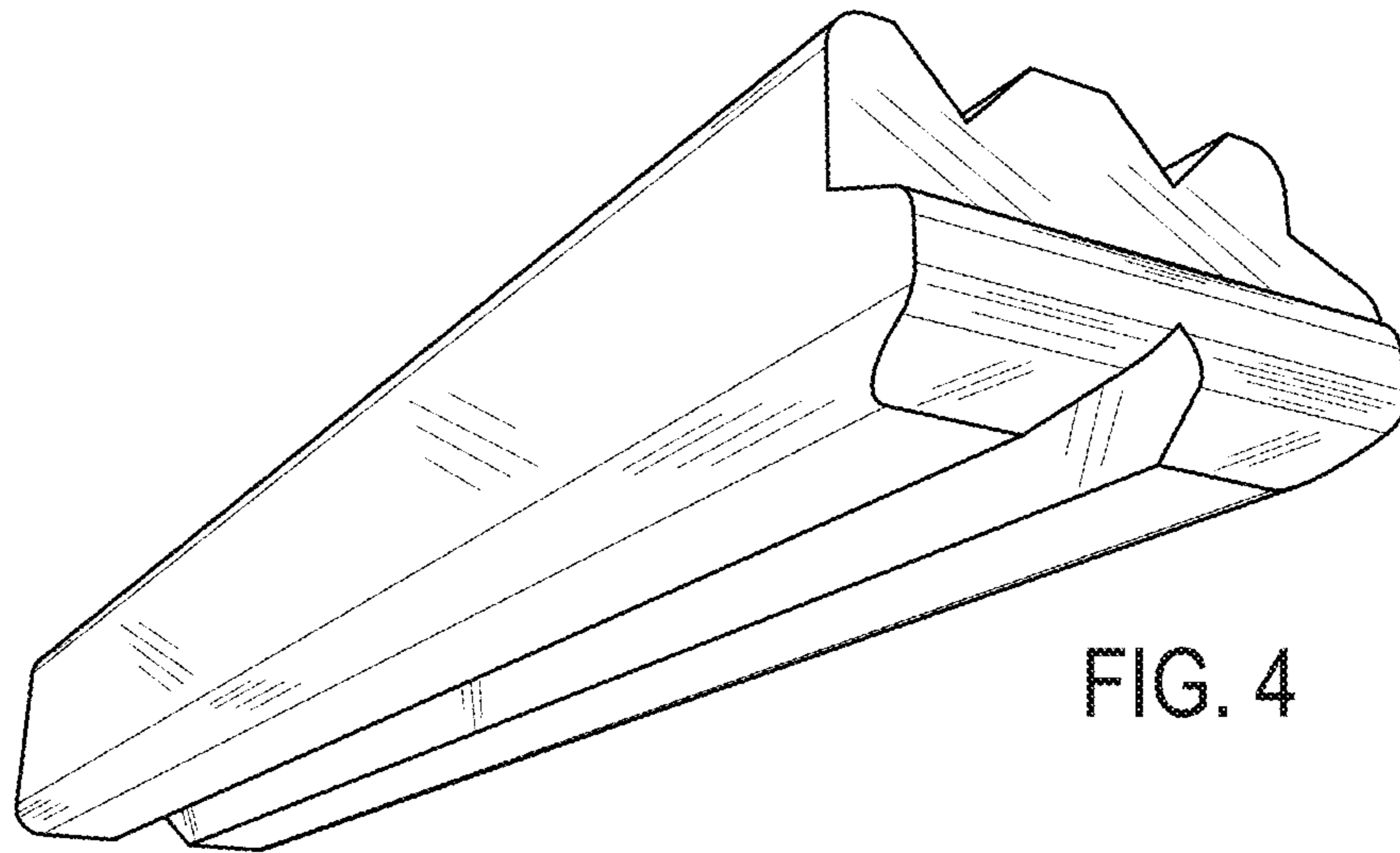


FIG. 4

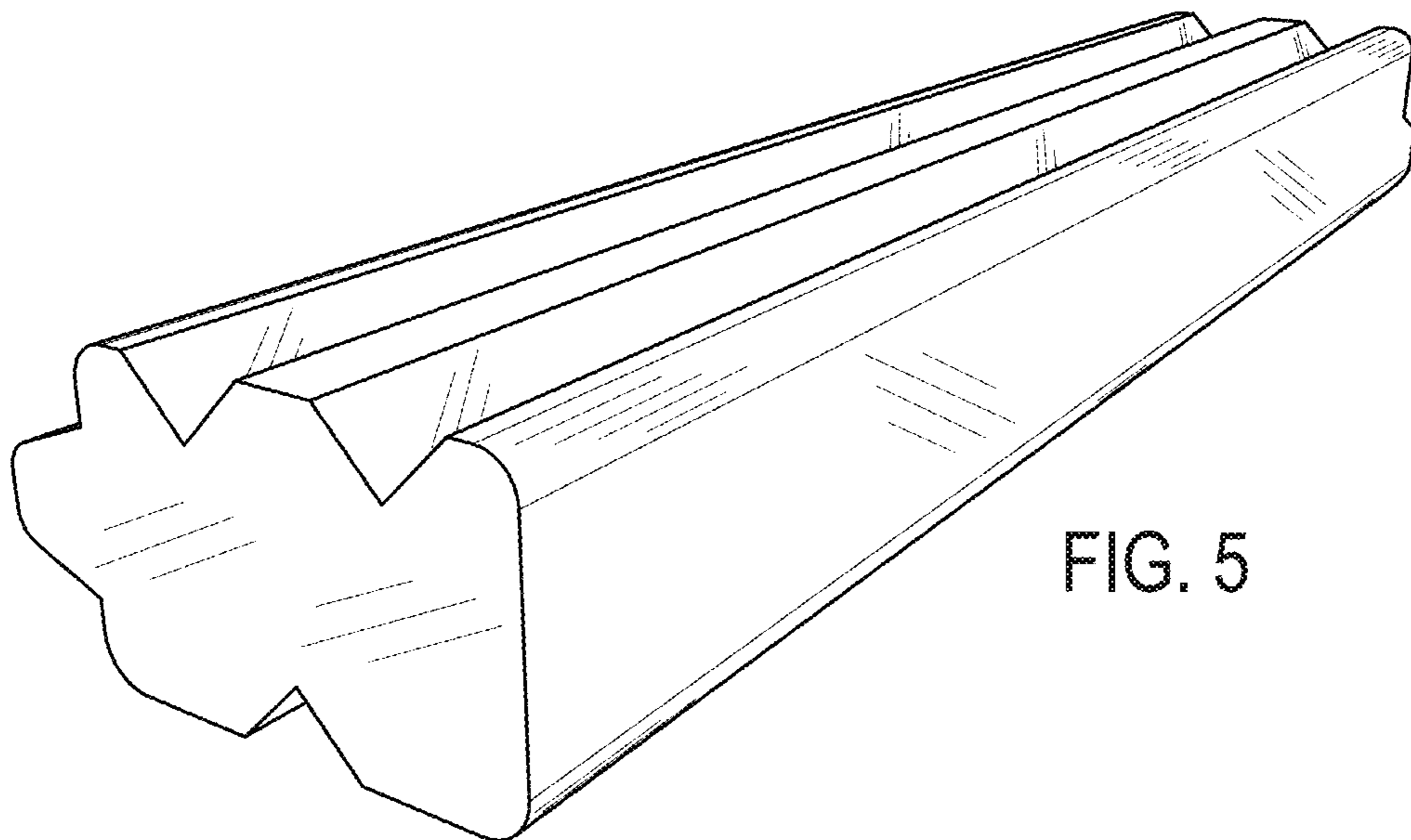


FIG. 5