



US00D950330S

(12) **United States Design Patent**
Weber et al.

(10) **Patent No.: US D950,330 S**
(45) **Date of Patent: ** May 3, 2022**

- (54) **SOIL BLOCK TOOL**
- (71) Applicant: **Fiskars Finland Oy Ab**, Helsinki (FI)
- (72) Inventors: **Emery Weber**, Helsinki (FI); **Stephen Dechant**, Helsinki (FI); **James Meiller**, Helsinki (FI); **Rachel Belter**, Helsinki (FI)
- (73) Assignee: **FISKARS FINLAND OY AB**, Helsinki (FI)
- (**) Term: **15 Years**
- (21) Appl. No.: **29/711,690**
- (22) Filed: **Nov. 1, 2019**
- (51) **LOC (13) Cl.** **08-01**
- (52) **U.S. Cl.**
USPC **D8/1**
- (58) **Field of Classification Search**
USPC D23/213, 223; D8/1, 2
CPC A01B 1/00
See application file for complete search history.

(56) **References Cited**

U.S. PATENT DOCUMENTS

- 4,182,002 A * 1/1980 Holec A22C 9/001
99/532
- 4,819,735 A * 4/1989 Puckett A01B 1/243
172/72
- 6,123,374 A * 9/2000 Elder A01B 1/165
294/50
- 6,176,326 B1 * 1/2001 David G01N 1/08
175/20
- 6,338,512 B1 * 1/2002 Ruppert A01B 1/02
294/50.8
- D604,801 S * 11/2009 Zore A01B 1/02
D23/213

- 8,888,570 B2 * 11/2014 Doyle A22C 9/001
452/144
- D746,944 S * 1/2016 Naslund A22C 9/001
D23/213
- D901,626 S * 11/2020 Johnston D23/213
- D911,133 S * 2/2021 Ruppert G01N 1/08
D8/10
- 2010/0060022 A1 * 3/2010 Alcov A01C 5/02
294/50.7
- 2011/0163559 A1 * 7/2011 Alcov A01B 1/165
294/50

* cited by examiner

Primary Examiner — Rachel A. Voorhies
Assistant Examiner — Benjamin D. Wannemacher
(74) *Attorney, Agent, or Firm* — Leason Ellis LLP

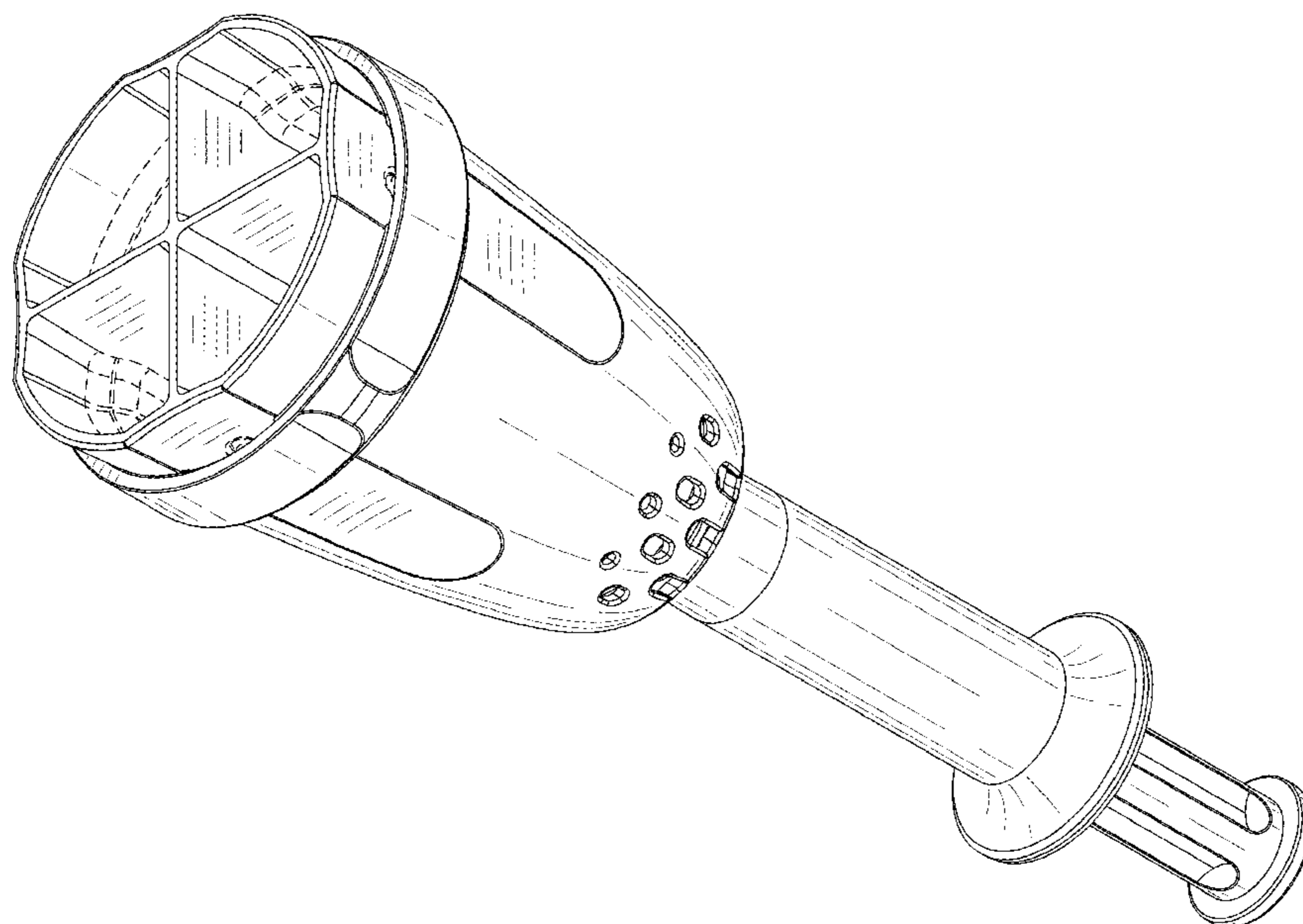
(57) **CLAIM**

The ornamental design for a soil block tool, as shown and described.

DESCRIPTION

FIG. 1 is a perspective view of a soil block tool according to our new design;
FIG. 2 is a front view thereof;
FIG. 3 is a rear view thereof;
FIG. 4 is a right, side view thereof;
FIG. 5 is a left, side view thereof;
FIG. 6 is a top plan view thereof; and,
FIG. 7 is a bottom plan view thereof.
Conventional shading is illustrated for purposes of highlighting the line drawings, but forms no part of the claimed design.
The broken lines in the figures illustrate portions of the soil block tool that form no part of the claimed design.

1 Claim, 7 Drawing Sheets



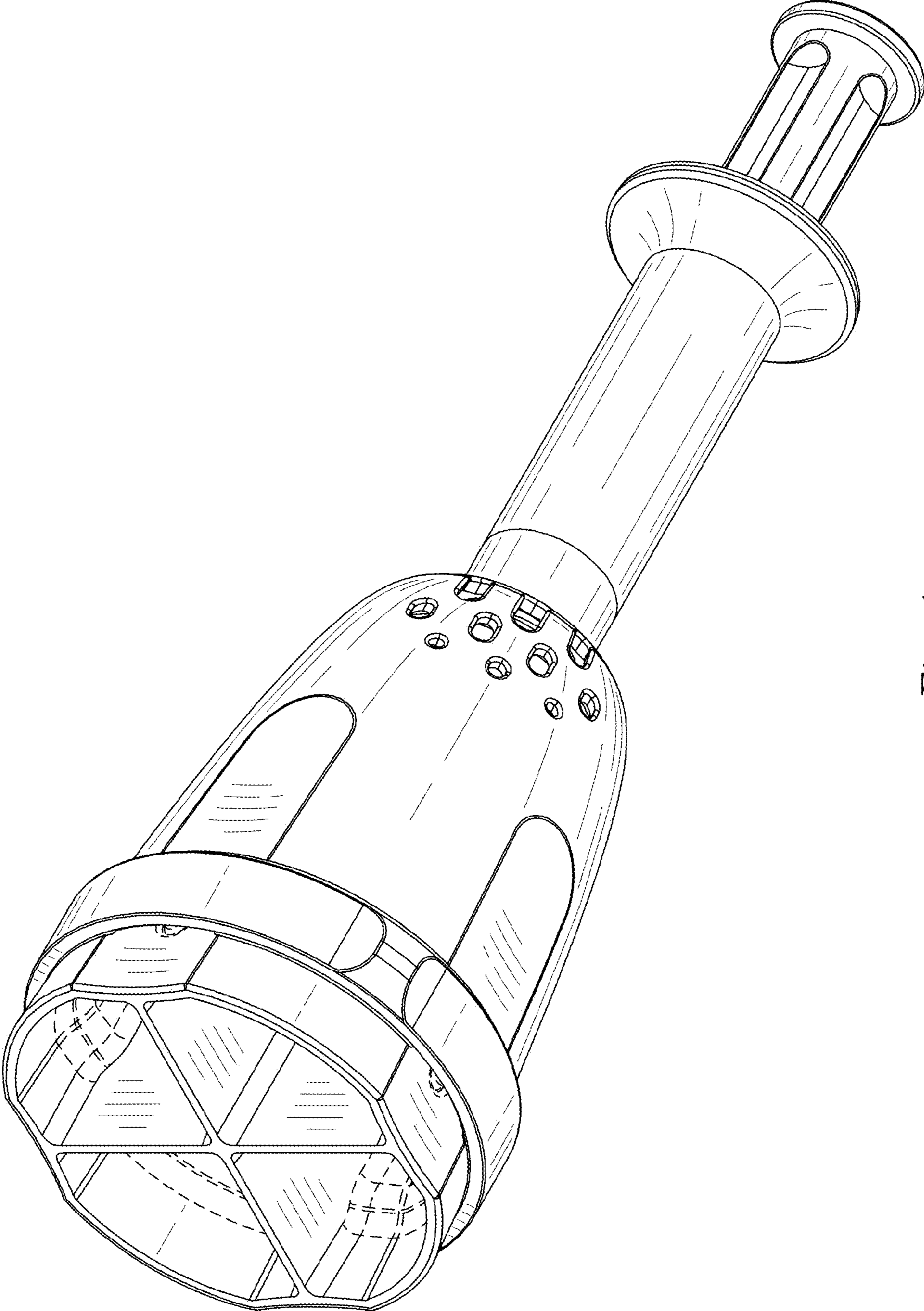


Fig. 1

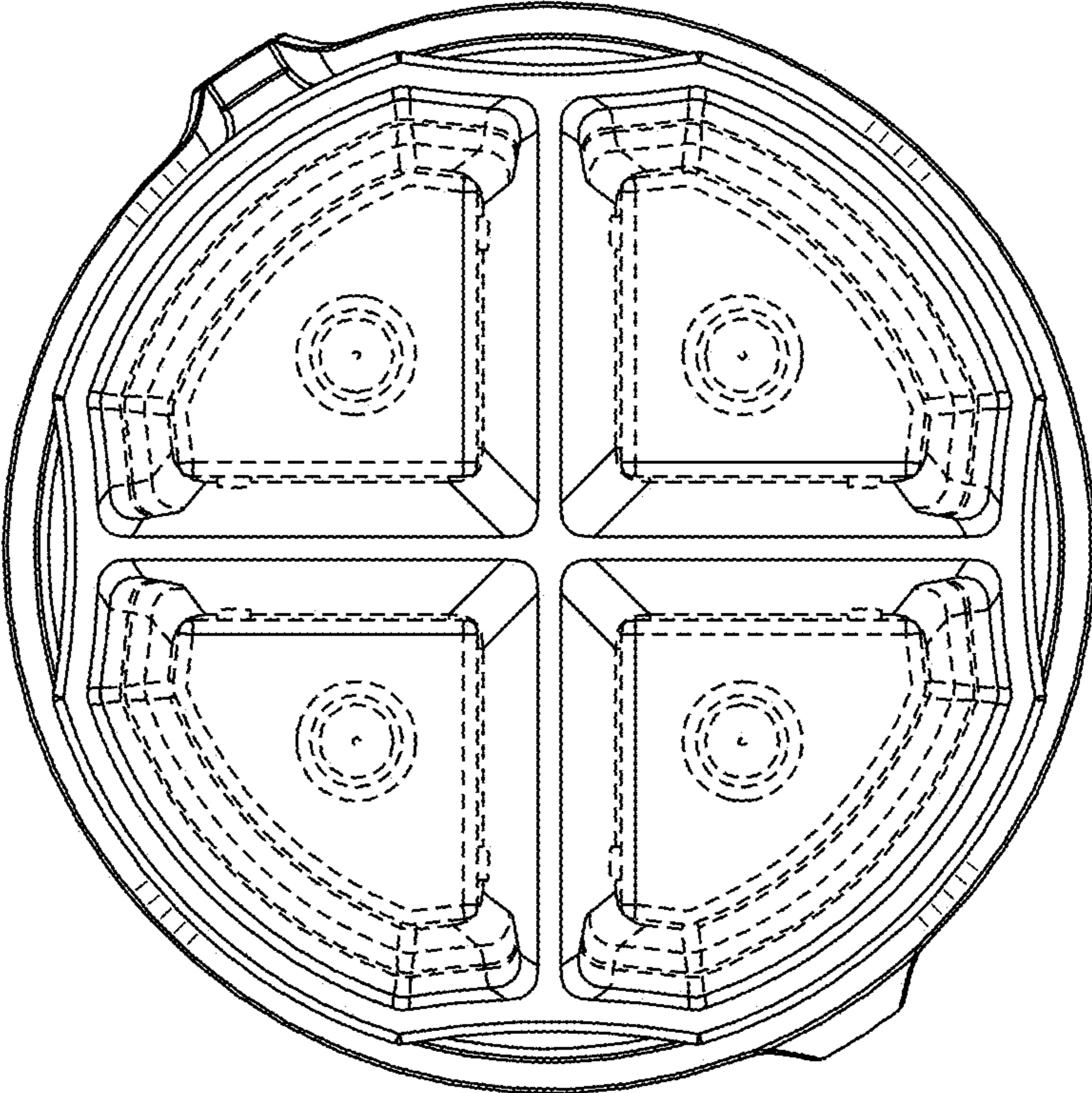


Fig. 2

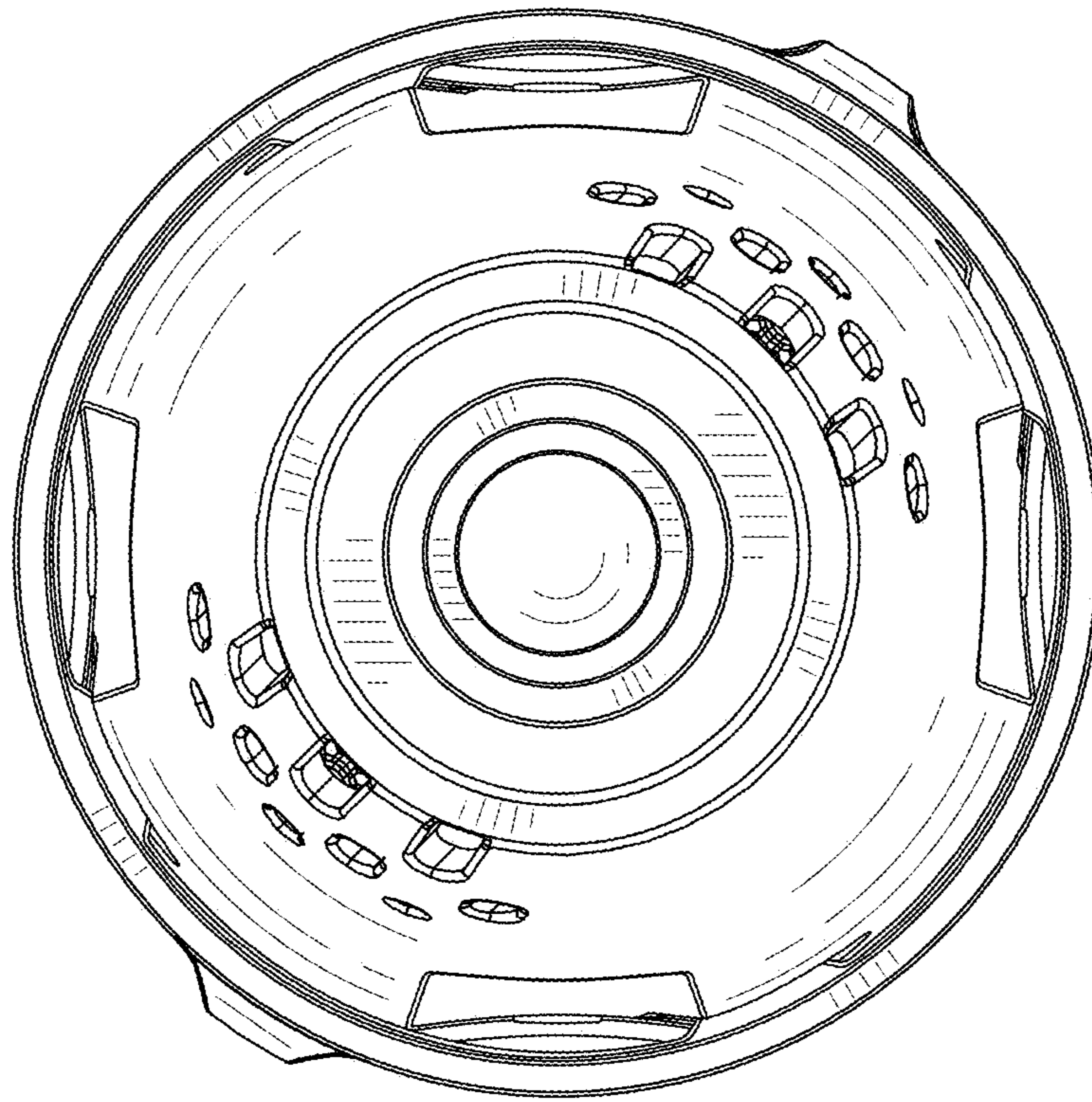


Fig. 3

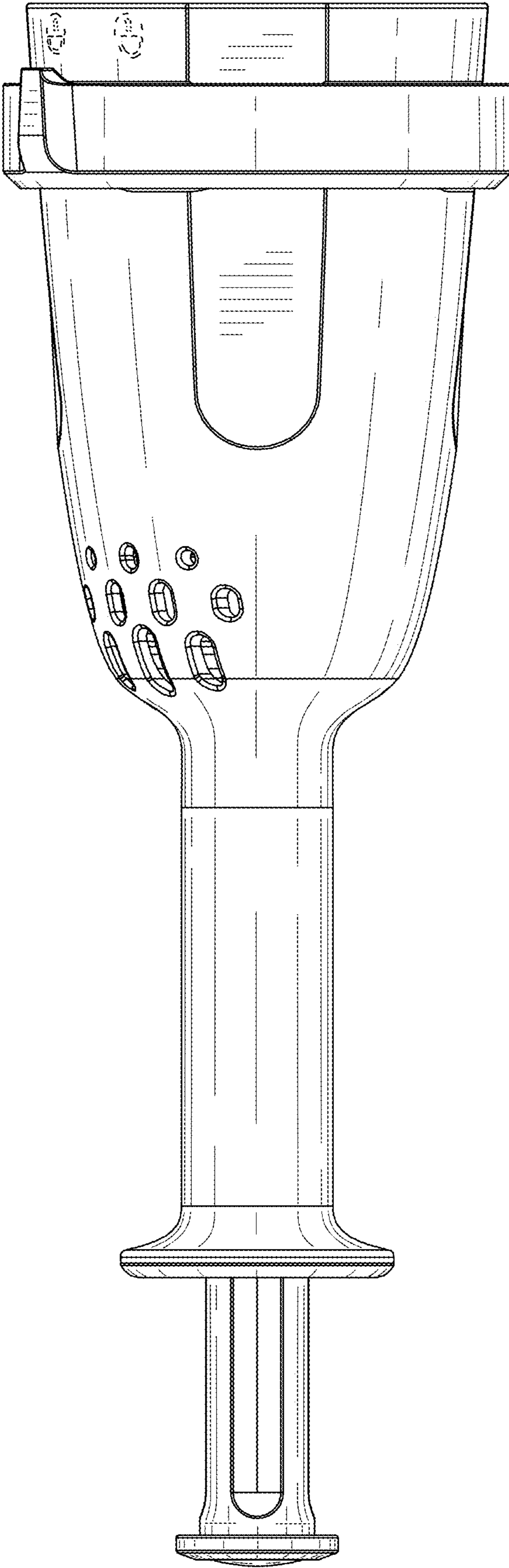


Fig. 4

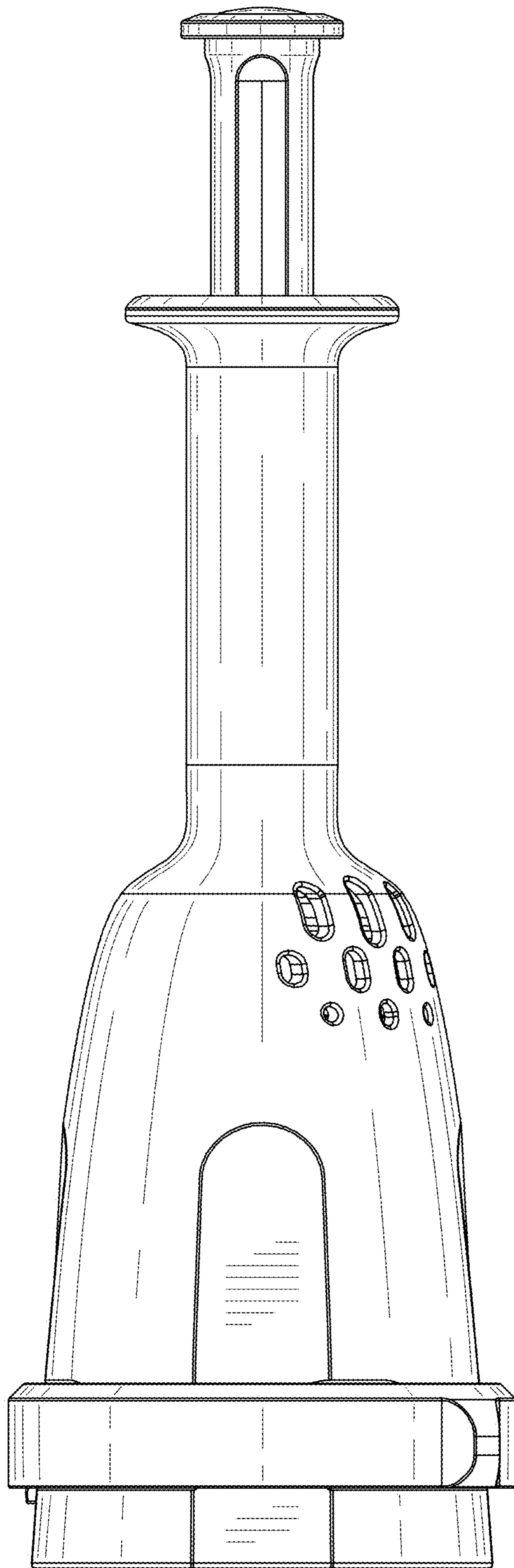


Fig. 5

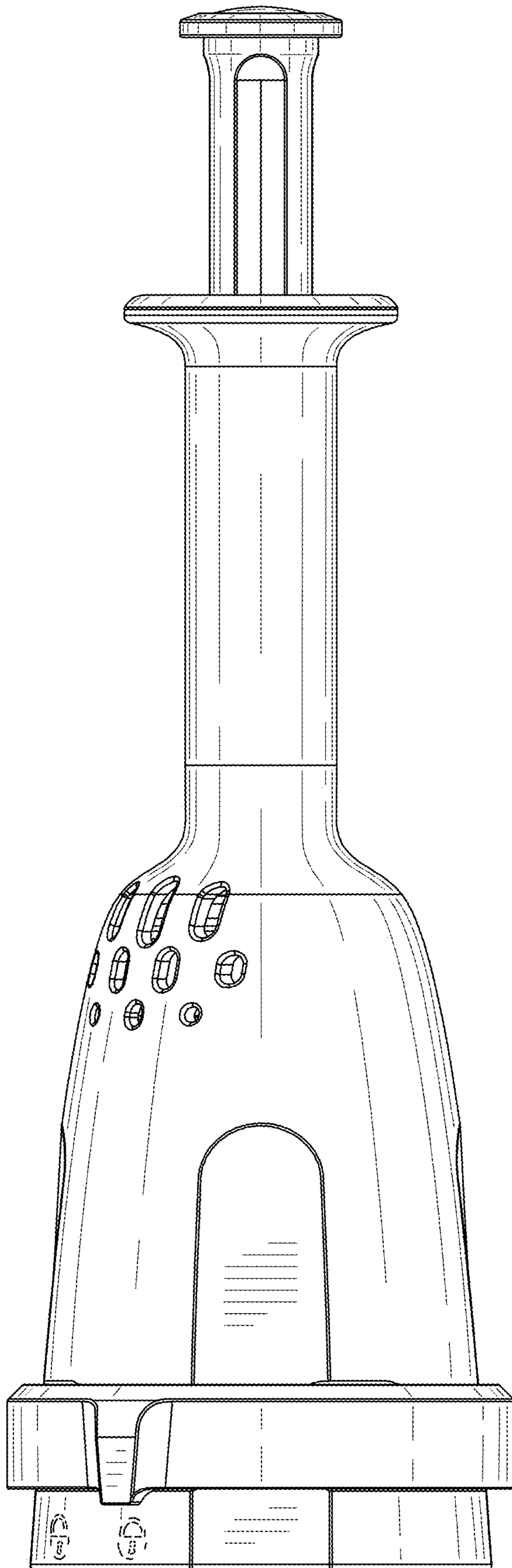


Fig. 6

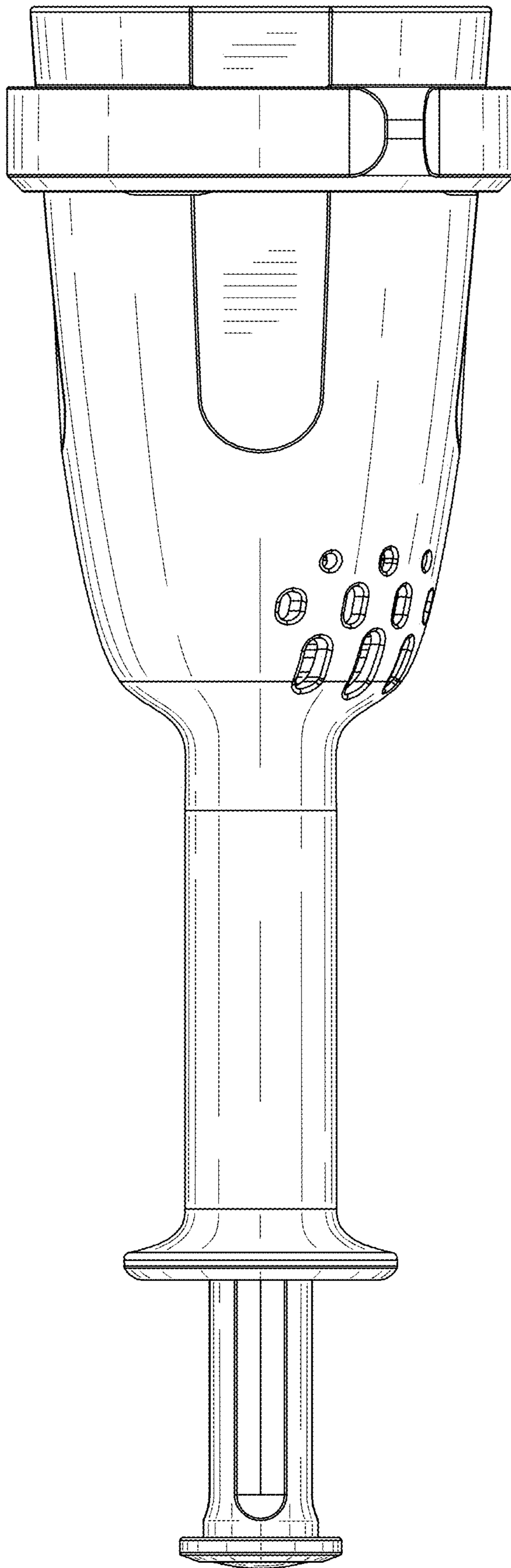


Fig. 7