



US00D950328S

(12) **United States Design Patent** (10) **Patent No.:** **US D950,328 S**
Maghsadi et al. (45) **Date of Patent:** **** May 3, 2022**

(54) **COOKING UTENSIL**

(71) Applicant: **Frontline Advance, LLC**, Southlake, TX (US)

(72) Inventors: **Alexander K. Maghsadi**, Lewisville, TX (US); **Eric H. Jan**, Lehi, UT (US)

(73) Assignee: **SOLO BRANDS, LLC**, Grapevine, TX (US)

(**) Term: **15 Years**

(21) Appl. No.: **29/727,324**

(22) Filed: **Mar. 10, 2020**

(51) **LOC (13) Cl.** **07-06**

(52) **U.S. Cl.**
USPC **D7/683**

(58) **Field of Classification Search**
USPC D7/213, 372, 381, 412, 673, 683, 686,
D7/687, 688, 689, 691, 692, 693, 694,
D7/695, 696

(Continued)

(56) **References Cited**

U.S. PATENT DOCUMENTS

D169,412 S * 4/1953 Bordelon D7/683
D182,782 S * 5/1958 Allen D7/686

(Continued)

OTHER PUBLICATIONS

Amazon website, Solo Stove Heavy Duty Grill Tools, Earliest comment date Apr. 6, 2021, [site visited Aug. 11, 2021], Available on the Internet URL <https://www.amazon.com/Solo-Stove-Stainless-Accessories-Barbecue/dp/B08SYYQHC8> (Year: 2021).*

Primary Examiner — Karen S Acker

Assistant Examiner — Steven B Reinholdt, Jr.

(74) *Attorney, Agent, or Firm* — Haynes and Boone, LLP

(57) **CLAIM**

The ornamental design for a cooking utensil, as shown and described.

DESCRIPTION

This application is related to U.S. application Ser. No. 29/727,321, filed Mar. 10, 2020, the entire disclosure of which is hereby incorporated herein by reference.

This application is also related to U.S. application Ser. No. 29/727,315, filed Mar. 10, 2020, the entire disclosure of which is hereby incorporated herein by reference.

This application is also related to U.S. application Ser. No. 29/727,308, filed Mar. 10, 2020, the entire disclosure of which is hereby incorporated herein by reference.

FIG. 1 is a front perspective view of a cooking utensil showing our new design according to a first embodiment;

FIG. 2 is a top view of the first embodiment;

FIG. 3 is a bottom view of the first embodiment;

FIG. 4 is a right side view of the first embodiment;

FIG. 5 is a left side view of the first embodiment;

FIG. 6 is a front view of the first embodiment shown at a larger scale;

FIG. 7 is a rear view of the first embodiment shown at a larger scale; and

FIG. 8 is a rear perspective view of the first embodiment.

FIG. 9 is a bottom view of the cooking utensil showing our new design according to a second embodiment.

FIG. 10 is a front perspective view of a cooking utensil showing our new design according to a third embodiment;

FIG. 11 is a top view of the third embodiment;

FIG. 12 is a bottom view of the third embodiment;

FIG. 13 is a right side view of the third embodiment;

FIG. 14 is a left side view of the third embodiment;

FIG. 15 is a front view of the third embodiment shown at a larger scale;

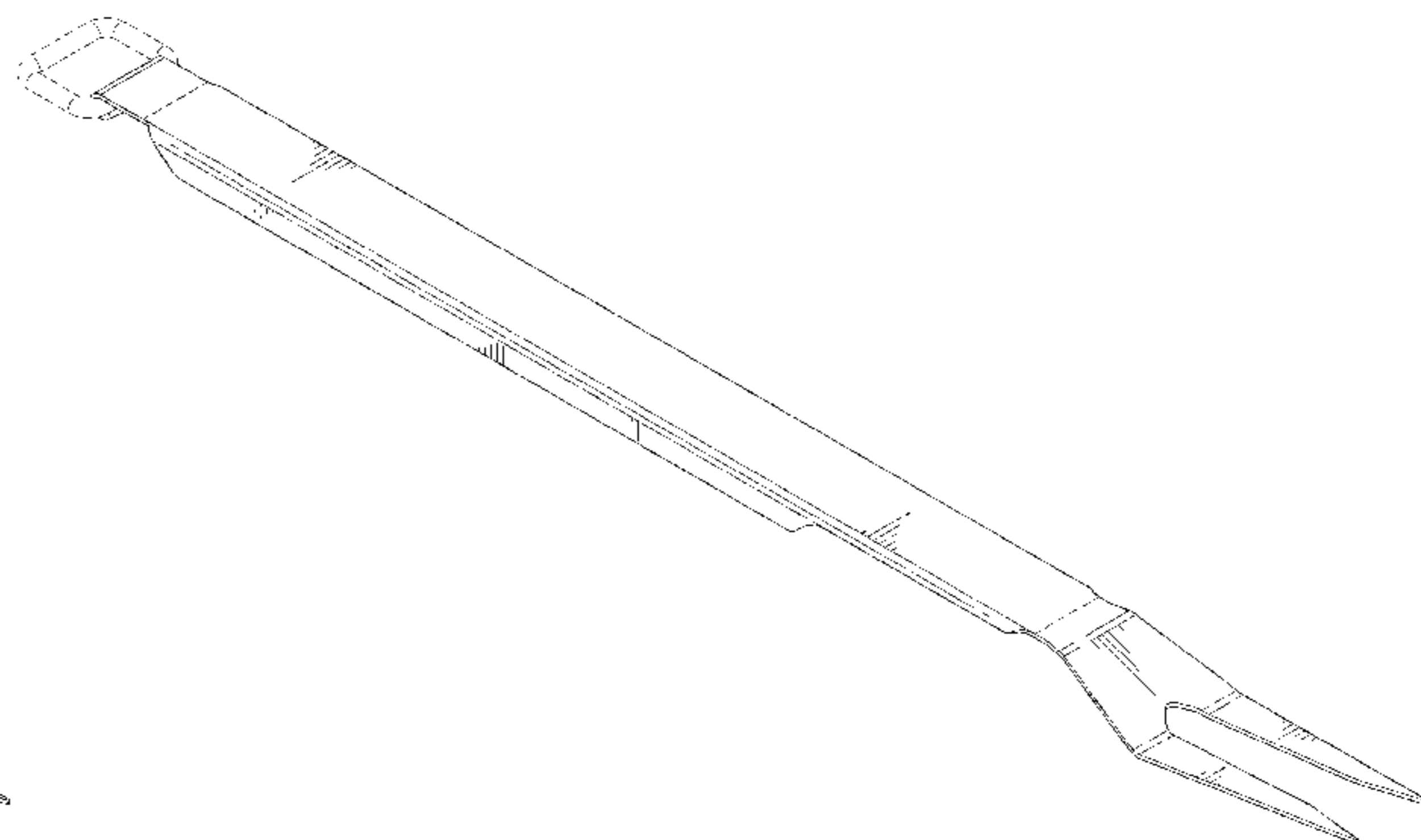
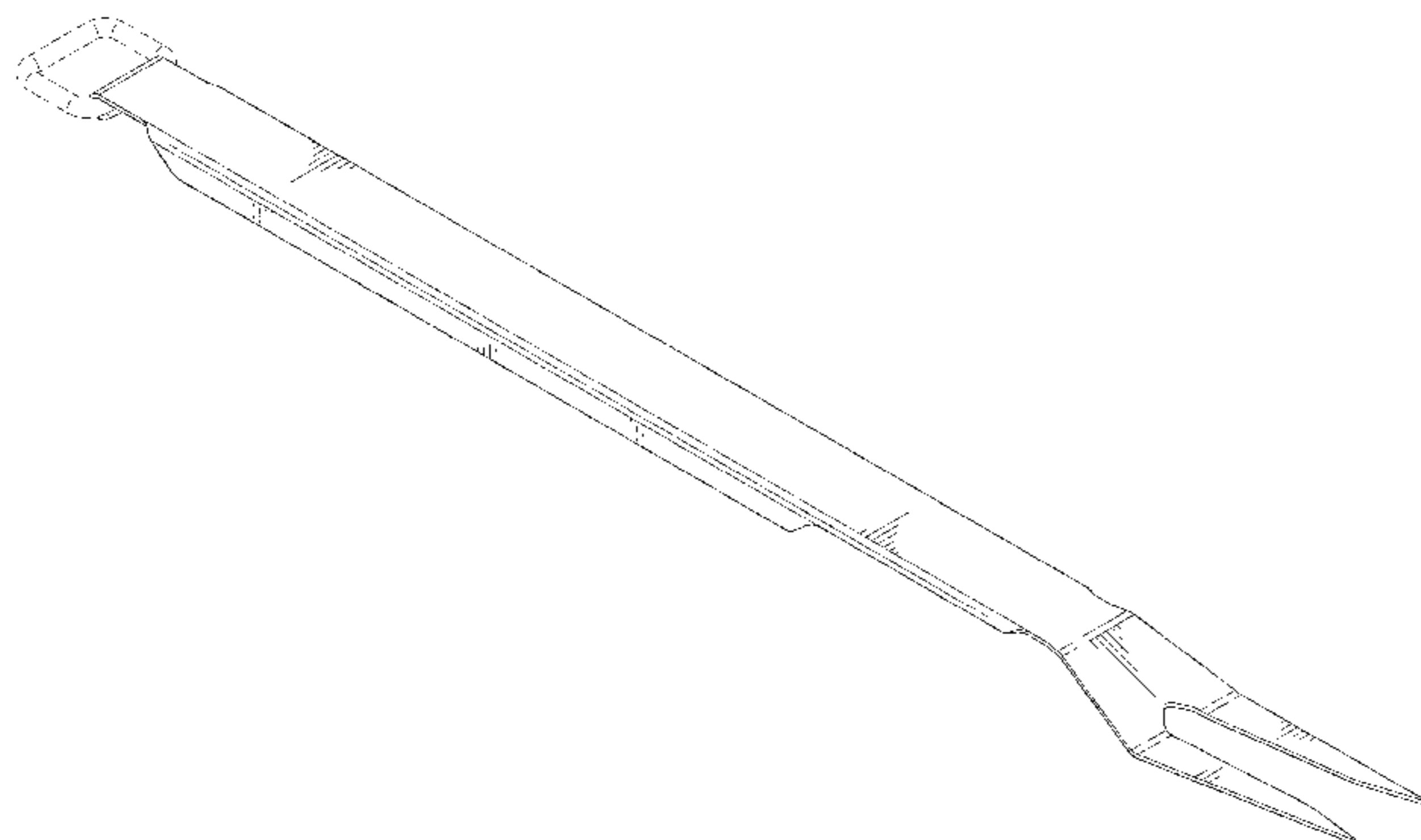
FIG. 16 is a rear view of the third embodiment shown at a larger scale; and

FIG. 17 is a rear perspective view of the third embodiment; and,

FIG. 18 is a bottom view of the cooking utensil showing our new design according to a fourth embodiment.

The broken lines shown in FIGS. 1-18 depict portions of the cooking utensil that form no part of the claimed design.

(Continued)



In FIG. 9, the second embodiment of the cooking utensil is shown with two (2) sets of break lines; neither the break lines nor the appearance of any portion of the second embodiment of the cooking utensil between each set of the break lines forms part of the claimed design.

In FIG. 18, the fourth embodiment of the cooking utensil is shown with two (2) sets of break lines; neither the break lines nor the appearance of any portion of the fourth embodiment of the cooking utensil between each set of the break lines forms part of the claimed design.

1 Claim, 12 Drawing Sheets

(58) **Field of Classification Search**

CPC A47J 43/282; A47J 43/288
See application file for complete search history.

(56)

References Cited

U.S. PATENT DOCUMENTS

D203,455	S	*	1/1966	Burns	D7/686
D304,797	S	*	11/1989	Perkins	D7/695
D311,307	S	*	10/1990	Cautereels	D7/683
D351,092	S	*	10/1994	Weber	D7/683
D392,848	S	*	3/1998	Zeller	D7/683
D395,098	S	*	6/1998	Moore	D27/194
D405,705	S	*	2/1999	Norcross	D10/57
D432,875	S	*	10/2000	Begley	D7/683
D447,385	S	*	9/2001	Saunders	D7/395
D513,689	S	*	1/2006	Bodum	D7/653
D524,610	S	*	7/2006	Kushner	D10/57
D658,432	S	*	5/2012	Zemel	D7/393
D685,089	S	*	6/2013	Yaremchuk	D24/143
D758,141	S	*	6/2016	Spagnolo	D7/653
D801,757	S	*	11/2017	Knittig	D7/683
D908,447	S	*	1/2021	Kim	D7/653

* cited by examiner

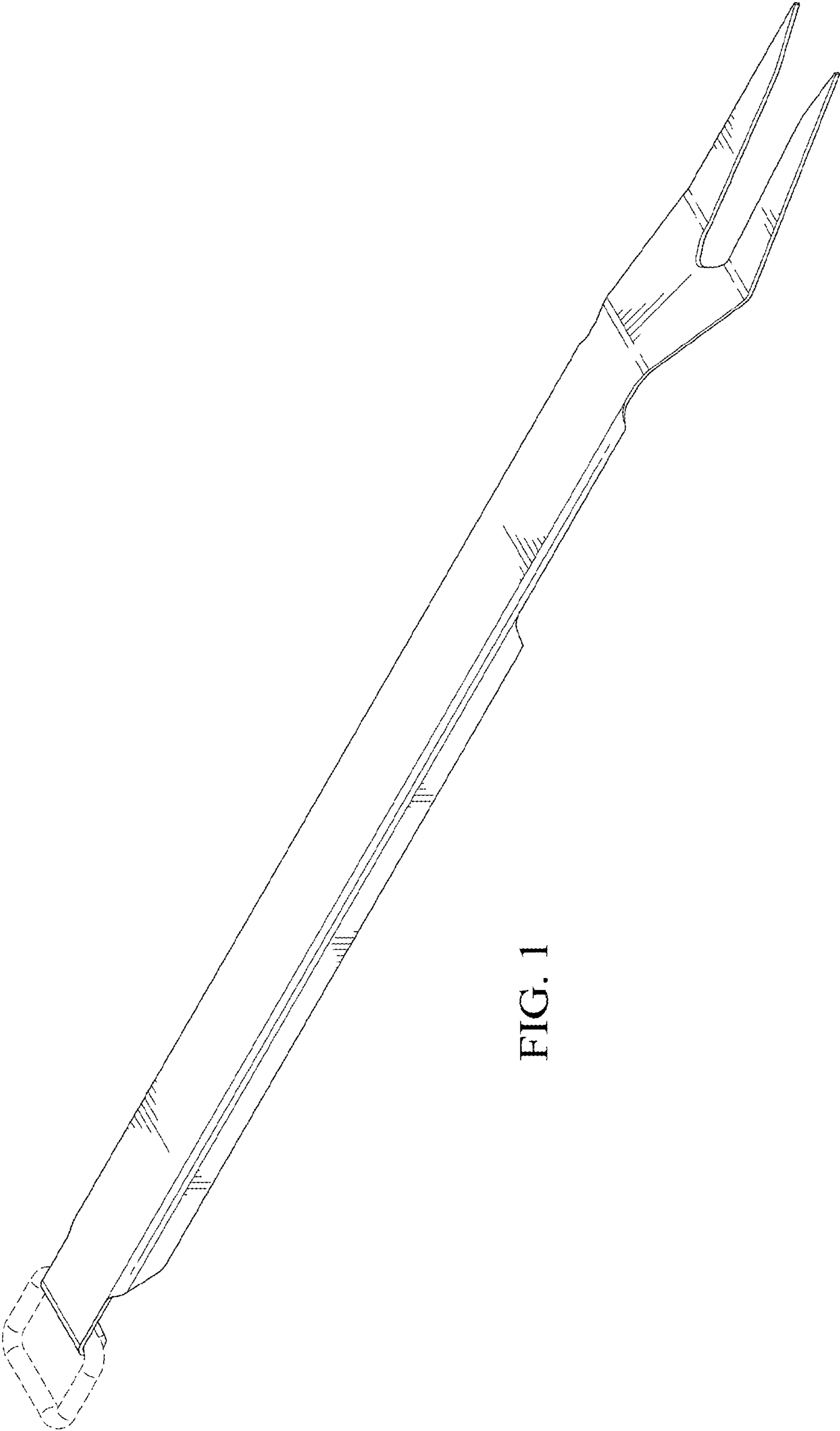


FIG. 1

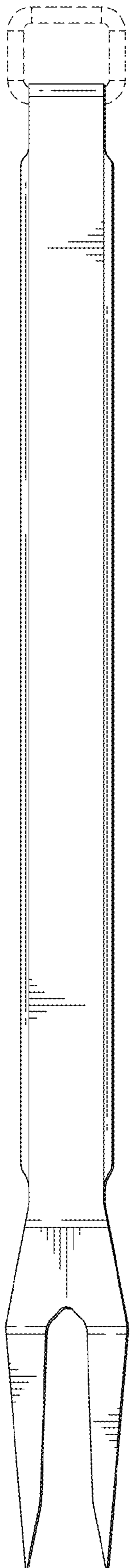


FIG. 2

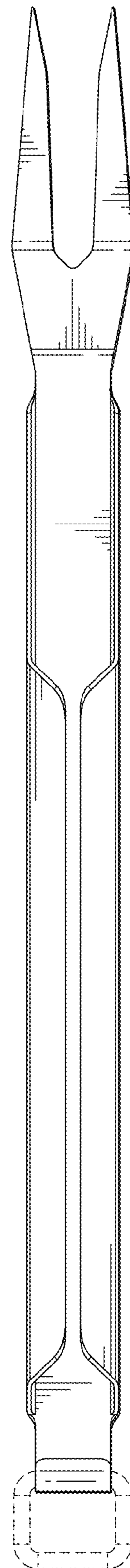


FIG. 3

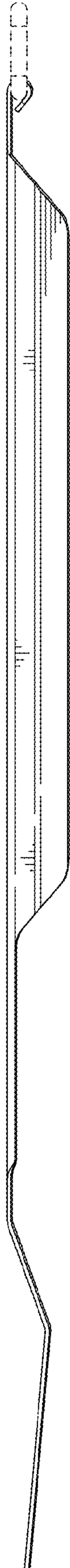


FIG. 4



FIG. 5

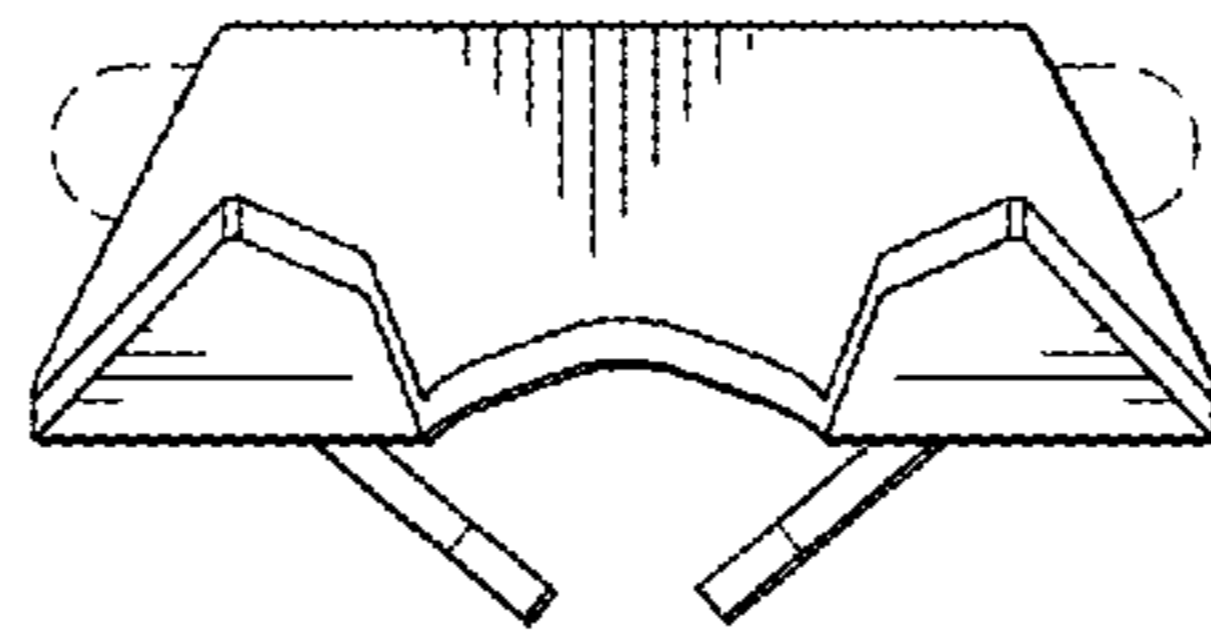


FIG. 6

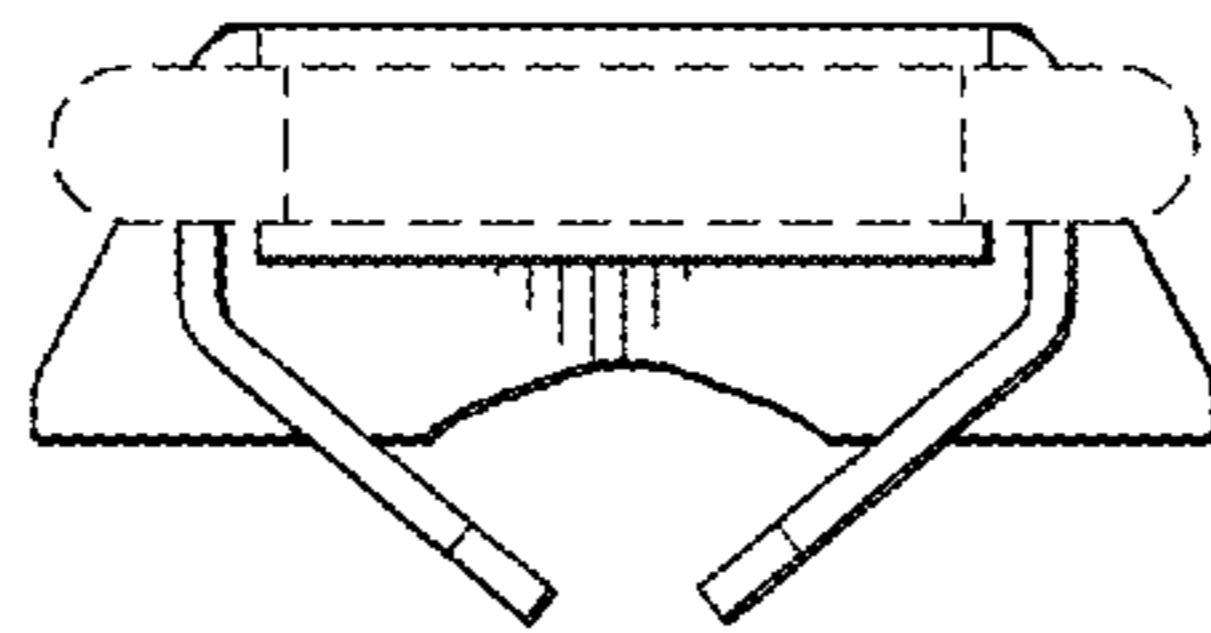


FIG. 7

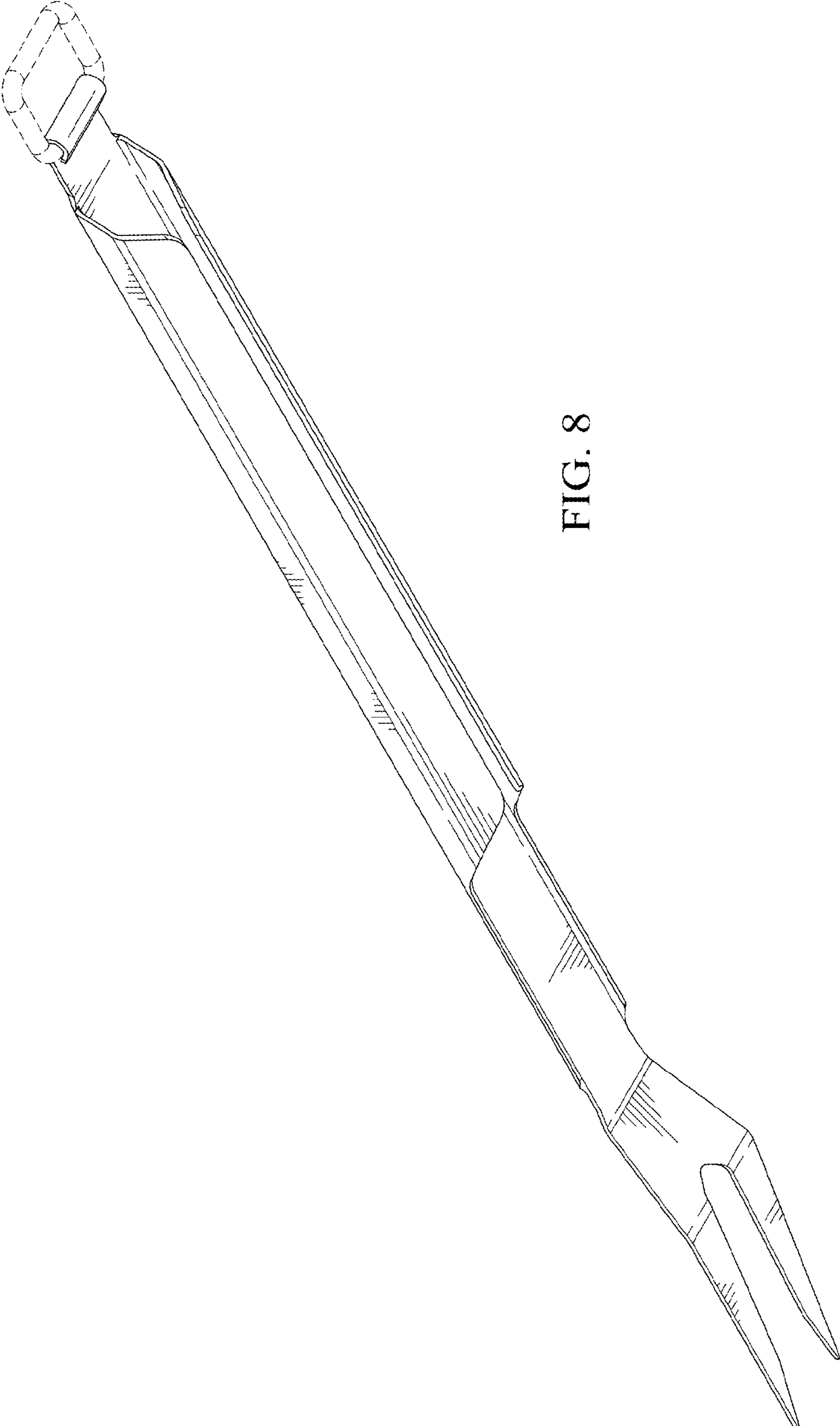


FIG. 8

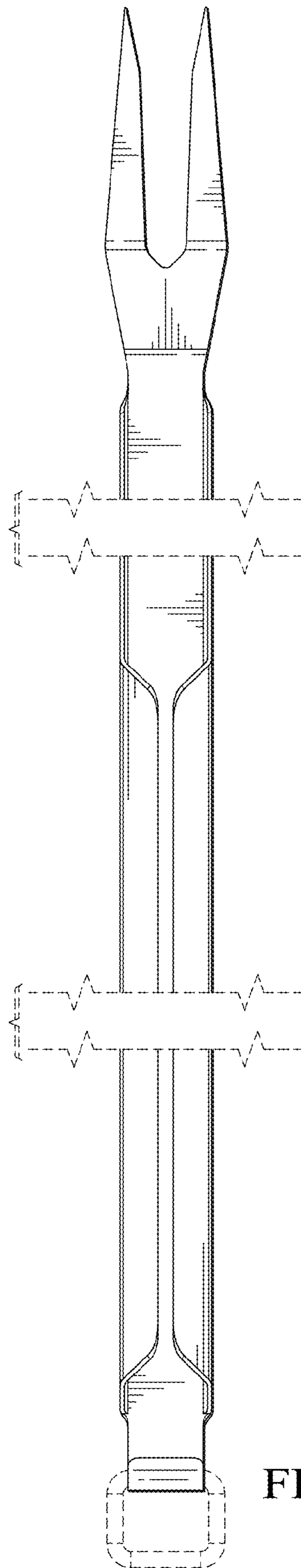


FIG. 9

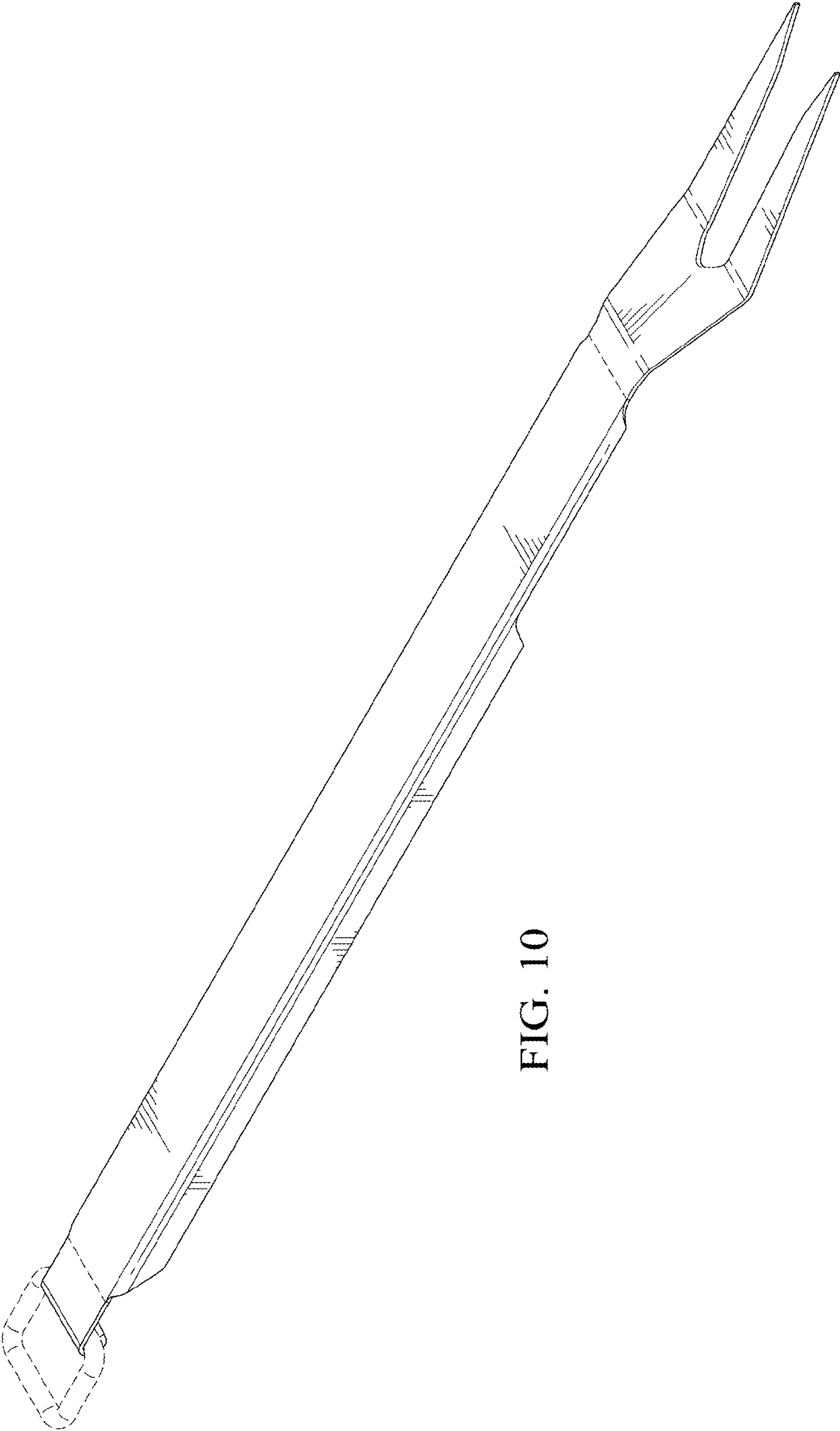


FIG. 10

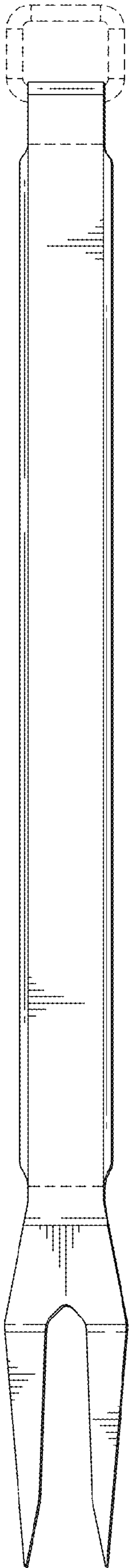


FIG. 11

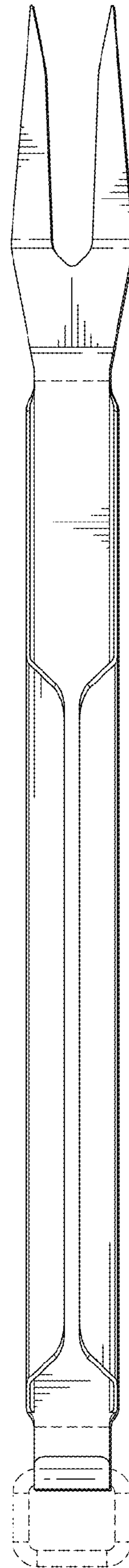


FIG. 12



FIG. 13



FIG. 14

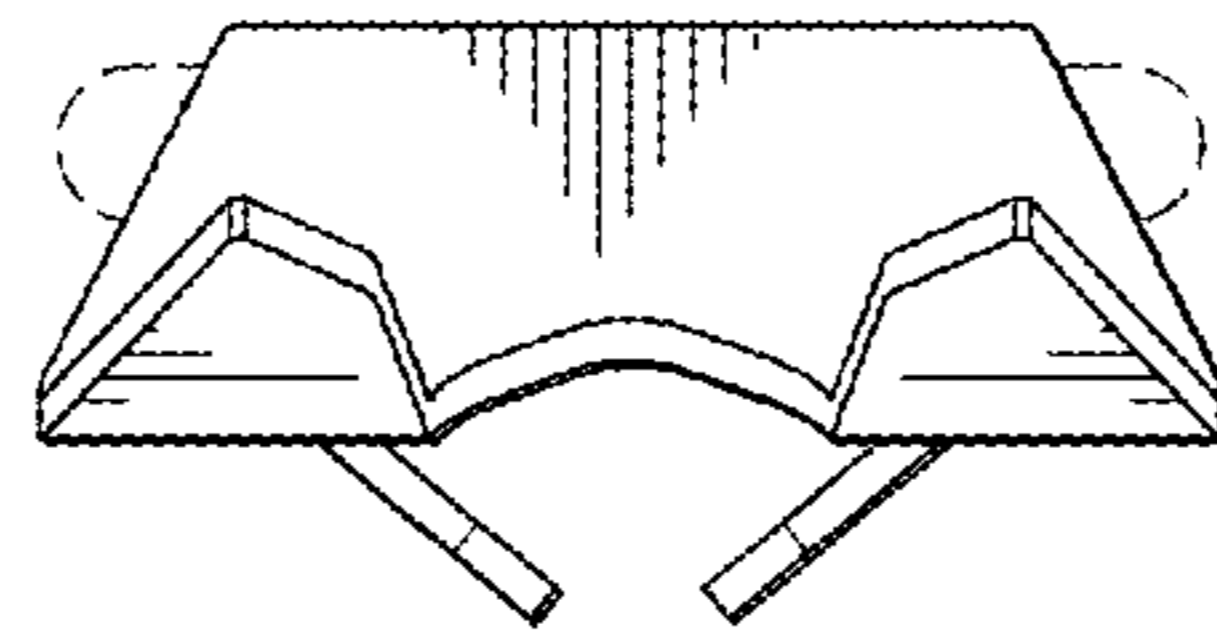


FIG. 15

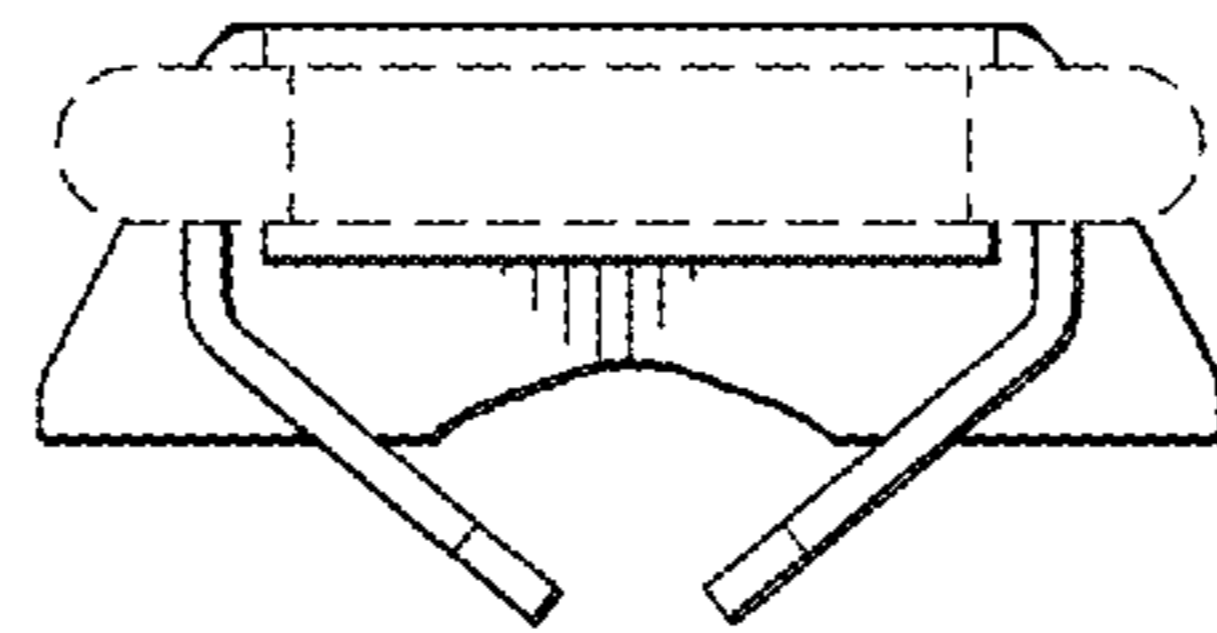


FIG. 16

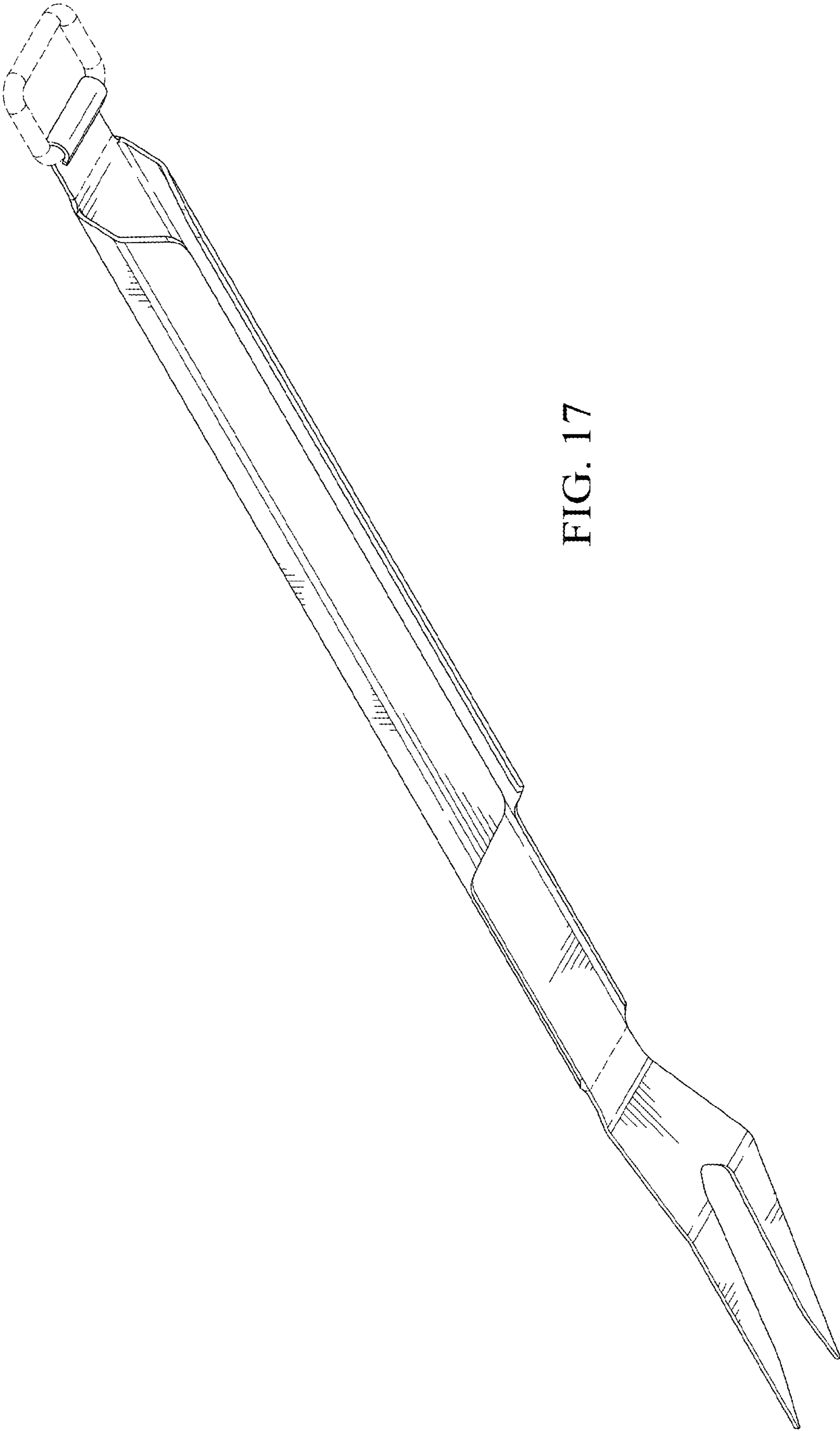


FIG. 17

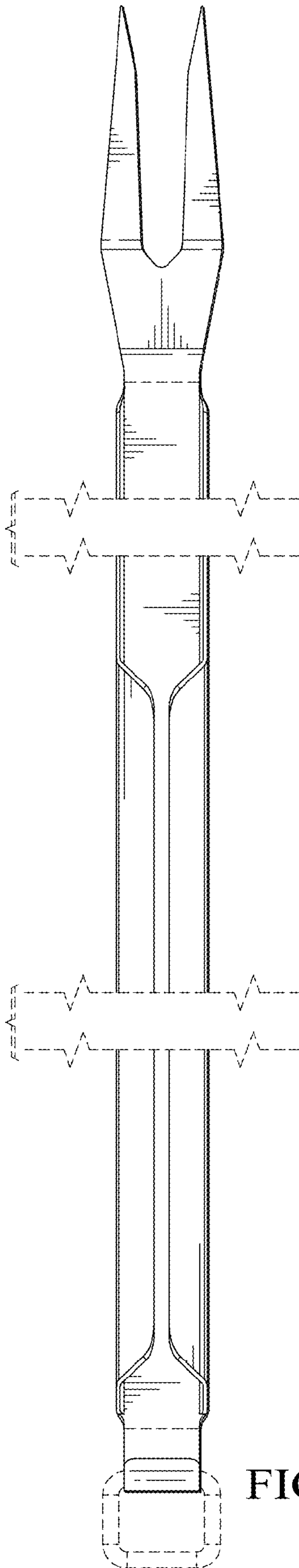


FIG. 18