

US00D950325S

(12) **United States Design Patent** (10) **Patent No.:** **US D950,325 S**
Liang (45) **Date of Patent:** **** May 3, 2022**

(54) **KNIFE SHEATH**

(71) Applicant: **Yangjiang Guanrui Industry and Trade Co., Ltd.**, Yangjiang (CN)

(72) Inventor: **Feifeng Liang**, Yangjiang (CN)

(**) Term: **15 Years**

(21) Appl. No.: **29/794,515**

(22) Filed: **Jun. 14, 2021**

(51) **LOC (13) Cl.** **07-07**

(52) **U.S. Cl.**
USPC **D7/638**

(58) **Field of Classification Search**
USPC D7/637-638; D3/220; D22/118; D8/93
CPC .. A22B 3/00; A22B 3/10; B26B 29/00; B26B 29/02; B26B 29/025; F41B 13/00; F41B 13/04; B24D 15/08
See application file for complete search history.

(56) **References Cited**

U.S. PATENT DOCUMENTS

D279,951 S *	8/1985	Winyard	D7/638
D303,001 S *	8/1989	Su	D22/118
D317,037 S *	5/1991	Koshiishi	D22/118
D429,122 S *	8/2000	Stokes	D7/638
D723,796 S	3/2015	Resca		
D724,312 S	3/2015	Wikstrom		
D738,617 S	9/2015	Kidd		
D776,916 S	1/2017	Yeruva		
D789,077 S *	6/2017	Seo	D8/93
D799,816 S	10/2017	Cosignani		
D802,296 S	11/2017	Cosignani		
D819,961 S *	6/2018	Cosignani	D3/220
D826,552 S	8/2018	Wright		
D831,953 S	10/2018	Dobbs		
D838,555 S *	1/2019	Gauss	D7/638
D849,876 S *	5/2019	Heine	D22/118
D884,823 S *	5/2020	Heine	D22/118
D914,356 S	3/2021	de Jonge		
D942,816 S *	2/2022	Plant	D7/638
2019/0054642 A1 *	2/2019	Wu	B26B 3/06

OTHER PUBLICATIONS

https://www.amazon.com/XYJ-Stainless-Fishing-Leather-Cleaver/dp/B08P4SWJ91/ref=sr_1_1?crd=YCHLVSSH2KY7&keywords=XYJ%2Bfull%2Btang%2B6%2Binch%2Bstainless%2Bsteel%2Bboning%2Bknife&qid=1647393886&sprefix=xyj%2Bfull%2Btang%2B6%2Binch%2Bstainless%2Bsteel%2Bboning%2Bknife%2Caps%2C48&sr=8-1&th=1 (Year: 2020).*

https://www.amazon.com/Serbian-Cleaver-Japanese-Kitchen-Chopping/dp/B09B75YF1B/ref=sr_1_3?crd=3EWXBF4PMA8UN&keywords=upgraded+serbian+chef+knife&qid=1647394019&sprefix=upgraded+serbian+chef+knife%2Caps%2C59&sr=8-3 (Year: 2021).*

https://www.amazon.com/iSMLIKE-Butcher-Handmade-Kitchen-Thickened/dp/B09CCRJGRX/ref=asc_df_B09CCRJGRX/?tag=hyprod-20&linkCode=dfO&hvadid=532483688136&hvpos=&hvnetw=g&hvrand=7888851468954226643&hvpon=&hvptwo=&hvqmt=&hvdev=c&hvdvcmdl=&hvlocint=&hvlocphy=1014895&hvtargid=pla-1432155107023&psc=1 (Year: 2021).*

* cited by examiner

Primary Examiner — Catherine R Oliver-Garcia
(74) *Attorney, Agent, or Firm* — Rumit Ranjit Kanakia

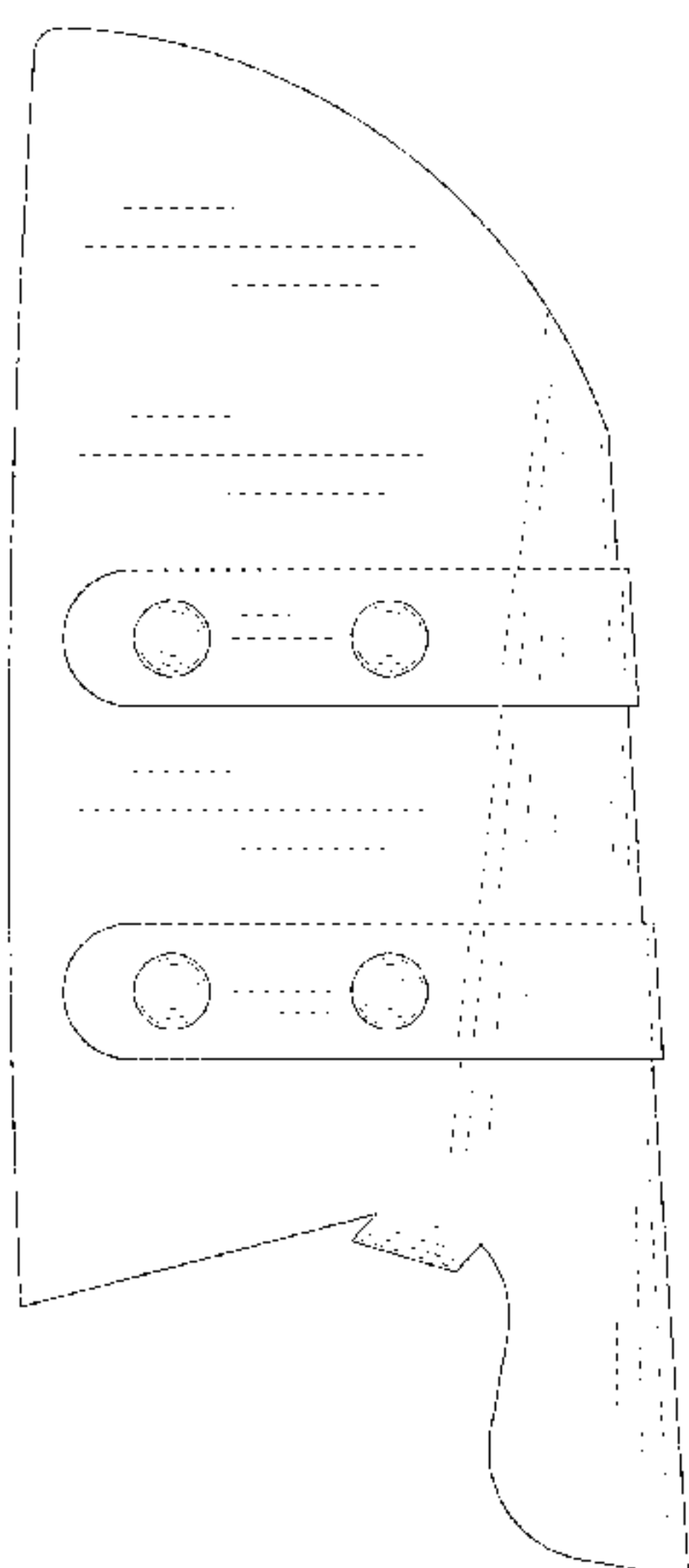
(57) **CLAIM**

The ornamental design for a knife sheath, as shown and described.

DESCRIPTION

FIG. 1 is a front elevational view of a knife sheath showing my new design;
FIG. 2 is a rear elevational view thereof; and
FIG. 3 is a left side view thereof;
FIG. 4 is a right side view thereof;
FIG. 5 is a top plan view thereof;
FIG. 6 is a bottom plan view thereof;
FIG. 7 is a perspective view of a knife sheath showing my new design; and,
FIG. 8 is another perspective view thereof.
The broken lines in the figures are for the purposes of illustrating portions of the knife sheath, which form no part of the claimed design.

1 Claim, 8 Drawing Sheets



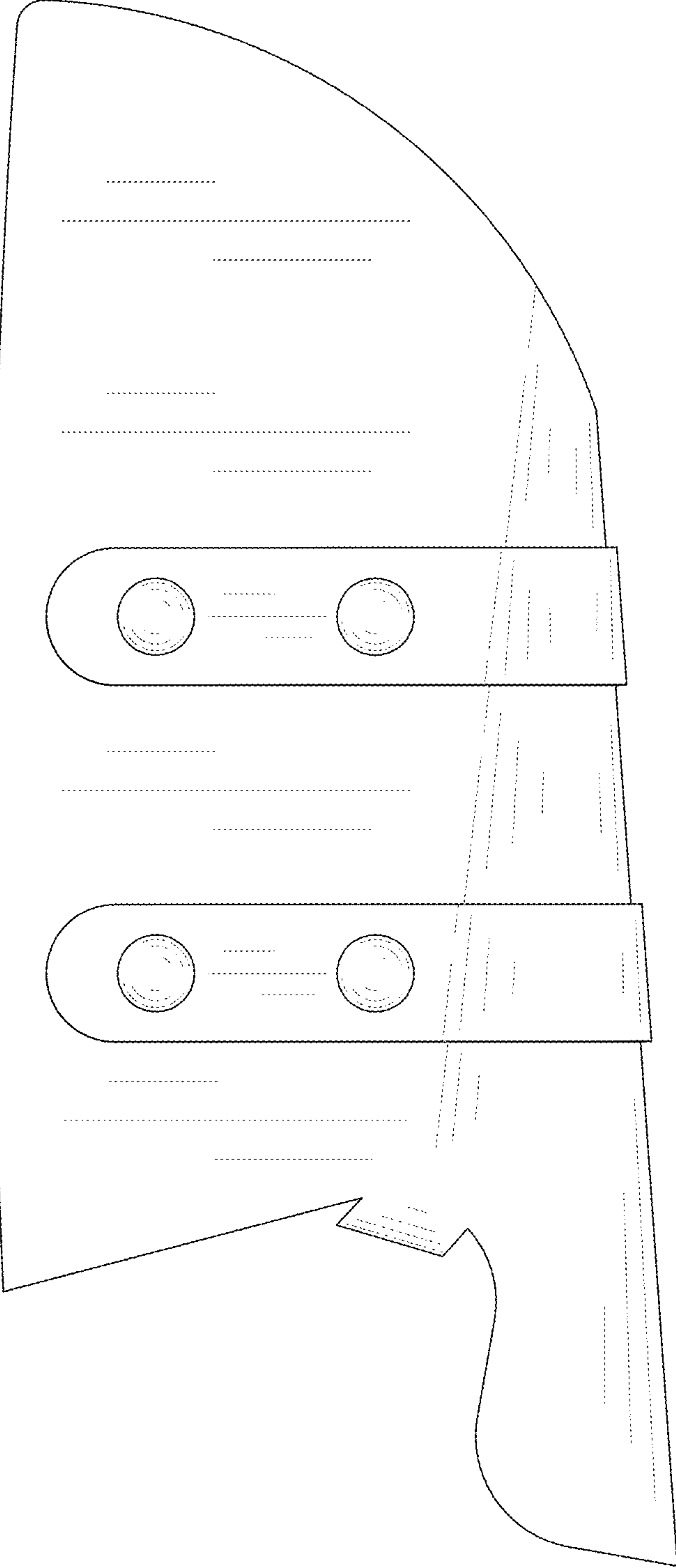


FIG. 1

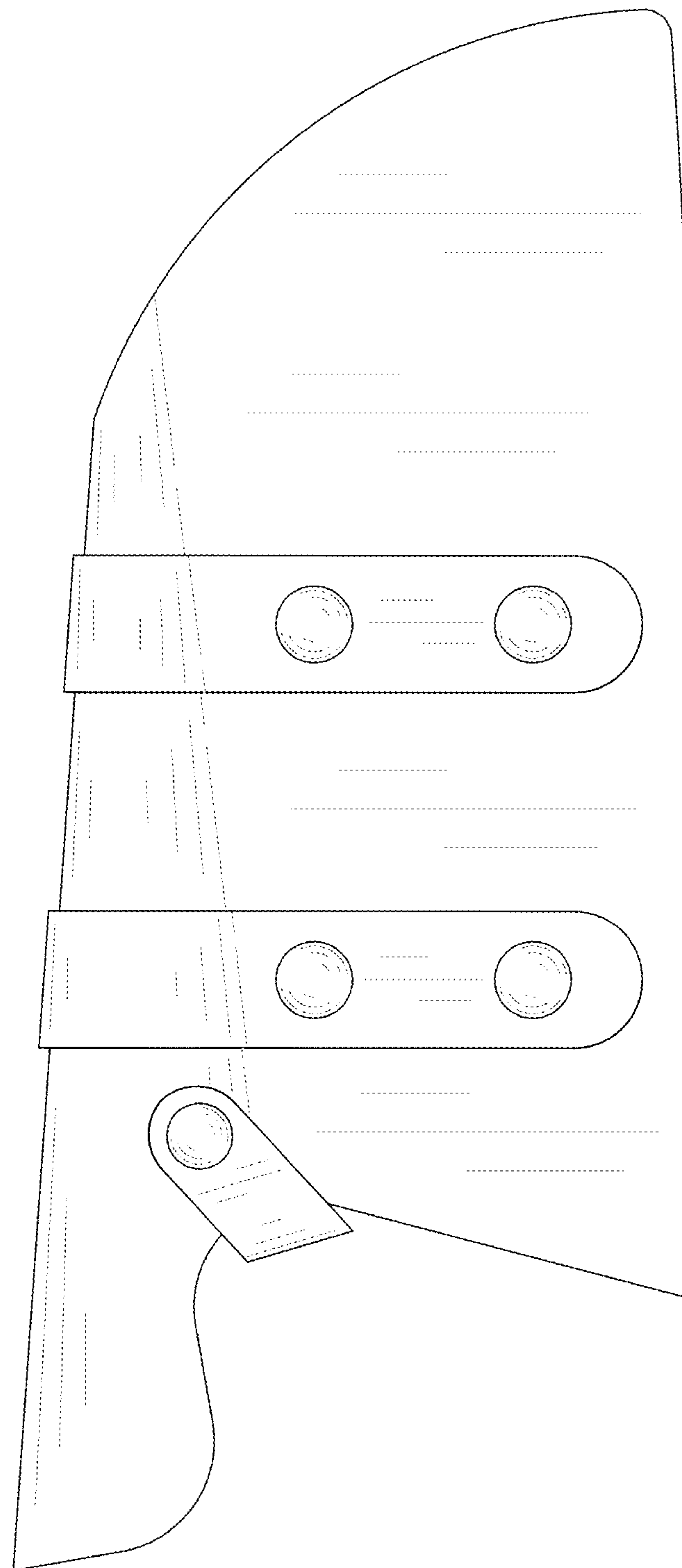


FIG. 2

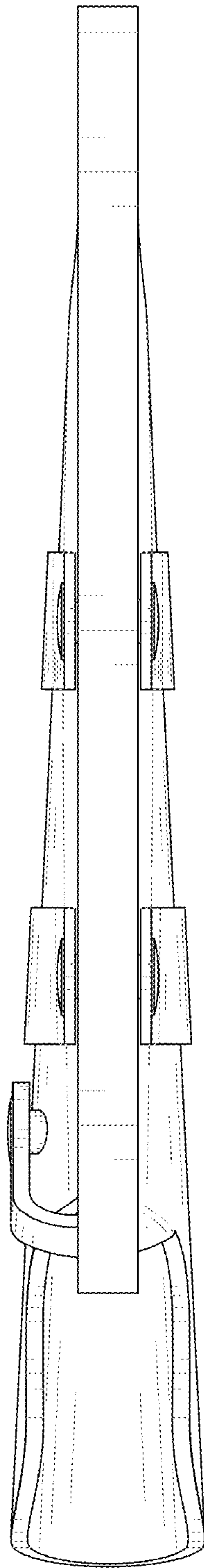


FIG. 3

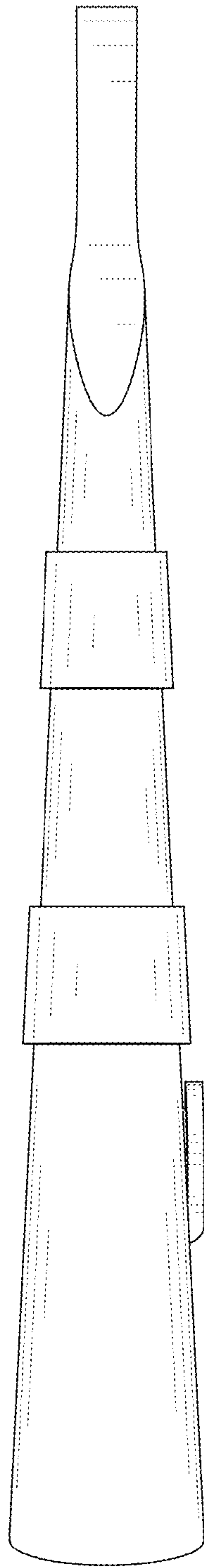


FIG. 4

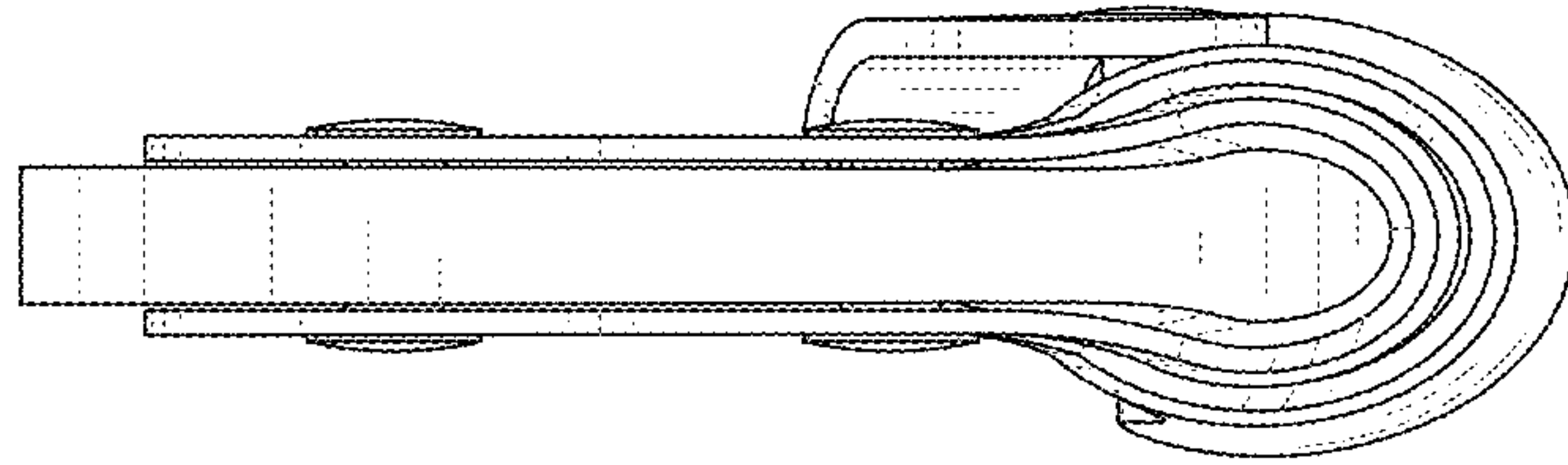


FIG. 5

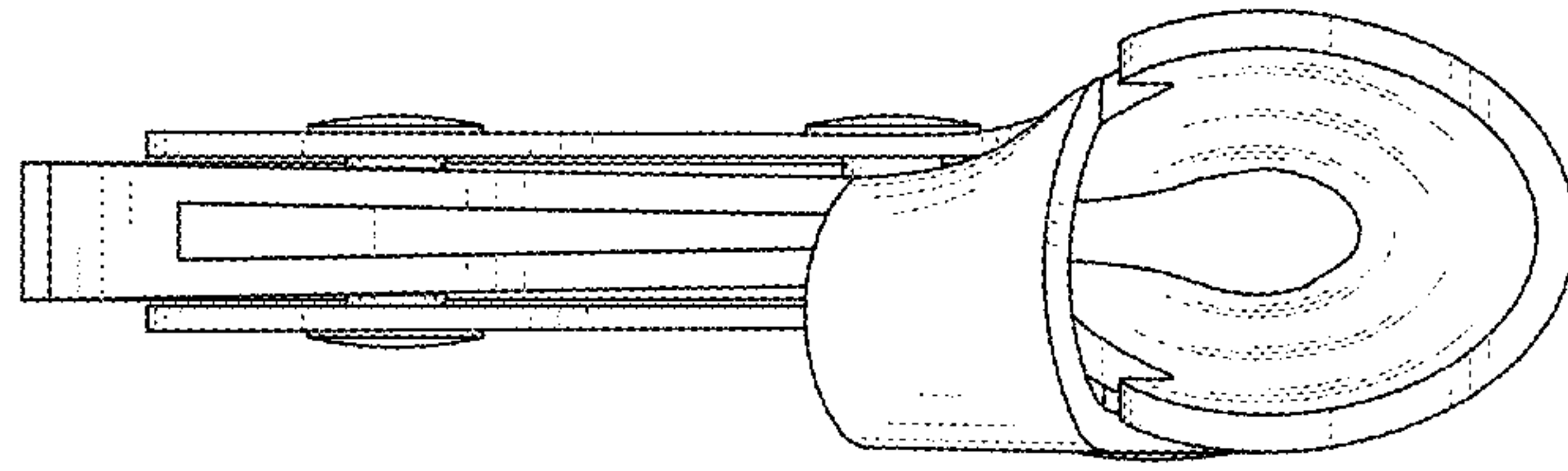


FIG. 6

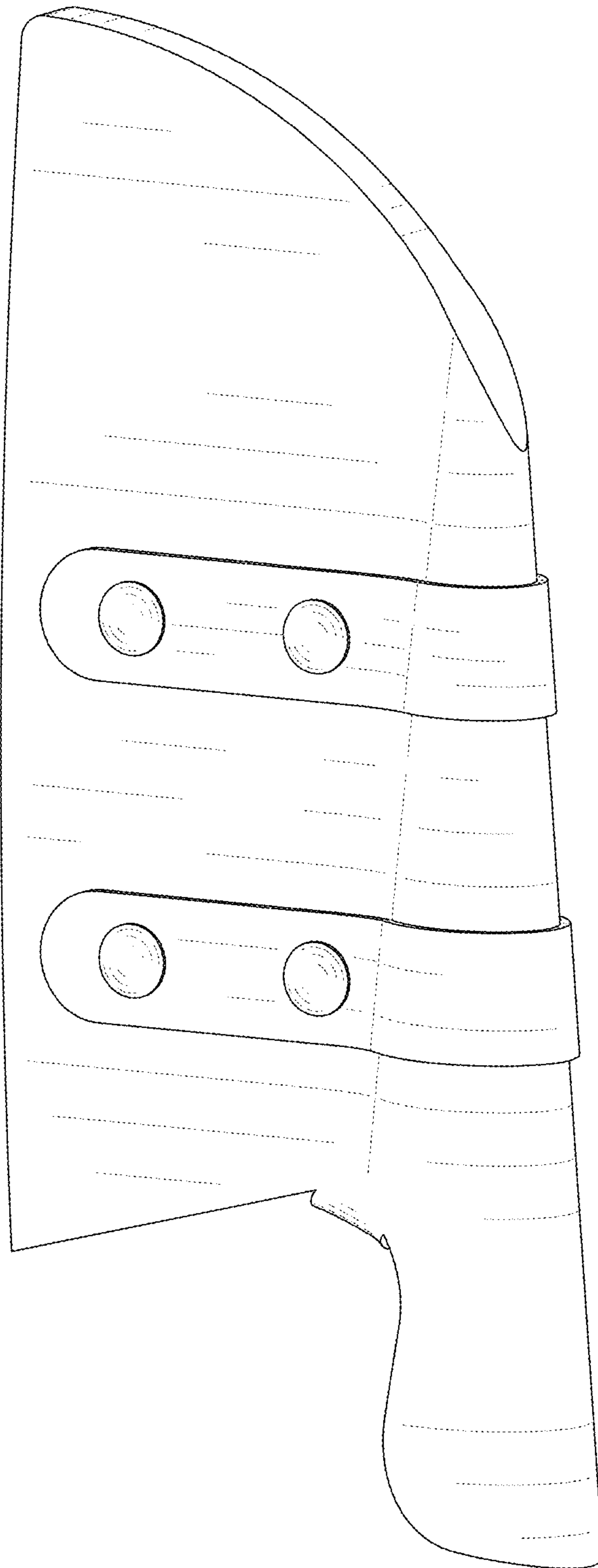


FIG. 7

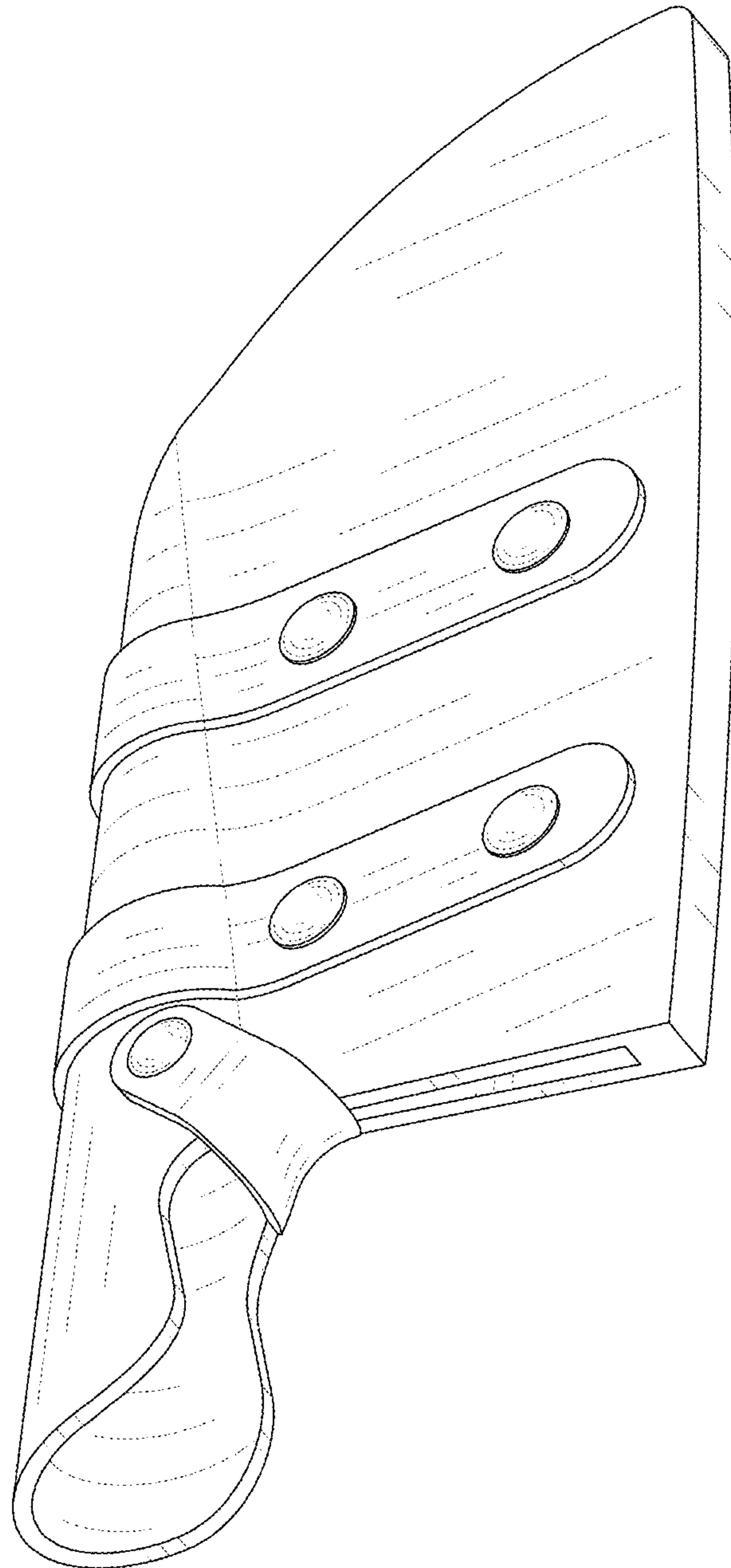


FIG. 8