



US00D950322S

(12) **United States Design Patent**
Zhang

(10) **Patent No.:** **US D950,322 S**

(45) **Date of Patent:** **** May 3, 2022**

(54) **PORTABLE DRINKING STRAW CASE**

(71) Applicant: **Yiwu Qiantuo Trading Co., Ltd.**,
Yiwu (CN)

(72) Inventor: **Lei Zhang**, Shandong Province (CN)

(**) Term: **15 Years**

(21) Appl. No.: **29/785,698**

(22) Filed: **May 27, 2021**

(51) **LOC (13) Cl.** **07-07**

(52) **U.S. Cl.**
USPC **D7/635**

(58) **Field of Classification Search**
USPC D3/304, 306-316; D6/566, 567, 573,
D6/574; D7/631, 635, 637-641; D19/75,
D19/81, 83-86, 90, 92; D9/414, 428,
D9/549
CPC A47B 88/00; A47G 21/14; A47G 21/16;
A47G 21/184; A47G 23/06; A47G
29/087; A47J 45/02; A47J 47/16; B65D
1/34; B65D 1/36
See application file for complete search history.

(56) **References Cited**

U.S. PATENT DOCUMENTS

D335,721 S * 5/1993 Kimball D7/635
D410,365 S * 6/1999 Miller D7/635
D461,103 S * 8/2002 Hsu D7/635
D603,704 S * 11/2009 Jost D9/449
D756,216 S * 5/2016 El-Debs D9/420
D853,835 S * 7/2019 Ang D9/420
D856,800 S * 8/2019 Mayer D9/428

D880,257 S * 4/2020 Peng D7/635
D897,664 S * 10/2020 Li D3/273
D899,772 S 10/2020 Kauffman et al.
D902,588 S * 11/2020 Zhang D3/294
D920,775 S * 6/2021 Hawry D9/414
D941,174 S * 1/2022 Siminoff D10/106.2

OTHER PUBLICATIONS

DiscountMugs Eco-Friendly Silicone Straws in Case, [online], site visited Feb. 28, 2022. Available from Internet, URL: <http://www.discountmugs.com> (Year: 2022).*

* cited by examiner

Primary Examiner — Janice Patyk

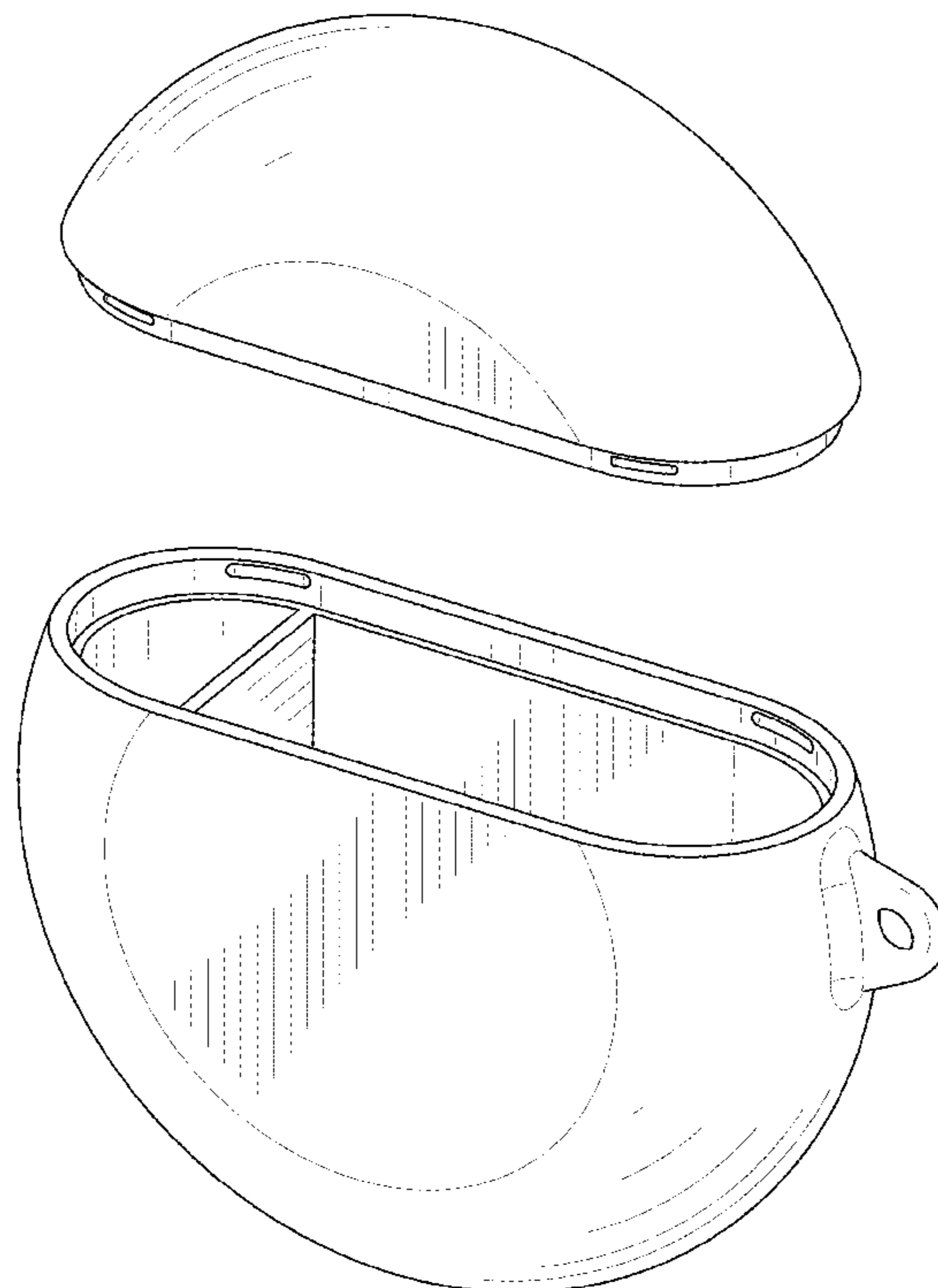
(57) **CLAIM**

The ornamental design for a portable drinking straw case, as shown and described.

DESCRIPTION

FIG. 1 is a front, top perspective view of a portable drinking straw case, showing my new design;
FIG. 2 is a front elevation view thereof;
FIG. 3 is a rear elevation view thereof;
FIG. 4 is a left side elevation view thereof;
FIG. 5 is a right side elevation view thereof;
FIG. 6 is a top plan view thereof;
FIG. 7 is a bottom plan view thereof;
FIG. 8 is a cross-sectional view thereof, taken along line 8-8 in FIG. 5; and,
FIG. 9 is an exploded front, top perspective view thereof.

1 Claim, 9 Drawing Sheets



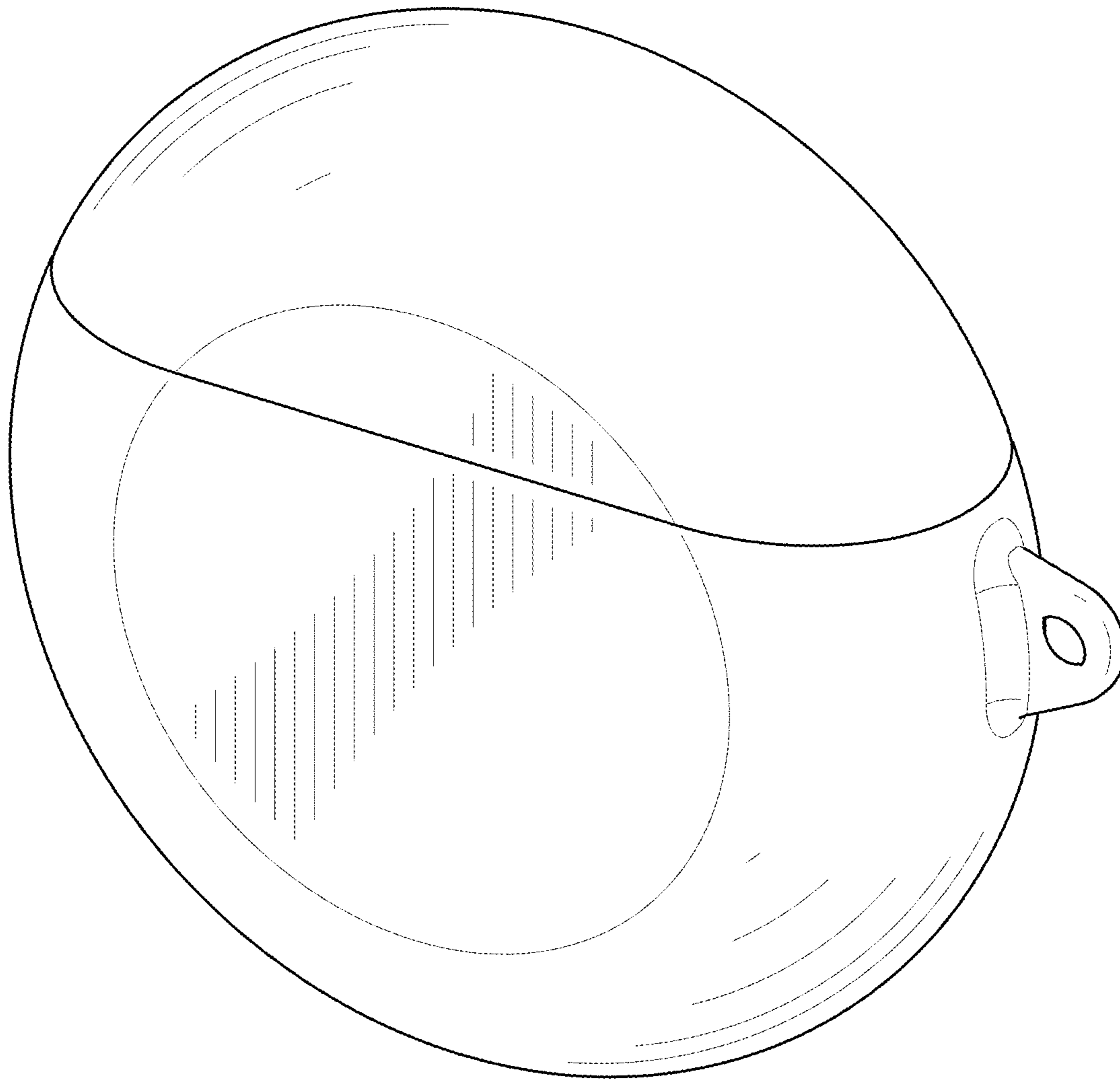


FIG. 1

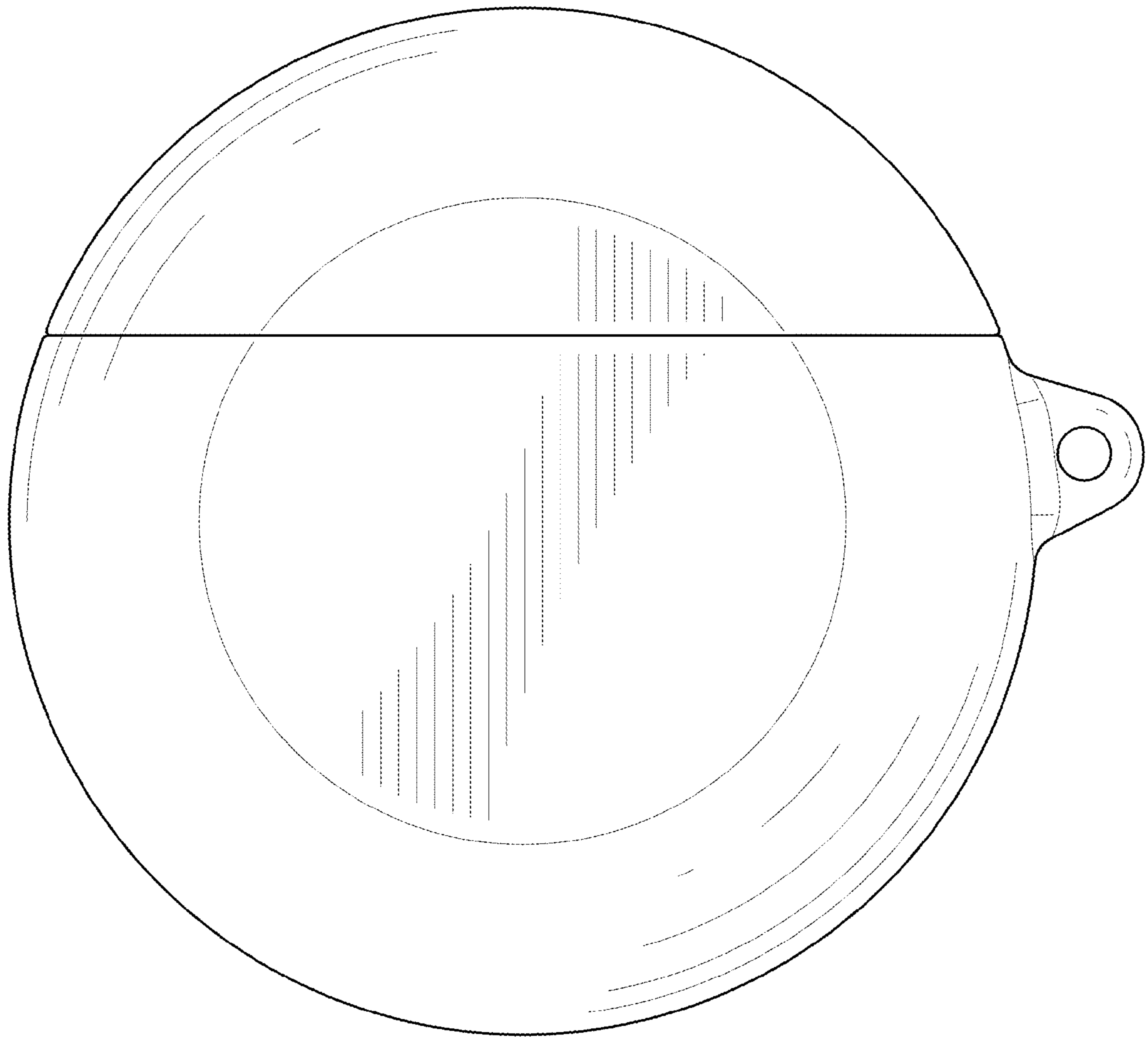


FIG. 2

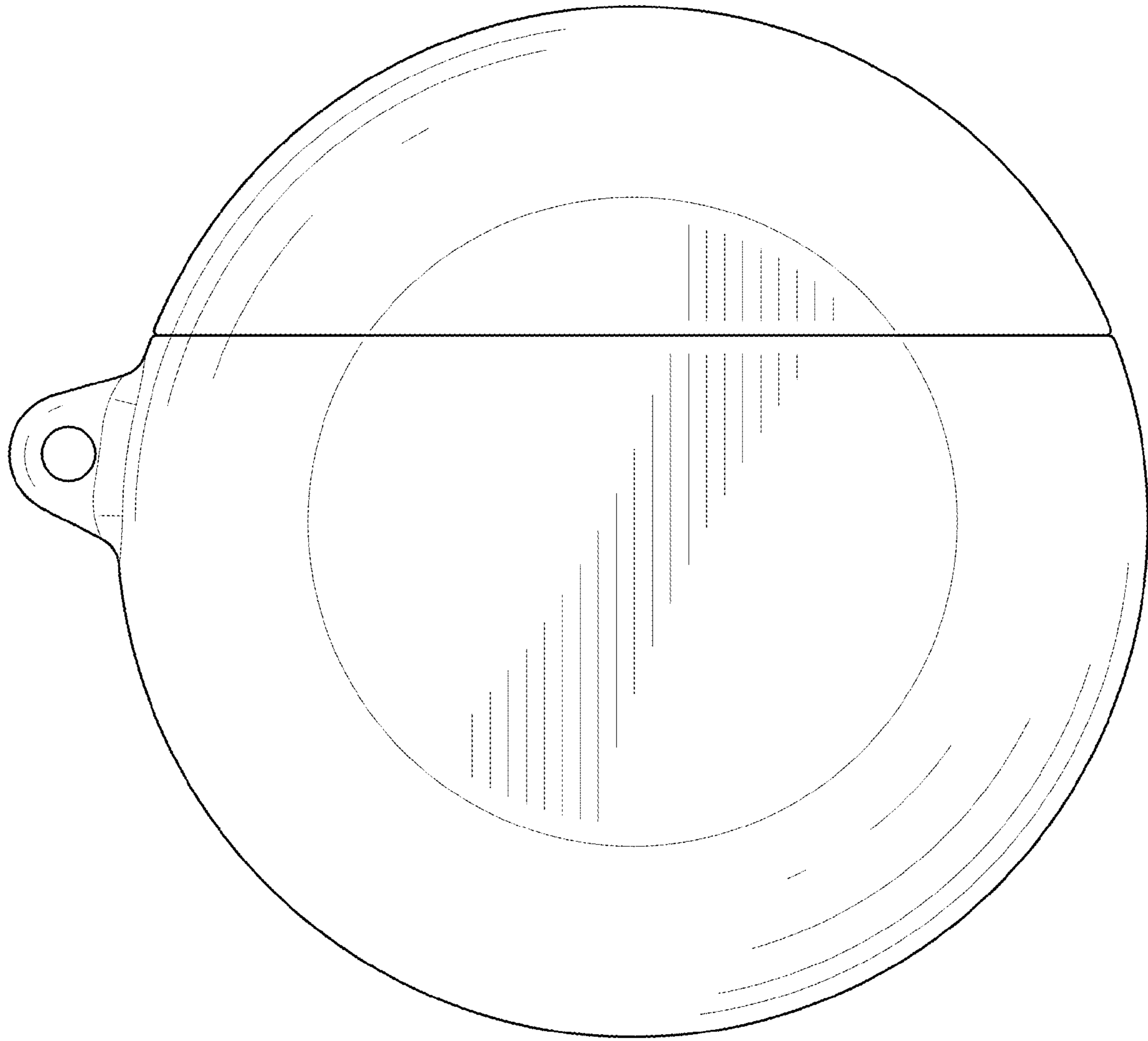


FIG. 3

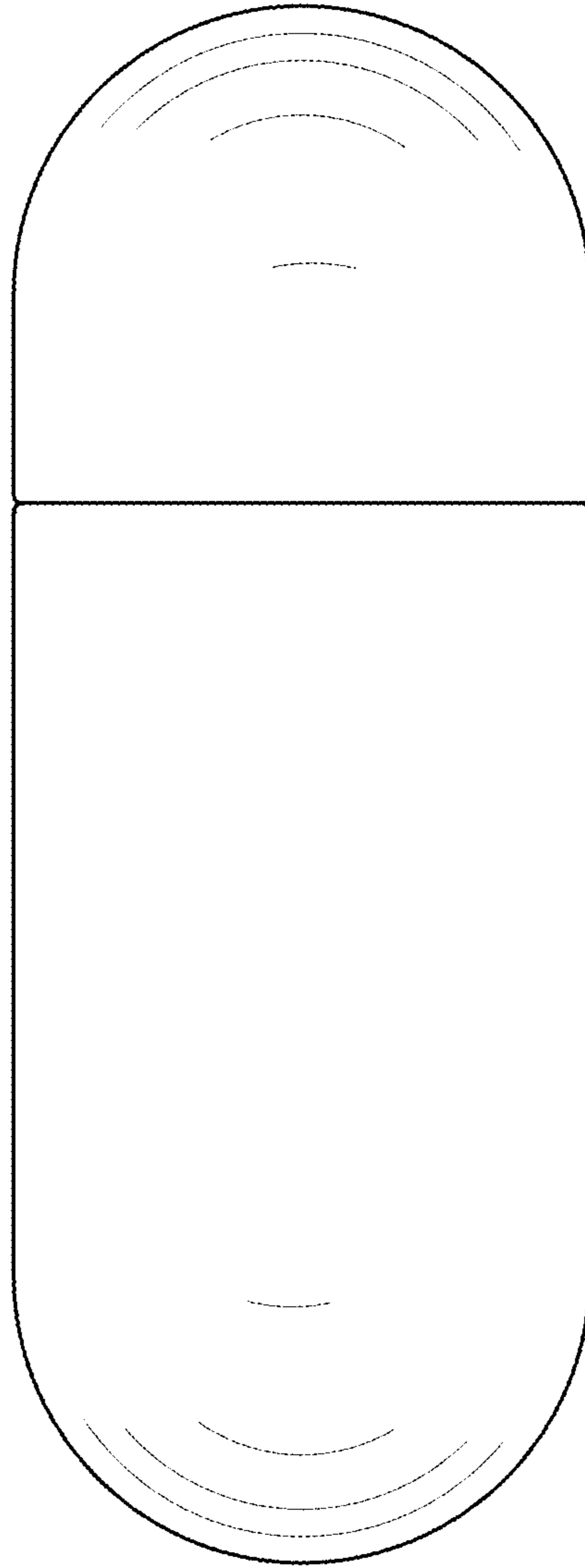


FIG. 4

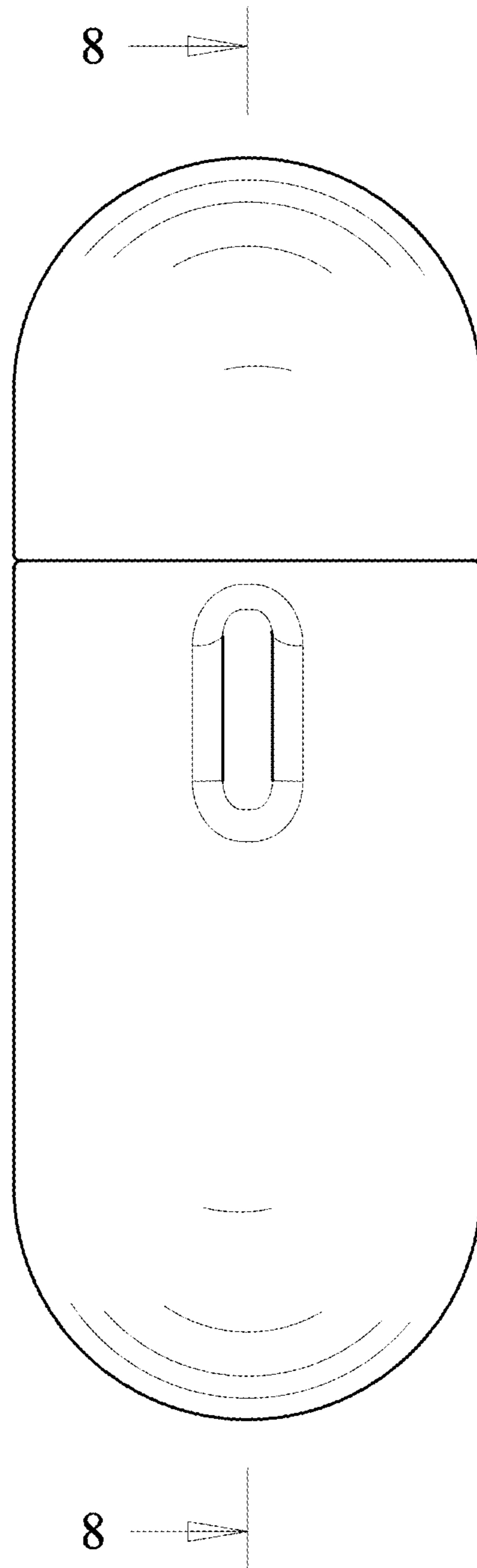


FIG. 5

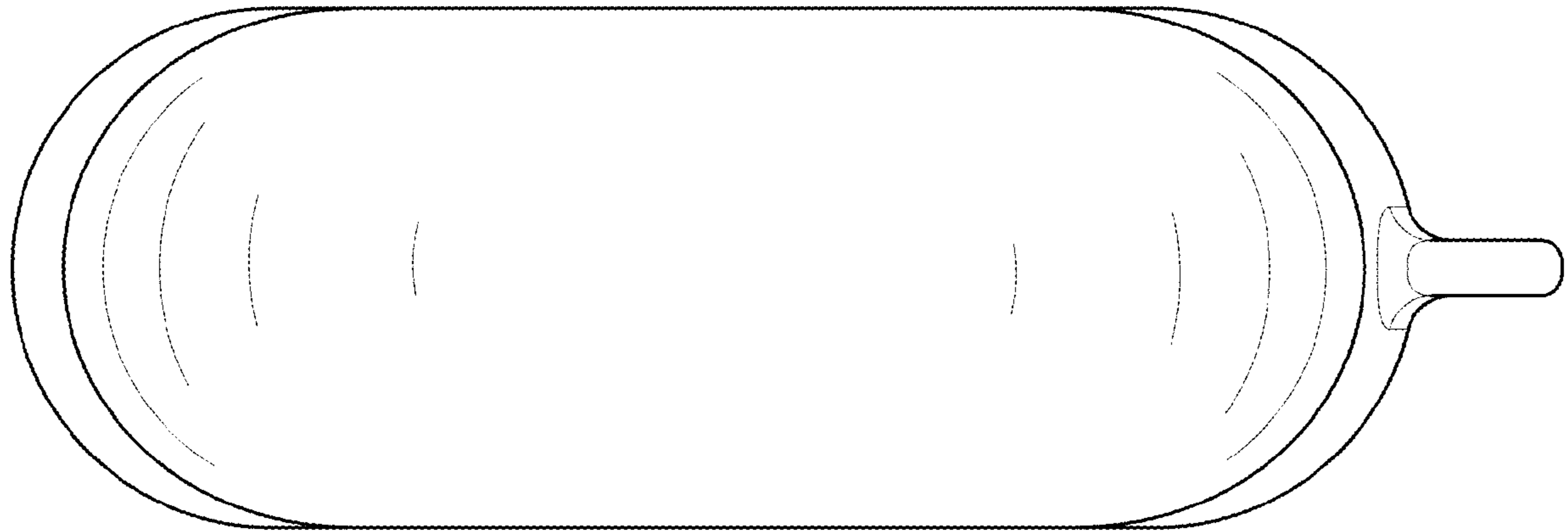


FIG. 6

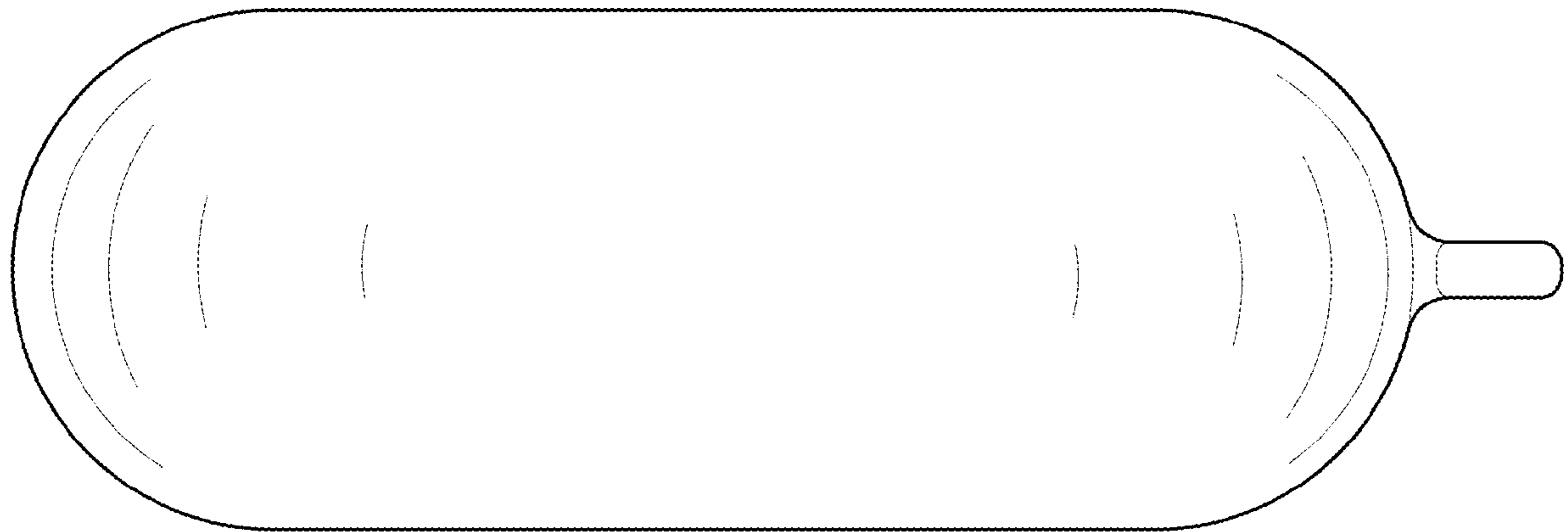


FIG. 7

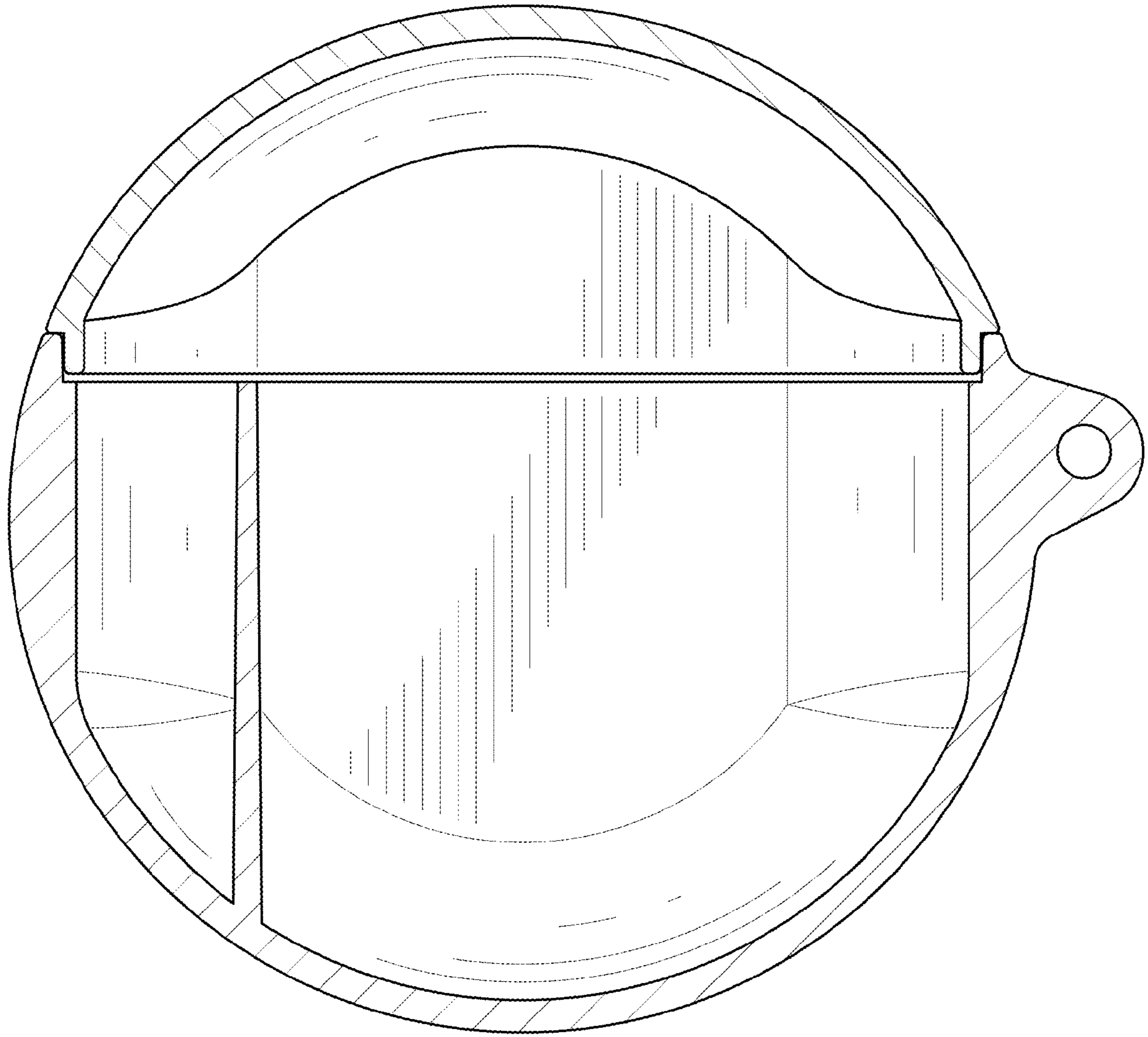


FIG. 8

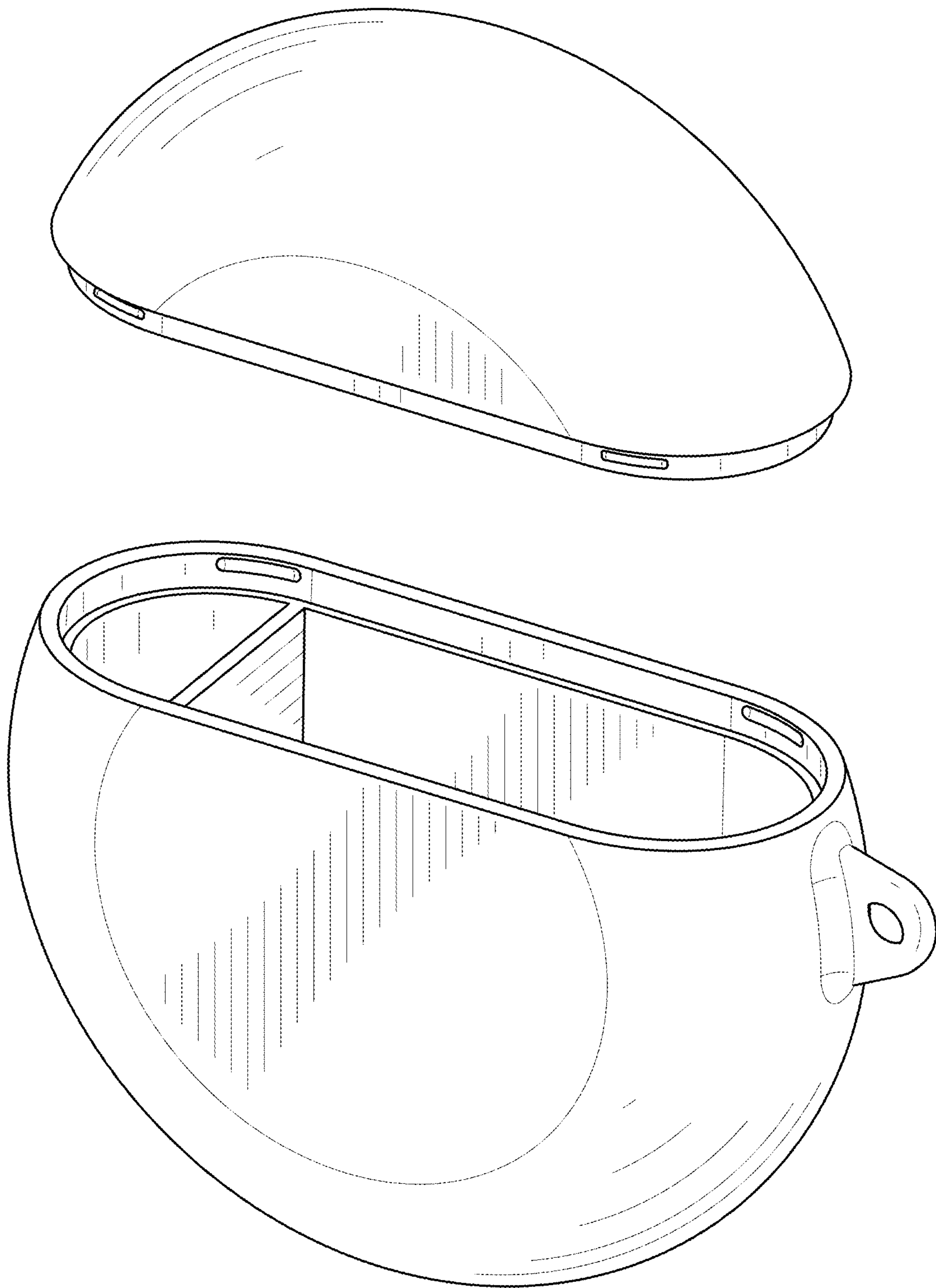


FIG. 9