



US00D950319S

(12) **United States Design Patent**
Huckestein et al.

(10) **Patent No.:** **US D950,319 S**
(45) **Date of Patent:** **** May 3, 2022**

(54) **GLASSWARE**

(71) Applicants: **William Huckestein**, Ventura, CA
(US); **Scott Kim**, Rancho Santa Fe, CA
(US)

(72) Inventors: **William Huckestein**, Ventura, CA
(US); **Scott Kim**, Rancho Santa Fe, CA
(US)

(**) Term: **15 Years**

(21) Appl. No.: **29/756,399**

(22) Filed: **Oct. 28, 2020**

Related U.S. Application Data

(62) Division of application No. 29/663,621, filed on Sep. 17, 2018, now Pat. No. Des. 903,423.

(51) **LOC (13) Cl.** **07-01**

(52) **U.S. Cl.**
USPC **D7/529**; D7/509

(58) **Field of Classification Search**
USPC D7/507, 509, 510, 511, 512, 523, 532,
D7/529, 531, 533, 535, 536, 608, 513;
D9/503, 504, 552, 435, 447, 741, 533;
D11/143, 144, 152, 153; D24/197
CPC A47J 41/0077; A47J 41/02; A47G 19/22;
A47G 19/2205; A47G 2019/2277; A47G
19/2288; A45F 3/20; A45F 2003/205;
B65D 43/02

See application file for complete search history.

(56) **References Cited**

U.S. PATENT DOCUMENTS

D364,781 S * 12/1995 Fenton D7/532
D420,284 S * 2/2000 Sagel D9/428
6,423,357 B1 * 7/2002 Woods A47G 21/18
426/138
D486,036 S * 2/2004 Chuang D7/529

D527,265 S * 8/2006 Brandt D9/556
D536,582 S * 2/2007 Roth D7/629
D560,437 S * 1/2008 Karam D7/532
D612,213 S * 3/2010 LaChance D7/624.2
D614,448 S * 4/2010 Cahen D7/532
D617,144 S * 6/2010 O'Connor D7/529
D619,897 S * 7/2010 Arnell D9/516
D701,123 S * 3/2014 Lo D9/552
D725,970 S * 4/2015 Karussi D7/523
D726,502 S * 4/2015 Broen D7/532
D739,757 S * 9/2015 Newton D9/520
D740,119 S * 10/2015 Smith D9/500
D741,659 S * 10/2015 Morris, II D7/532
D742,177 S * 11/2015 Morris, II D7/532
D760,544 S * 7/2016 Anzalone D21/322

(Continued)

OTHER PUBLICATIONS

Epicureanist Helix Whiskey Glass https://www.amazon.com/dp/B0748MDFCK/ref=cm_sw_em_r_mt_dp_FA1EWHENQKCBQB14S9F0 (Year: 2017).*

(Continued)

Primary Examiner — Jae Liang

(74) *Attorney, Agent, or Firm* — Quickpatents, LLC;
Kevin Prince

(57) **CLAIM**

We claim the ornamental design for a glassware, as shown and described.

DESCRIPTION

FIG. 1 is a perspective view of a glassware showing our new design;

FIG. 2 is a front elevational view of FIG. 1;

FIG. 3 is a rear elevational view of FIG. 1;

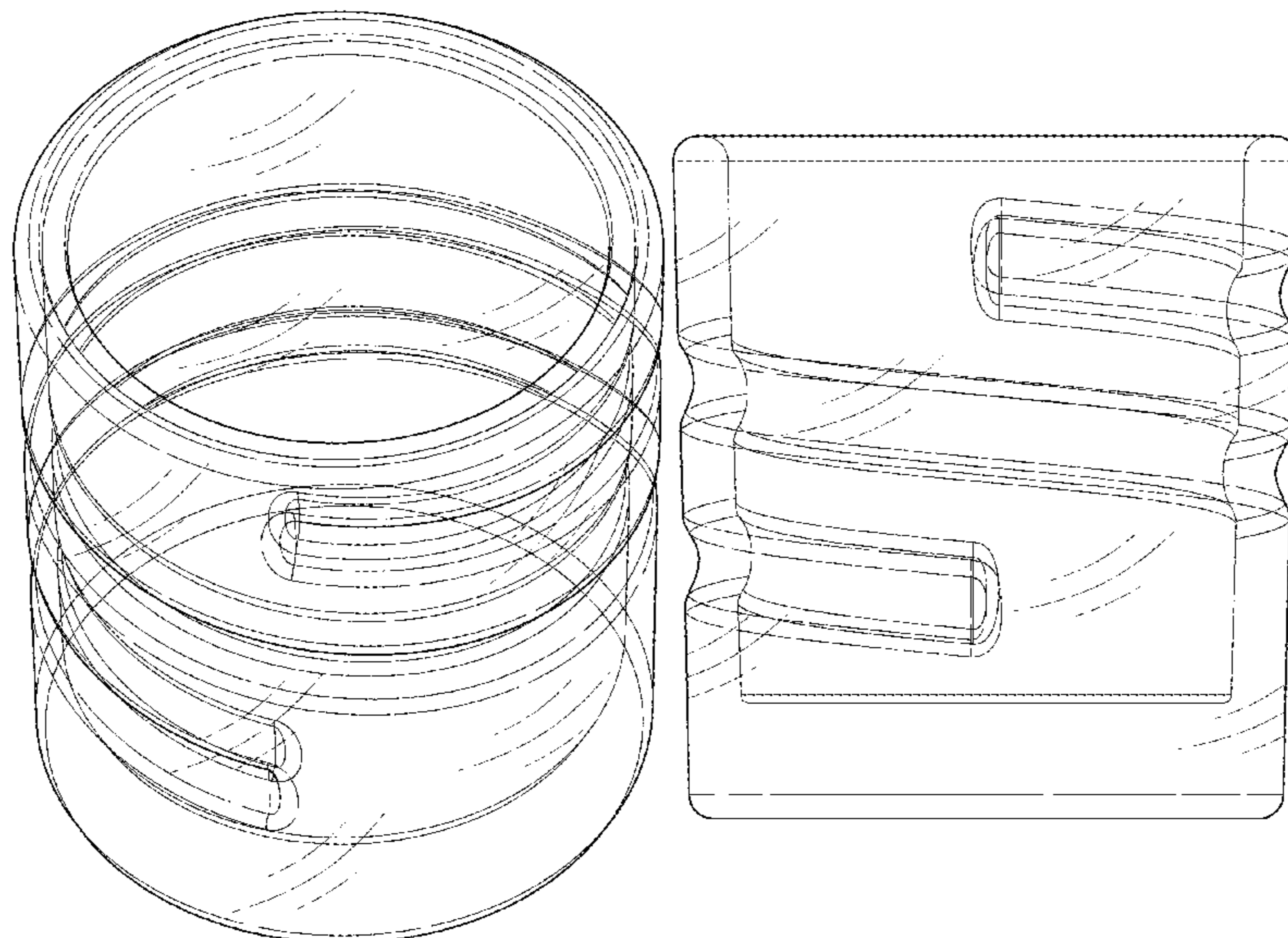
FIG. 4 is a left-side elevational view of FIG. 1;

FIG. 5 is a right-side elevational view of FIG. 1;

FIG. 6 is a top plan view of FIG. 1; and,

FIG. 7 is a bottom plan view of FIG. 1.

1 Claim, 6 Drawing Sheets



(56)

References Cited

U.S. PATENT DOCUMENTS

D772,717 S * 11/2016 Peacock D9/552
D779,883 S * 2/2017 Karussi D7/523
D787,267 S * 5/2017 Maas D9/554
D803,625 S * 11/2017 Garcia D7/532
D819,404 S * 6/2018 Metaxatos D7/396.4
D840,756 S * 2/2019 Falardeau D7/532
D842,117 S * 3/2019 Beverly D9/552
D854,930 S * 7/2019 Harvey D9/531
D860,729 S * 9/2019 Shen D7/512
D883,034 S * 5/2020 Abbasi D7/529
D889,207 S * 7/2020 Ambrosi D7/529
D903,423 S * 12/2020 Huckestein D7/529
2003/0160055 A1 * 8/2003 Stewart-Stand A45F 3/20
220/666
2007/0187418 A1 * 8/2007 Hansen A47G 19/2288
220/710
2014/0091101 A1 * 4/2014 Chiorazzi A47G 19/2205
220/669
2017/0367511 A1 * 12/2017 Neff A47G 19/2288

OTHER PUBLICATIONS

Shtox https://www.amazon.com/dp/B00H3OCUA4/ref=cm_sw_em_r_mt_dp_EF5TMV8PPVJ8P1X22DM7 (Year: 2016).*

* cited by examiner

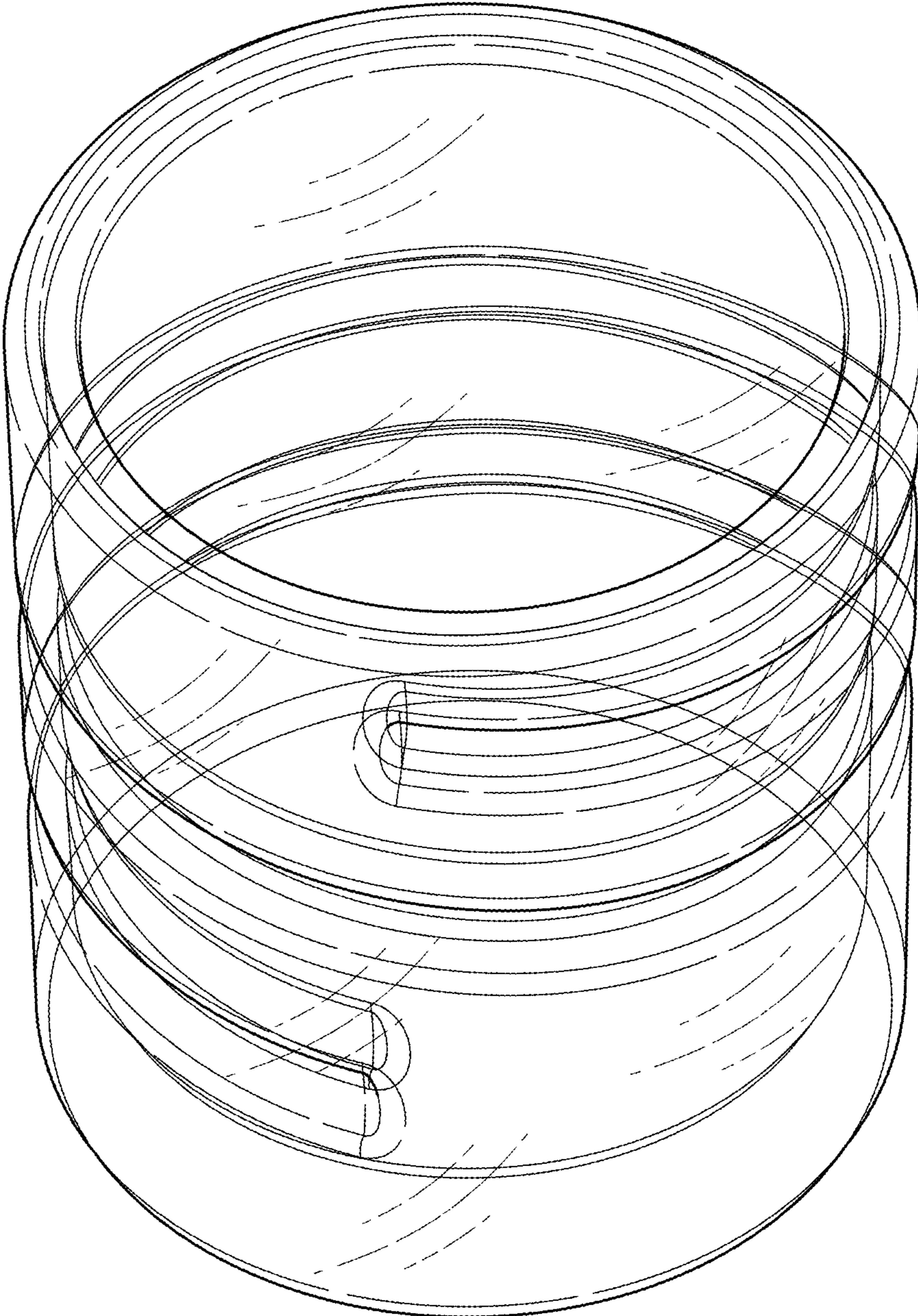


FIG. 1

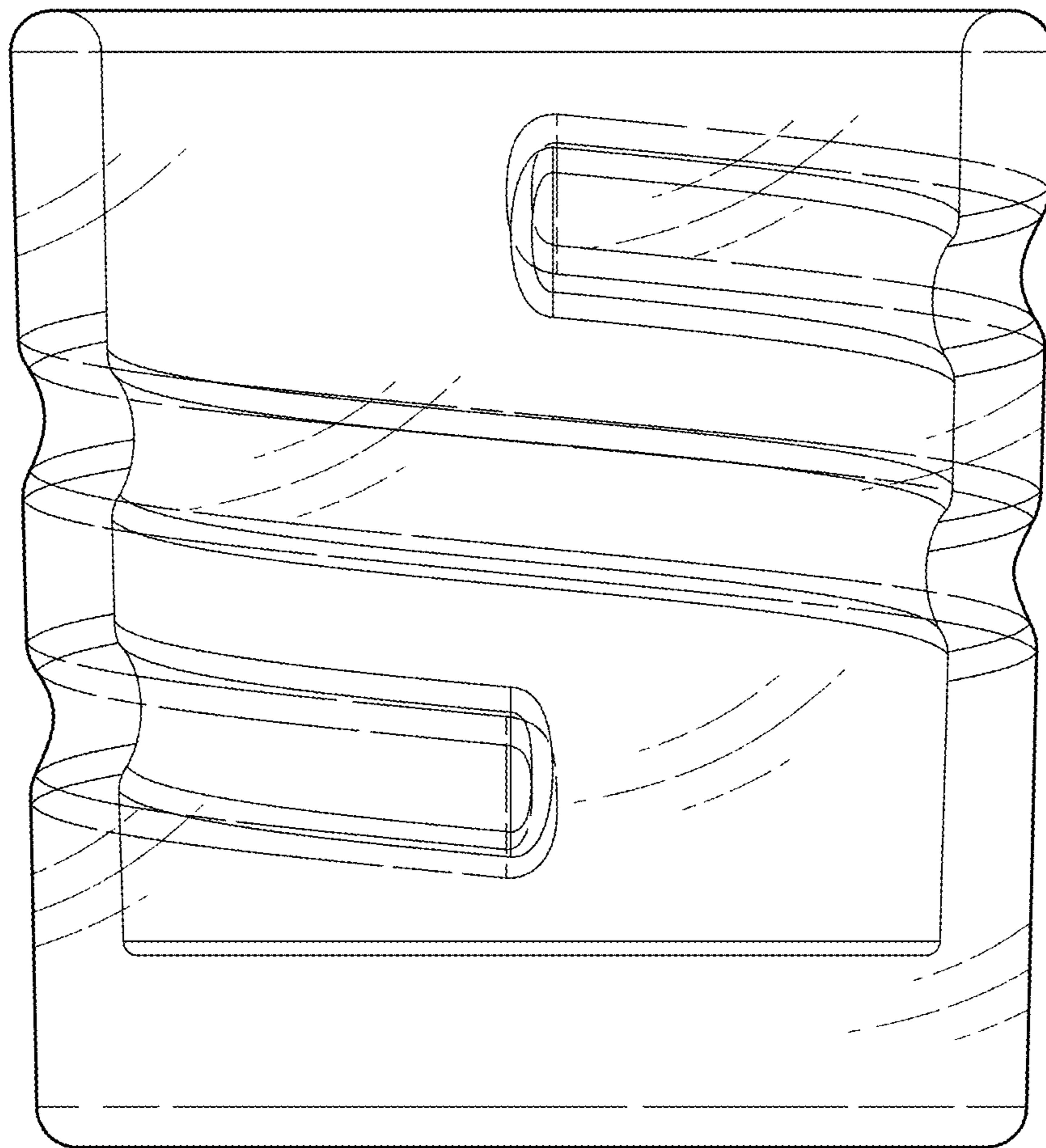


FIG. 2

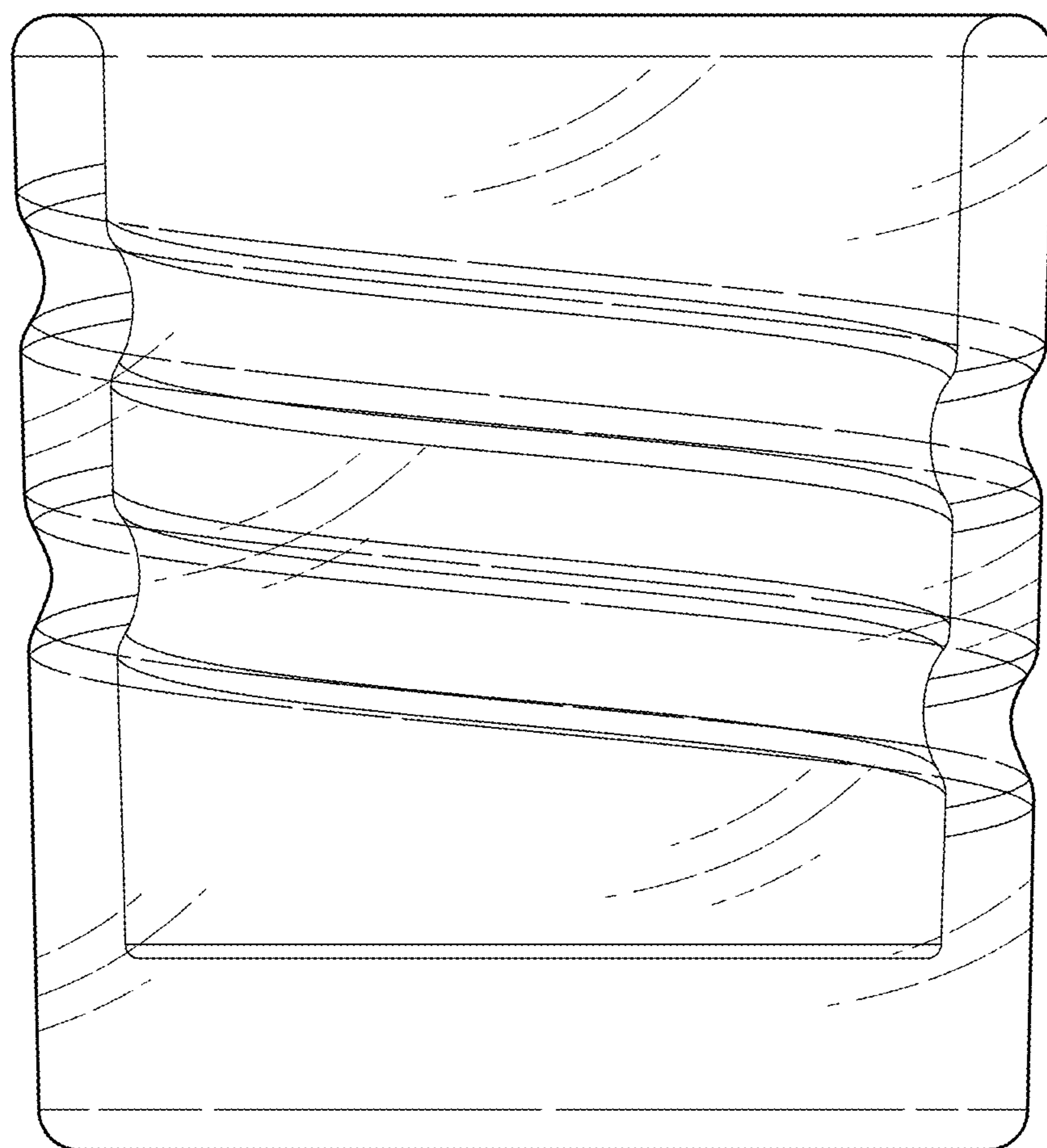


FIG. 3

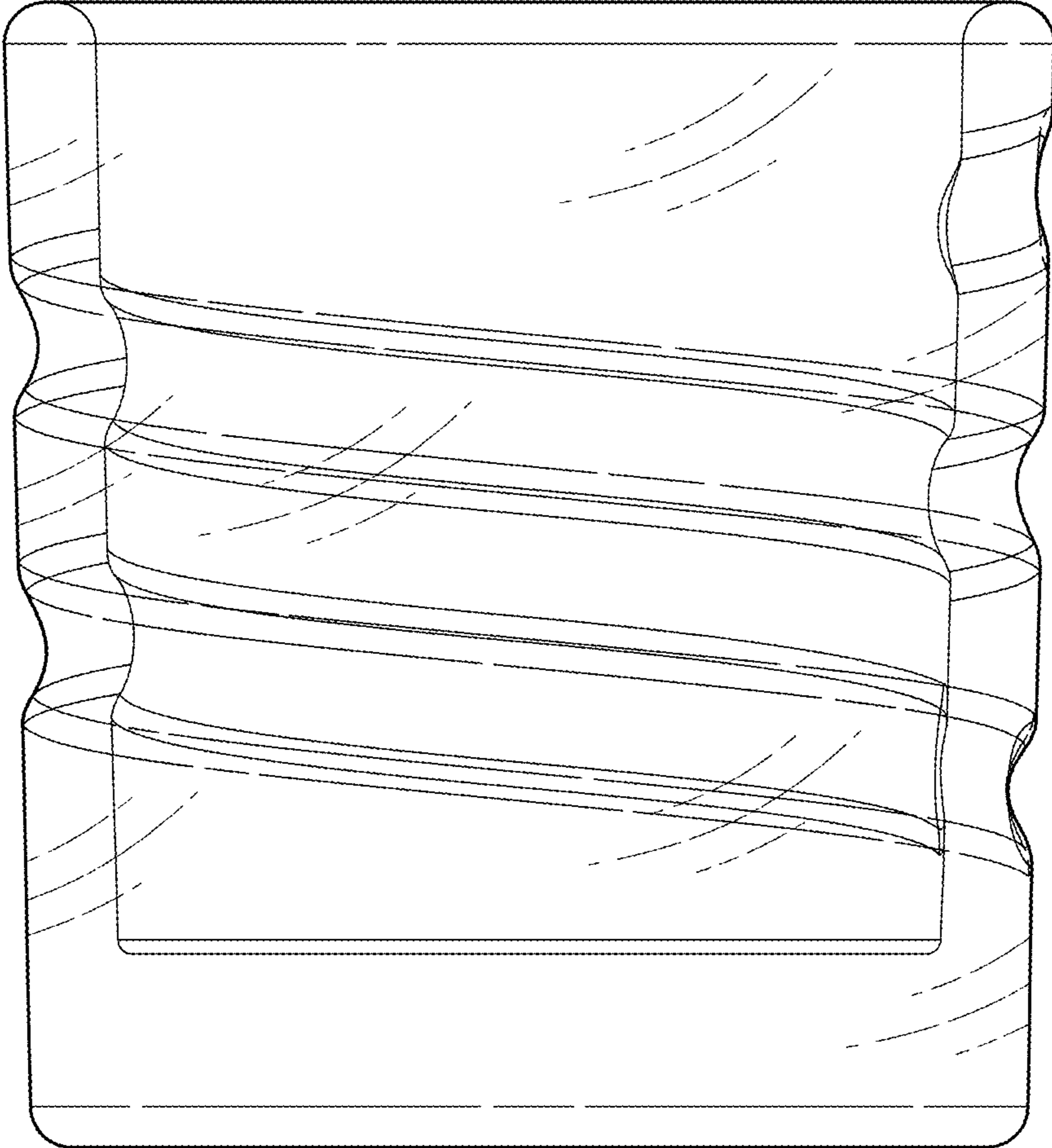


FIG. 4

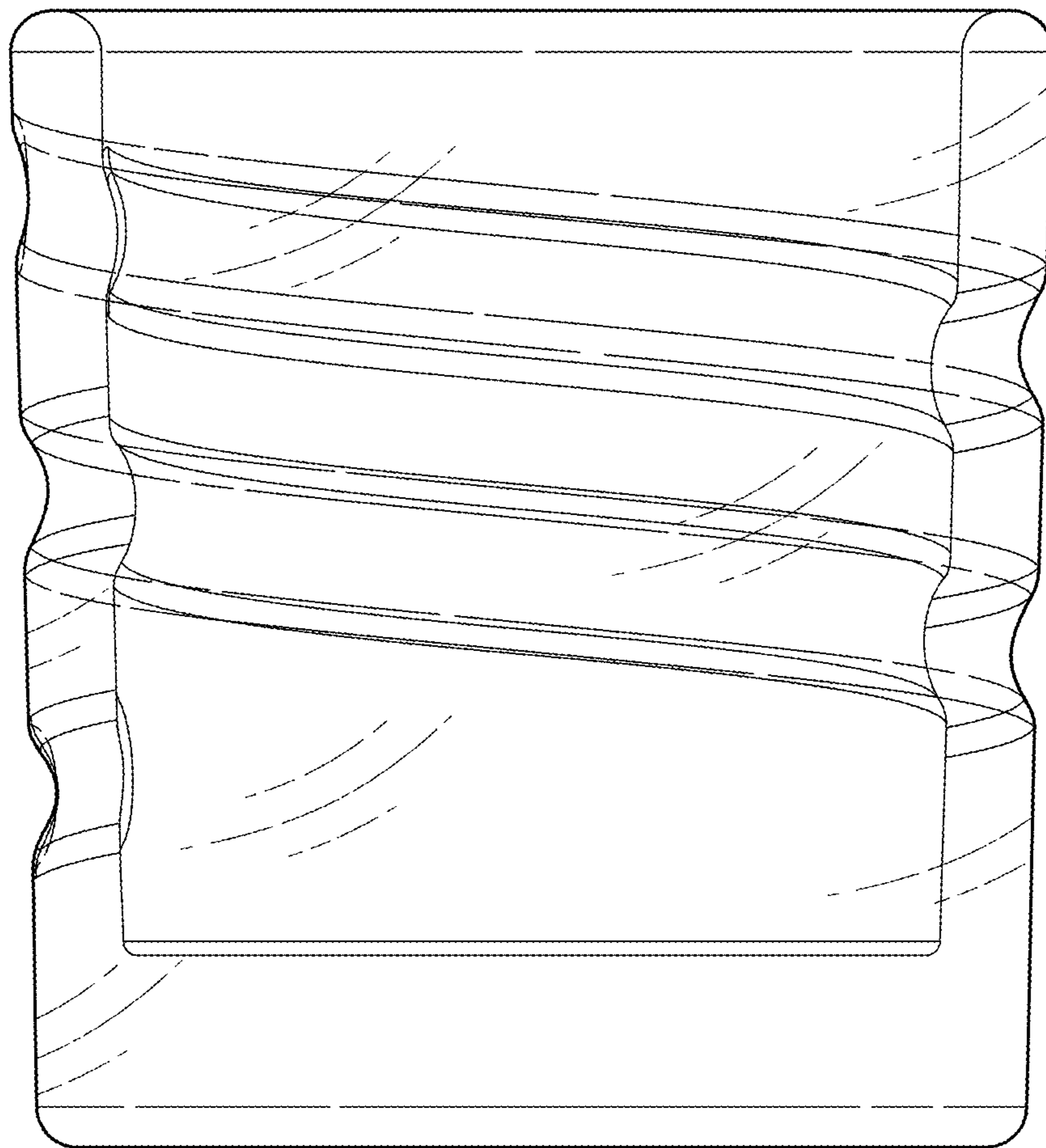


FIG. 5

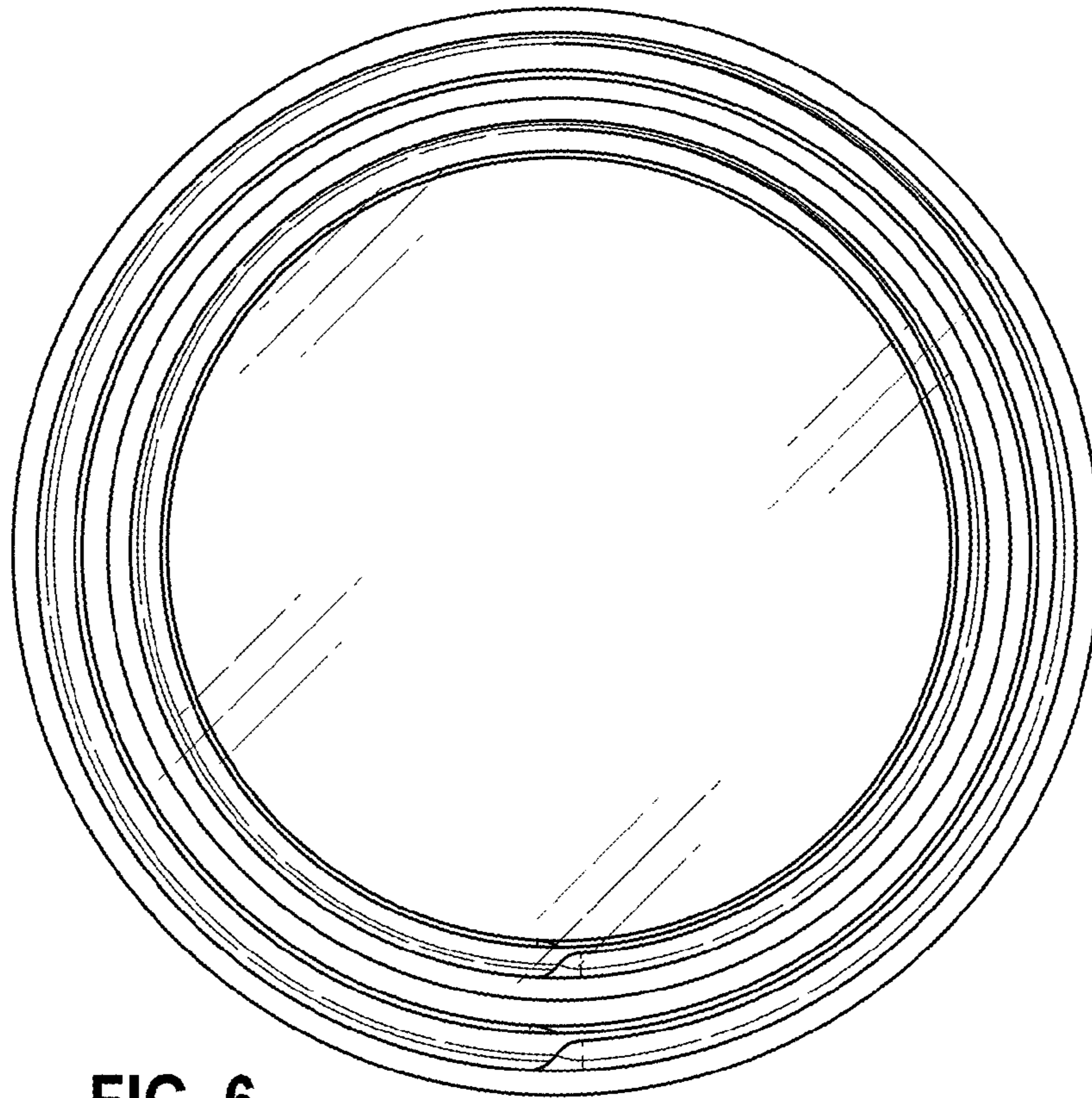


FIG. 6

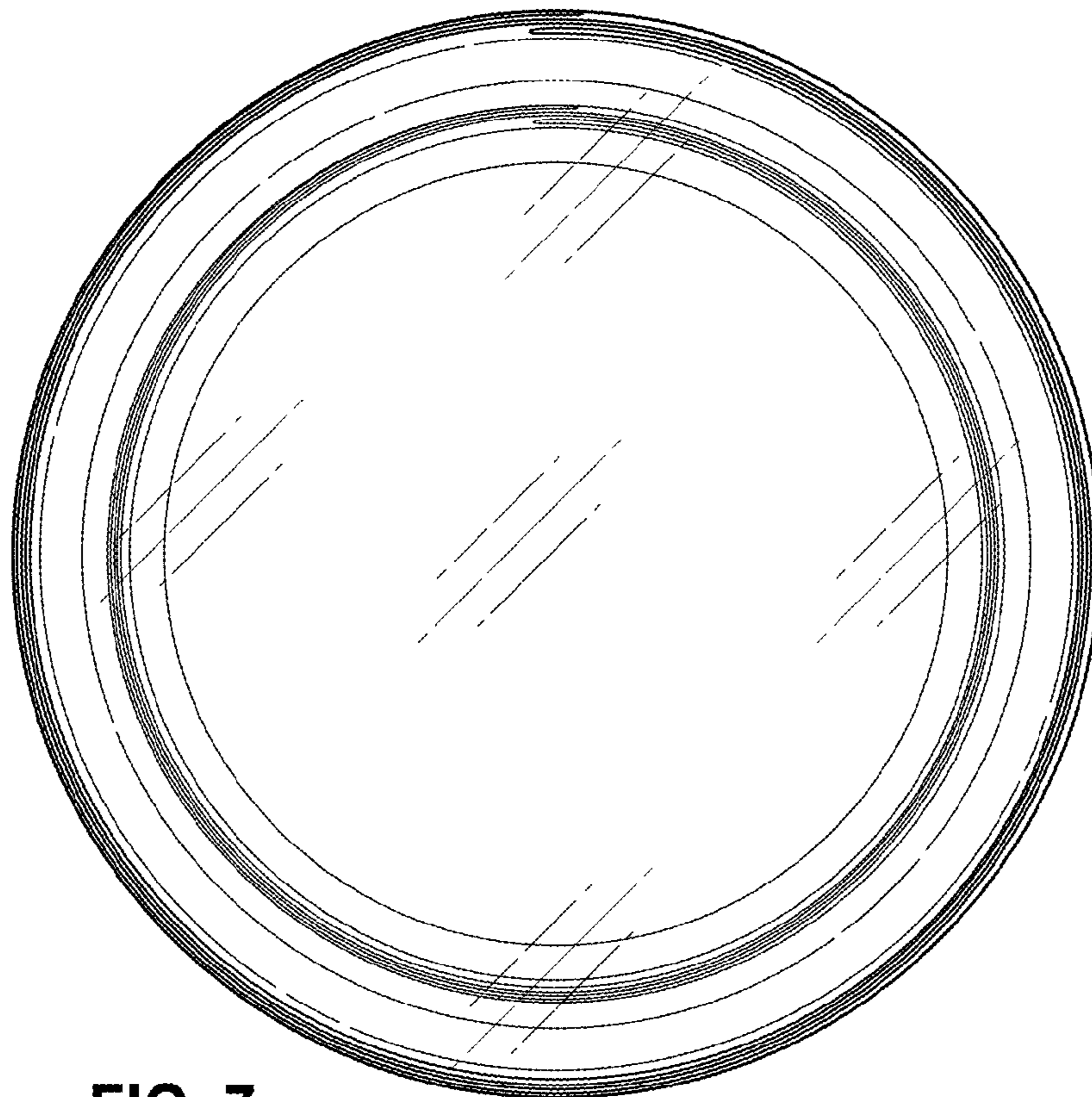


FIG. 7