



US00D950317S

(12) **United States Design Patent**
Lu

(10) **Patent No.:** **US D950,317 S**
(45) **Date of Patent:** **** May 3, 2022**

- (54) **CUP**
- (71) Applicant: **Zhiqun Lu**, Fujian (CN)
- (72) Inventor: **Zhiqun Lu**, Fujian (CN)
- (**) Term: **15 Years**
- (21) Appl. No.: **29/780,789**
- (22) Filed: **Apr. 27, 2021**
- (51) **LOC (13) Cl.** **07-01**
- (52) **U.S. Cl.**
USPC **D7/511; D7/510**
- (58) **Field of Classification Search**
USPC D7/507, 509, 510, 511, 619.1, 396.2,
D7/307, 306, 313, 392.1; 220/703;
D3/202
CPC ... A01K 7/00; A01K 5/00; A01K 7/06; A01K
7/02; A47G 19/22; A47G 19/2205; A47G
21/18; A47J 43/27; A45F 3/16
See application file for complete search history.

(56) **References Cited**

U.S. PATENT DOCUMENTS

- D200,018 S * 1/1965 Brocken D7/321
- 4,830,204 A * 5/1989 Lin A47G 19/2266
215/389
- D433,597 S * 11/2000 Fradkin D7/392.1
- D441,288 S * 5/2001 Pillers D7/392.1
- D450,583 S * 11/2001 Freed D7/392.1
- D451,338 S * 12/2001 Fradkin D7/392.1
- D608,147 S * 1/2010 Sykes D7/507
- D613,554 S 4/2010 Koennecke
- D637,872 S * 5/2011 Sarson D7/510
- D642,862 S * 8/2011 Tobias D7/510
- D642,863 S * 8/2011 Tobias D7/510
- D642,864 S * 8/2011 Tobias D7/510
- 8,381,935 B1 * 2/2013 Buck B65D 51/28
220/254.4
- D723,871 S * 3/2015 Khubani D7/505

- D750,937 S * 3/2016 Ji D7/511
 - D755,013 S * 5/2016 Khubani D7/507
 - D763,620 S * 8/2016 Szymanski D7/507
 - D763,621 S * 8/2016 Szymanski D7/507
 - D767,335 S * 9/2016 Khubani D7/507
- (Continued)

FOREIGN PATENT DOCUMENTS

- CA 137227 * 4/2011
 - CA 137229 * 4/2011
- (Continued)

OTHER PUBLICATIONS

Snackeez [online] URL: <https://www.amazon.com/Idea-Village-Despicable-Snack-Colors/dp/B012BVLOCC> (site visited: Jan. 11, 2022) (Year: 2015).*

(Continued)

Primary Examiner — Jae Liang
Assistant Examiner — Tia Ruth-Renee Polidori

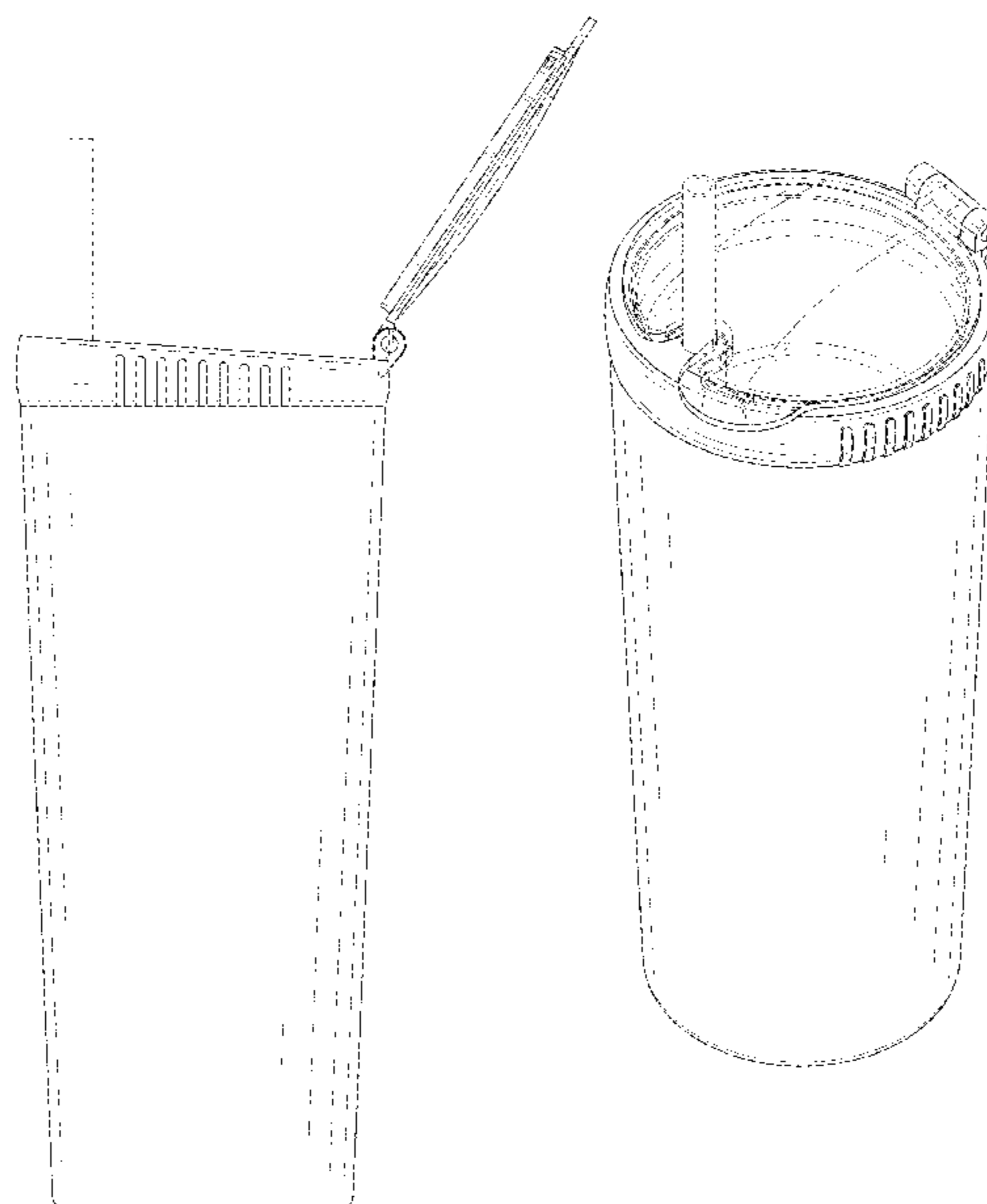
(57) **CLAIM**

The ornamental design for a cup, as shown and described.

DESCRIPTION

FIG. 1 is a front and top perspective view of a cup, showing my new design;
FIG. 2 is a rear and bottom perspective view thereof;
FIG. 3 is a front elevation view thereof;
FIG. 4 is a rear elevation view thereof;
FIG. 5 is a left side elevation view thereof;
FIG. 6 is a right side elevation view thereof;
FIG. 7 is a top plan view thereof;
FIG. 8 is a bottom plan view thereof; and,
FIG. 9 is another front and top perspective view thereof, shown in an alternative position.
The broken lines in the figures illustrate portions of the cup that form no part of the claimed design.

1 Claim, 9 Drawing Sheets



(56)

References Cited

U.S. PATENT DOCUMENTS

D773,895 S * 12/2016 Dai D7/507
D773,896 S * 12/2016 Dai D7/507
D833,818 S * 11/2018 Sletten D7/510
D851,994 S * 6/2019 Brady D7/507
D891,866 S * 8/2020 Ames D7/510
D927,935 S * 8/2021 Ames D7/510
D939,282 S * 12/2021 Delgado Carmona D7/511
2011/0309093 A1* 12/2011 Buck A47G 19/2205
220/711
2013/0068773 A1* 3/2013 Buck A47G 19/30
220/521
2013/0068774 A1* 3/2013 Buck A47G 19/065
220/521
2013/0119065 A1* 5/2013 Buck B65D 51/28
220/523
2014/0065276 A1* 3/2014 Howard A47J 43/27
426/489

2017/0362001 A1* 12/2017 Buck B65D 21/0222
2018/0194520 A1* 7/2018 Lovern A01N 25/34
2018/0273260 A1* 9/2018 Lin A47G 19/14
2021/0024261 A1* 1/2021 Brown, II A47G 19/2205

FOREIGN PATENT DOCUMENTS

CN 304325629 * 10/2017
GB 5003960 * 7/2016

OTHER PUBLICATIONS

JVILILM [online] URL: <https://www.amazon.com/JVILILM-tumbler-stainless-insulated-Tumbler/dp/B08NTJ1LKK> (site visited: Jan. 11, 2022) (Year: 2020).*
CG Trader [online] URL: <https://www.cgtrader.com/3d-models/household/kitchenware/2-in-1-travel-snack-drink-cup-bottle-container-lid-with-straw> (site visited: Jan. 11, 2022) (Year: 2021).*

* cited by examiner

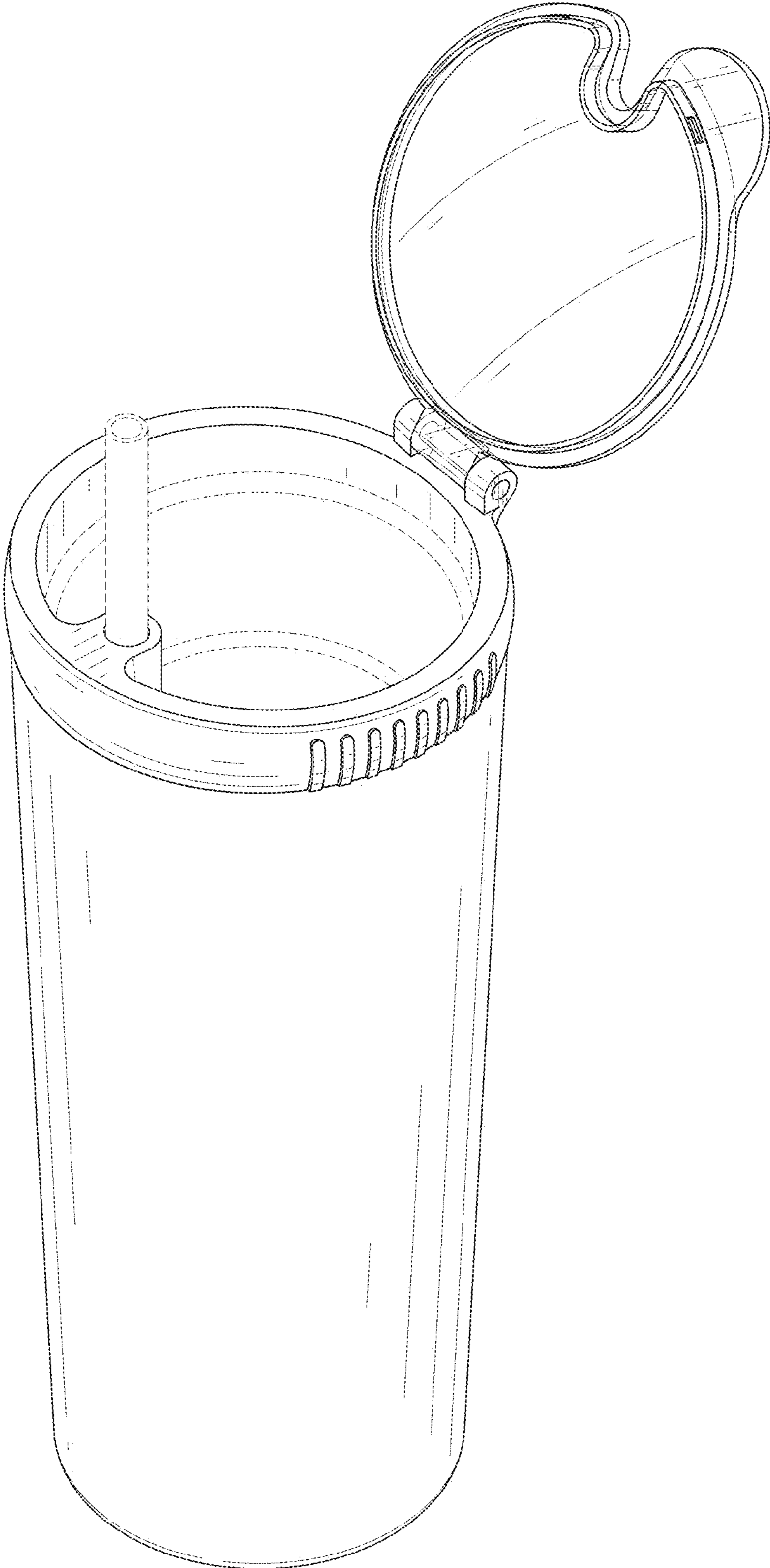


FIG. 1

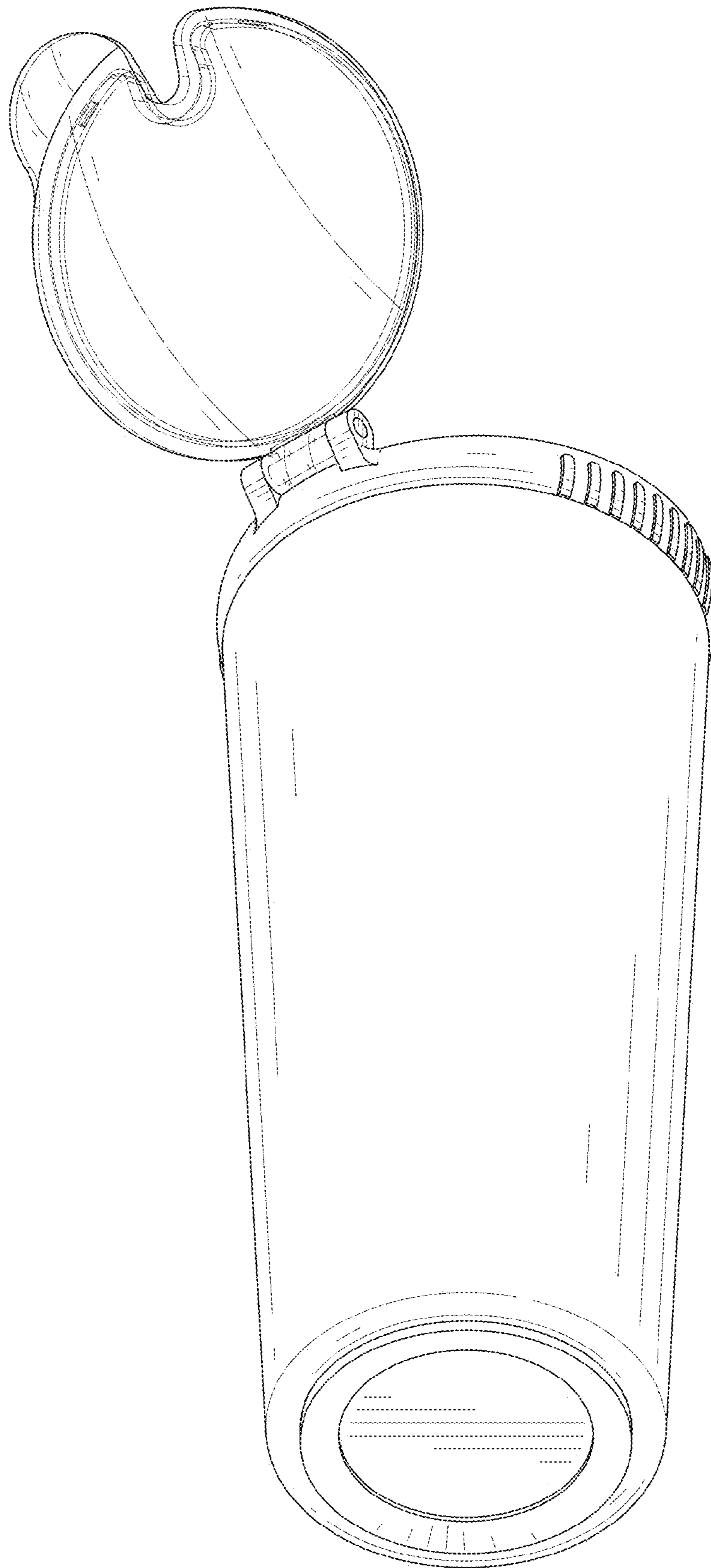


FIG. 2

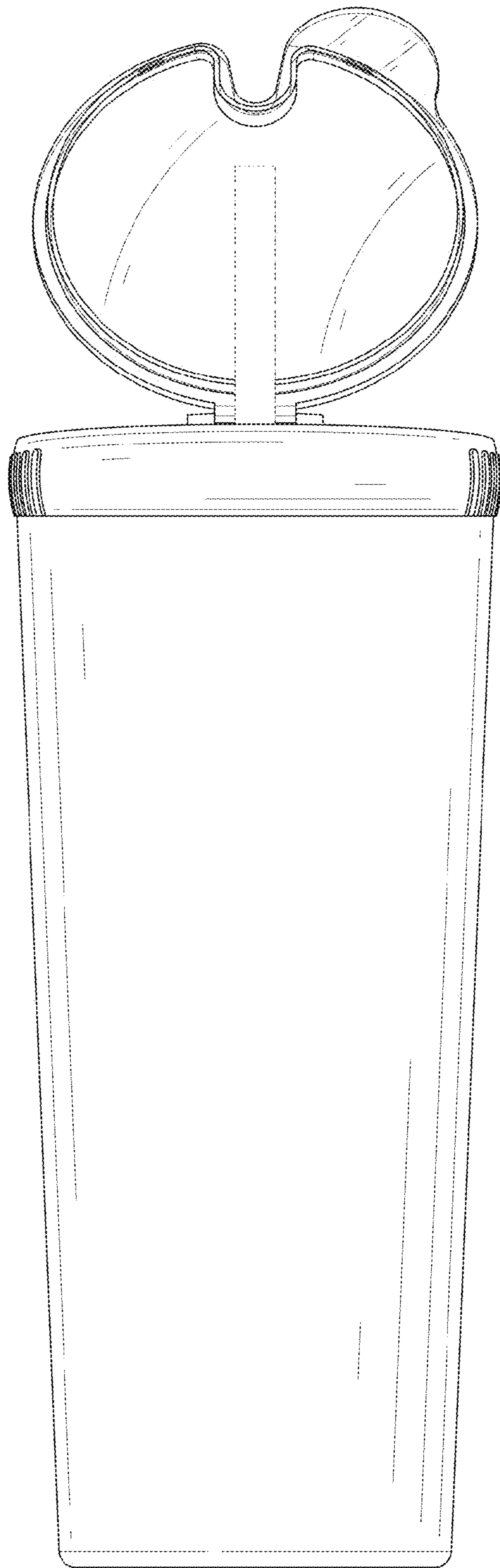


FIG. 3

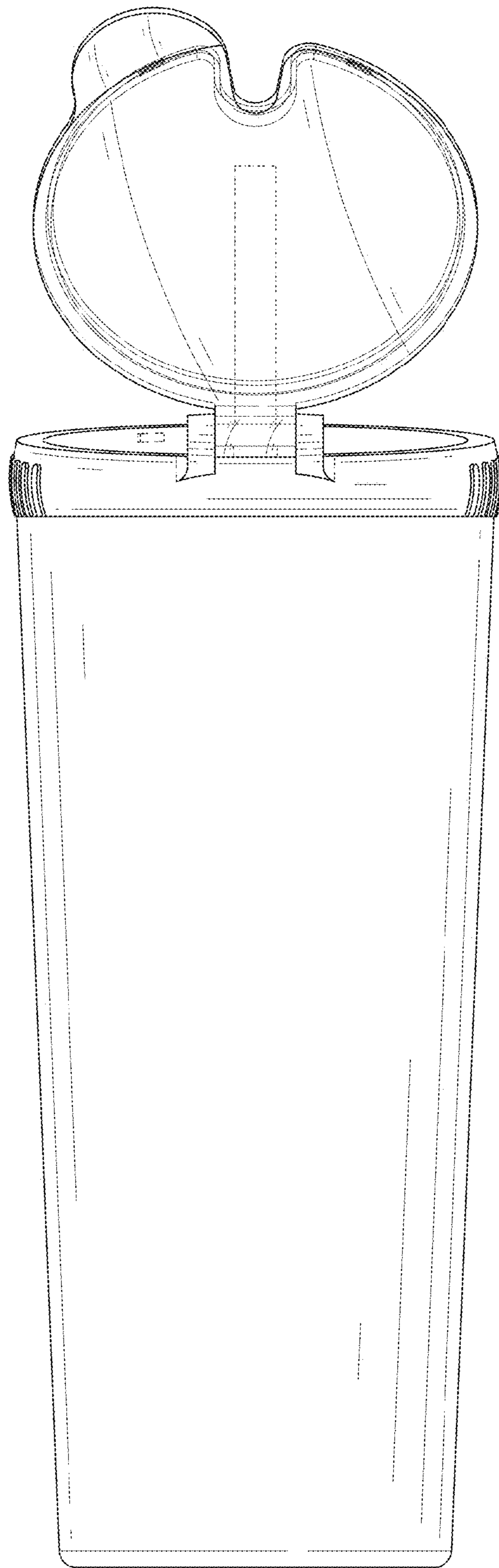


FIG. 4

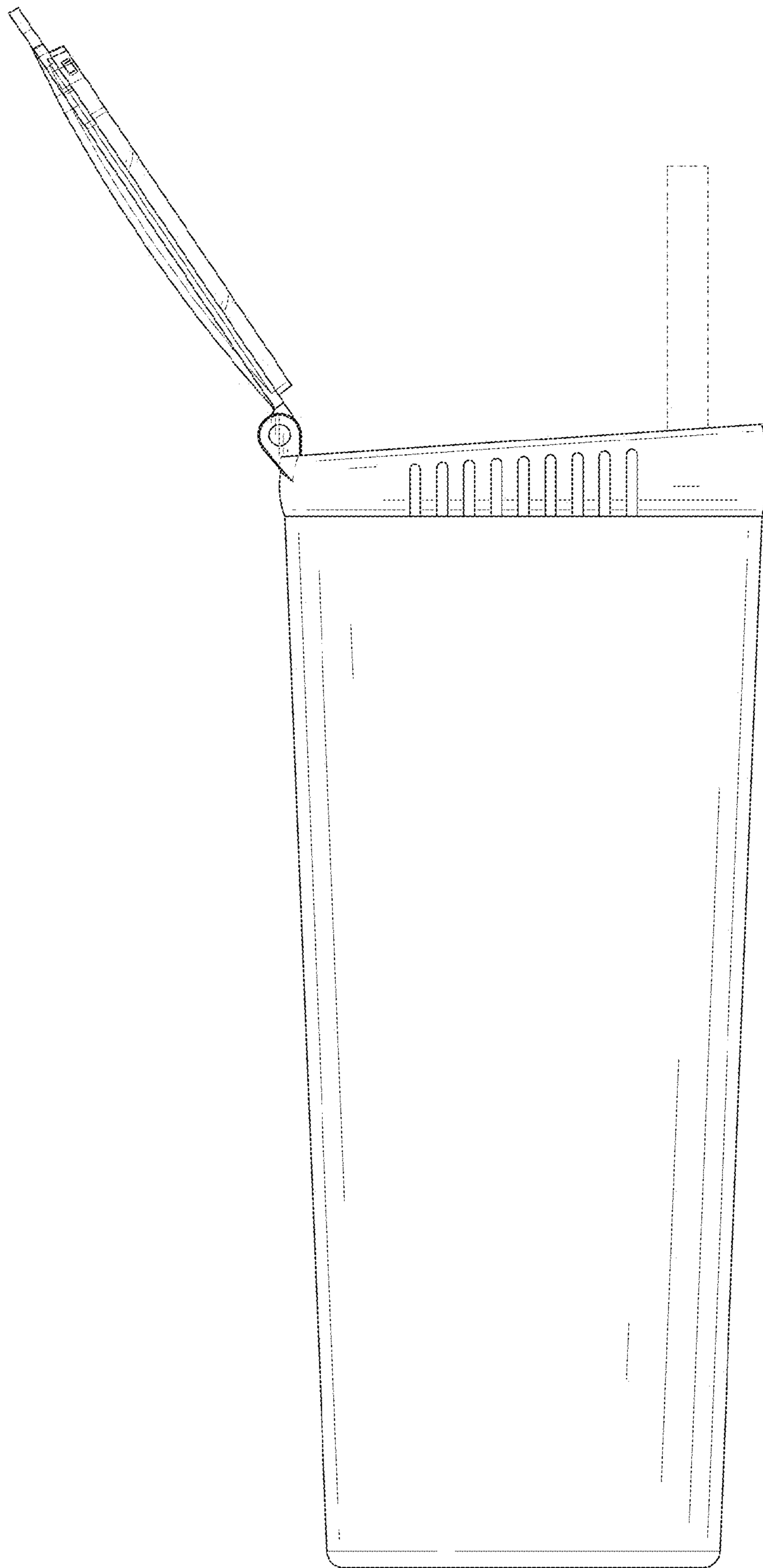


FIG. 5

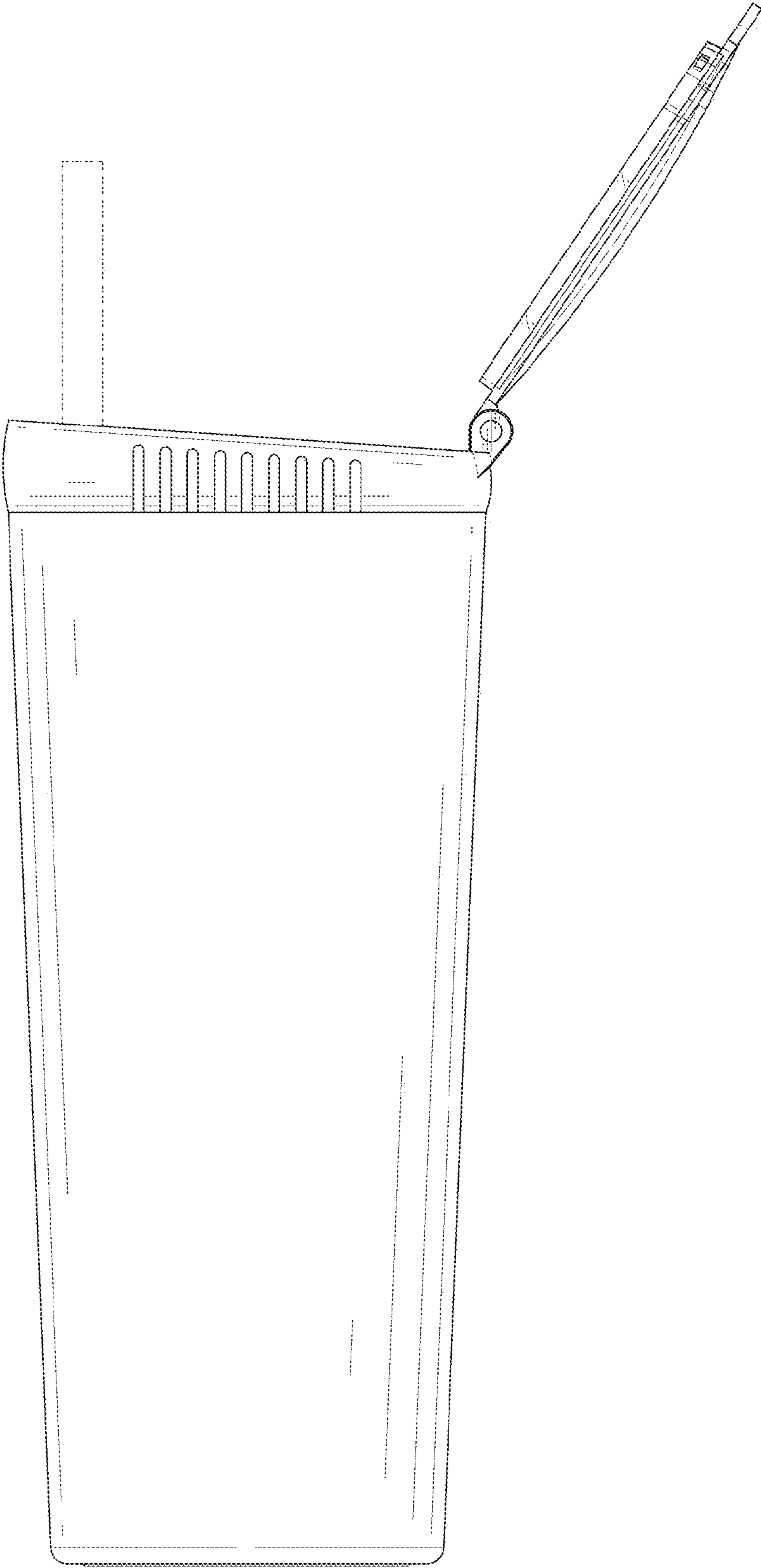


FIG. 6

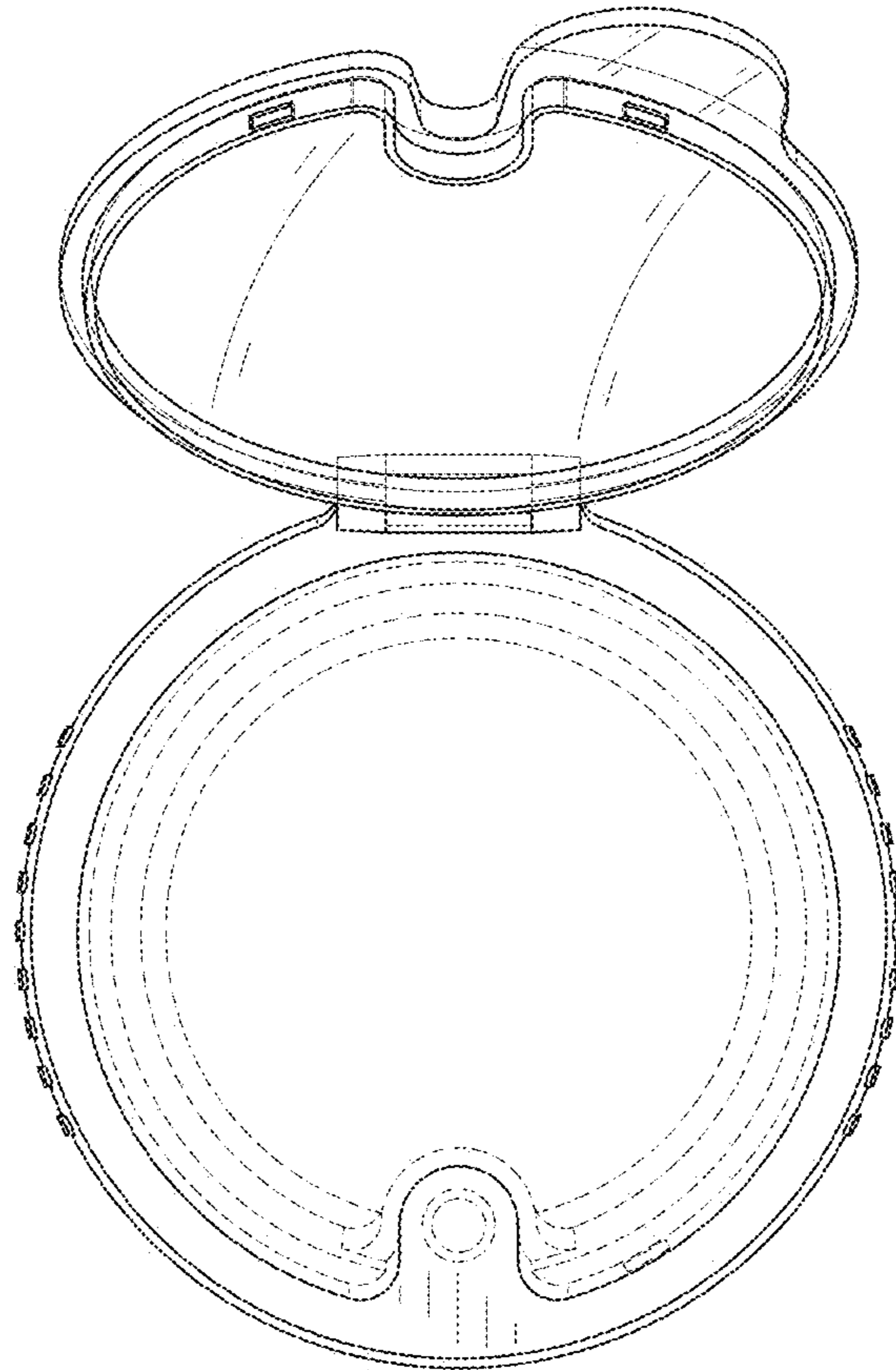


FIG. 7

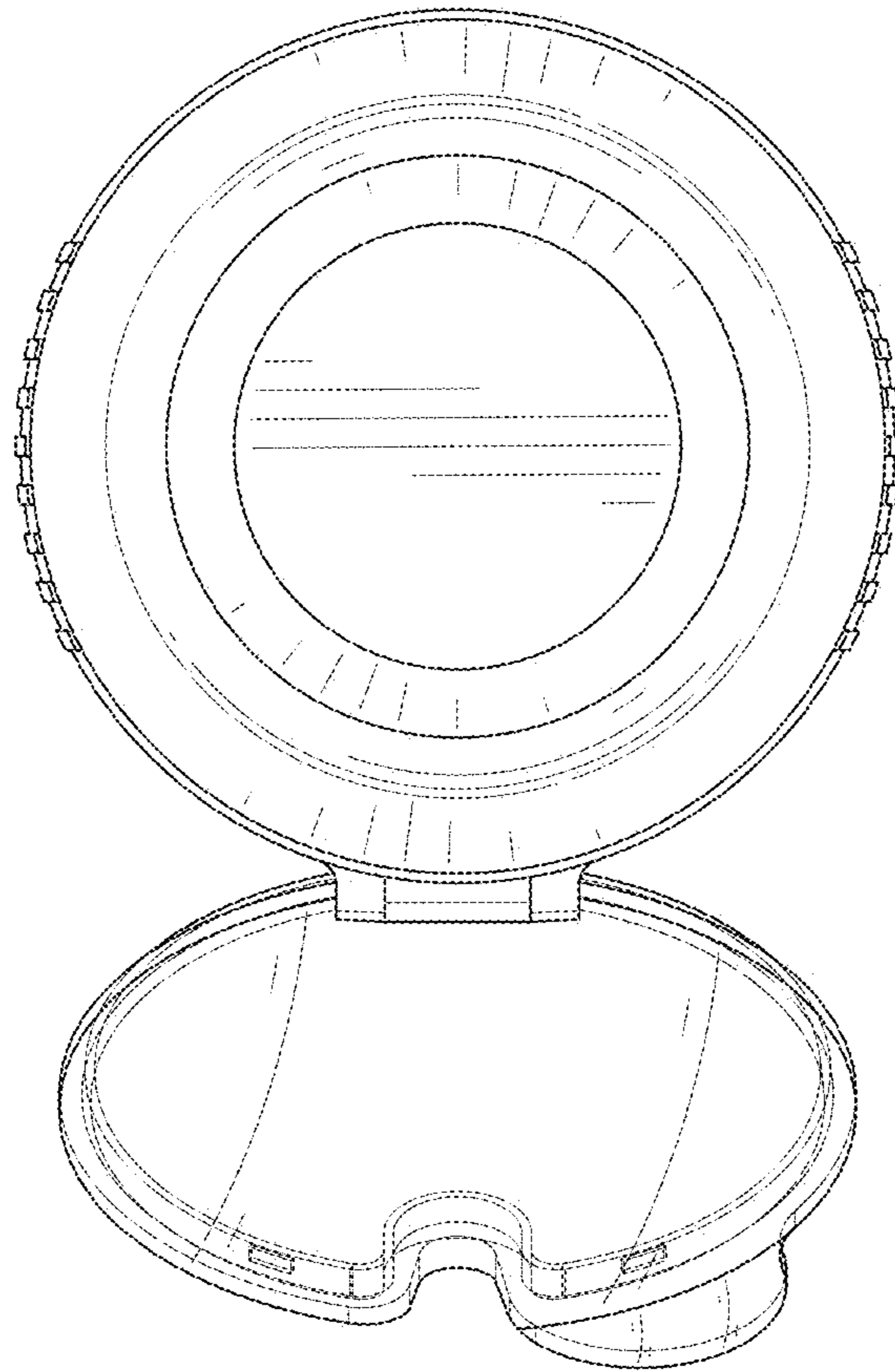


FIG. 8

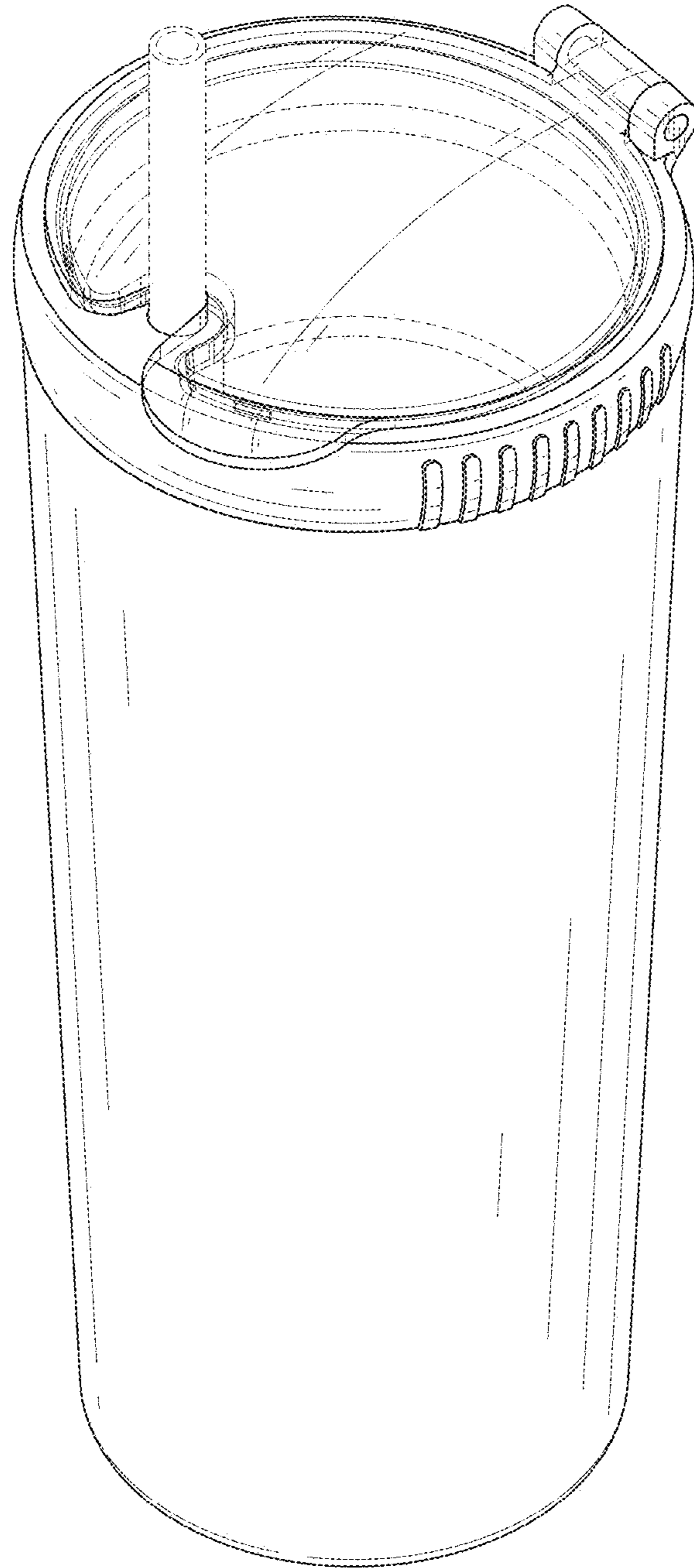


FIG. 9