



US00D950312S

(12) **United States Design Patent** (10) **Patent No.:** **US D950,312 S**
Shen (45) **Date of Patent:** **** May 3, 2022**

(54) **HEAT-DISTRIBUTING AND COAL-CONTAINING APPARATUS**

(71) Applicant: **Nelson Shen**, Dongguan (CN)

(72) Inventor: **Nelson Shen**, Dongguan (CN)

(**) Term: **15 Years**

(21) Appl. No.: **29/732,031**

(22) Filed: **Apr. 21, 2020**

(51) **LOC (13) Cl.** **07-02**

(52) **U.S. Cl.**
USPC **D7/409**

(58) **Field of Classification Search**
USPC D7/402-411, 331-341, 346-349,
D7/352-353, 362-367, 357, 359, 368
CPC A47J 37/07; A47J 37/0704; A47J 37/0763;
A21D 13/47; A21B 3/131; F24C 3/082;
F24C 3/085
See application file for complete search history.

(56) **References Cited**

U.S. PATENT DOCUMENTS

D370,595 S * 6/1996 Koziol D7/409
D383,356 S * 9/1997 Stuck D7/332
D443,795 S * 6/2001 Rimback D7/402
D446,683 S * 8/2001 Pai D7/402

D474,371 S * 5/2003 Lor D7/402
D567,022 S * 4/2008 Spangrud D7/409
D618,506 S * 6/2010 Offredi D7/407
D717,598 S * 11/2014 Lu D7/409
D722,819 S * 2/2015 Lu D7/407
9,423,123 B2 * 8/2016 Deng A47J 37/0727
D826,626 S * 8/2018 Lee D7/362
2005/0284461 A1 * 12/2005 Hsu A47J 37/0786
126/41 R

* cited by examiner

Primary Examiner — Sheryl Lane

Assistant Examiner — Nicole C Shiflet

(74) *Attorney, Agent, or Firm* — Bruce Stone LLP;
Joseph A. Bruce

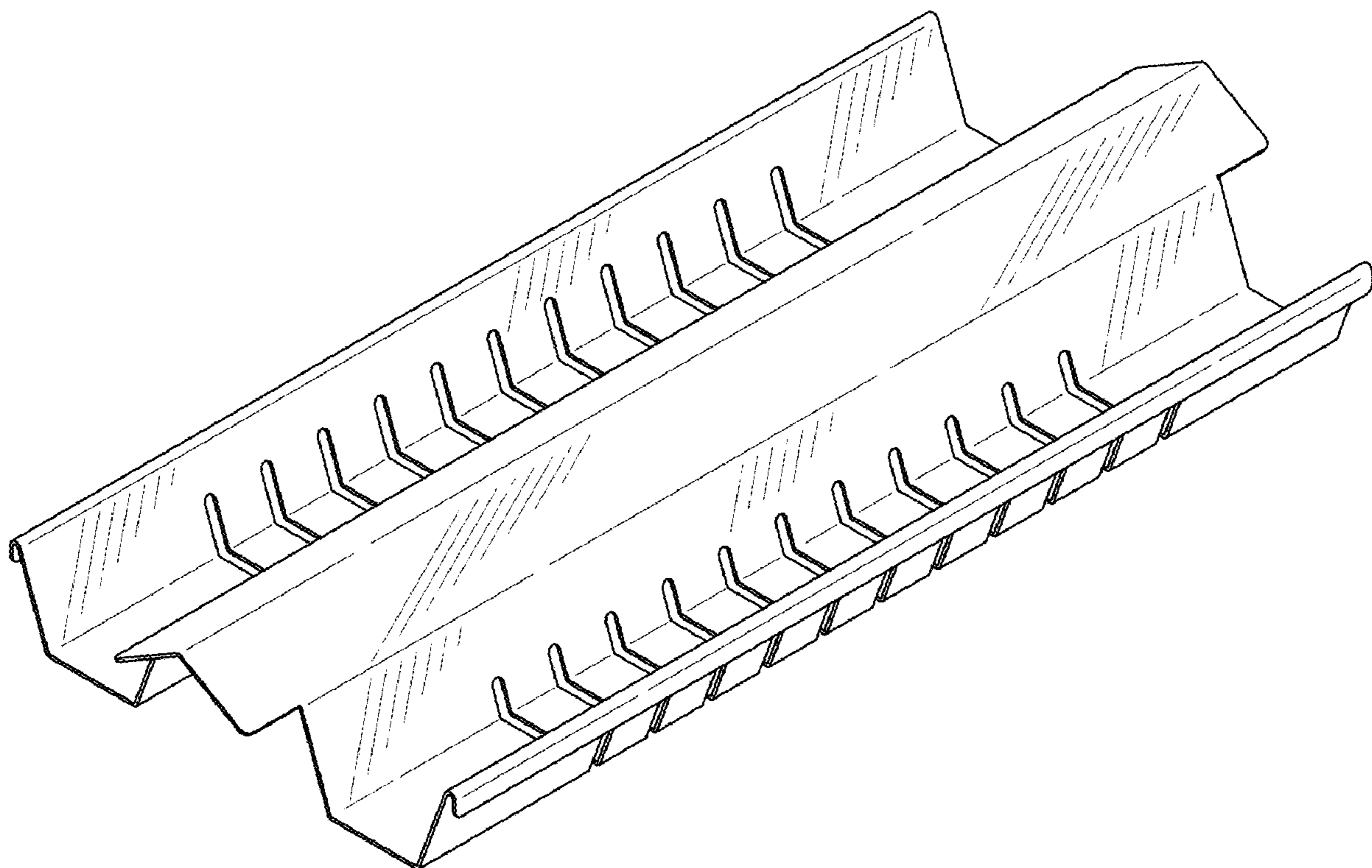
(57) **CLAIM**

The ornamental design for a heat-distributing and coal-containing apparatus, as shown and described.

DESCRIPTION

FIG. 1 is a perspective view of a heat-distributing and coal-containing apparatus of my new ornamental design; FIG. 2 is a front view thereof; FIG. 3 is a rear view thereof; FIG. 4 is a right side view thereof; FIG. 5 is a left side view thereof; FIG. 6 is a top view thereof; and, FIG. 7 is a bottom view thereof.

1 Claim, 7 Drawing Sheets



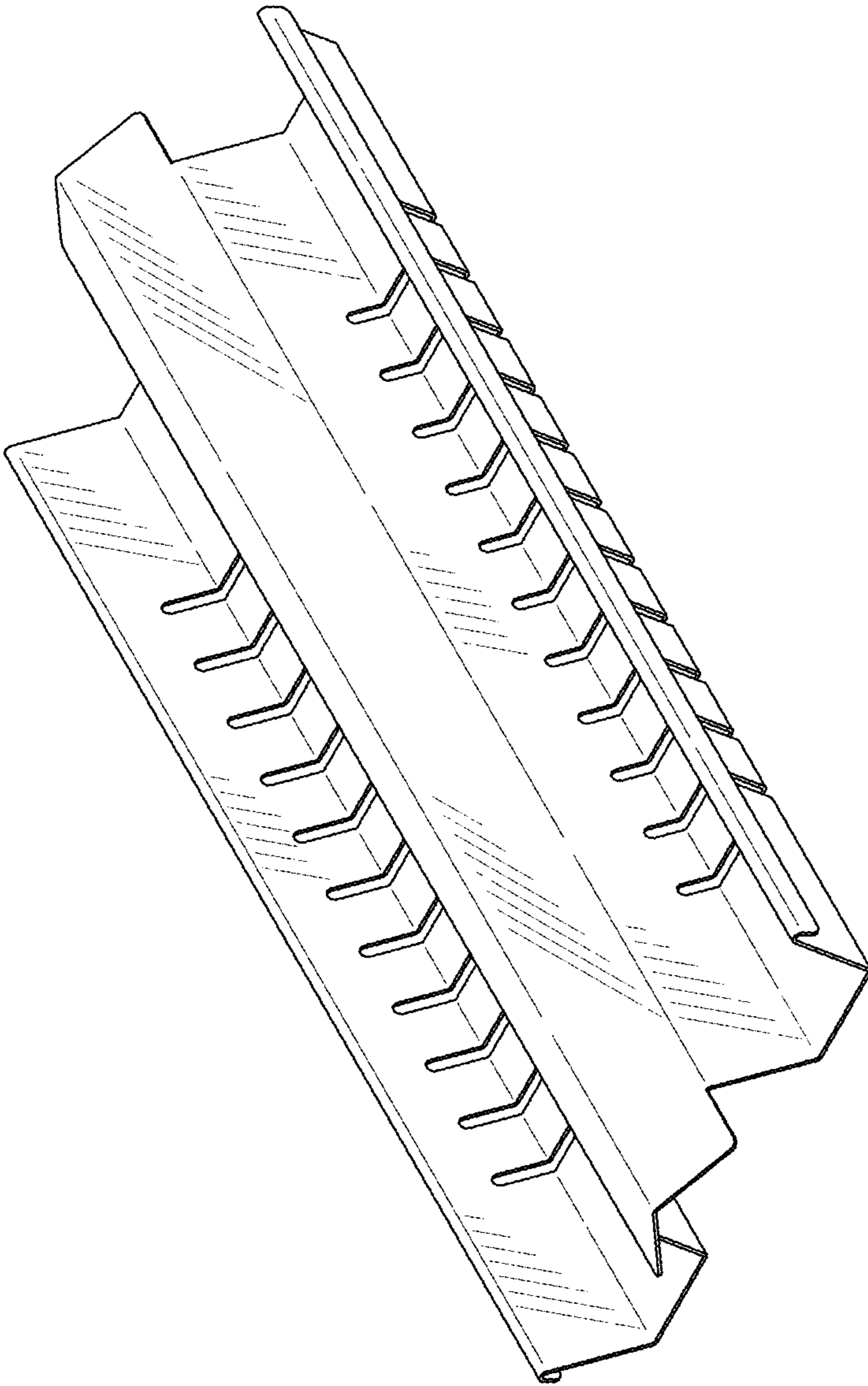


Fig. 1

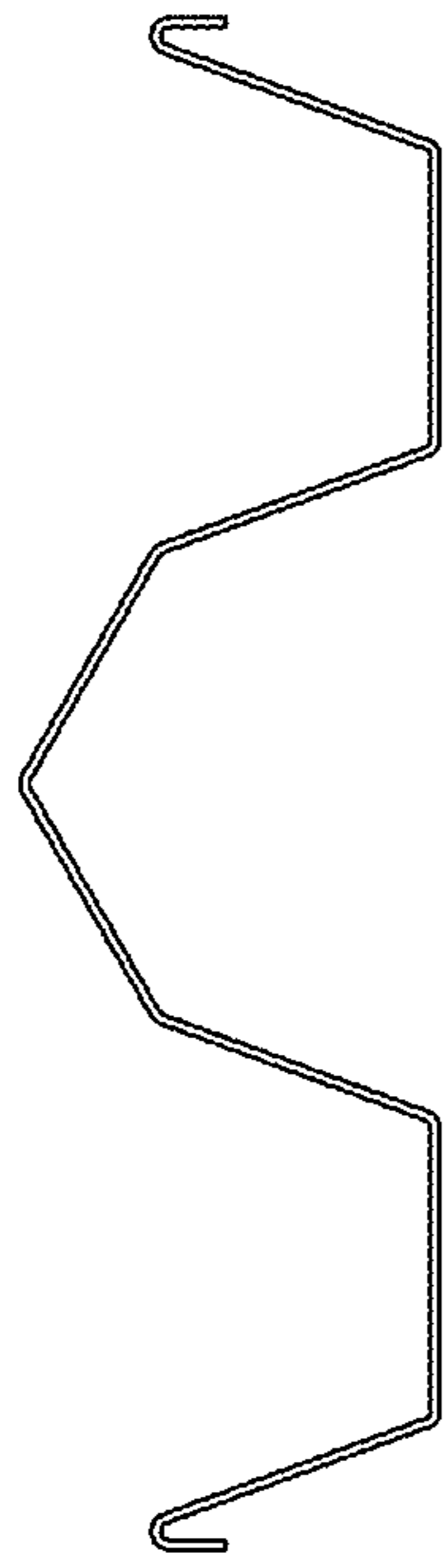


Fig. 2

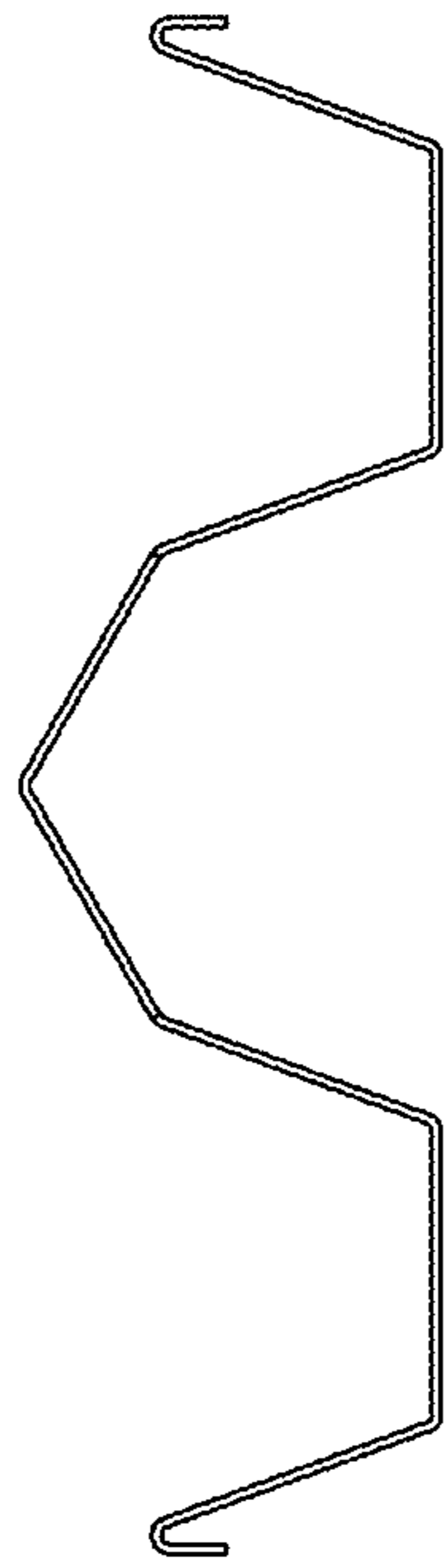


Fig. 3

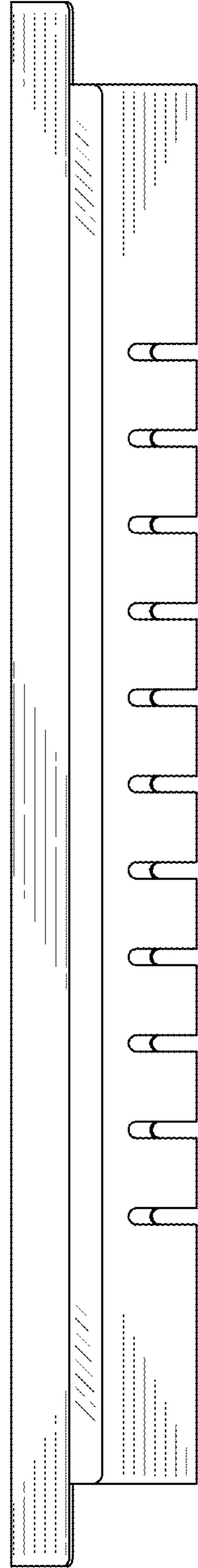


Fig. 4

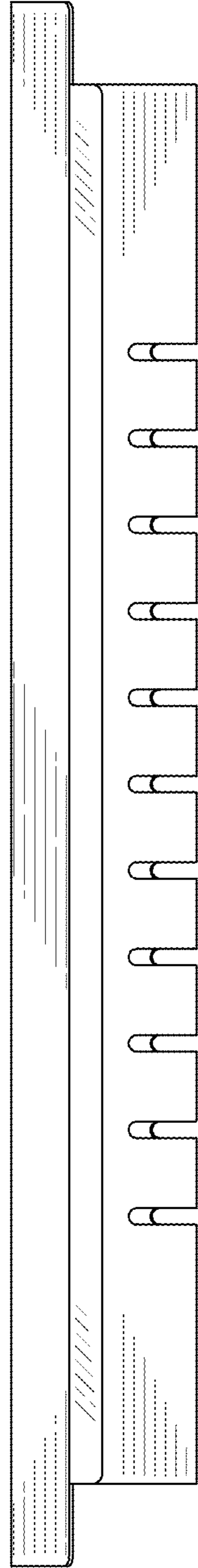


Fig. 5

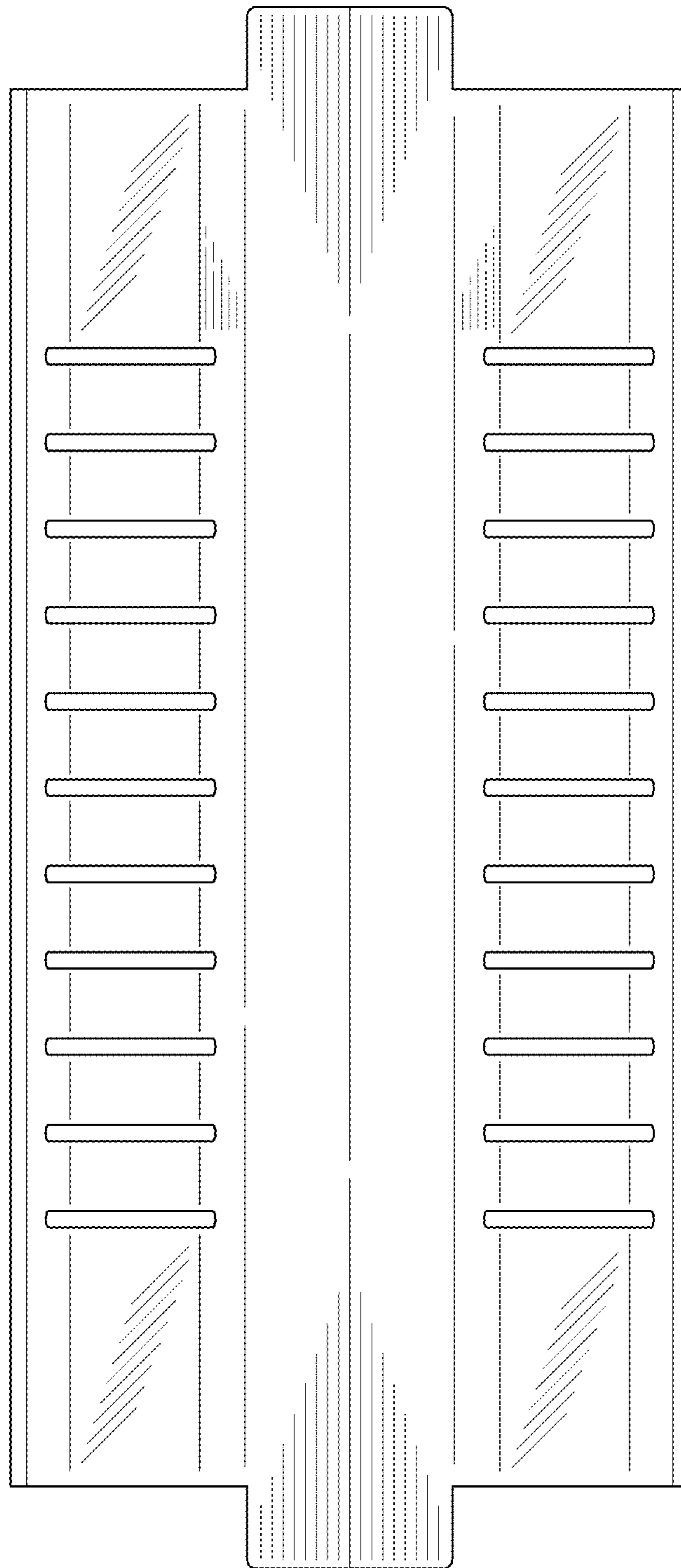


Fig. 6

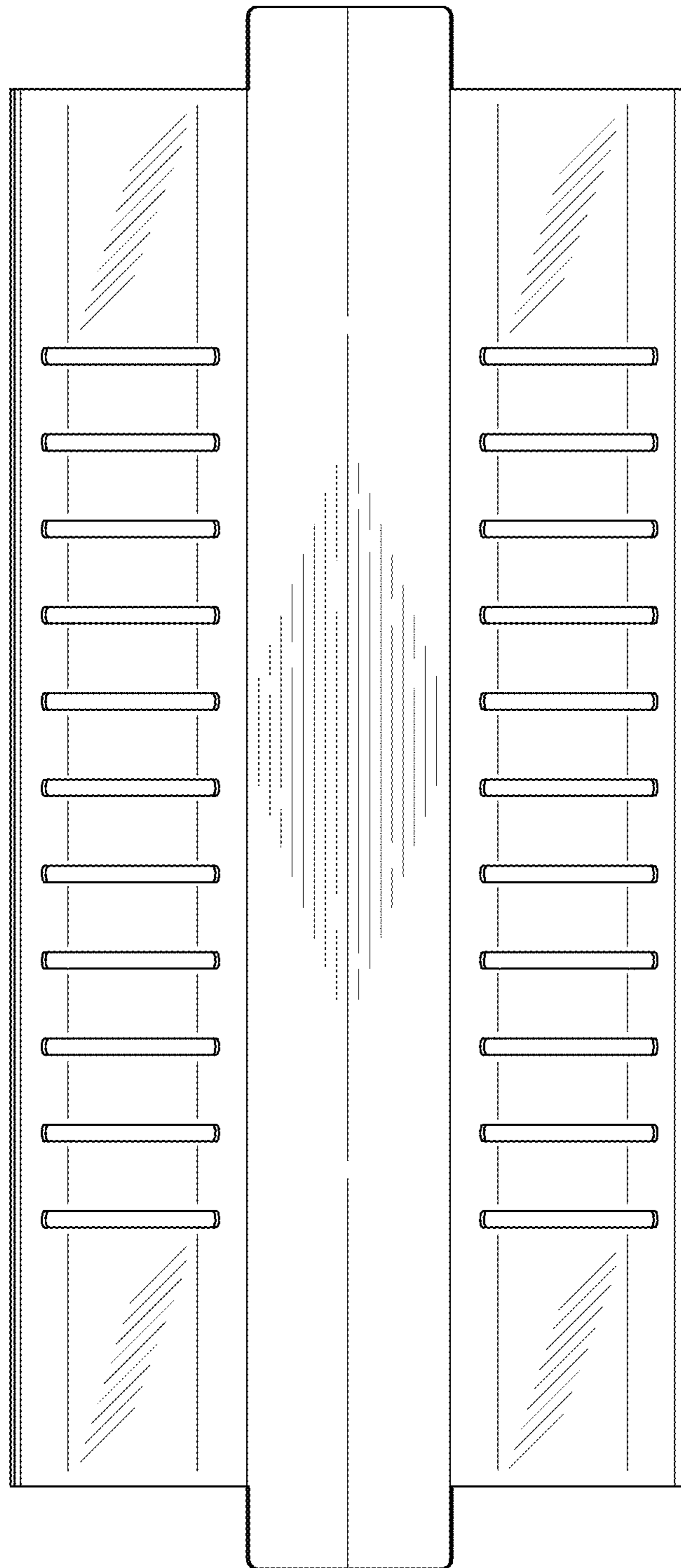


Fig. 7