



US00D950311S

(12) **United States Design Patent** (10) **Patent No.:** **US D950,311 S**
Gozney (45) **Date of Patent:** **** May 3, 2022**

(54) **OVEN MOUTH**
(71) Applicant: **Gozney Group Ltd.**, Christchurch (GB)
(72) Inventor: **Thomas Robert Gozney**, Christchurch (GB)
(**) Term: **15 Years**
(21) Appl. No.: **29/686,640**
(22) Filed: **Apr. 5, 2019**
(51) **LOC (13) Cl.** **07-02**
(52) **U.S. Cl.**
USPC **D7/405**; D7/332
(58) **Field of Classification Search**
USPC D7/332-339, 348, 349, 402, 405, 350.1, D7/350.3, 350.4, 351, 387
CPC A21B 1/00; A21B 2/00; A21B 3/00; A21B 5/00; A47J 36/26; A47J 36/28; A47J 36/30; A47J 36/32; A47J 37/00; A47J 37/06; A47J 37/07; A47J 37/0623; A47J 37/0658; F24B 1/00; F24B 3/00; F24B 5/00; F24B 9/00; F24B 13/00; F24B 15/00; F24B 1/18; F24B 1/182; F24C 1/00; F24C 3/00; F24C 5/00; F24C 7/00; F24C 9/00; F24C 11/00; F24C 13/00; F24C 14/00; F24C 15/00
See application file for complete search history.

D880,217 S * 4/2020 Tseng F24C 7/085 D7/348
D897,142 S * 9/2020 Huang D7/339
D931,029 S * 9/2021 Gozney A47J 37/0658 D7/348
2007/0221191 A1* 9/2007 O'Brien A47J 37/0713 126/25 R
2015/0047512 A1* 2/2015 Marra A47J 37/0713 99/339
2016/0334112 A1* 11/2016 Wiseman F24C 7/085
2020/0345176 A1* 11/2020 Bert A23L 5/15
(Continued)

OTHER PUBLICATIONS

Reg. No. 5002191, Mar. 29, 2016—UK Intellectual Property Office
Publication Date—Apr. 18, 2016 Owner—Gozney Group DesignView,
available at www.tmdn.org/tmdsview-web/welcome (Year: 2016).*
(Continued)

Primary Examiner — Mary Ann Calabrese
Assistant Examiner — Natalya M Rapundalo
(74) *Attorney, Agent, or Firm* — Donn K. Harms

(57) **CLAIM**

The ornamental design for an oven mouth, as shown and described.

DESCRIPTION

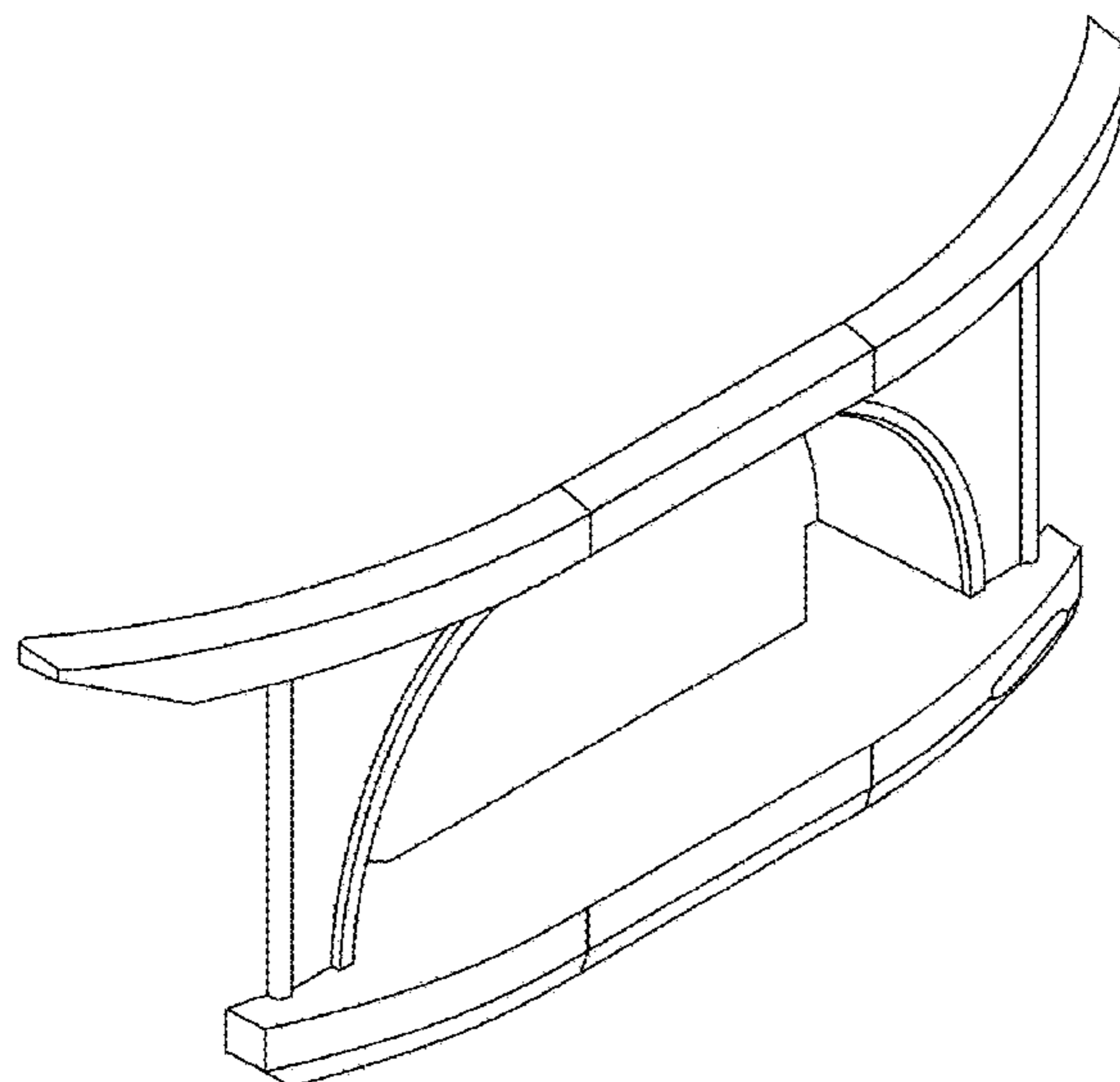
FIG. 1 is a top, front perspective view of an oven mouth showing my new design;
FIG. 2 is a perspective view of the oven mouth of FIG. 1;
FIG. 3 is a front view of the oven mouth of FIG. 1.
FIG. 4 is a top view thereof; and
FIG. 5 is a bottom view thereof.
FIG. 6 is a right side view thereof; and,
FIG. 7 is a left side view thereof.
The broken lines shown in FIGS. 2, 3, 4, and 6-7 depict the environment of the oven mouth and form no part of the claimed design.

1 Claim, 5 Drawing Sheets

(56) **References Cited**

U.S. PATENT DOCUMENTS

D367,203 S * 2/1996 Sprouls 126/19 R
D483,603 S * 12/2003 Minidis D7/348
D577,947 S * 10/2008 Wimmer D7/350.1
D693,166 S * 11/2013 Measom A47J 37/0713 D7/350.1
D693,174 S * 11/2013 Measom A47J 37/0713 D7/402
D849,466 S * 5/2019 Formisano D7/348
D849,908 S * 5/2019 Wu D23/343
D862,970 S * 10/2019 Moretti D7/339



(56)

References Cited

U.S. PATENT DOCUMENTS

2021/0153508 A1* 5/2021 Gozney A47J 37/0658

OTHER PUBLICATIONS

Reg. No. 5002192, Mar. 29, 2016—UK Intellectual Property Office Publication Date—Apr. 18, 2016 Owner—Gozney Group DesignView, available at www.tmdn.org/tmdsview-web/welcome (Year: 2016).*

Reg. No. 6032725, Apr. 7, 2018—UK Intellectual Property Office Publication Date—Apr. 7, 2018 Owner—Gozney Group DesignView, available at www.tmdn.org/tmdsview-web/welcome (Year: 2018).*

Reg. No. 6032724, Apr. 7, 2018—UK Intellectual Property Office Publication Date—Apr. 7, 2018 Owner—Gozney Group DesignView, available at www.tmdn.org/tmdsview-web/welcome (Year: 2018).*

Reg. No. 6032722, Apr. 7, 2018—UK Intellectual Property Office Publication Date—Apr. 7, 2018 Owner—Gozney Group DesignView, available at www.tmdn.org/tmdsview-web/welcome (Year: 2018).*

Reg. No. 6032720, Apr. 7, 2018—UK Intellectual Property Office Publication Date—Apr. 7, 2018 Owner—Gozney Group DesignView, available at www.tmdn.org/tmdsview-web/welcome (Year: 2018).*

Reg. No. 6032718, Apr. 7, 2018—UK Intellectual Property Office Publication Date—Apr. 7, 2018 Owner—Gozney Group DesignView, available at www.tmdn.org/tmdsview-web/welcome (Year: 2018).*

Reg. No. 006367553-0001, Apr. 4, 2019—European Union Intellectual Property Office Publication Date—Apr. 17, 2019 Owner—Gozney Group DesignView, available at www.tmdn.org/tmdsview-web/welcome (Year: 2019).*

Reg. No. 006367553-0002, Apr. 4, 2019—European Union Intellectual Property Office Publication Date—Apr. 17, 2019 Owner—Gozney Group DesignView, available at www.tmdn.org/tmdsview-web/welcome (Year: 2019).*

Reg. No. 006367553-0003, Apr. 4, 2019—European Union Intellectual Property Office Publication Date—Apr. 17, 2019 Owner—Gozney Group DesignView, available at www.tmdn.org/tmdsview-web/welcome (Year: 2019).*

Reg. No. 006367553-0008, Apr. 4, 2019—European Union Intellectual Property Office Publication Date—Apr. 17, 2019 Owner—Gozney Group DesignView, available at www.tmdn.org/tmdsview-web/welcome (Year: 2019).*

Reg. No. 006367553-0009, Apr. 4, 2019—European Union Intellectual Property Office Publication Date—Apr. 17, 2019 Owner—Gozney Group DesignView, available at www.tmdn.org/tmdsview-web/welcome (Year: 2019).*

Primavera Outdoor Pizza Oven, Forno Bravo, [online], [site visited Nov. 10, 2020], Available from internet URL: <https://www.fornobravo.com/product-series/primavera-series-wood-ovens/> (Year: 2020).*

Elite Napoli, Gozney, [online], [site visited Nov. 12, 2020], Available from internet URL: <https://us.gozney.com/products/elite-napoli> (Year: 2020).*

Master, Gozney, [online], [site visited Nov. 12, 2020], Available from internet URL: <https://us.gozney.com/products/commercial-master> (Year: 2020).*

Gozney Napoli 1250 Pizza Oven, Euro Pizza Ovens, [online], [site visited Nov. 6, 2020], Available from internet URL: <https://www.europizzaovens.co.uk/shop/product-category/sample-product/gozney-napoli-1250-pizza-oven/> (Year: 2020).*

* cited by examiner

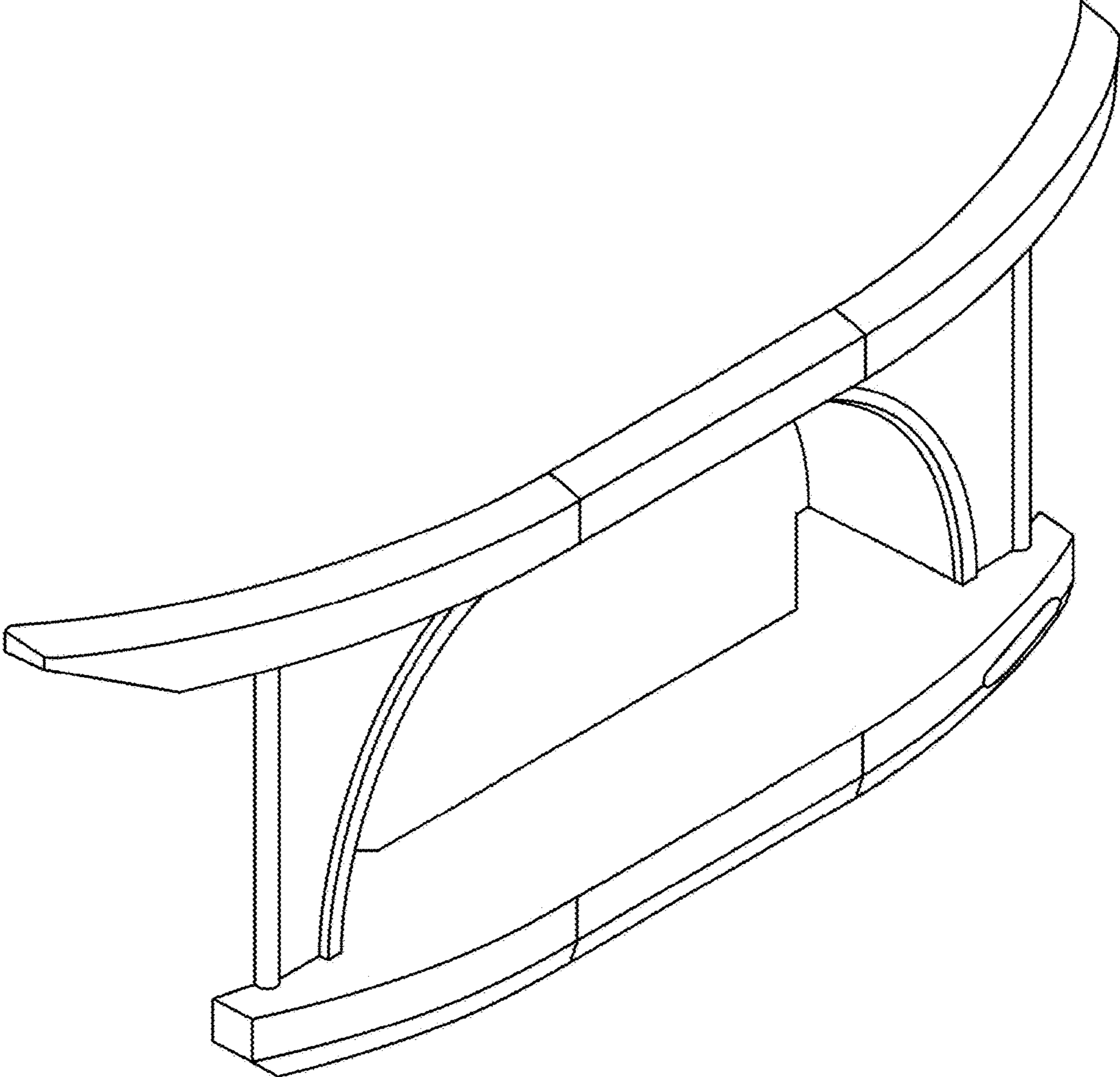


FIG. 1

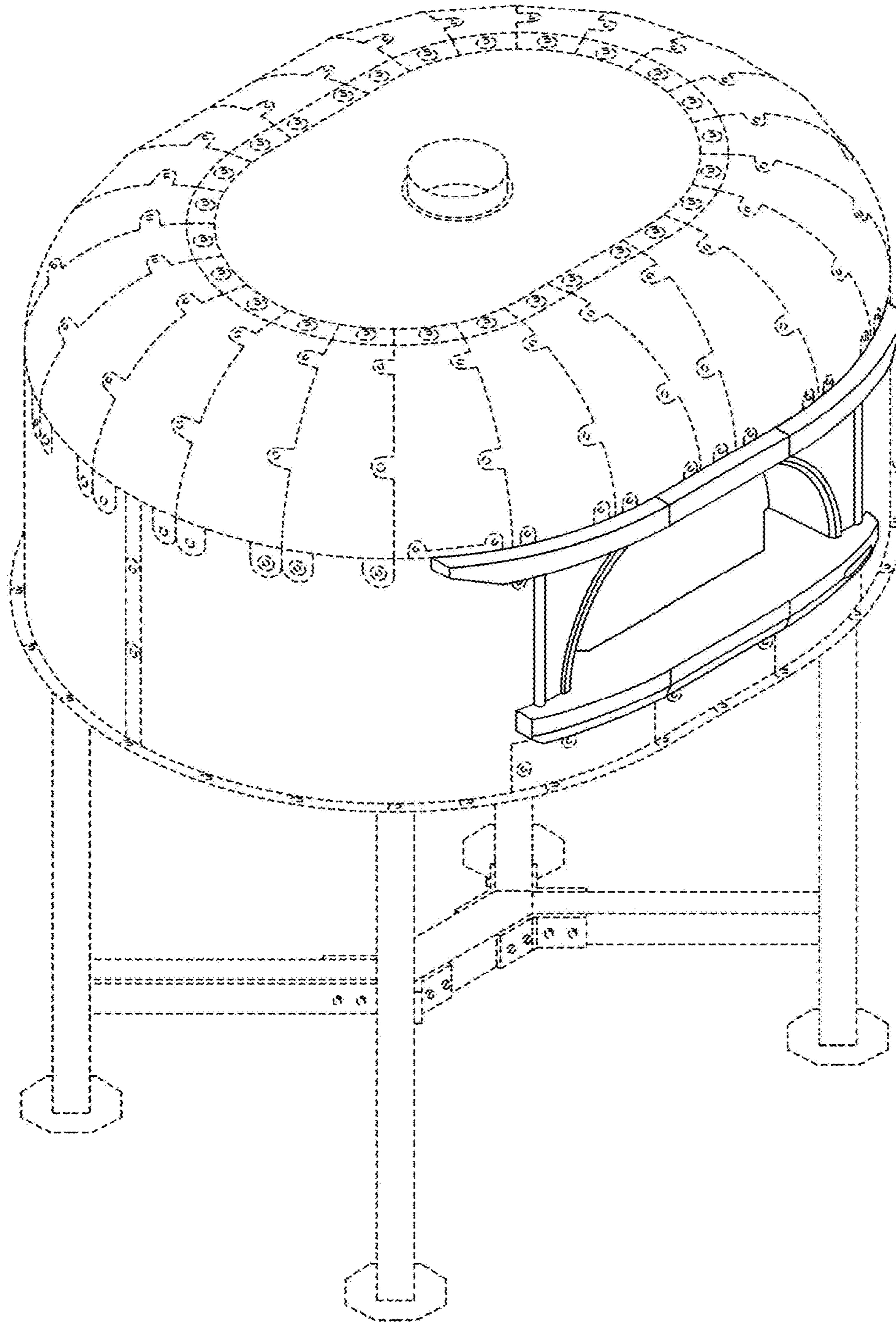


FIG. 2

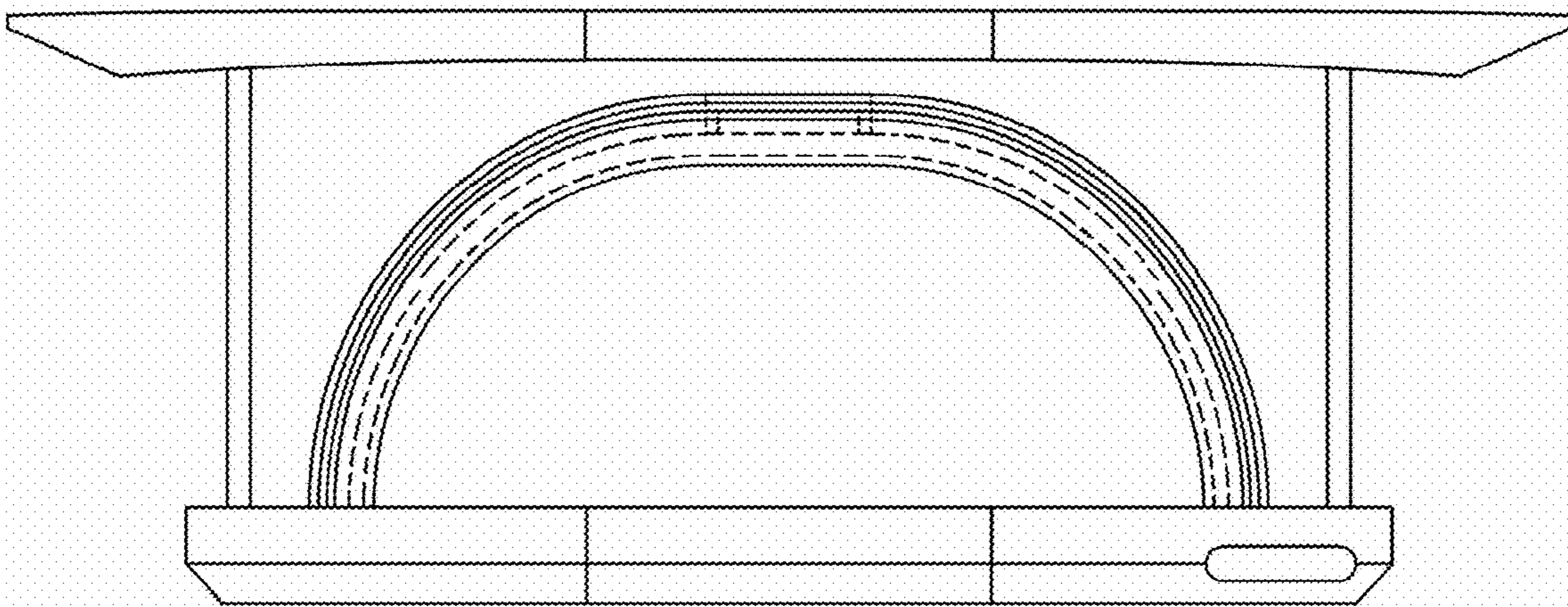


FIG. 3

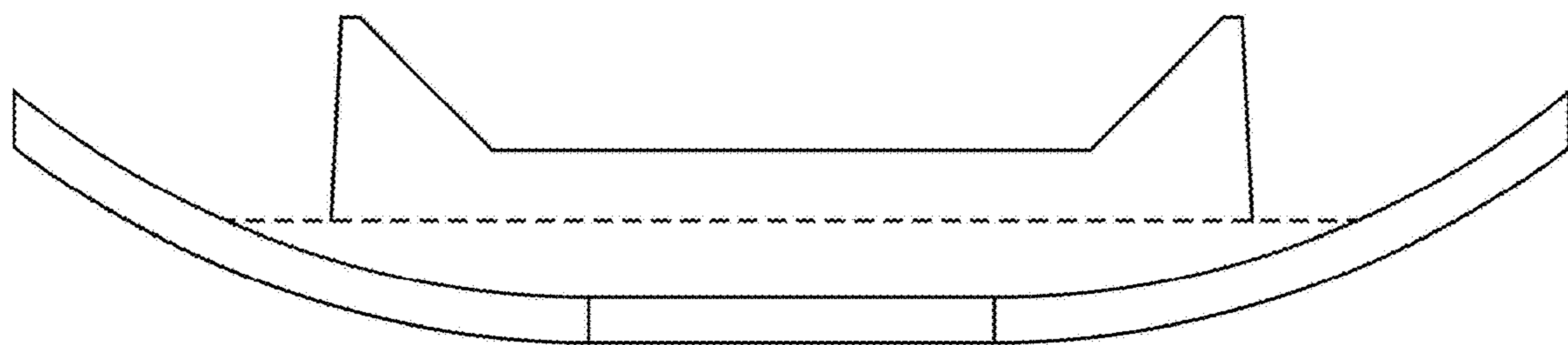


FIG. 4

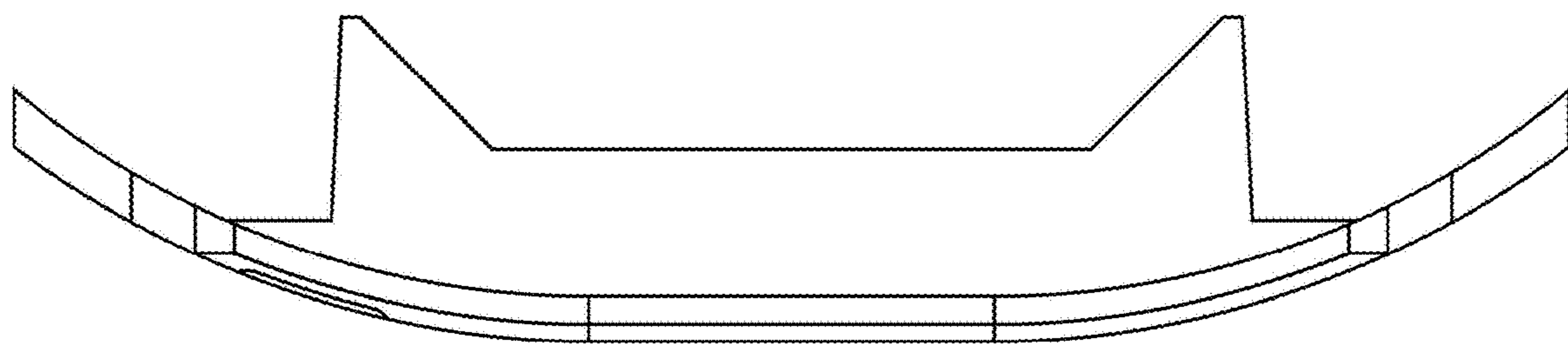


FIG. 5

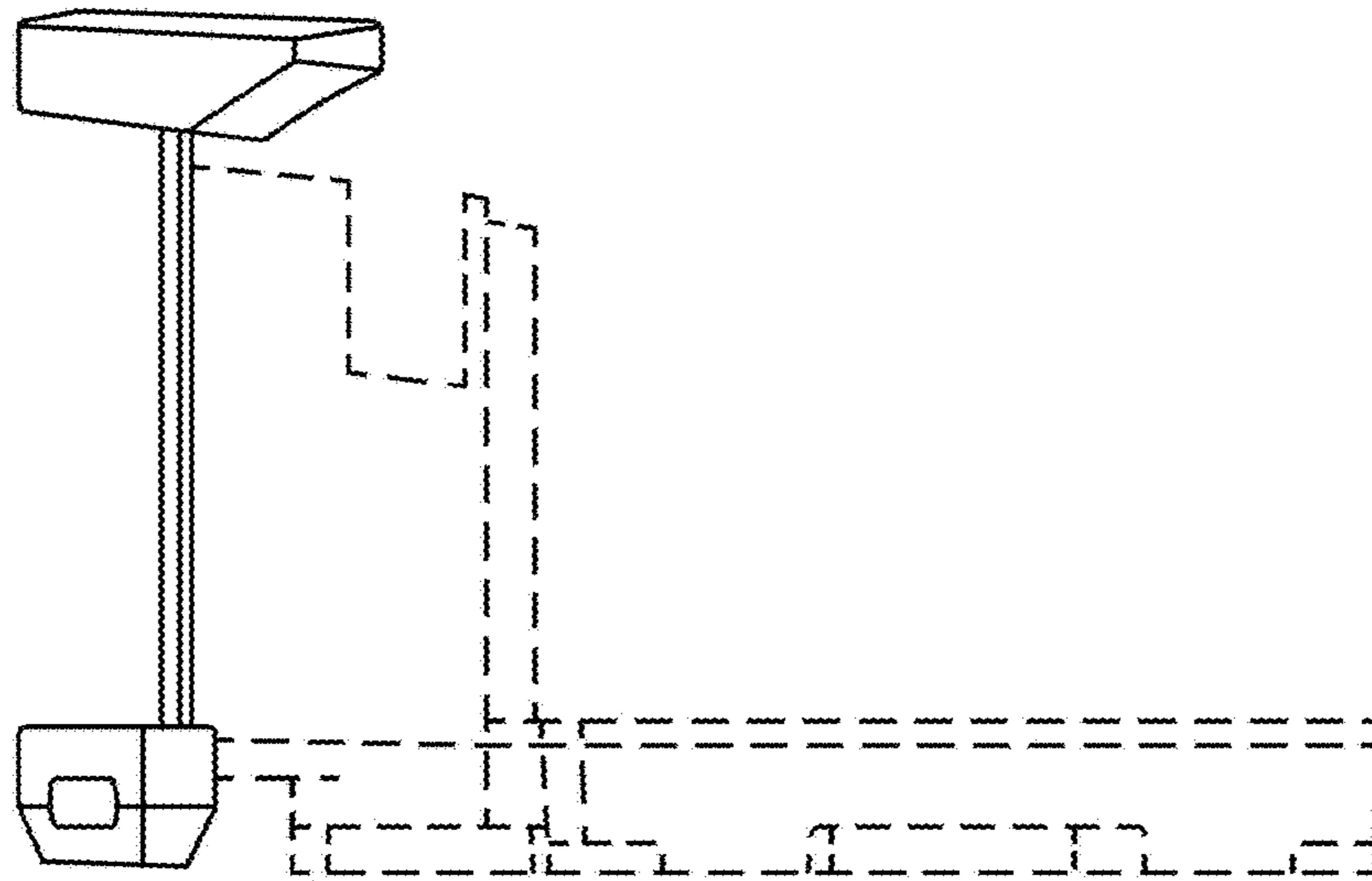


FIG. 6

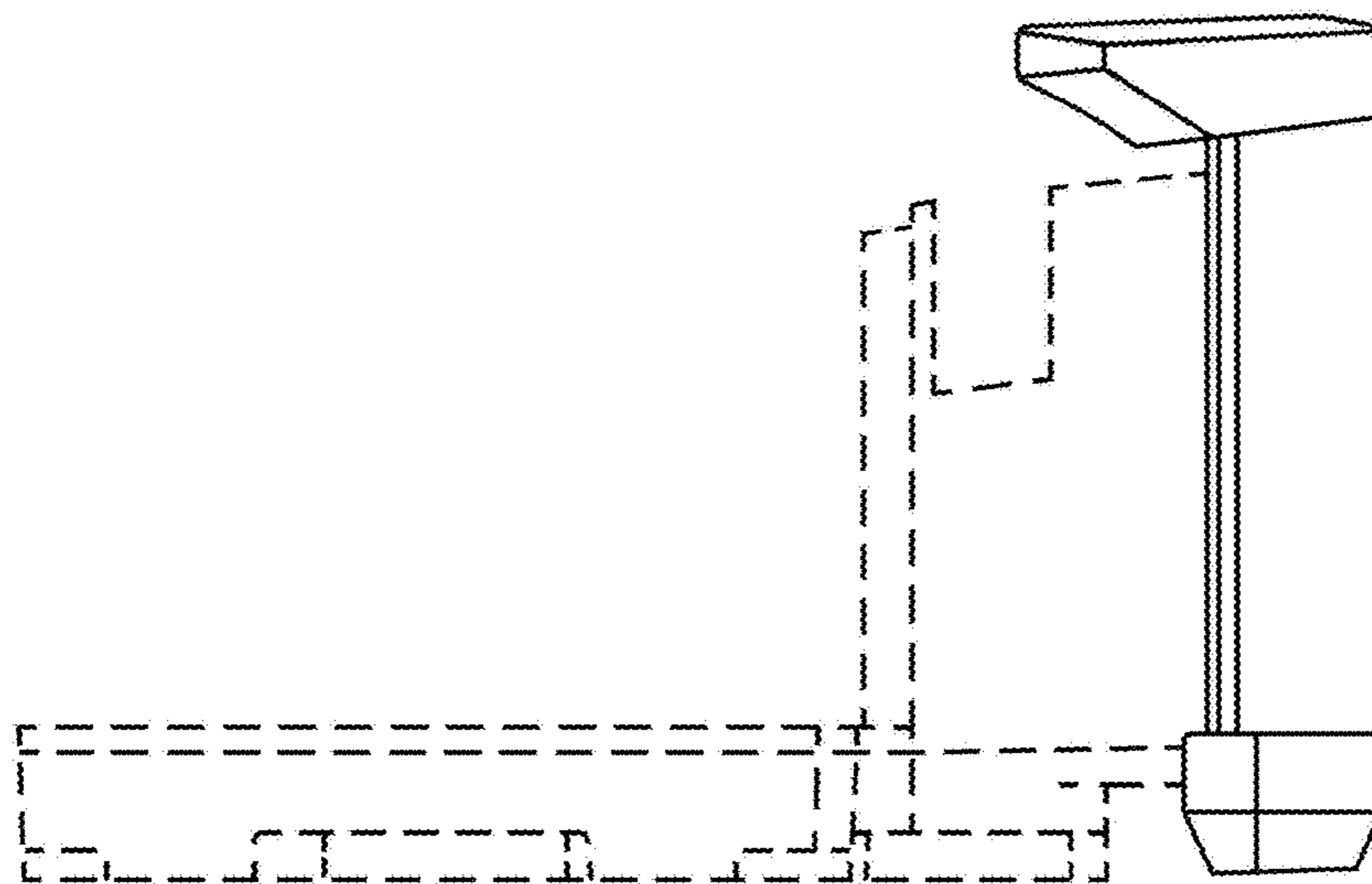


FIG. 7