



US00D950310S

(12) **United States Design Patent** (10) **Patent No.:** **US D950,310 S**  
**Beadle et al.** (45) **Date of Patent:** **\*\* May 3, 2022**

(54) **BOTTLE POURER**

(71) Applicant: **POURA LTD.**, Welwyn Garden (GB)

(72) Inventors: **Simone Beadle**, Ipswich (GB);  
**Jonathan Beadle**, Ipswich (GB)

(73) Assignee: **POURA LTD.**, Welwyn Garden (GB)

(\*\*) Term: **15 Years**

(21) Appl. No.: **29/739,002**

(22) Filed: **Jun. 22, 2020**

(30) **Foreign Application Priority Data**

Dec. 23, 2019 (EM) ..... 007449277-0002

(51) **LOC (13) Cl.** ..... **07-01**

(52) **U.S. Cl.**

USPC ..... **D7/398**

(58) **Field of Classification Search**

USPC ..... D7/300-322, 368, 387, 397-400, 412,  
D7/665, 666, 700; D3/29, 207, 208, 211;

(Continued)

(56) **References Cited**

**U.S. PATENT DOCUMENTS**

1,484,589 A 2/1924 Trubek  
2,439,985 A 4/1948 Perelson

(Continued)

**FOREIGN PATENT DOCUMENTS**

EM 4093581-0001 7/2017  
EM 4093581-0002 7/2017

(Continued)

**OTHER PUBLICATIONS**

TenTen Labs Wine Aerator Pourer, first available Sep. 1, 2015,  
Amazon, [online], [site visited Aug. 20, 2021], Available from

internet URL: <https://www.amazon.com/Wine-Aerator-Pourer-2-pack-Decanter/dp/B014RS9NQ2> (Year: 2015).\*

(Continued)

*Primary Examiner* — Mary Ann Calabrese

*Assistant Examiner* — Natalya M Rapundalo

(74) *Attorney, Agent, or Firm* — Fay Sharpe LLP

(57) **CLAIM**

The ornamental design for a bottle pourer, as shown and described.

**DESCRIPTION**

FIG. 1 is a perspective view of a first embodiment of a bottle pourer of the present invention with the bottle pourer shown in a closed condition;

FIG. 2 is a front view thereof;

FIG. 3 is a left side view thereof;

FIG. 4 is a right side view thereof;

FIG. 5 is a rear view thereof;

FIG. 6 is a top view thereof;

FIG. 7 is a bottom view thereof; and

FIG. 8 is a perspective view thereof with the bottle pourer of the first embodiment shown in an open condition;

FIG. 9 is a perspective view of a second embodiment of a bottle pourer of the present invention with the bottle pourer shown in the closed condition;

FIG. 10 is a front view thereof;

FIG. 11 is a left side view thereof;

FIG. 12 is a right side view thereof;

FIG. 13 is a rear view thereof;

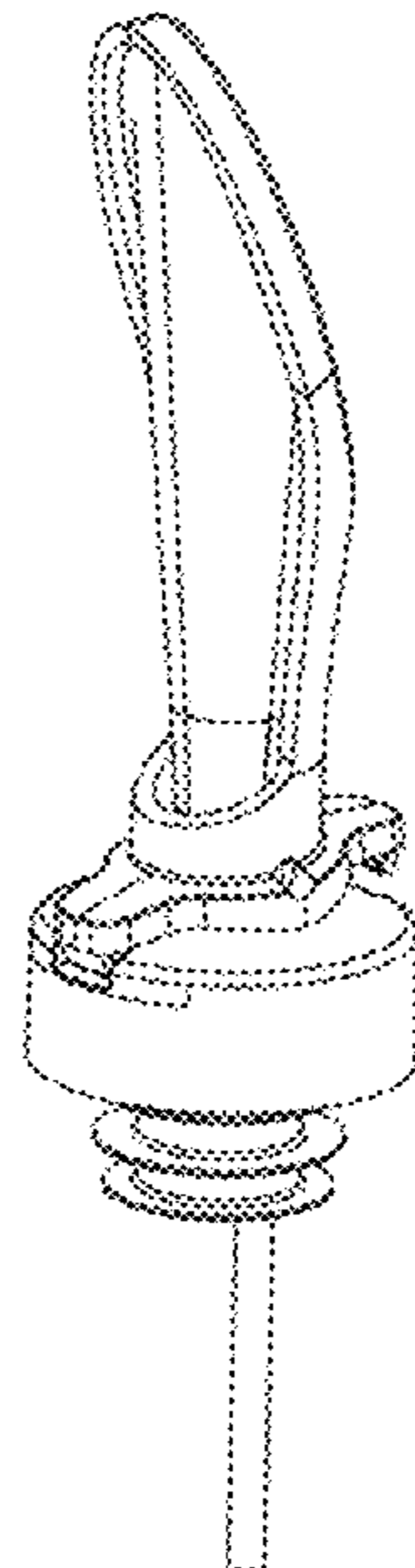
FIG. 14 is a top view thereof;

FIG. 15 is a bottom view thereof; and,

FIG. 16 is a perspective view thereof with the bottle pourer of the second embodiment shown in an open condition.

The broken lines shown in the drawings represent portions of the bottle pourer and form no part of the claimed design.

**1 Claim, 14 Drawing Sheets**



(58) **Field of Classification Search**

USPC ..... D6/541, 542, 545; D8/2, 14.1; D9/435, D9/440, 447, 448, 724; D11/70, 116; D20/10, 16, 21, 41  
 CPC .. A47J 31/00; A47J 31/36; A47J 31/44; A47J 31/4407; A47J 31/46; A47J 31/461; A47J 31/468; A47J 31/4485; A47J 31/4489; A47J 31/52; B67D 1/00; B67D 1/0003; B67D 1/0005; B67D 1/0006; B67D 1/0042; B67D 1/0057; B67D 1/0081; B67D 1/0872; B67D 2001/0088; B67D 2001/0093; B67D 2001/0094

See application file for complete search history.

(56) **References Cited**

U.S. PATENT DOCUMENTS

2,762,521 A 9/1956 Kipp  
 3,630,419 A 12/1971 Pierce  
 3,750,915 A 8/1973 Kearney  
 3,966,099 A 6/1976 Sanford, Jr. et al.  
 5,246,150 A 9/1993 Delia  
 5,961,008 A 10/1999 Peckels  
 6,230,944 B1 5/2001 Castellano  
 D465,387 S \* 11/2002 DuBow ..... B65D 47/06 D7/700  
 6,568,660 B1 \* 5/2003 Flanbaum ..... B65D 47/06 222/189.07  
 6,742,678 B1 6/2004 Krystopik, Jr.  
 D587,524 S \* 3/2009 Allen ..... B65D 47/06 D7/387  
 8,011,540 B1 9/2011 Peckels  
 8,251,352 B2 8/2012 Chiorazzi et al.  
 8,365,964 B2 2/2013 Federighi  
 8,528,771 B2 9/2013 Voss et al.  
 D701,764 S \* 4/2014 Brower ..... D9/440  
 D702,493 S \* 4/2014 Tang ..... D7/398  
 D720,959 S \* 1/2015 Mok ..... D7/398  
 8,944,297 B2 2/2015 Agassi et al.  
 D729,592 S \* 5/2015 Alavian ..... D7/665

D730,730 S \* 6/2015 Haley ..... D9/440  
 D745,395 S \* 12/2015 Peckels ..... G01F 13/006 D9/440  
 D747,200 S \* 1/2016 Chiorazzi ..... B65D 23/065 D9/440  
 10,160,560 B2 \* 12/2018 Schovain ..... B65B 31/041  
 D855,392 S \* 8/2019 Shim ..... B65D 47/32 D7/397  
 10,780,405 B2 \* 9/2020 Poul ..... B65D 25/48  
 2006/0081649 A1 \* 4/2006 Kerkhof ..... B65D 23/065 222/108  
 2008/0099514 A1 5/2008 Carter et al.  
 2012/0273451 A1 11/2012 Voss et al.  
 2013/0334246 A1 \* 12/2013 Houck ..... G01F 13/006 222/23  
 2015/0060499 A1 3/2015 Silvers et al.  
 2015/0068406 A1 \* 3/2015 Marsden ..... B01F 3/04744 99/323.1  
 2015/0251822 A1 9/2015 Slevin et al.  
 2016/0229604 A1 \* 8/2016 Carsello ..... B65D 47/32  
 2019/0270551 A1 \* 9/2019 Limbrey ..... B65D 47/06

FOREIGN PATENT DOCUMENTS

EP 2 181 932 A1 5/2010  
 GB 1910 25505 5/1911  
 JP 2004 331173 A 11/2004  
 WO WO 2011/053579 A1 5/2011  
 WO WO 2012/172534 A1 12/2012

OTHER PUBLICATIONS

Poura Wine Aerator Pourer, first available Nov. 3, 2020, Amazon, [online], [site visited Aug. 13, 2021], Available from internet URL: <https://www.amazon.com/Poura-Wine-Aerator-Pourer-Hygienic/dp/B08JM6R7T5> (Year: 2020).  
 Design No. 301096286.0000, Feb. 15, 2021—Korean Intellectual Property Office (KIPO) Publication Date—Feb. 18, 2021 Owner—Park Hee-yong WIPO, available at <https://www3.wipo.int/designdb/en/index.jsp> (Year: 2021).\*

\* cited by examiner

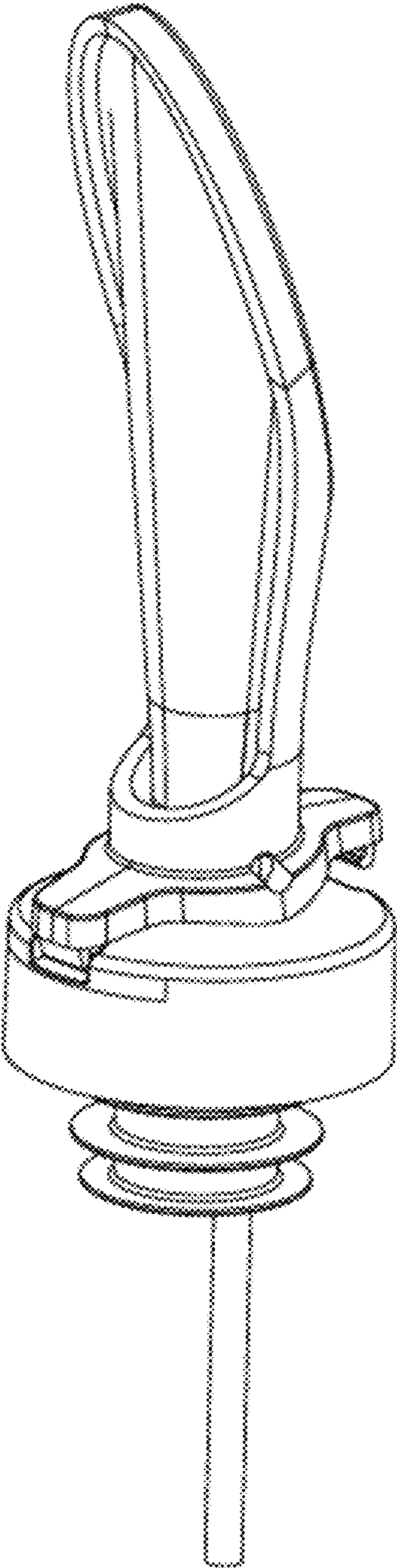


FIGURE 1

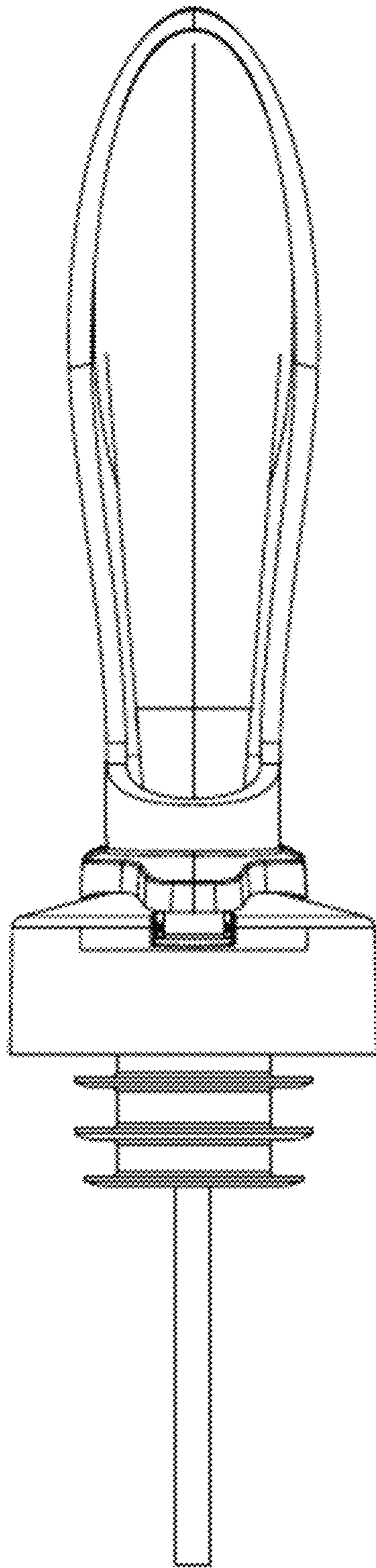


FIGURE 2

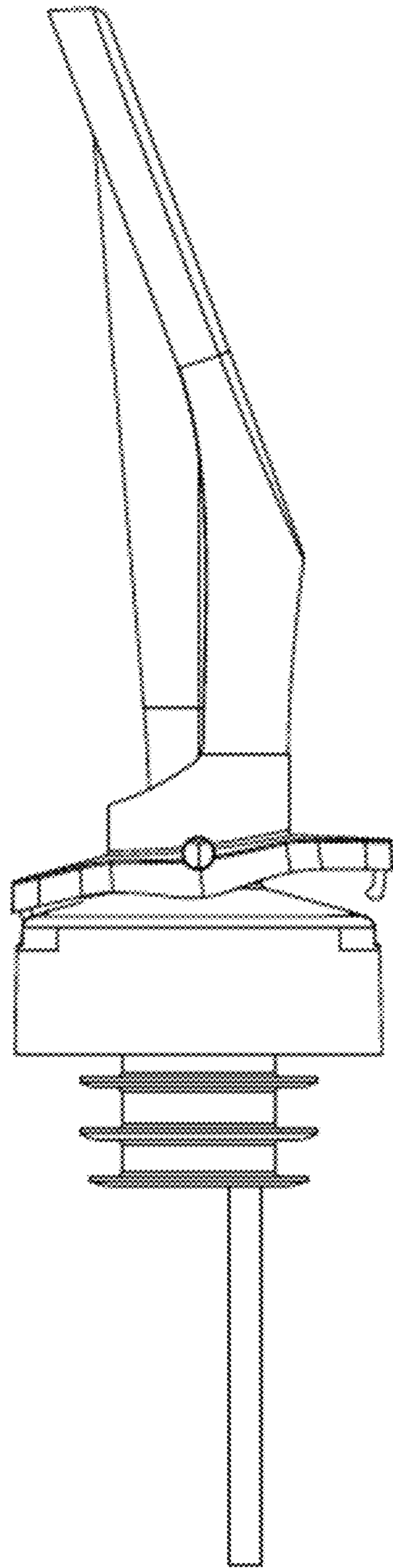


FIGURE 3

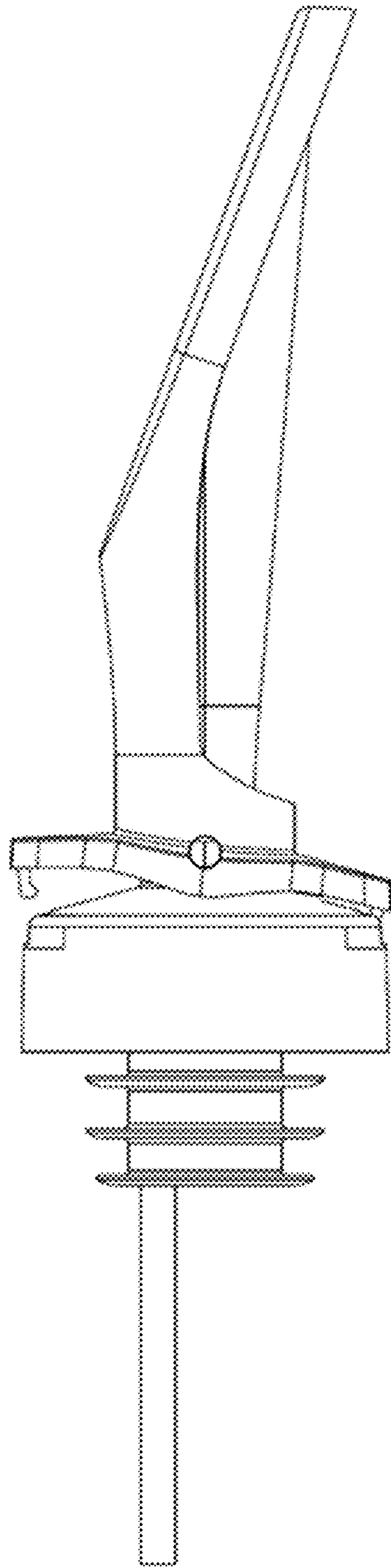


FIGURE 4

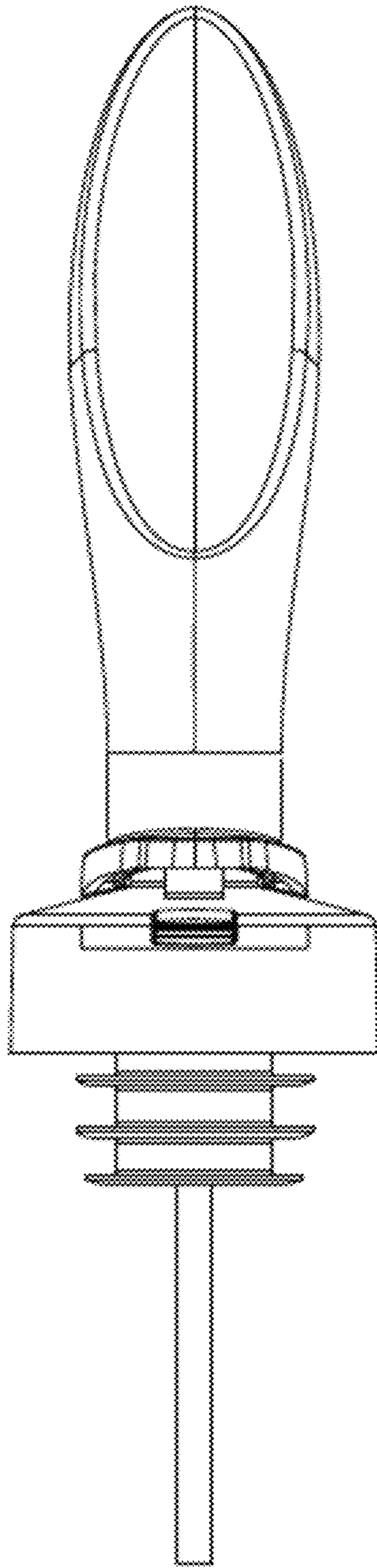


FIGURE 5

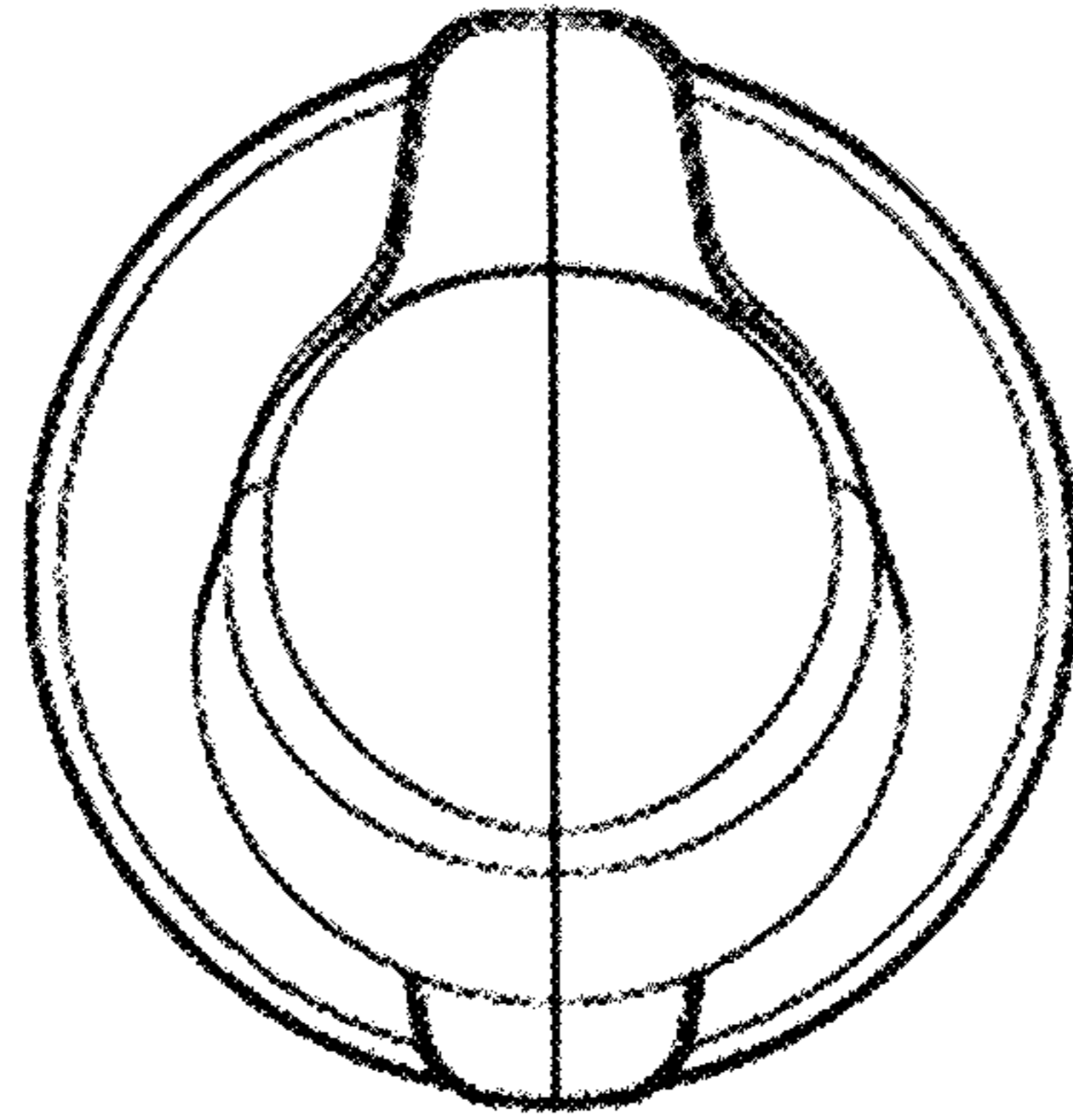


FIGURE 6

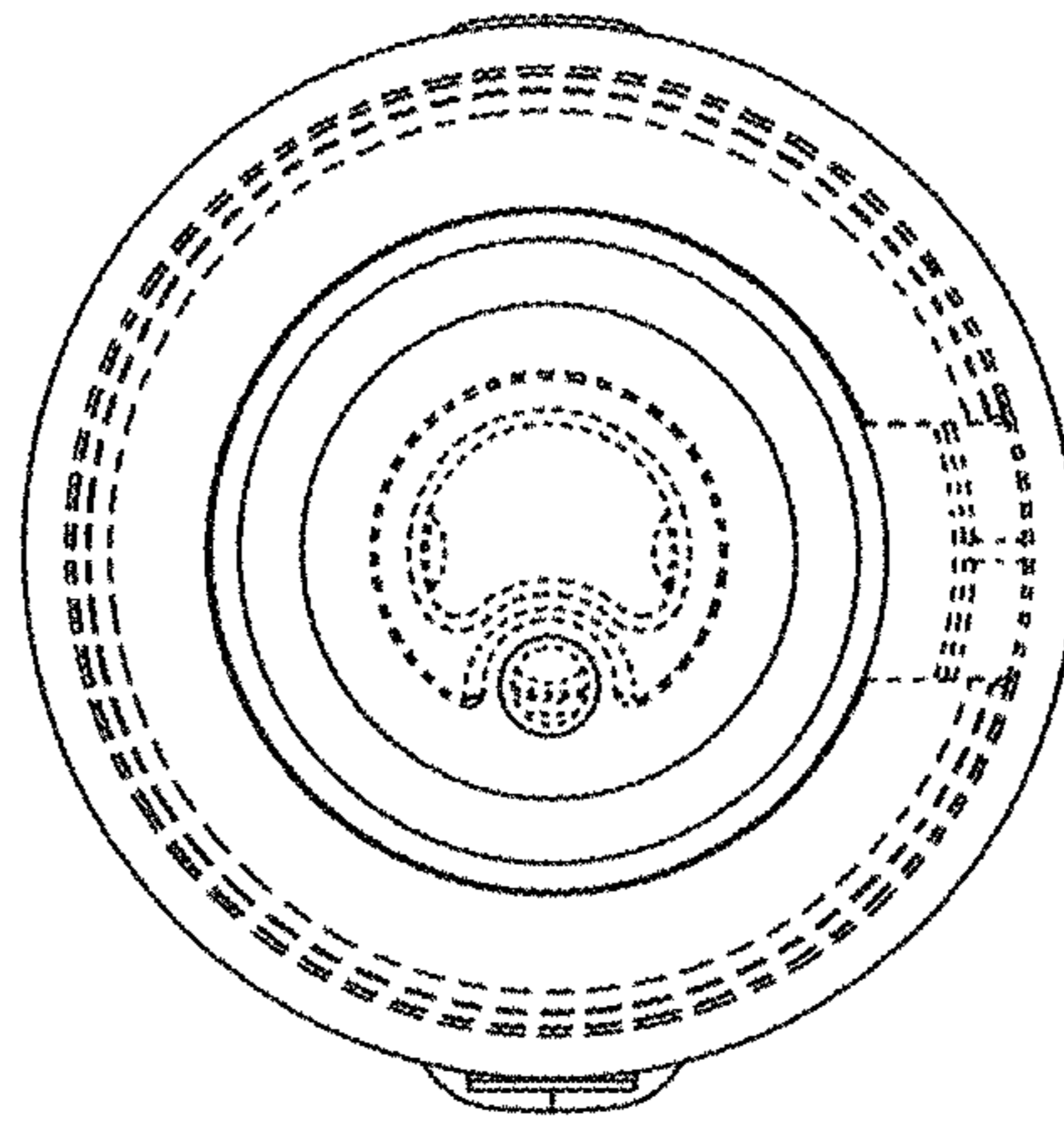


FIGURE 7



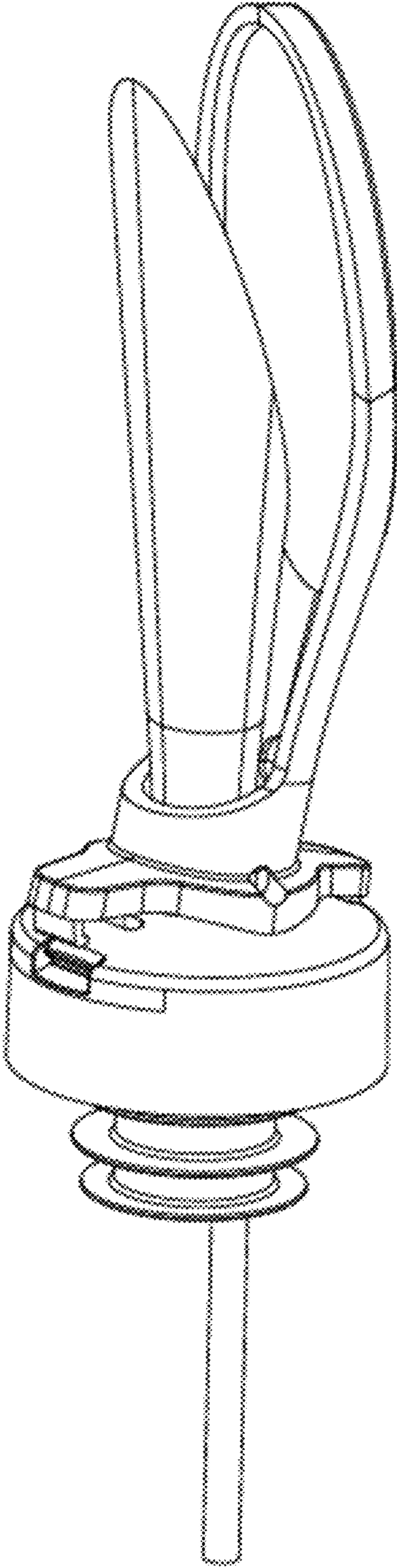


FIGURE 8

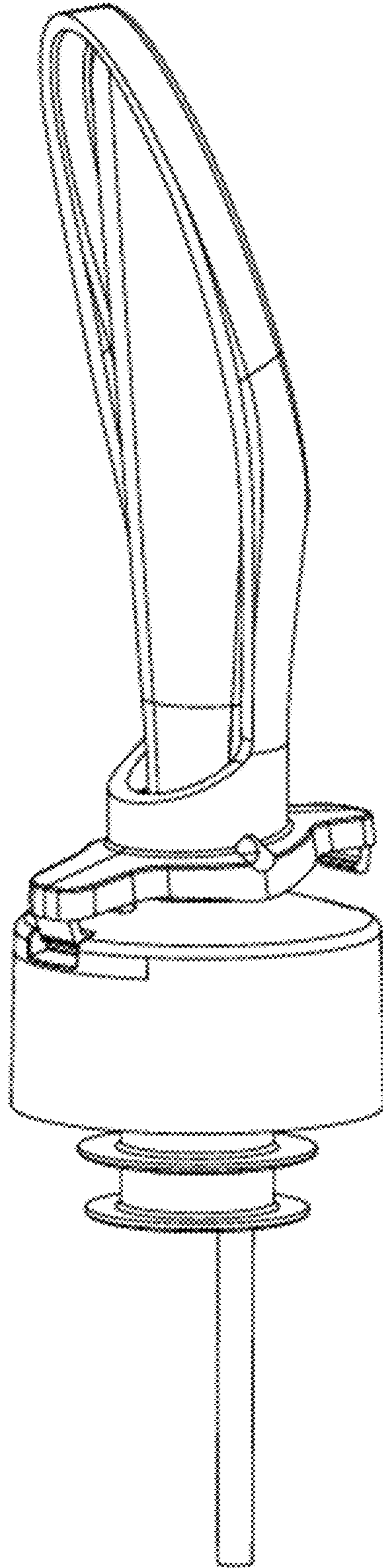


FIGURE 9

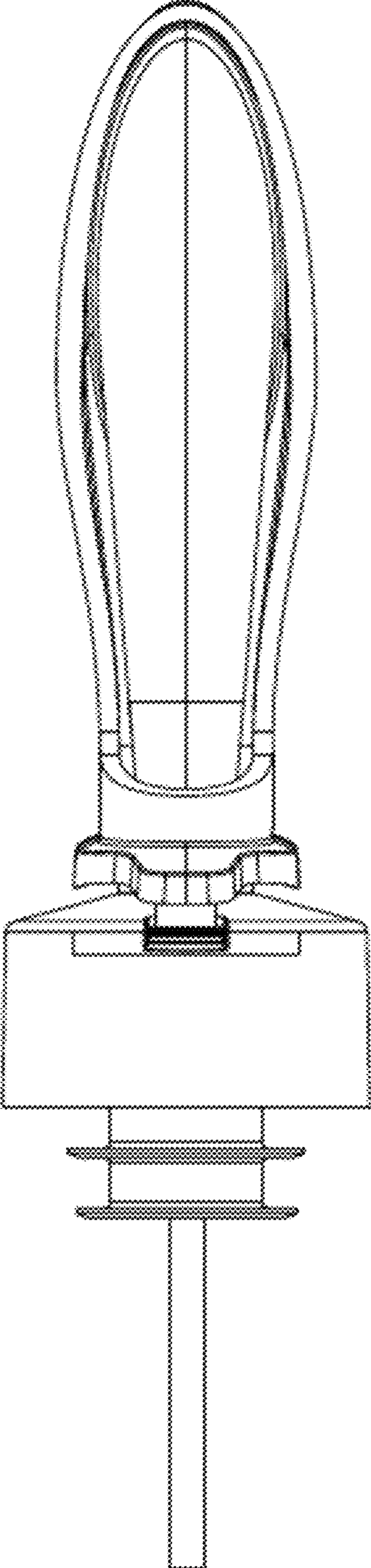


FIGURE 10

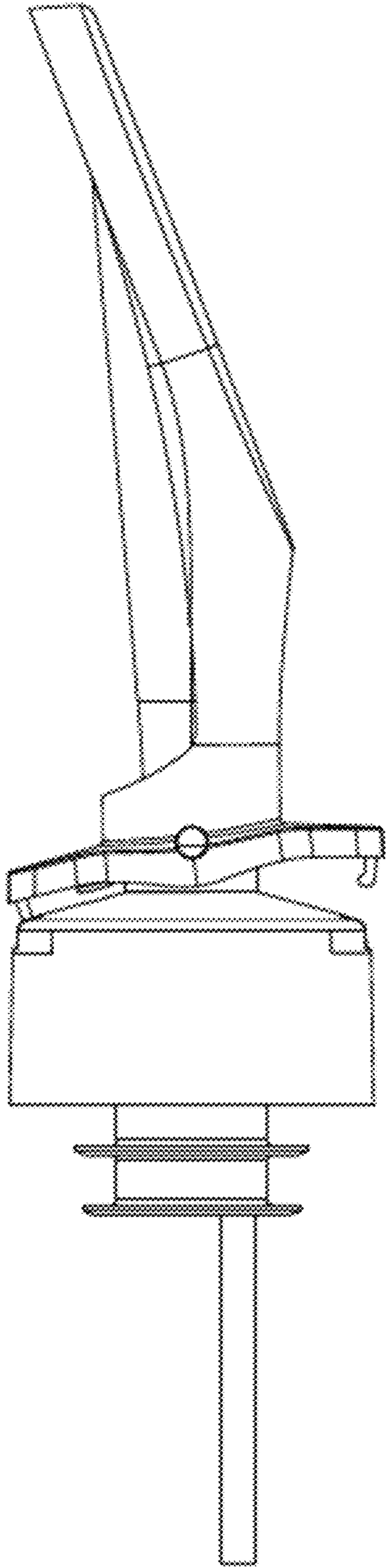


FIGURE 11

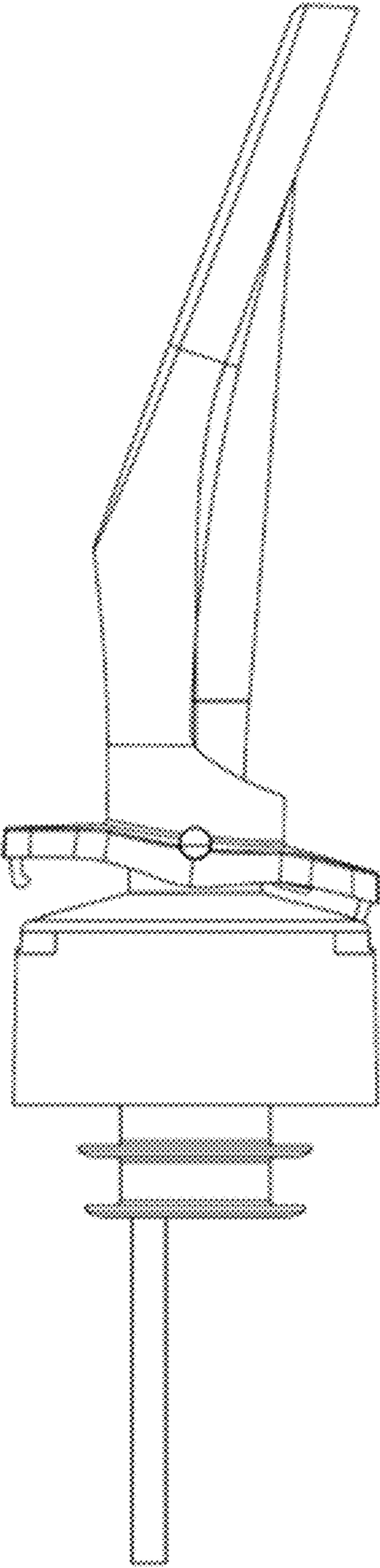


FIGURE 12

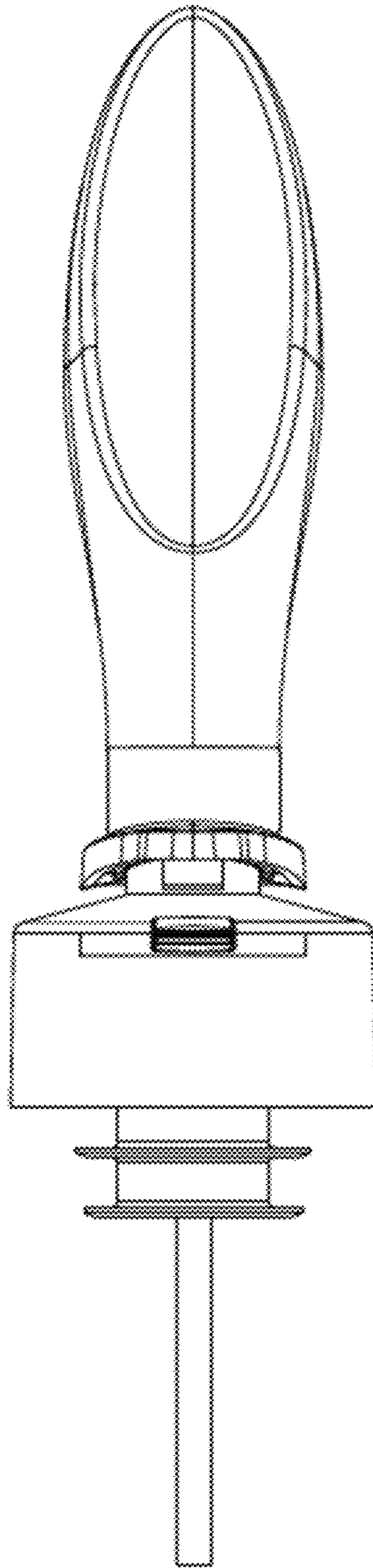


FIGURE 13

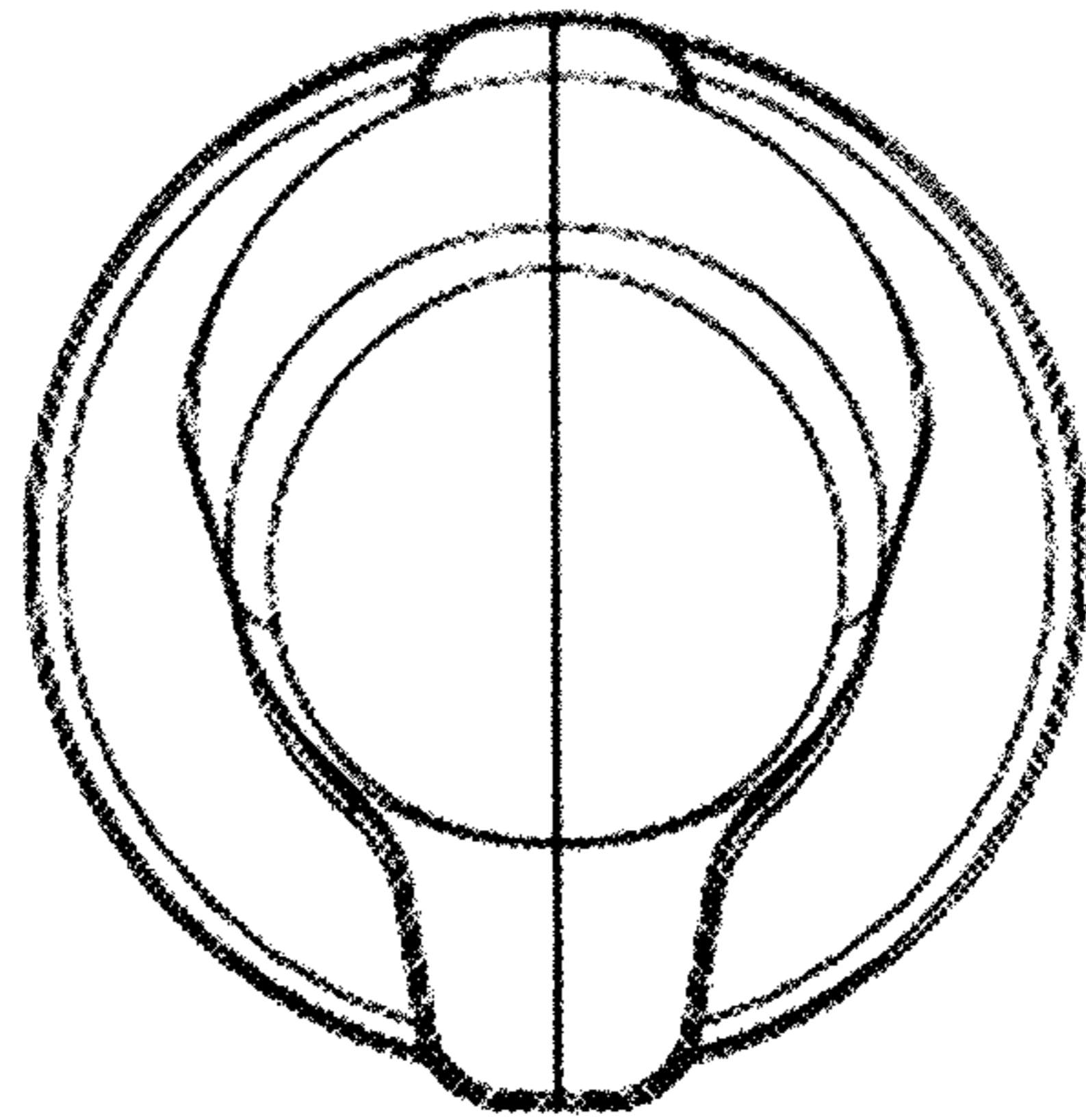


FIGURE 14

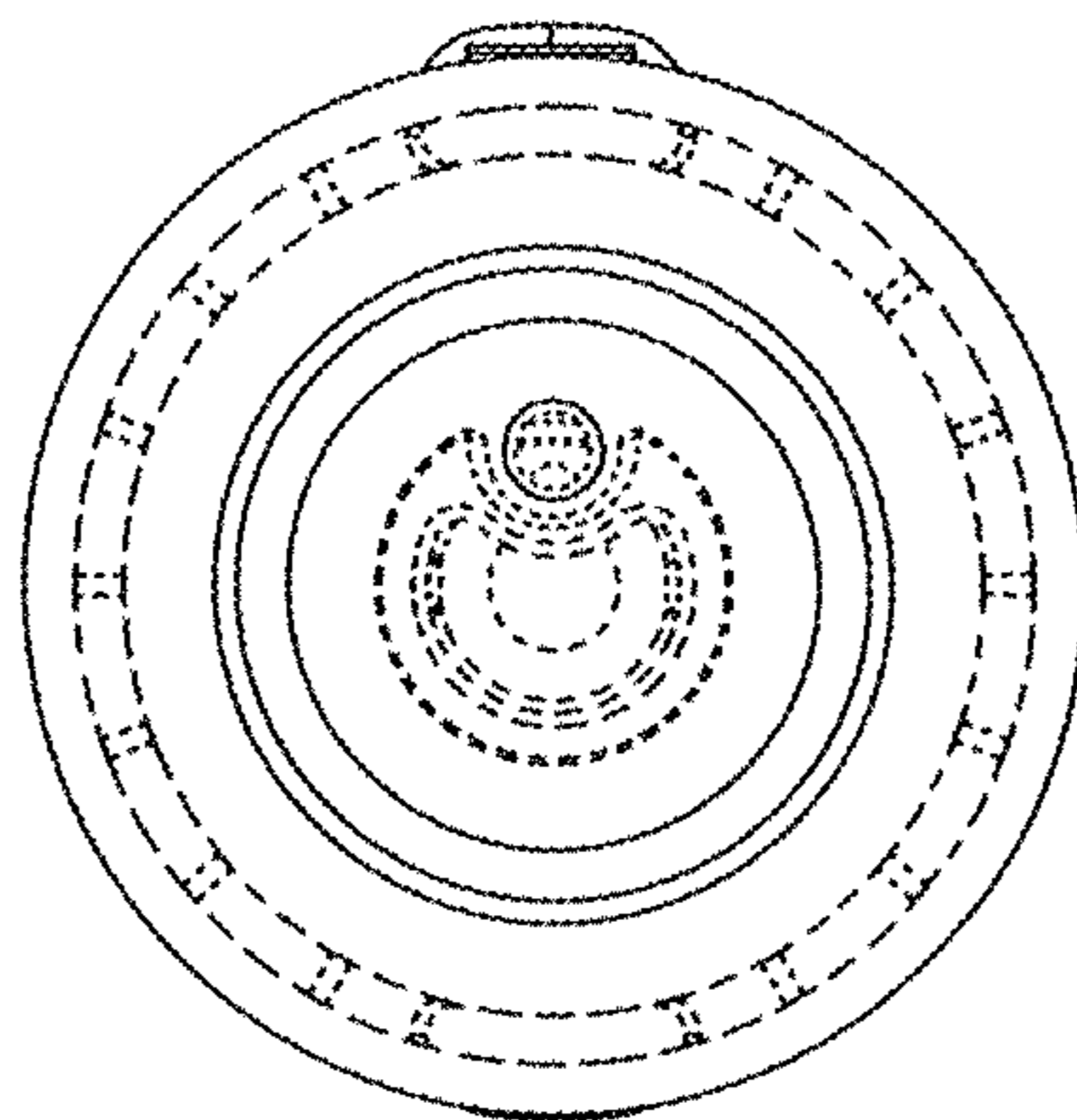


FIGURE 15

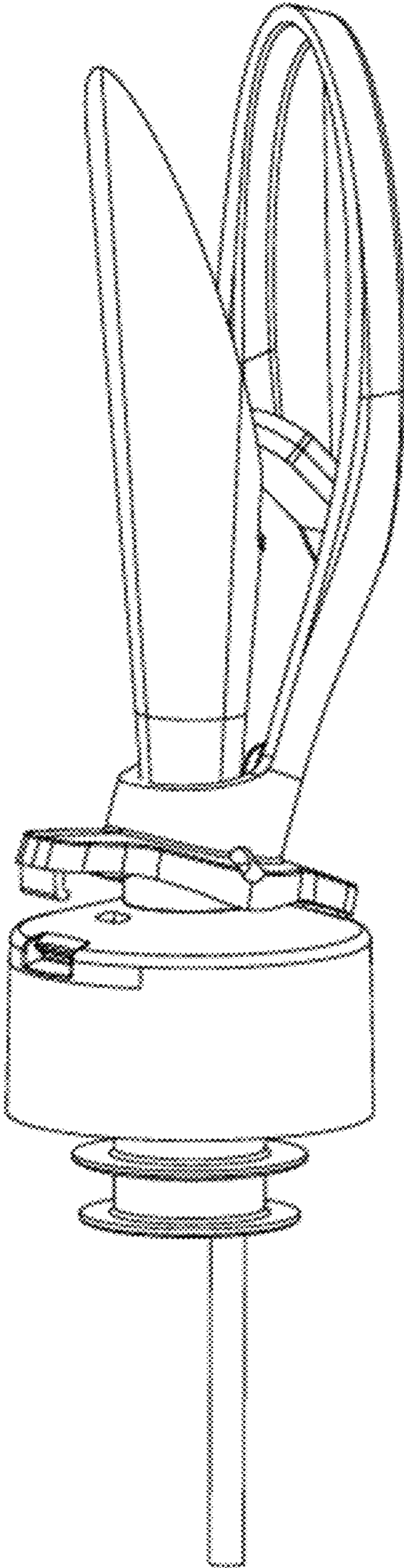


FIGURE 16