



US00D950308S

(12) **United States Design Patent** (10) **Patent No.:** **US D950,308 S**
Hu (45) **Date of Patent:** **** May 3, 2022**

(54) **DECANTER BASE**

(71) Applicant: **Shengteng Hu**, Greensboro, NC (US)

(72) Inventor: **Shengteng Hu**, Greensboro, NC (US)

(**) Term: **15 Years**

(21) Appl. No.: **29/757,363**

(22) Filed: **Nov. 5, 2020**

(51) **LOC (13) Cl.** **07-99**

(52) **U.S. Cl.**
USPC **D7/397; D7/396.6**

(58) **Field of Classification Search**
USPC D7/305, 312, 387, 397, 550.1, 554.1,
D7/554.3, 554.4, 584, 586, 600.1, 602,
D7/630, 396.1; D9/455, 544, 715, 719
CPC A47G 23/02; A47G 23/0241; A47G 23/06;
A47G 23/0608
See application file for complete search history.

(56) **References Cited**

U.S. PATENT DOCUMENTS

D737,104 S *	8/2015	Sobotka	D7/554.2
D824,263 S	7/2018	Hirschhorn		
D826,640 S	8/2018	Hirschhorn		
D851,454 S *	6/2019	Lefkowitz	D7/506
D874,872 S *	2/2020	Godinger	D7/397
D881,651 S	4/2020	Hirschhorn		
D908,434 S *	1/2021	Murali	D7/552.1
D910,379 S *	2/2021	Deutsch	D7/551.1
2018/0261132 A1 *	9/2018	Stoewahse	G02B 6/0001

OTHER PUBLICATIONS

Verolux Whisket Set | posted at Amazon.com, posted on Jun. 21, 2020, © 1996-2021 Amazon.com, [online], [site visited Dec. 4,

2021]. Available from Internet, <URL: <https://www.amazon.com/dp/B08BKCPFWY/>> (Year: 2021).*

WEEBNG Whiskey Decanter Set, <https://www.amazon.com/dp/B07Z33XVSN>.

Whiskey Decanter Globe Set, <https://www.amazon.com/dp/B077Y2SJML>.

* cited by examiner

Primary Examiner — Andrew Kerr

(57) **CLAIM**

The ornamental design for a decanter base, as shown and described.

DESCRIPTION

FIG. 1 is a top-front-left perspective view of a decanter base showing my new design;

FIG. 2 is a bottom-rear-right perspective view thereof;

FIG. 3 is a front elevation view thereof;

FIG. 4 is a rear elevation view thereof;

FIG. 5 is a top plan view thereof;

FIG. 6 is a bottom plan view thereof;

FIG. 7 is a right elevation view thereof;

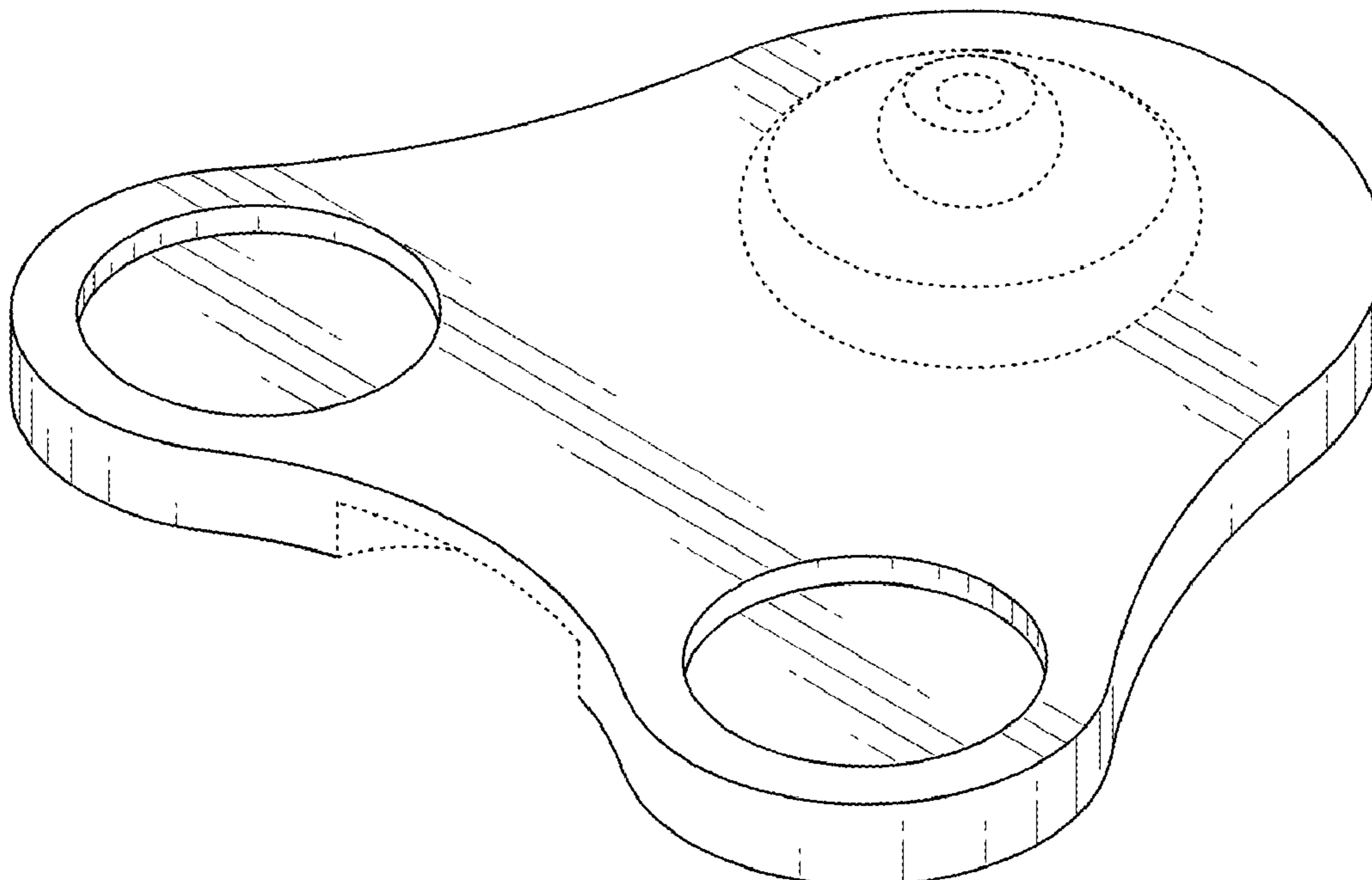
FIG. 8 is a left elevation view thereof;

FIG. 9 is a top-front-left perspective view thereof, showing in a condition of use; and,

FIG. 10 is a top-rear-right perspective view thereof, showing in a condition of use.

The broken lines showing of an arm connector in FIGS. 1, 3-5, and 7-10 and the broken lines showing of base handles in FIGS. 1-4 and 6-10 depict portions of the decanter base that form no part of the claimed design. The broken lines showing of a base arm and a decanter in FIG. 9-10 are included for the purpose of showing environmental structure and form no part of the claimed design.

1 Claim, 10 Drawing Sheets



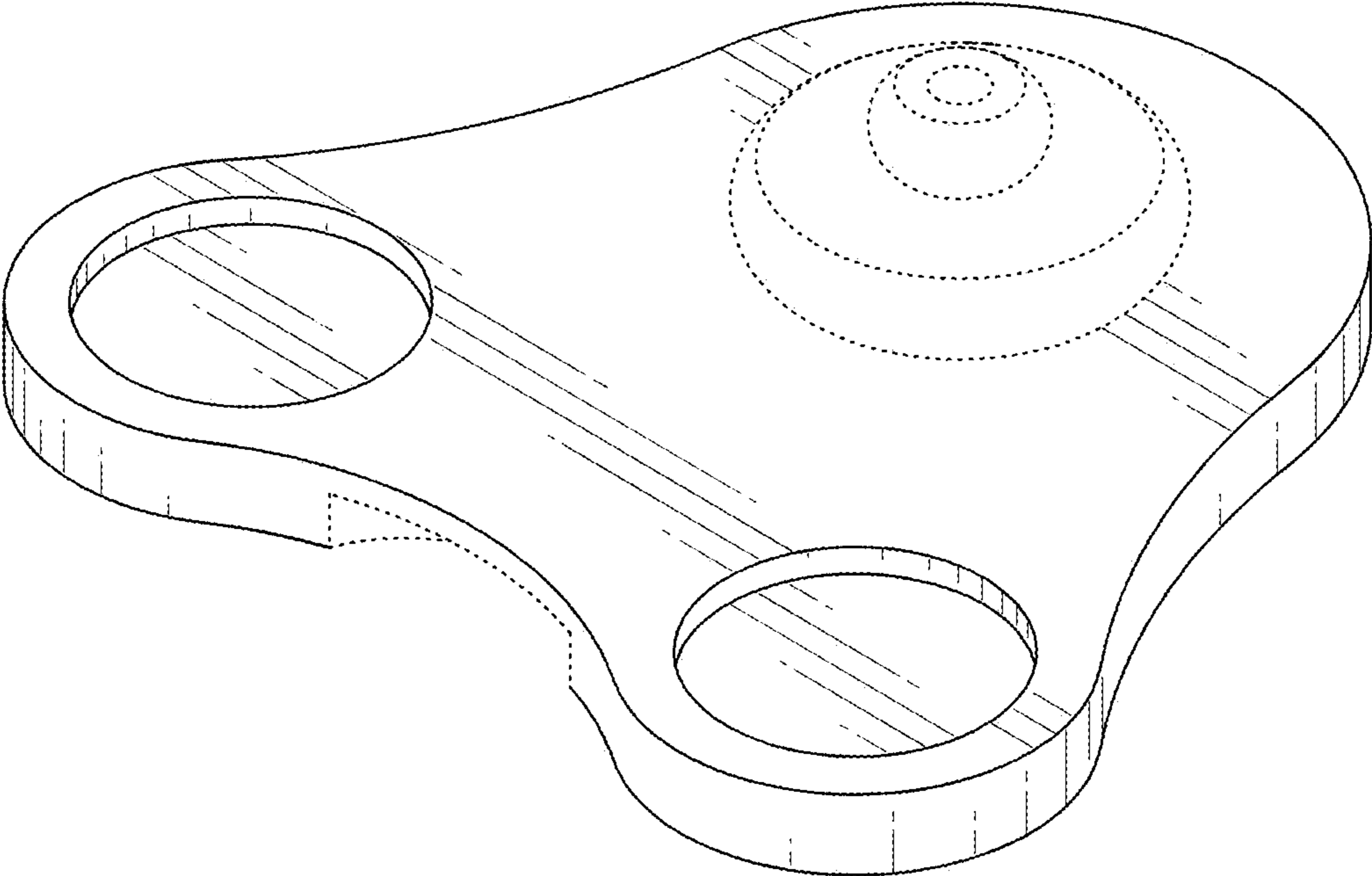


FIG. 1

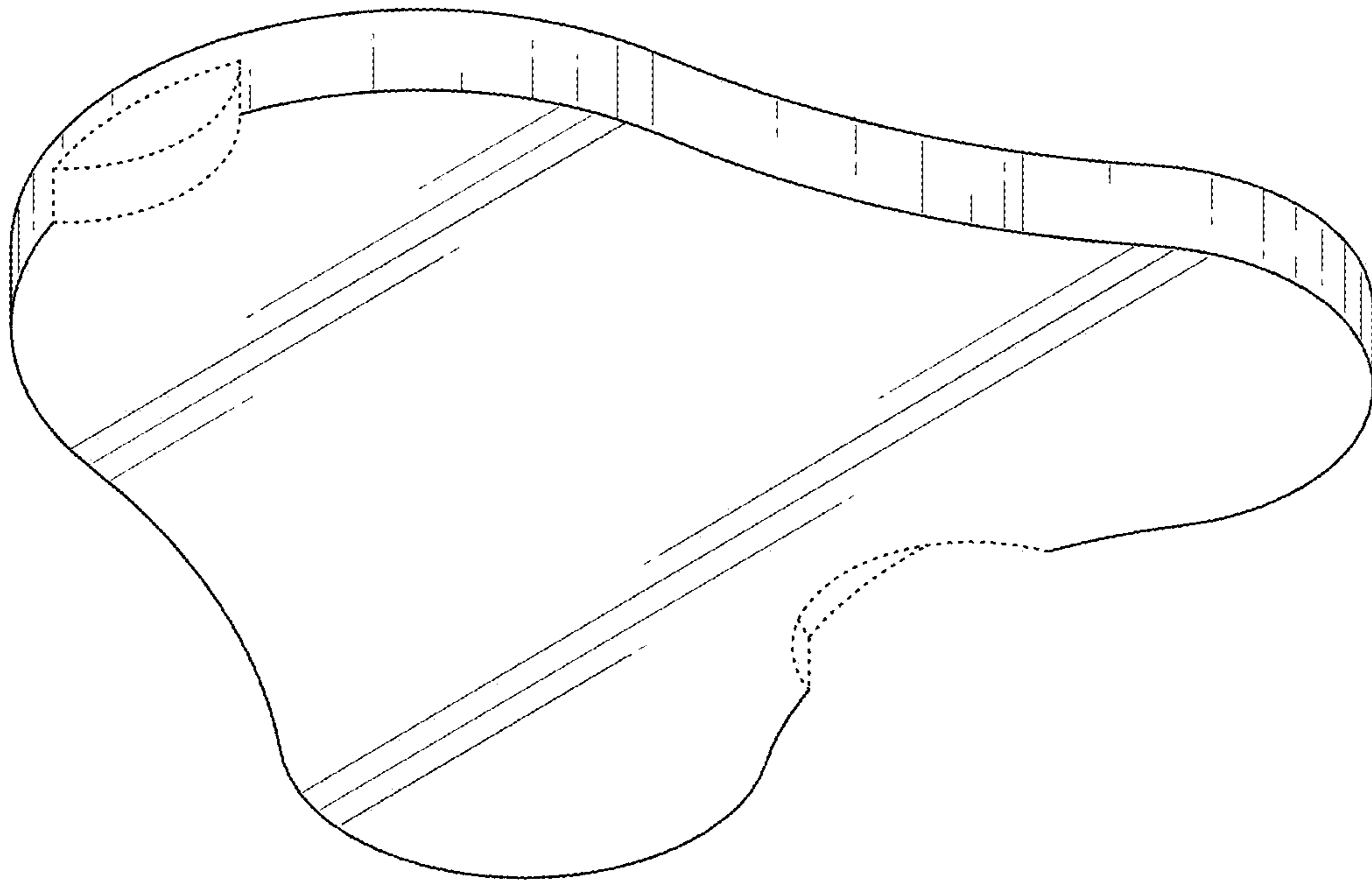


FIG. 2

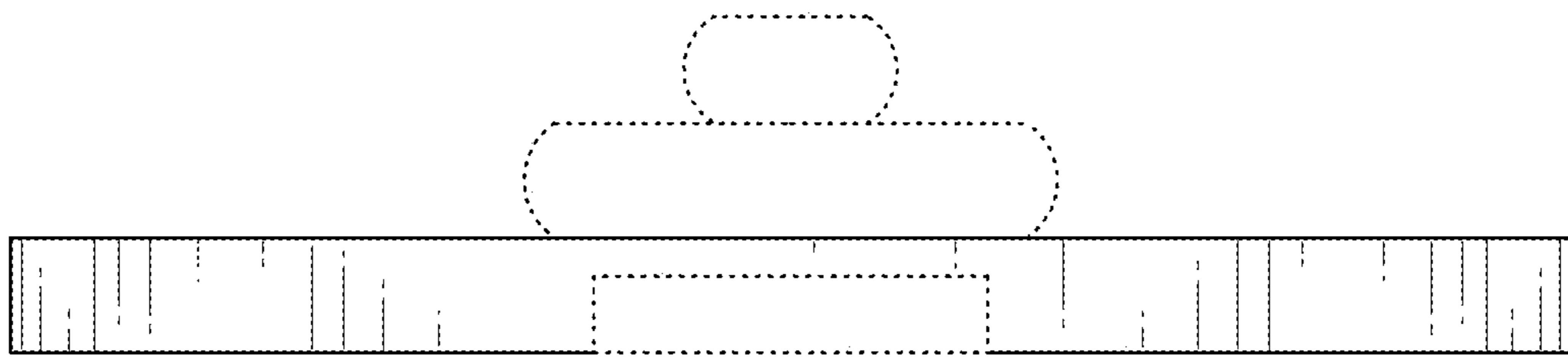


FIG. 3

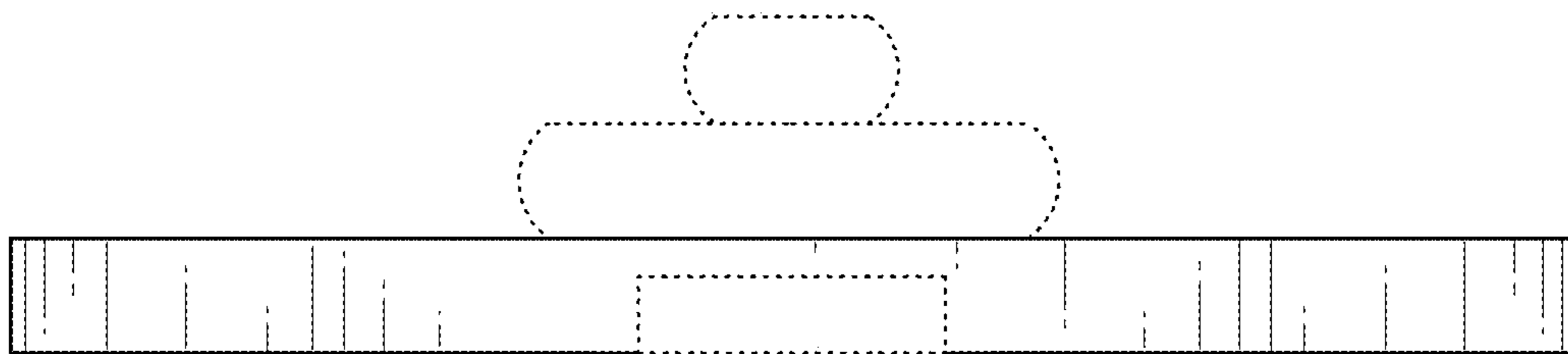


FIG. 4

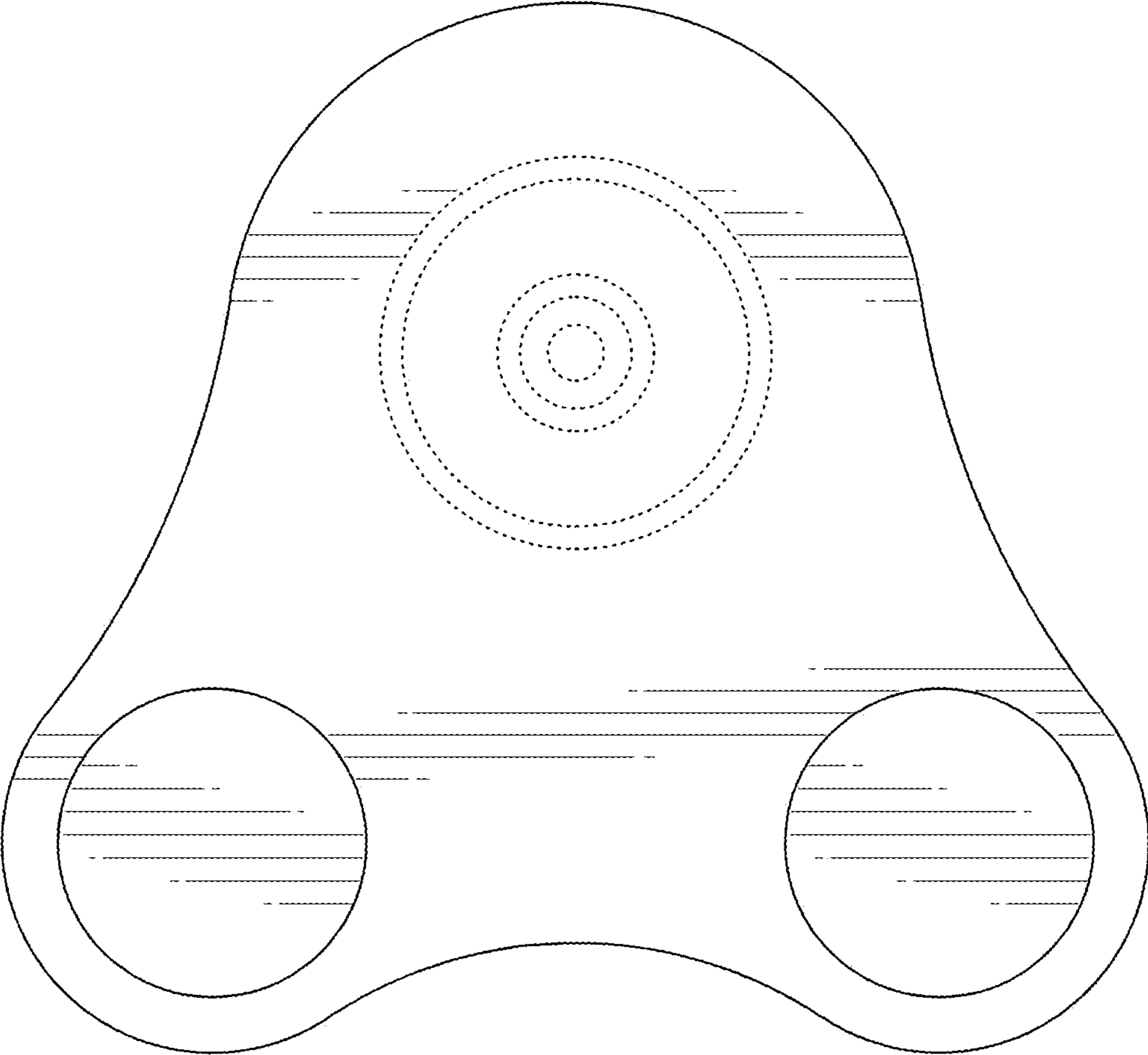


FIG. 5

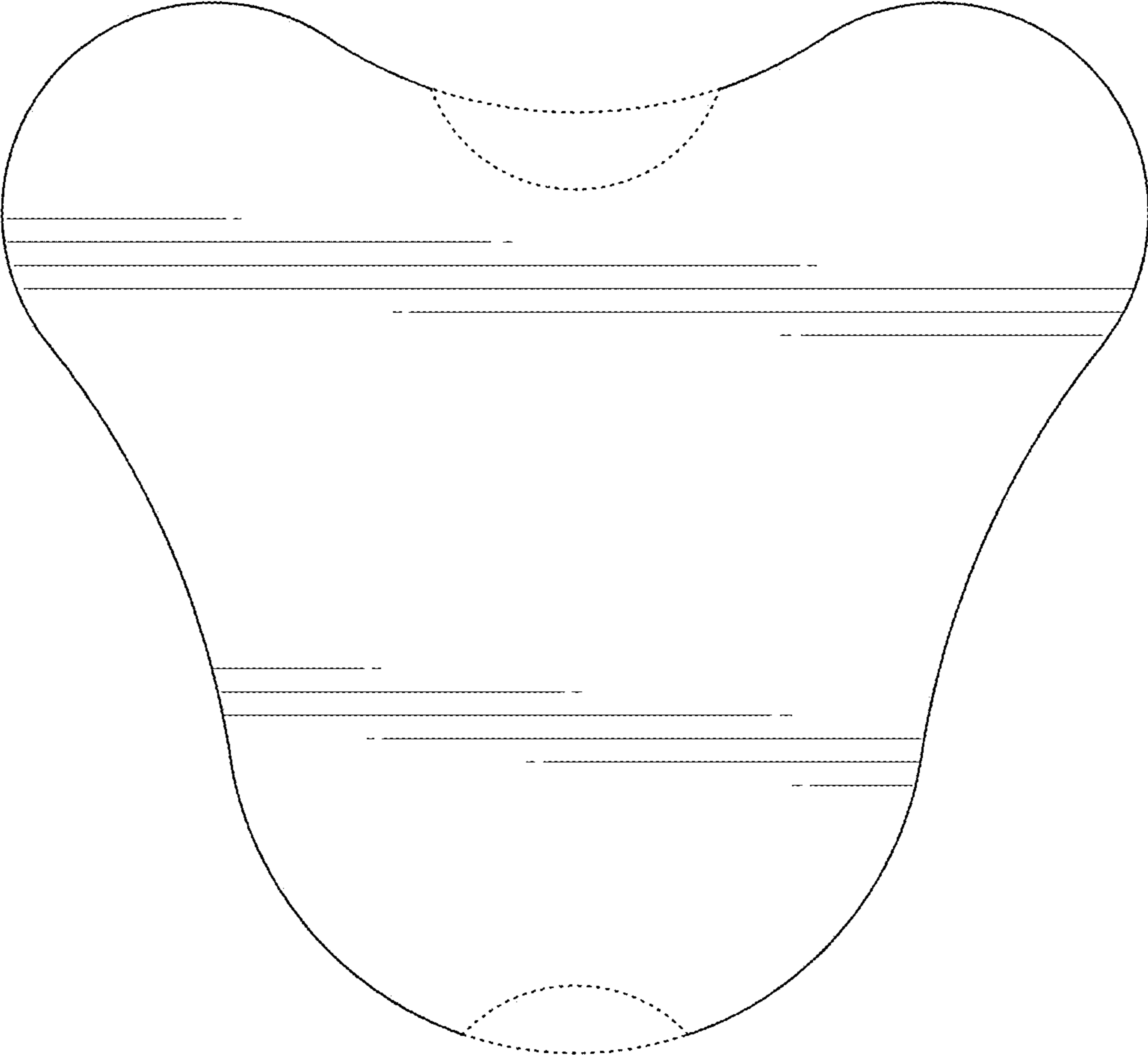


FIG. 6

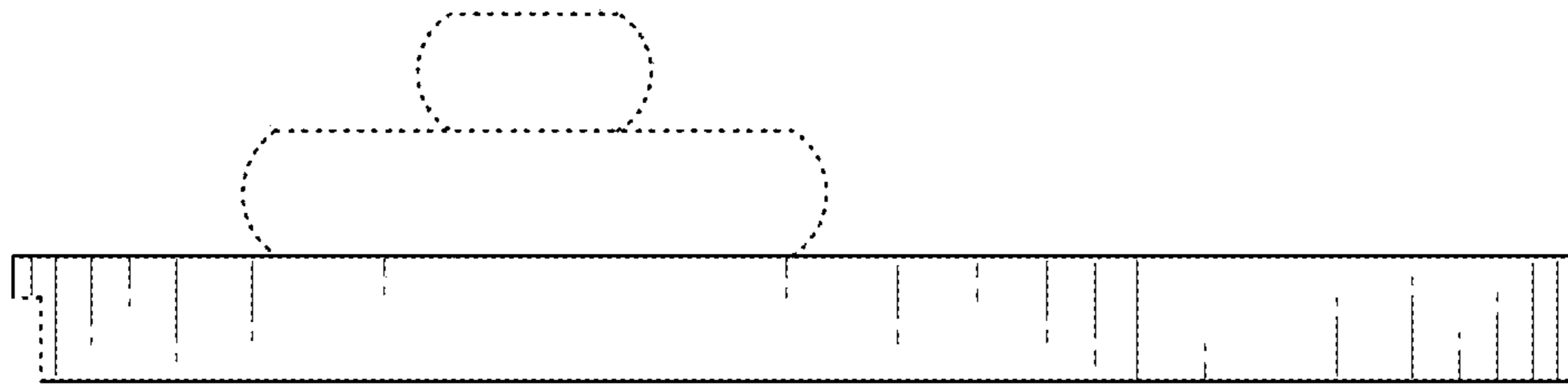


FIG. 7

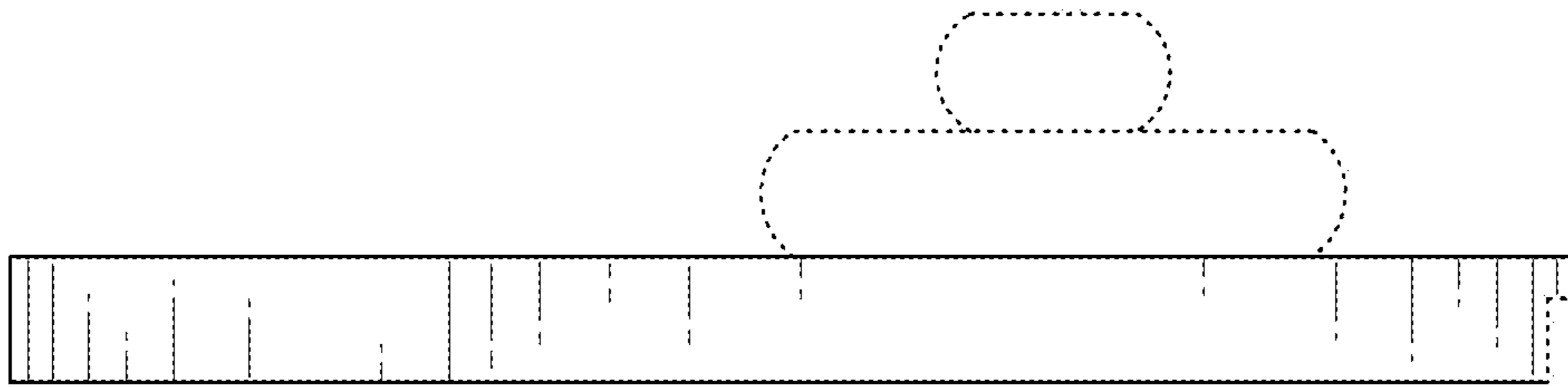


FIG. 8

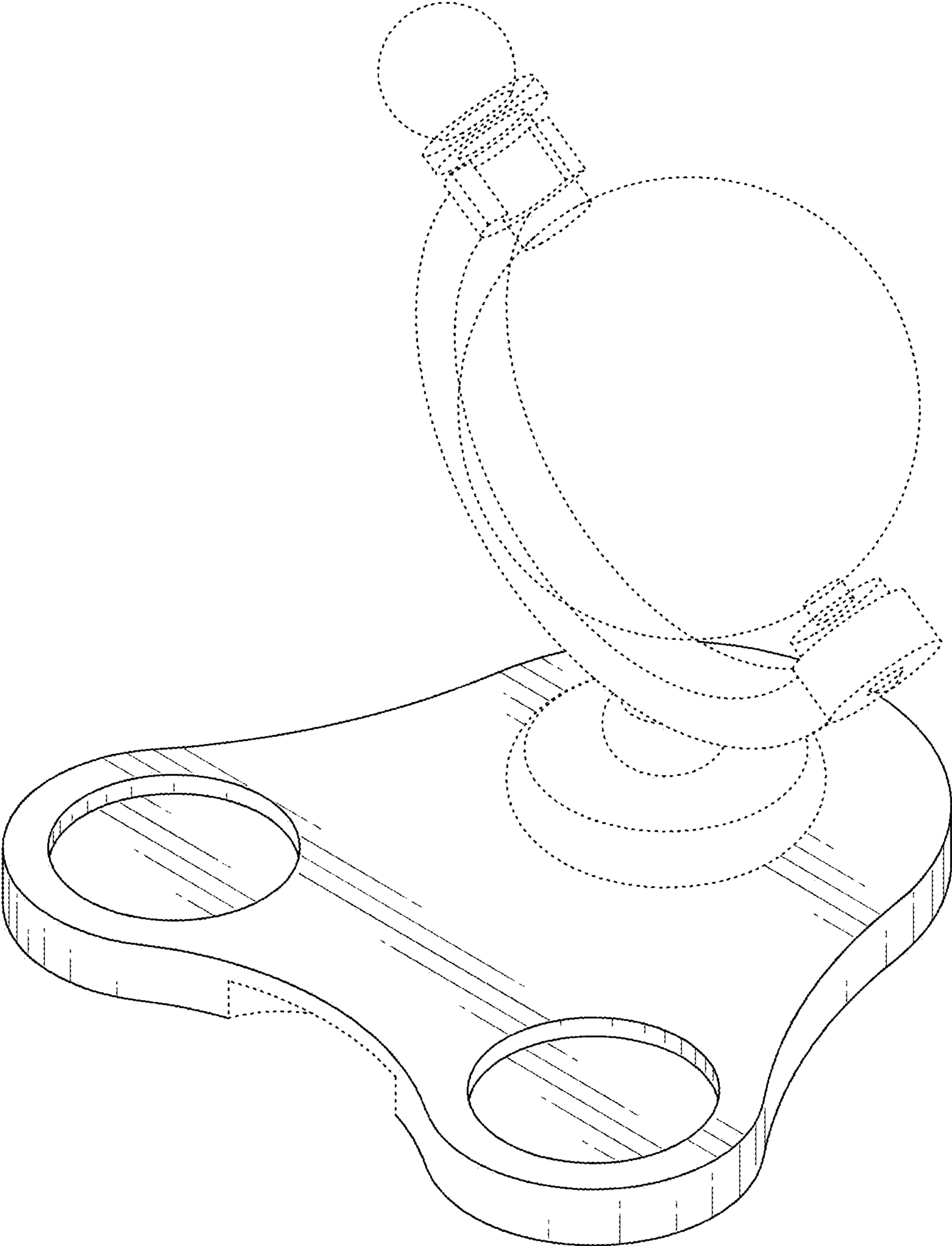


FIG. 9

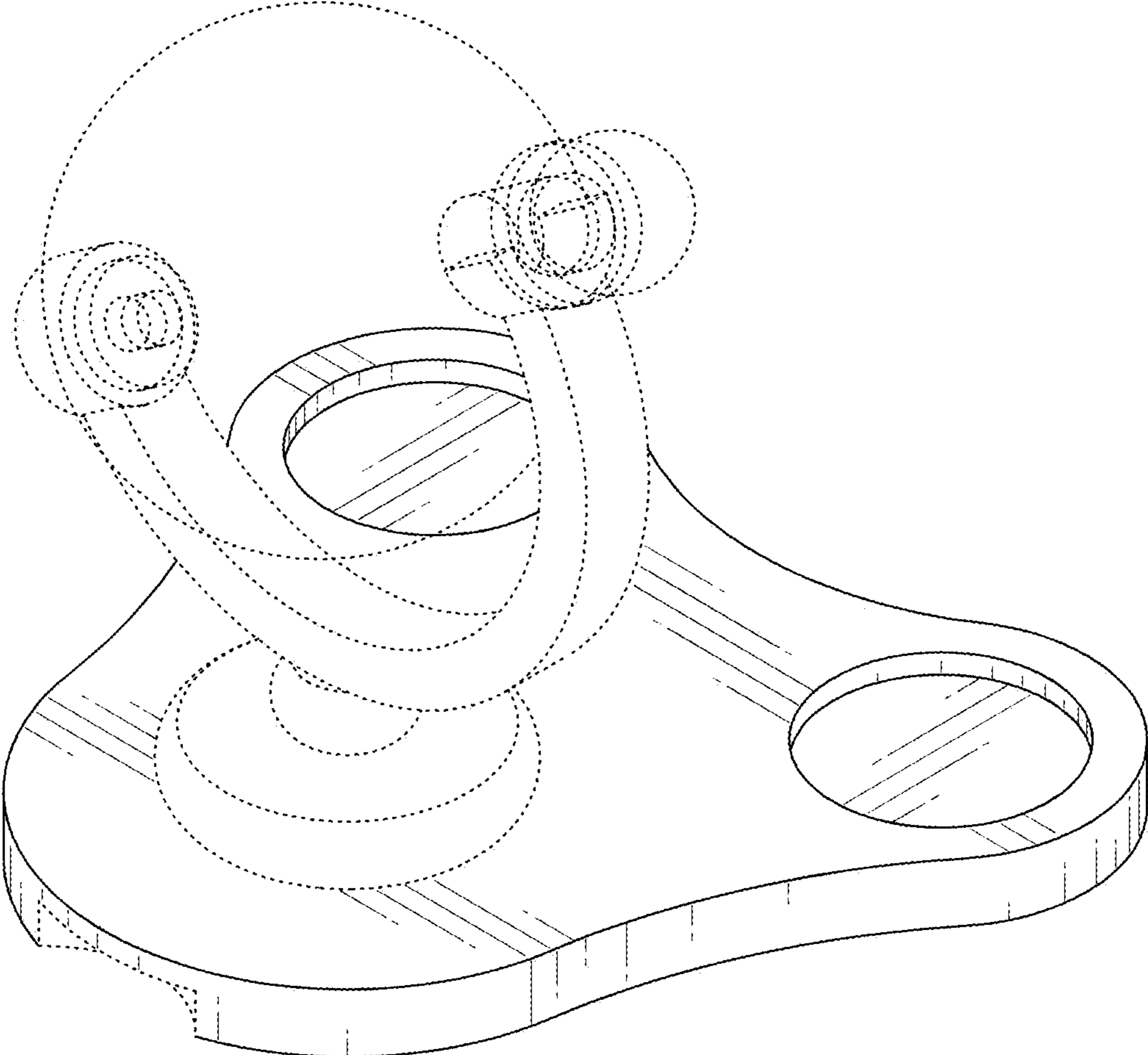


FIG. 10