



US00D950306S

(12) **United States Design Patent**
Peng

(10) **Patent No.:** **US D950,306 S**

(45) **Date of Patent:** **** May 3, 2022**

- (54) **LID FOR WATER BOTTLE**
- (71) Applicant: **Shenzhen Too Feel Plastic & Hardware Co., Ltd, Guangdong (CN)**
- (72) Inventor: **Guo Peng, Guangdong (CN)**
- (73) Assignee: **Shenzhen Too Feel Plastic & Hardware Co., Ltd, Shenzhen (CN)**
- (**) Term: **15 Years**
- (21) Appl. No.: **29/751,299**
- (22) Filed: **Sep. 21, 2020**

(30) **Foreign Application Priority Data**

- Jun. 15, 2020 (CN) 202030304381.9
- (51) **LOC (13) Cl.** **07-01**
- (52) **U.S. Cl.**
USPC **D7/392.1; D9/442; D7/396.2**
- (58) **Field of Classification Search**
USPC D9/435, 439, 440, 442-449, 450, 454,
D9/531, 682-694, 723; D7/321, 391,
D7/392, 392.1, 396.2, 507, 509-511, 523,
D7/608, 900; D6/515
CPC B65D 83/205; B65D 83/206; B65D 83/40;
B65D 2543/00046; A47G 19/2272
See application file for complete search history.

(56) **References Cited**

U.S. PATENT DOCUMENTS

- D547,607 S * 7/2007 Forsman D7/396.2
- D716,657 S * 11/2014 Caneer D9/443
- D729,569 S * 5/2015 Herbst D7/392
- D811,162 S * 2/2018 Rane D7/396.2
- D812,966 S * 3/2018 Murosky D7/392.1
- D814,855 S * 4/2018 Hammer D7/392.1
- D838,549 S * 1/2019 Gu D7/510
- D855,388 S * 8/2019 Potter D7/392

- D858,182 S * 9/2019 Keung D7/392.1
- D862,985 S * 10/2019 Backs D7/511
- D870,508 S * 12/2019 Palkon D7/392.1
- D871,833 S * 1/2020 Farsai A47G 19/2266
D7/392.1
- D884,419 S * 5/2020 Backs D7/396.2
- D886,517 S * 6/2020 Bo D7/392.1
- D897,760 S * 10/2020 Feng D7/392.1
- D897,761 S * 10/2020 Zhang D7/392.1
- D902,650 S * 11/2020 Wang D7/396.2
- D903,403 S * 12/2020 Ames D7/392
- D906,042 S * 12/2020 Chen D7/392.1
- D907,959 S * 1/2021 Hao D7/510
- D911,100 S * 2/2021 Chen D7/392.1
- D911,101 S * 2/2021 Fang D7/392.1

(Continued)

Primary Examiner — Brett Miller
Assistant Examiner — Rani J Abdallah

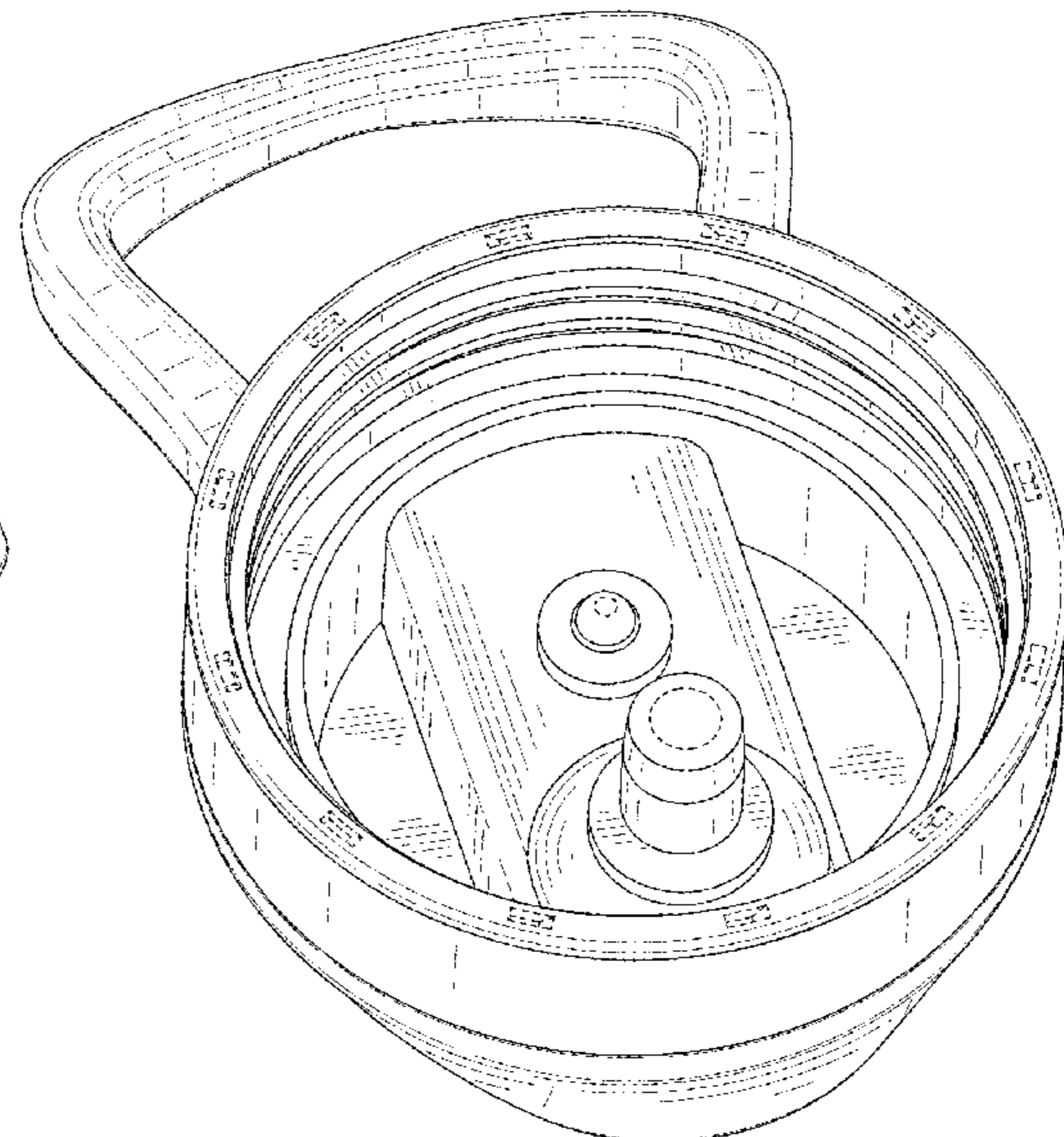
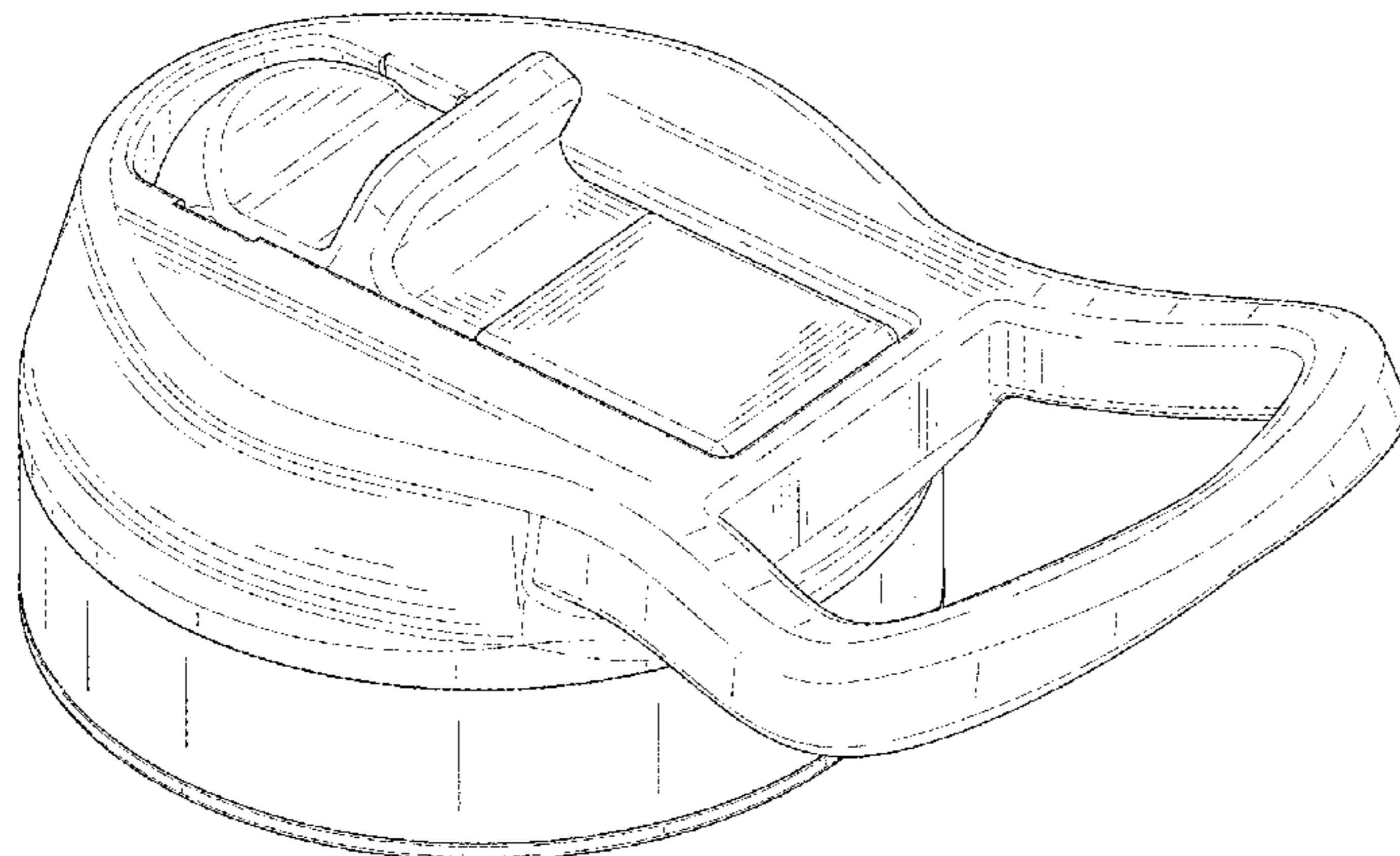
(57) **CLAIM**

The ornamental design for a lid for water bottle, as shown and described.

DESCRIPTION

FIG. 1 is a front, top and left side perspective view of a lid for water bottle showing my new design;
 FIG. 2 is a rear, bottom and left side perspective view thereof;
 FIG. 3 is a front and left side view thereof;
 FIG. 4 is a front elevational view thereof;
 FIG. 5 is a rear elevational view thereof;
 FIG. 6 is a left side view thereof;
 FIG. 7 is a right side view thereof;
 FIG. 8 is a top plan view thereof;
 FIG. 9 is a bottom plan view thereof; and,
 FIG. 10 is a cross-sectional view taken along line 10-10 of FIG. 9.
 The broken lines in the drawings illustrate portions of the lid for water bottle which form no part of the claimed design.

1 Claim, 10 Drawing Sheets



(56)

References Cited

U.S. PATENT DOCUMENTS

D914,441	S	*	3/2021	Zhang	D7/392.1
D915,821	S	*	4/2021	Ludolph	D7/396.2
D916,560	S	*	4/2021	Wu	D7/392.1
D917,953	S	*	5/2021	Yao	D7/392
D922,826	S	*	6/2021	Lin	D7/510
D923,396	S	*	6/2021	Lin	D7/392.1
D924,624	S	*	7/2021	Huang	D7/392.1
D925,275	S	*	7/2021	Liu	D7/392.1
D929,802	S	*	9/2021	Han	D7/392.1
D930,427	S	*	9/2021	Ayres	D7/392.1
D934,623	S	*	11/2021	Wang	D7/392.1
D935,265	S	*	11/2021	Chen	D7/392.1

* cited by examiner

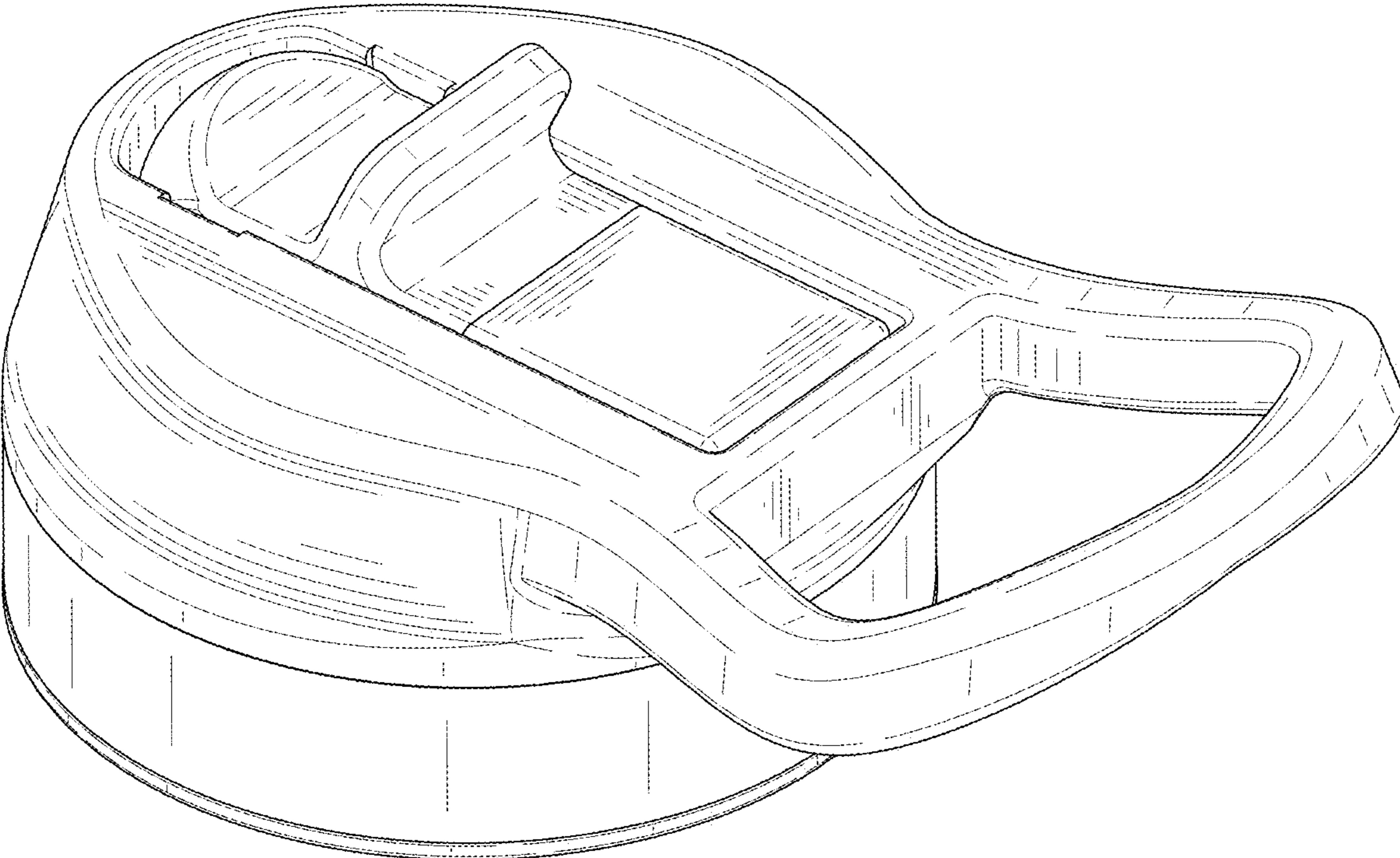


FIG. 1

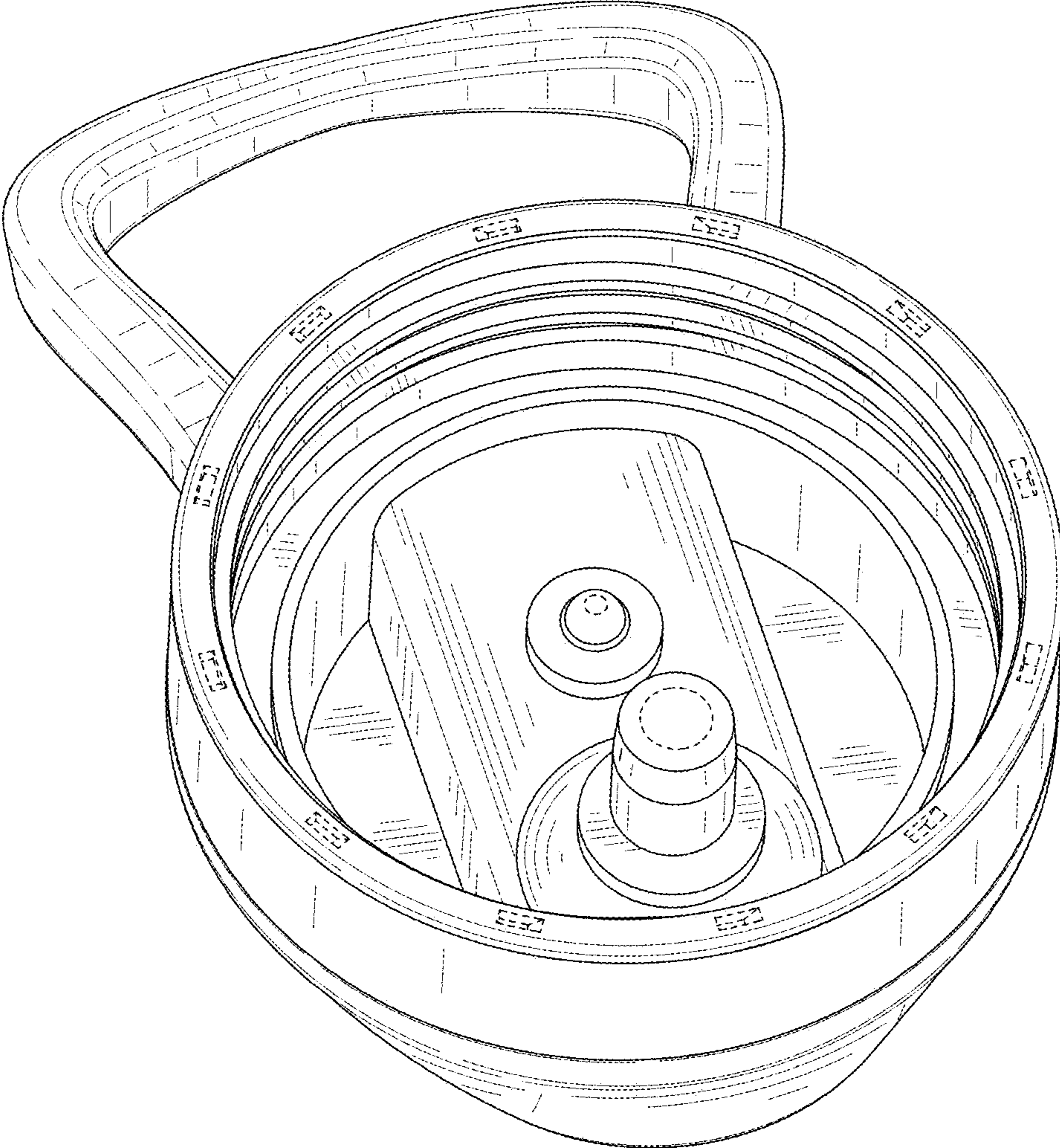


FIG. 2

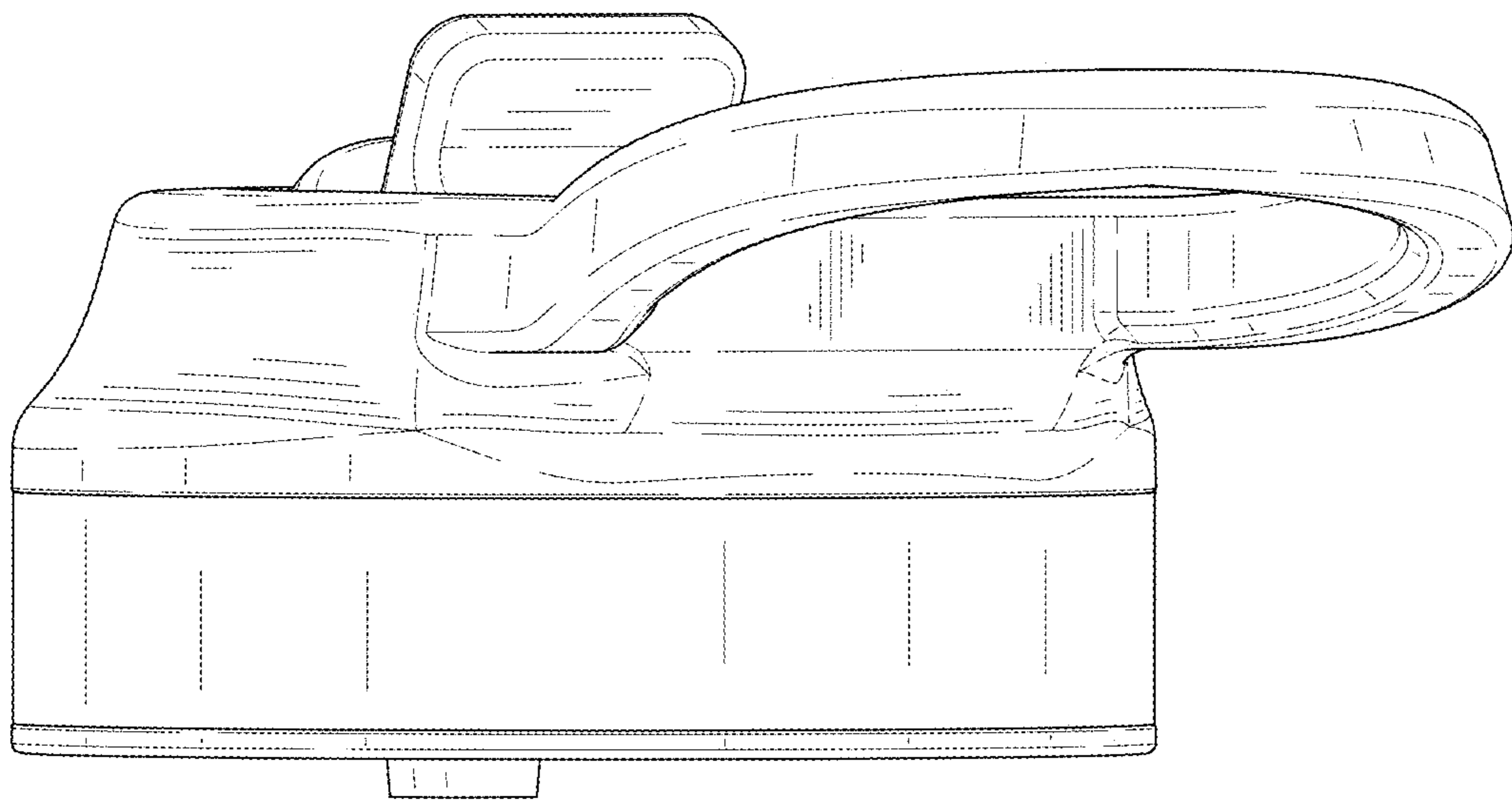


FIG. 3

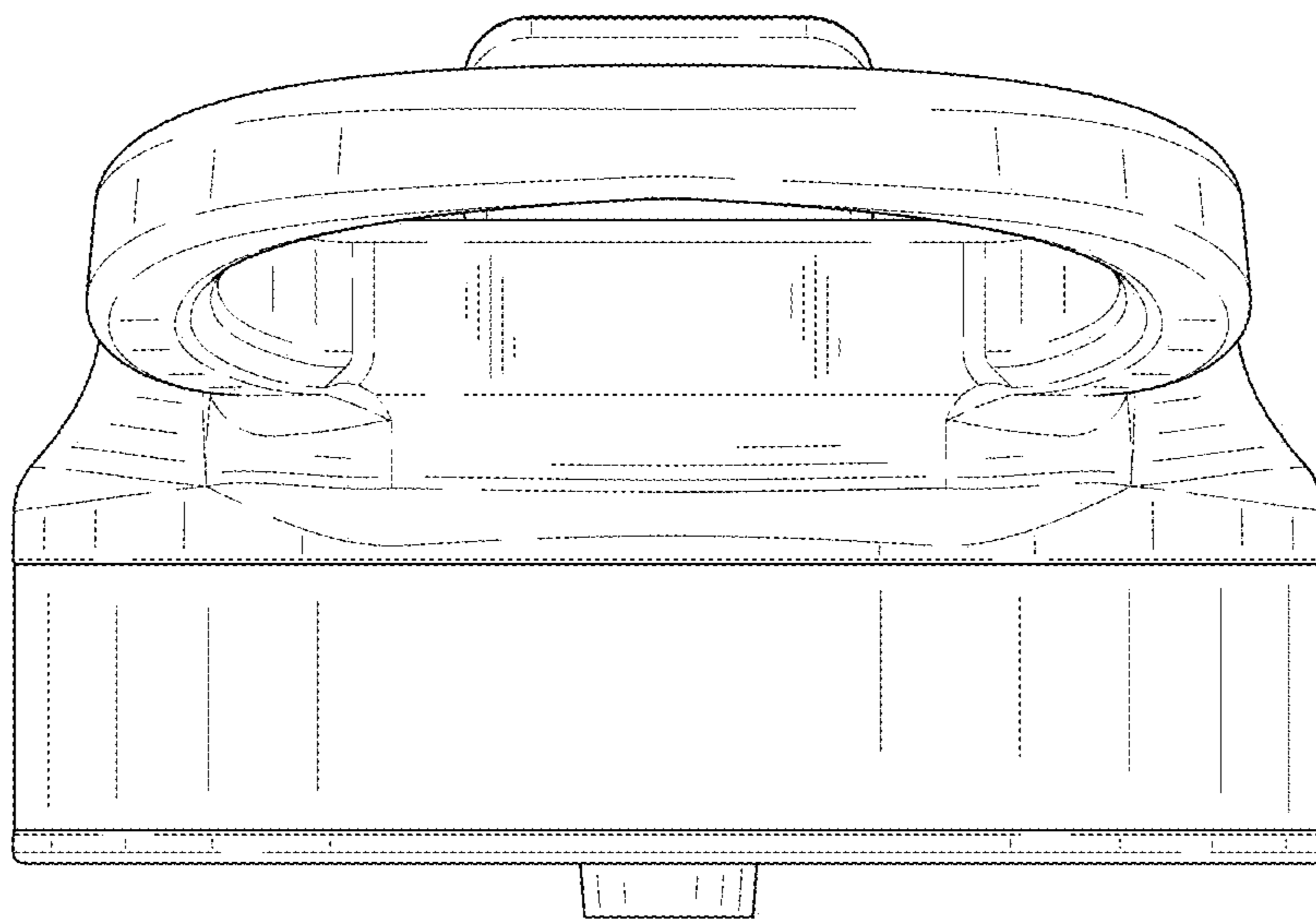


FIG. 4

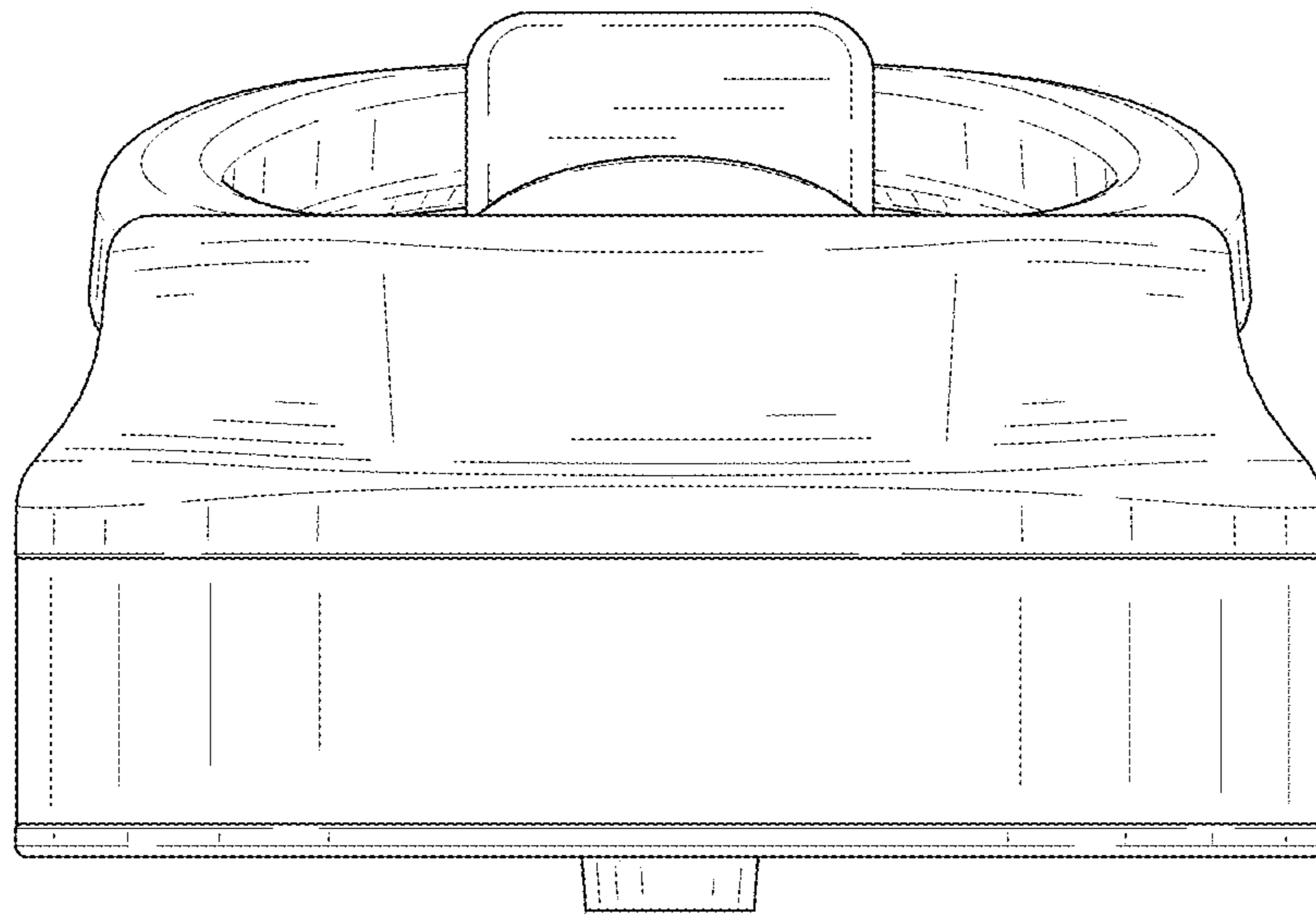


FIG. 5

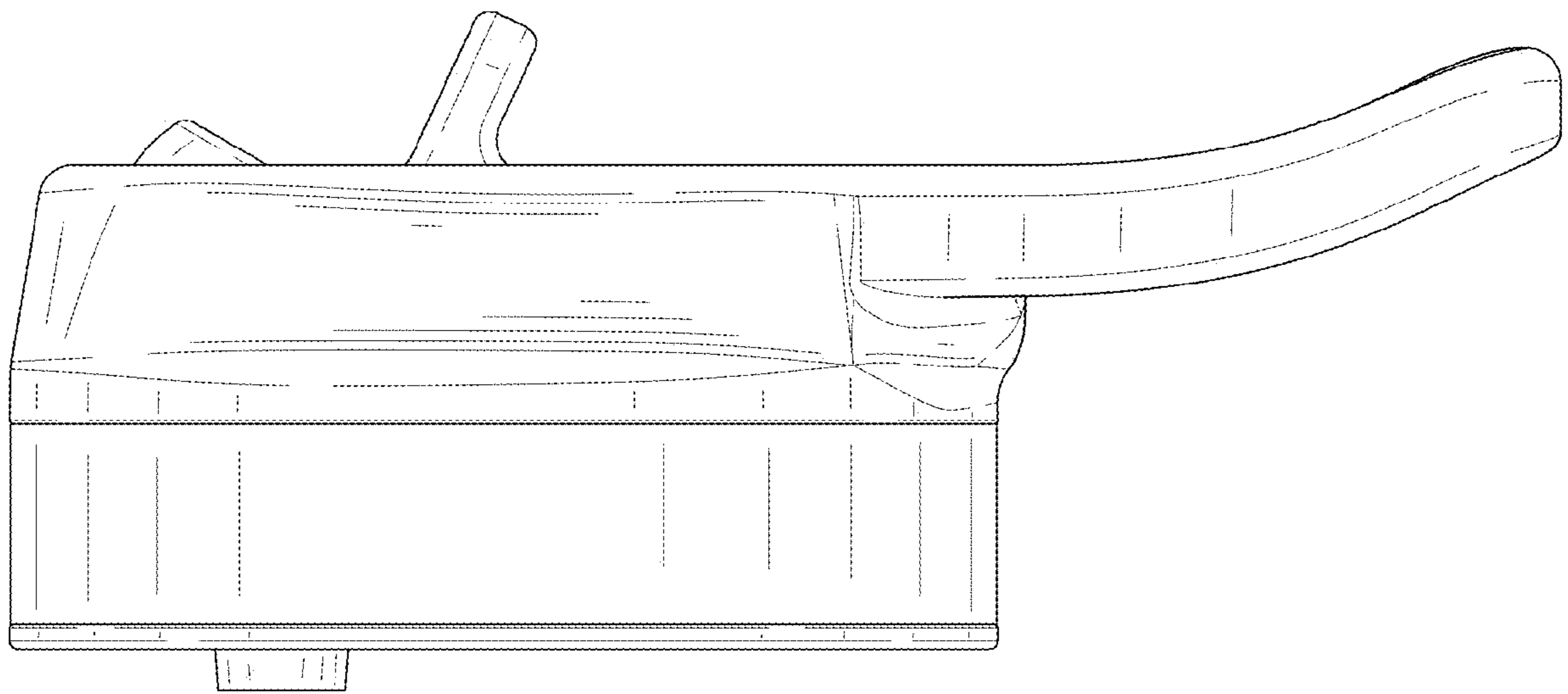


FIG. 6

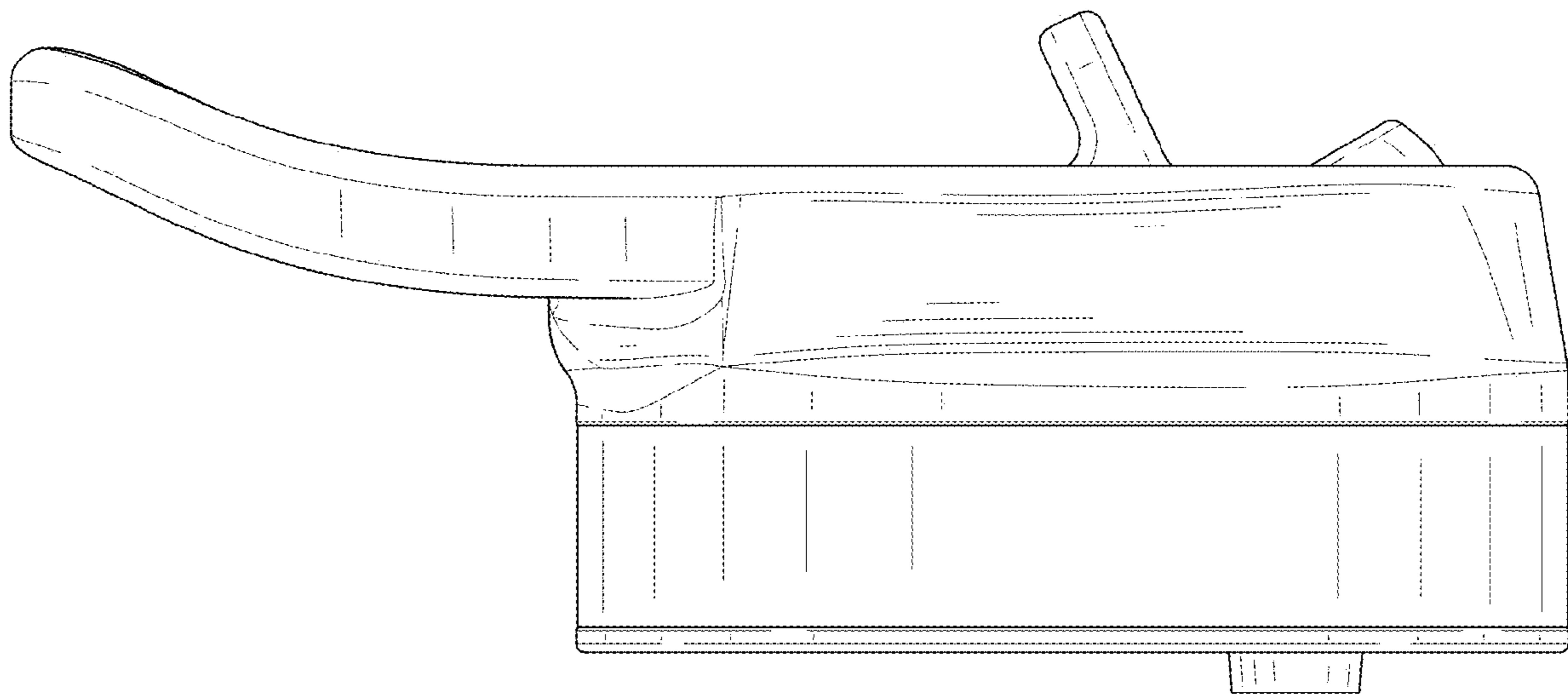


FIG. 7

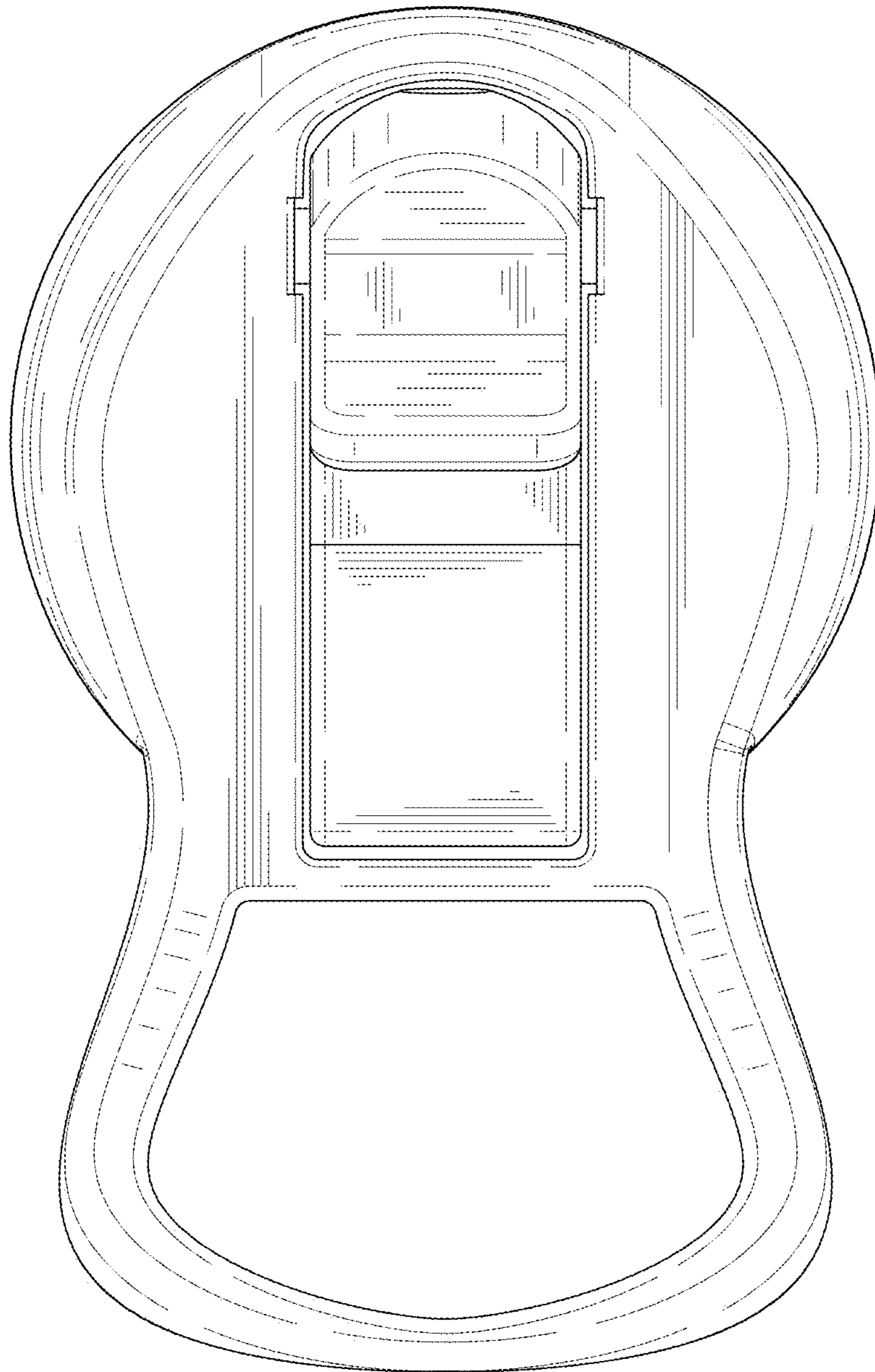


FIG. 8

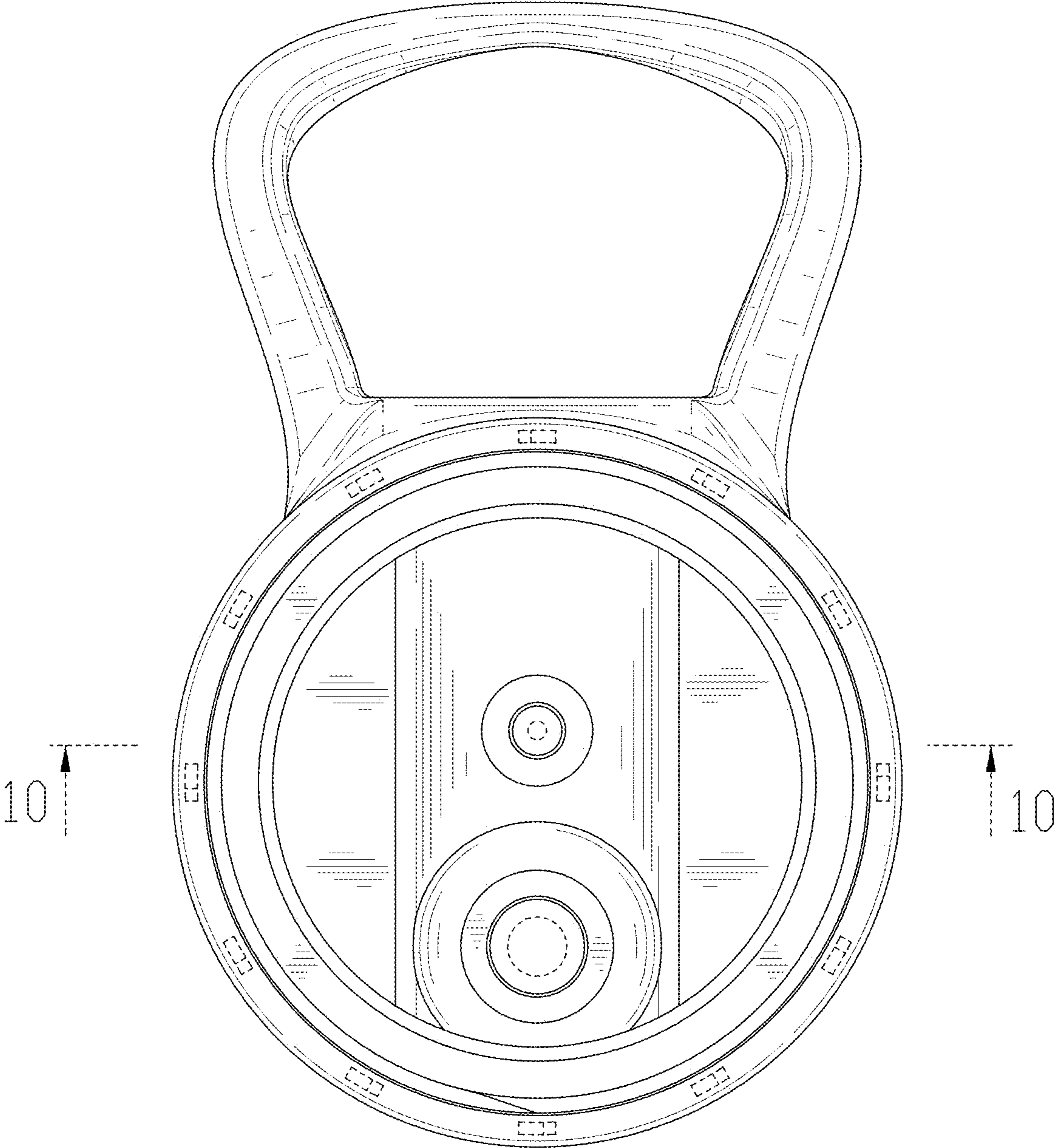


FIG. 9

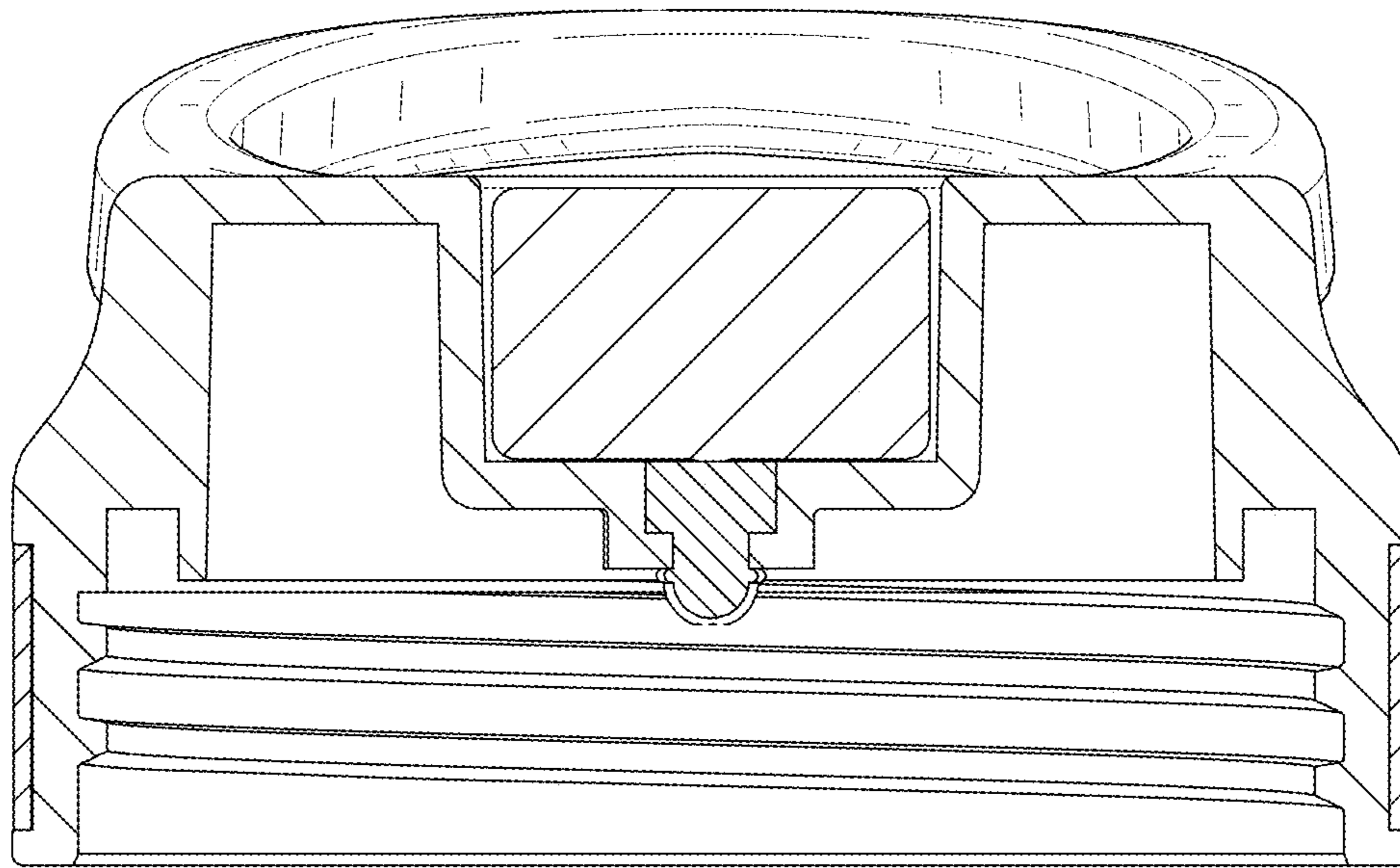


FIG. 10