



US00D950305S

(12) **United States Design Patent** (10) **Patent No.:** **US D950,305 S**  
**Bourgeois** (45) **Date of Patent:** **\*\* May 3, 2022**

(54) **ELECTRIC CHOPPER**  
(71) Applicant: **BABYLISS FACO SRL**, Wandre (BE)  
(72) Inventor: **Sophie Bourgeois**, Liege (BE)  
(73) Assignee: **BABYLISS FACO SRL**, Wandre (BE)  
(\*\*) Term: **15 Years**  
(21) Appl. No.: **35/510,423**  
(22) Filed: **Sep. 7, 2020**  
(80) **Hague Agreement Data**  
Int. Filing Date: **Sep. 7, 2020**  
Int. Reg. No.: **DM/210302**  
Int. Reg. Date: **Sep. 7, 2020**  
Int. Reg. Pub. Date: **Sep. 25, 2020**

(30) **Foreign Application Priority Data**  
Mar. 25, 2020 (EM) ..... 007770508-0001  
(51) **LOC (13) Cl.** ..... **31-00**  
(52) **U.S. Cl.**  
USPC ..... **D7/383**  
(58) **Field of Classification Search**  
USPC ..... D7/300.1, 318, 319, 332, 337, 348,  
D7/350.1, 354, 362, 368, 372, 378, 381,  
D7/383, 384, 386, 401.2, 402, 404, 412,  
D7/509, 510, 511, 533, 554.3, 602, 604,  
D7/609, 611, 615, 649, 652, 653, 664,  
D7/671, 672, 674, 683, 691, 693, 694,  
D7/698, 701, 703, 708  
CPC . A21B 2/00; A47J 43/27; A47G 19/22; H05B  
6/64  
See application file for complete search history.

(56) **References Cited**  
U.S. PATENT DOCUMENTS  
2,766,022 A \* 10/1956 Bender ..... A47J 43/07  
366/247  
4,723,719 A \* 2/1988 Williams ..... A47J 43/044  
241/282.2

D369,944 S \* 5/1996 Cartellone ..... D7/412  
D372,397 S \* 8/1996 Littmann ..... D7/413  
D395,573 S \* 6/1998 Leverrier ..... D7/372  
D400,050 S \* 10/1998 Littmann ..... D7/412  
D404,253 S \* 1/1999 Littmann ..... D7/412  
7,059,553 B2 \* 6/2006 Mueller ..... A47J 43/1025  
241/168  
D528,355 S \* 9/2006 Smit ..... D7/373  
D572,076 S \* 7/2008 Ling ..... A47J 43/0705  
D7/384  
D644,478 S \* 9/2011 Czach ..... D7/372  
D651,871 S \* 1/2012 Coursey ..... A47J 43/105  
D7/693  
8,695,490 B2 \* 4/2014 Harris ..... A47J 43/1031  
99/537  
9,084,508 B2 \* 7/2015 Sandford ..... A47J 43/0722  
D795,636 S \* 8/2017 Chen ..... D7/384

(Continued)

*Primary Examiner* — Karen S Acker

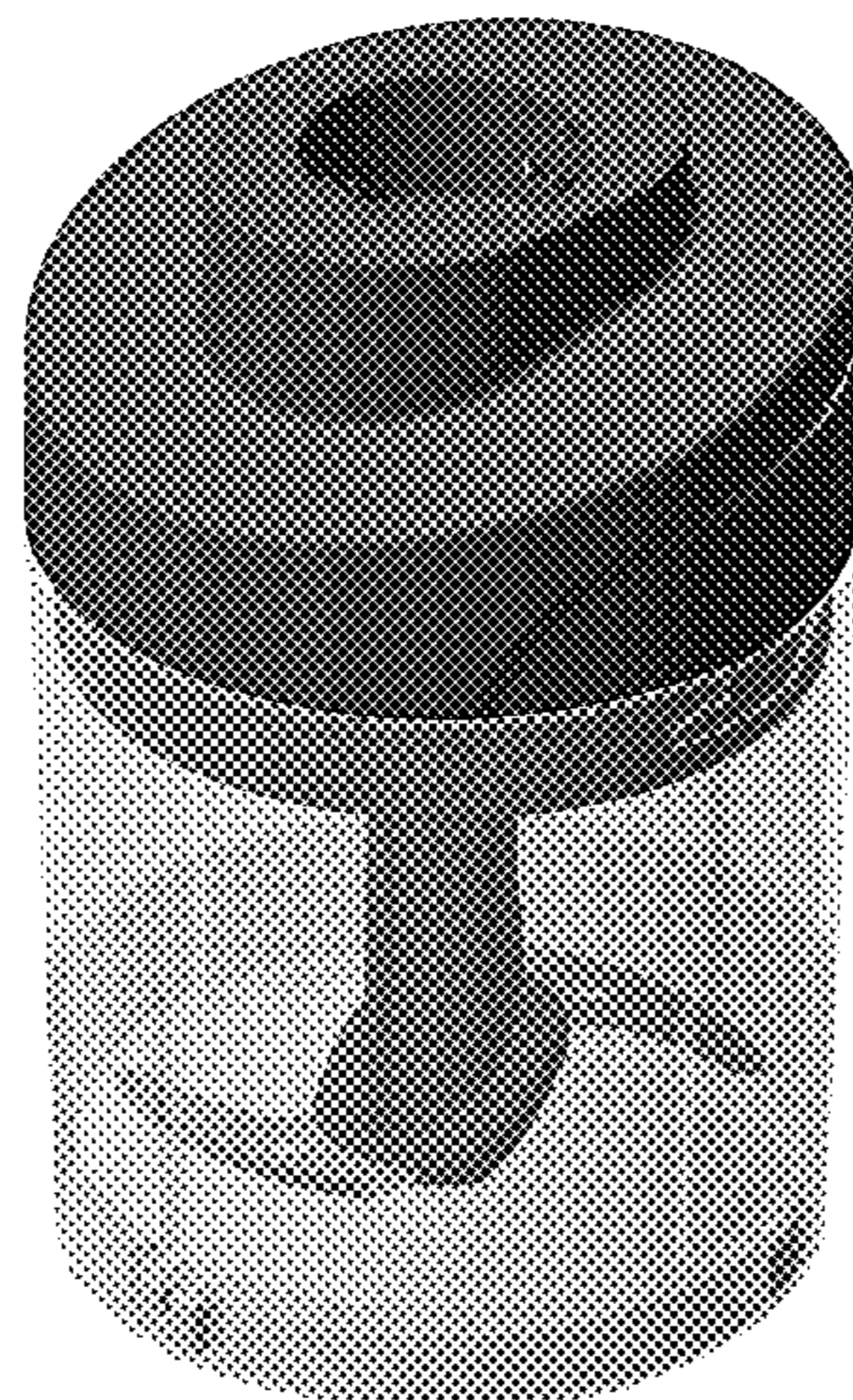
(57) **CLAIM**

The ornamental design for an electric chopper, as shown and described.

**DESCRIPTION**

Figure 1.1 is a front and right perspective view of an electric chopper showing my new design;  
Figure 1.2 is a bottom view thereof;  
Figure 1.3 is a top view thereof;  
Figure 1.4 is a right perspective view thereof showing the electric chopper in a position of use;  
Figure 1.5 is a front elevation view of the electric chopper of figure 1.1;  
Figure 1.6 is a left side view thereof;  
Figure 1.7 is a left and bottom perspective view thereof;  
Figure 1.8 is a rear elevation view thereof; and  
Figure 1.9 is a right side view thereof.  
The broken lines in Figure 1.4 depict environmental subject matter that forms no part of the claimed design.

**1 Claim, 9 Drawing Sheets**



(56)

**References Cited**

U.S. PATENT DOCUMENTS

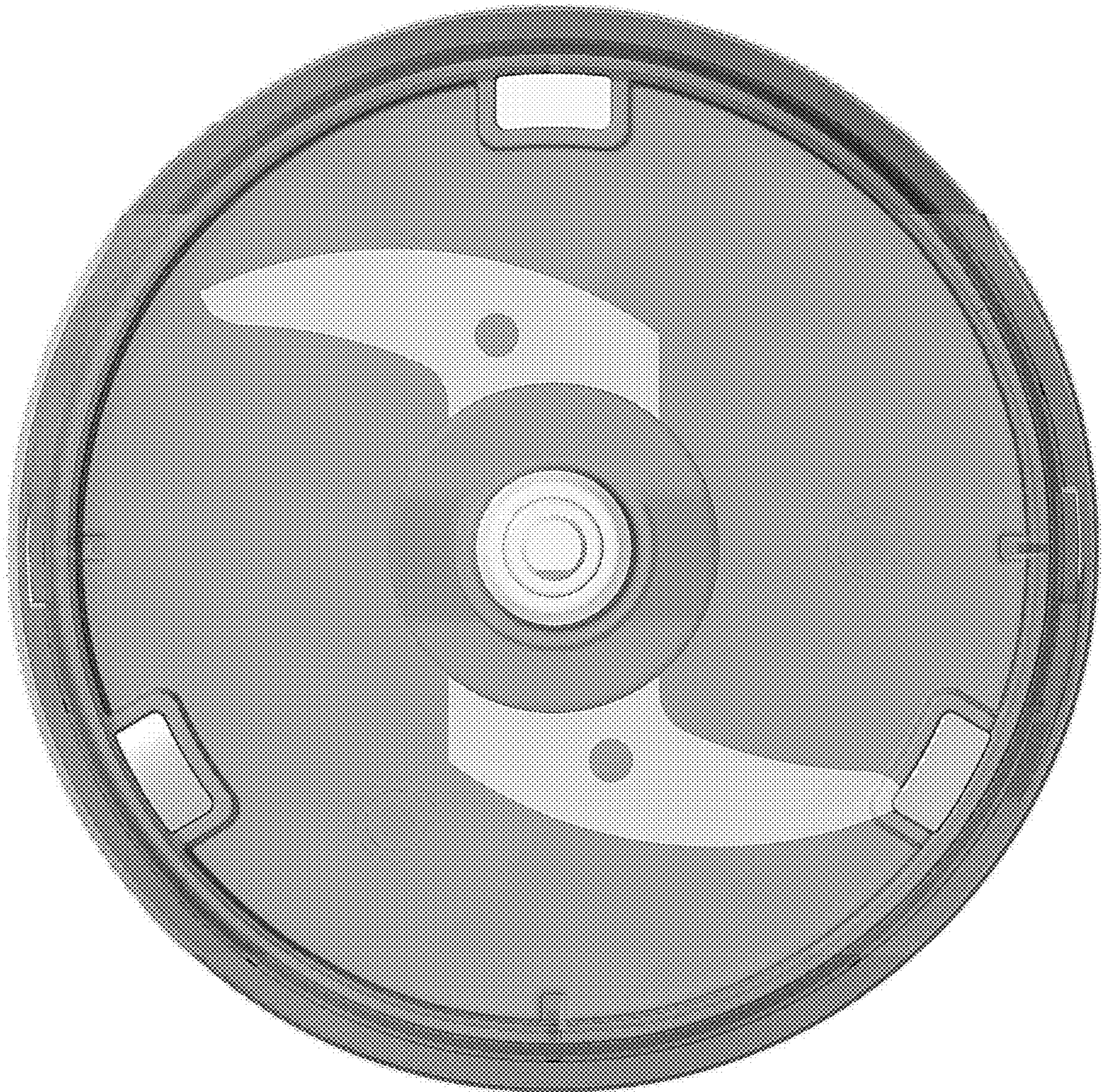
D804,247 S \* 12/2017 Winn ..... A47J 43/1031  
D7/412  
D853,174 S \* 7/2019 Zernhelt ..... D7/373  
D906,066 S \* 12/2020 Lu ..... D7/693  
D930,425 S \* 9/2021 Bourgeois ..... A47J 43/044  
D7/378  
D933,417 S \* 10/2021 Bourgeois ..... A47J 43/0777  
D7/384  
D934,023 S \* 10/2021 Shu ..... A47J 43/0722  
D7/384  
2009/0045274 A1\* 2/2009 So ..... A47J 43/0705  
241/169.1  
2013/0010568 A1\* 1/2013 Bodum ..... A47J 43/105  
366/130  
2014/0001296 A1\* 1/2014 Gen ..... A47J 43/0777  
241/100

\* cited by examiner

1.1



1.2



1.3



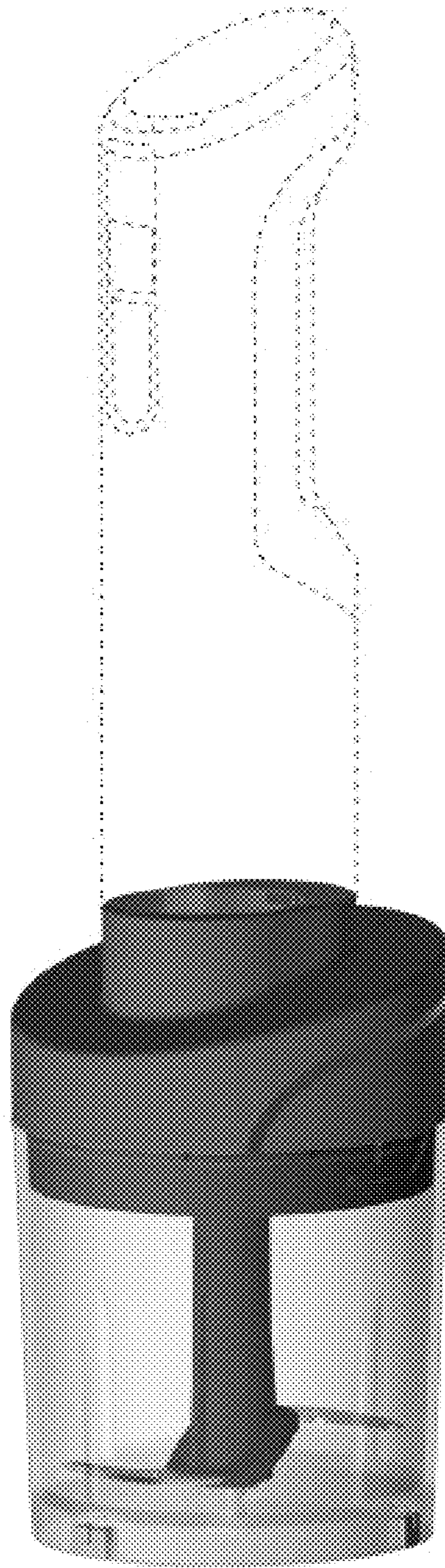
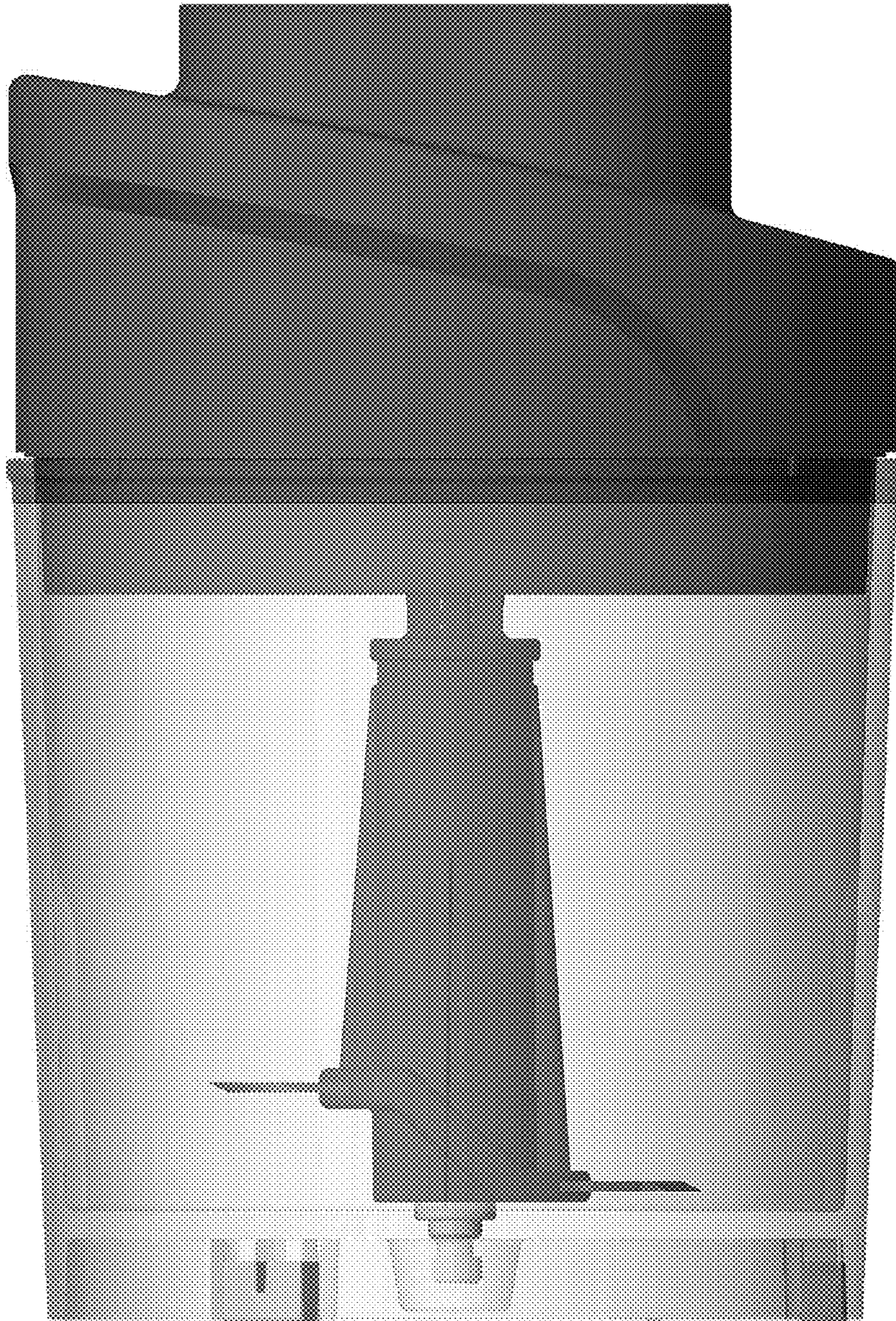


FIG. 1.4

1.5

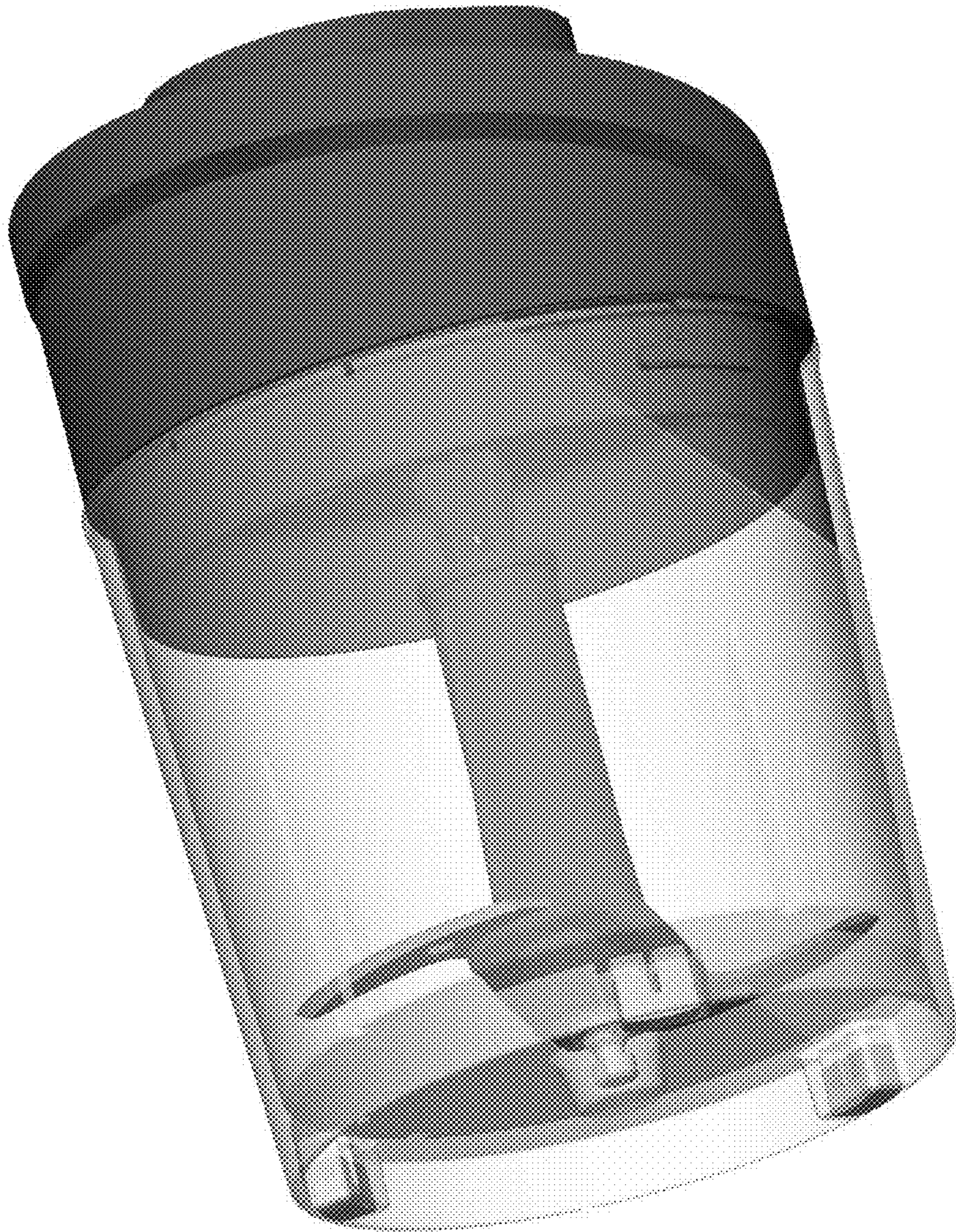


1.6

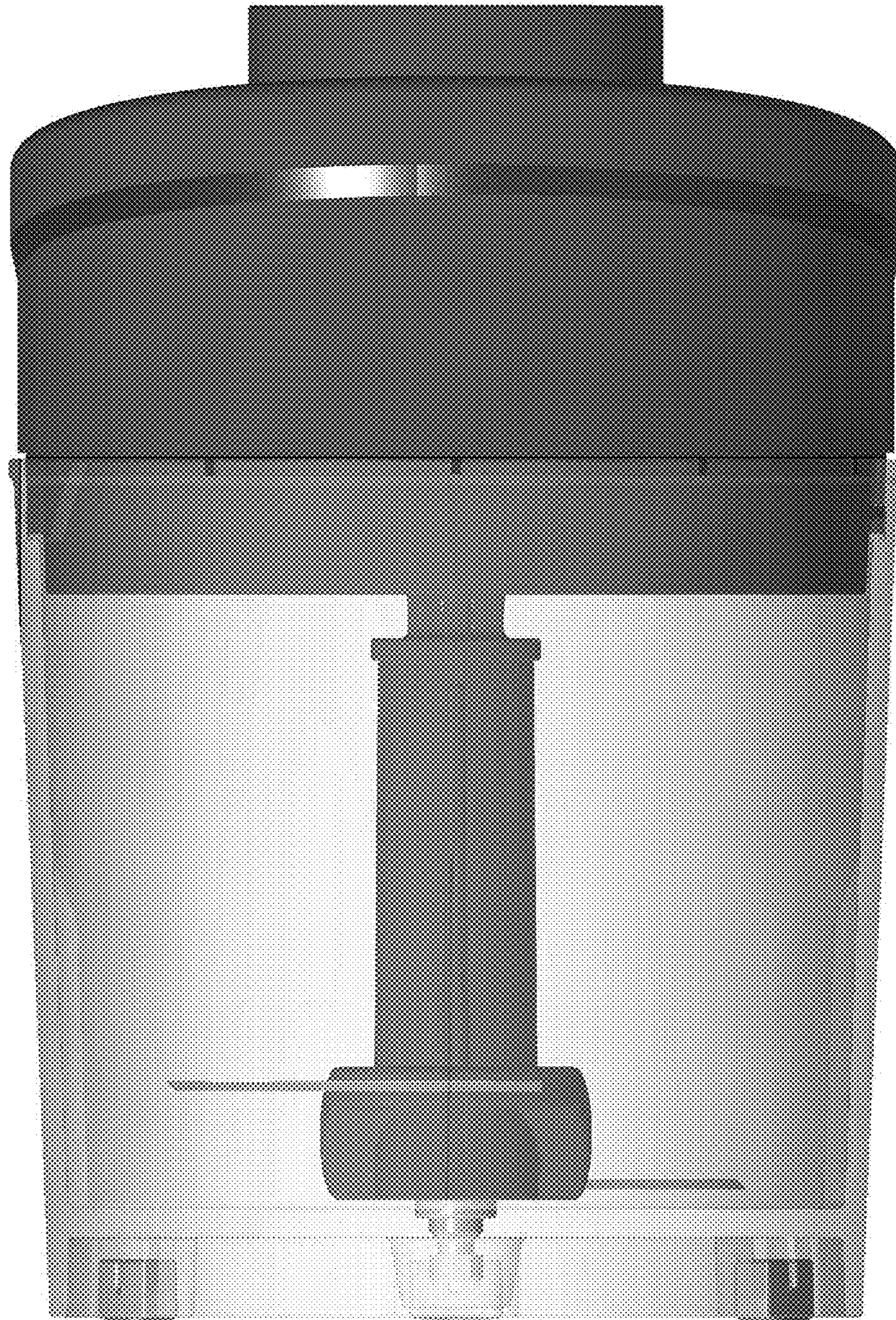




1.7



1.8



1.9

