



US00D950304S

(12) **United States Design Patent** (10) **Patent No.:** **US D950,304 S**  
**Grienay et al.** (45) **Date of Patent:** **\*\* May 3, 2022**

(54) **COMBINED INDUCTION HUB AND IMMERSION HEATER**

(71) Applicant: **SEB**, Selongey (FR)  
(72) Inventors: **Arnaud Grienay**, Lyons (FR); **Jérémy Cornu**, Lyons (FR)  
(73) Assignee: **SEB**, Selongey (FR)  
(\*\*) Term: **15 Years**  
(21) Appl. No.: **29/722,131**  
(22) Filed: **Jan. 27, 2020**

(30) **Foreign Application Priority Data**

Jul. 29, 2019 (EM) ..... 006652129-0001  
Jul. 29, 2019 (EM) ..... 006652129-0002  
Jul. 29, 2019 (EM) ..... 006652129-0003  
Jul. 29, 2019 (EM) ..... 006652129-0004  
Jul. 29, 2019 (EM) ..... 006652129-0005

(51) **LOC (13) Cl.** ..... **07-02**

(52) **U.S. Cl.**  
USPC ..... **D7/362; D7/354**

(58) **Field of Classification Search**  
USPC ..... D7/323, 328-330, 337, 347, 352-364, D7/367, 402, 409-411; D24/164, 215; D30/122  
CPC . A21B 5/023; A47J 27/60; A47J 27/62; A47J 37/04; A47J 37/06; A47J 37/067; A47J 37/0605; A47J 37/0611; A47J 37/0623; A47J 37/0629; A47J 37/0676; A47J 2037/06; A47J 2037/0611; B01F 13/04; B01F 13/0818; B01L 9/00; F24C 15/10; F24C 15/102; H05B 6/02; H05B 6/062

See application file for complete search history.

(56) **References Cited**

U.S. PATENT DOCUMENTS

4,991,973 A \* 2/1991 Maaz ..... B01F 13/0818  
177/212  
D483,345 S 12/2003 Murakami  
D540,775 S 4/2007 Zhang  
7,494,267 B2 \* 2/2009 Ware ..... B01F 13/04  
366/274  
D597,211 S 7/2009 Ewing  
D641,586 S 7/2011 Martin  
D649,258 S \* 11/2011 Lev-Ran ..... D24/215  
D684,806 S 6/2013 Nakatani  
D684,807 S 6/2013 Nakatani  
D698,594 S 2/2014 Ishikawa  
D752,235 S 3/2016 Levi  
D765,460 S 9/2016 Akiyama

(Continued)

*Primary Examiner* — Ricky Pham

(74) *Attorney, Agent, or Firm* — Loeb & Loeb LLP

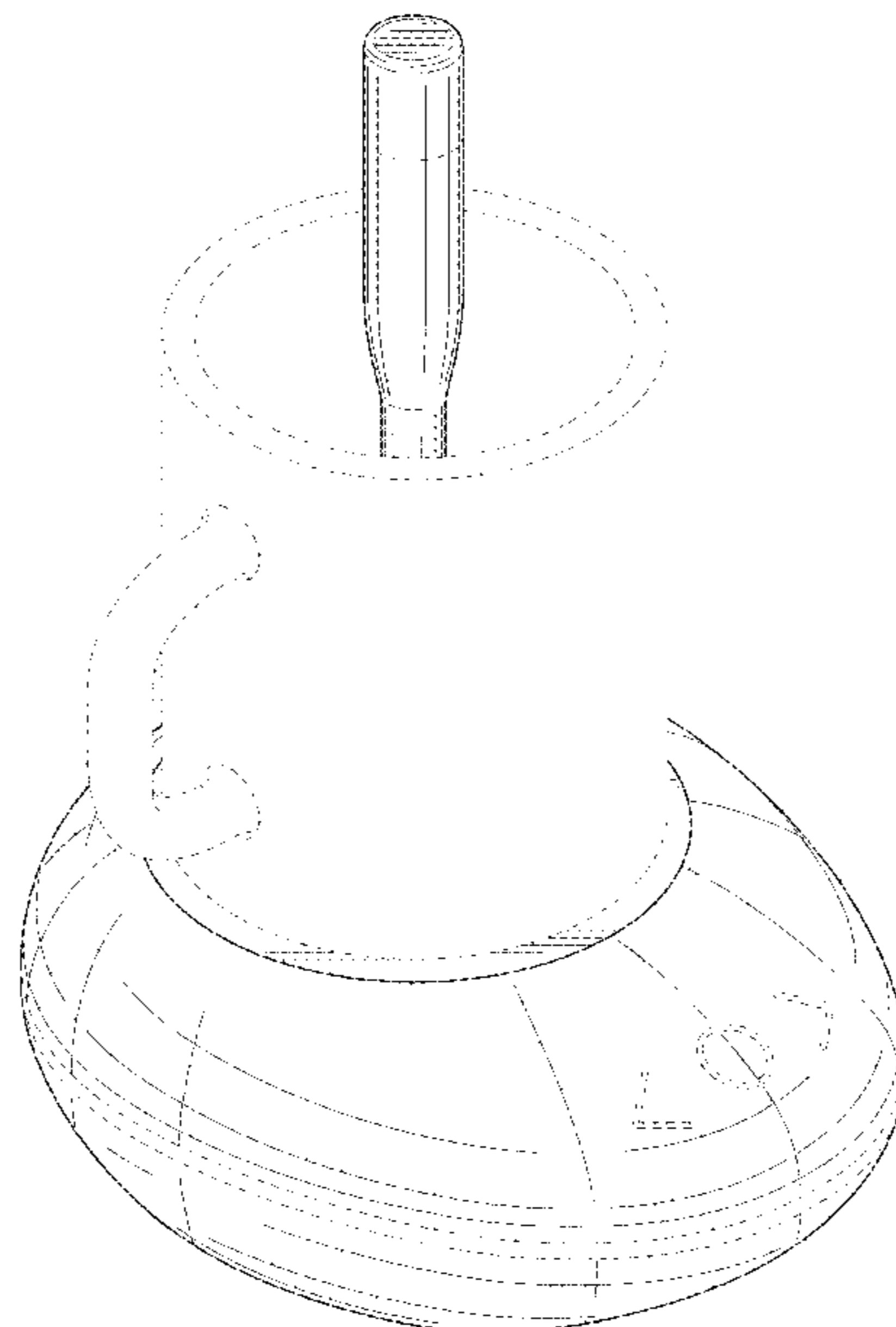
(57) **CLAIM**

The ornamental design for a combined induction hub and immersion heater, as shown and described.

**DESCRIPTION**

FIG. 1 is a perspective view of a combined induction hub and immersion heater showing our new design;  
FIG. 2 is a front elevational view thereof;  
FIG. 3 is a back elevational view thereof;  
FIG. 4 is a right side elevational view thereof;  
FIG. 5 is a left side elevational view thereof;  
FIG. 6 is a top view thereof;  
FIG. 7 is a bottom view thereof;  
FIG. 8 is a perspective view of the combined induction hub and immersion heater of FIG. 1 illustrating use with a mug; and,  
FIG. 9 is a top view thereof.  
The broken lines shown in the drawings are for illustrative purposes only and form no part of the claimed design.

**1 Claim, 9 Drawing Sheets**



(56)

**References Cited**

U.S. PATENT DOCUMENTS

D788,516 S *	6/2017	Jozancy .....	D7/354
D827,830 S *	9/2018	Aidehag .....	D24/164
D836,380 S	12/2018	Choi	
D844,368 S	4/2019	Choi	
D862,973 S	10/2019	Miyawaki	
D863,863 S *	10/2019	Chiofolo .....	D7/354
D888,346 S *	6/2020	Jiang .....	D30/122
D937,034 S *	11/2021	Grienay .....	D7/362
2006/0198767 A1 *	9/2006	Fordham .....	B01L 9/00 422/562

\* cited by examiner

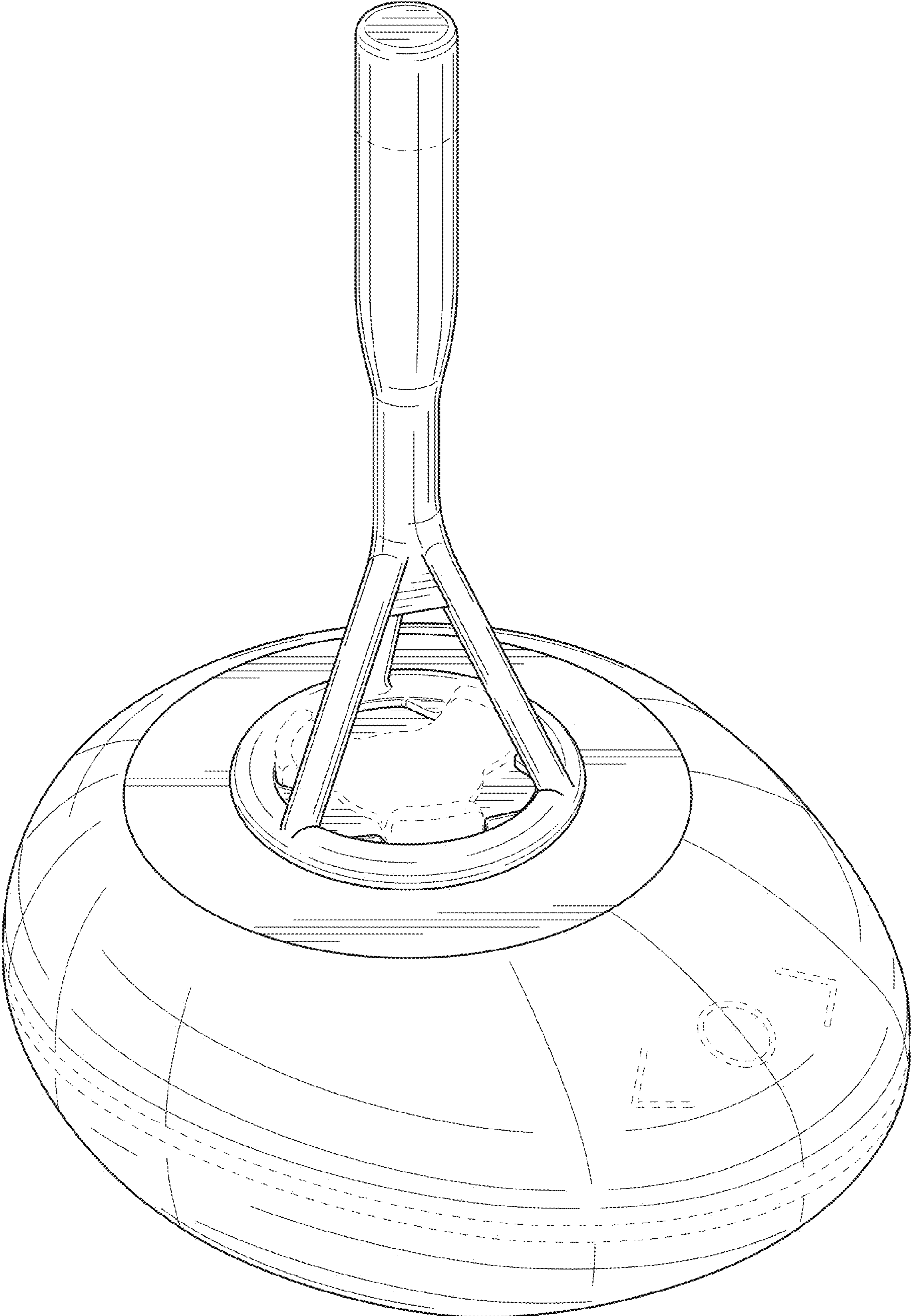


FIG. 1



FIG. 2



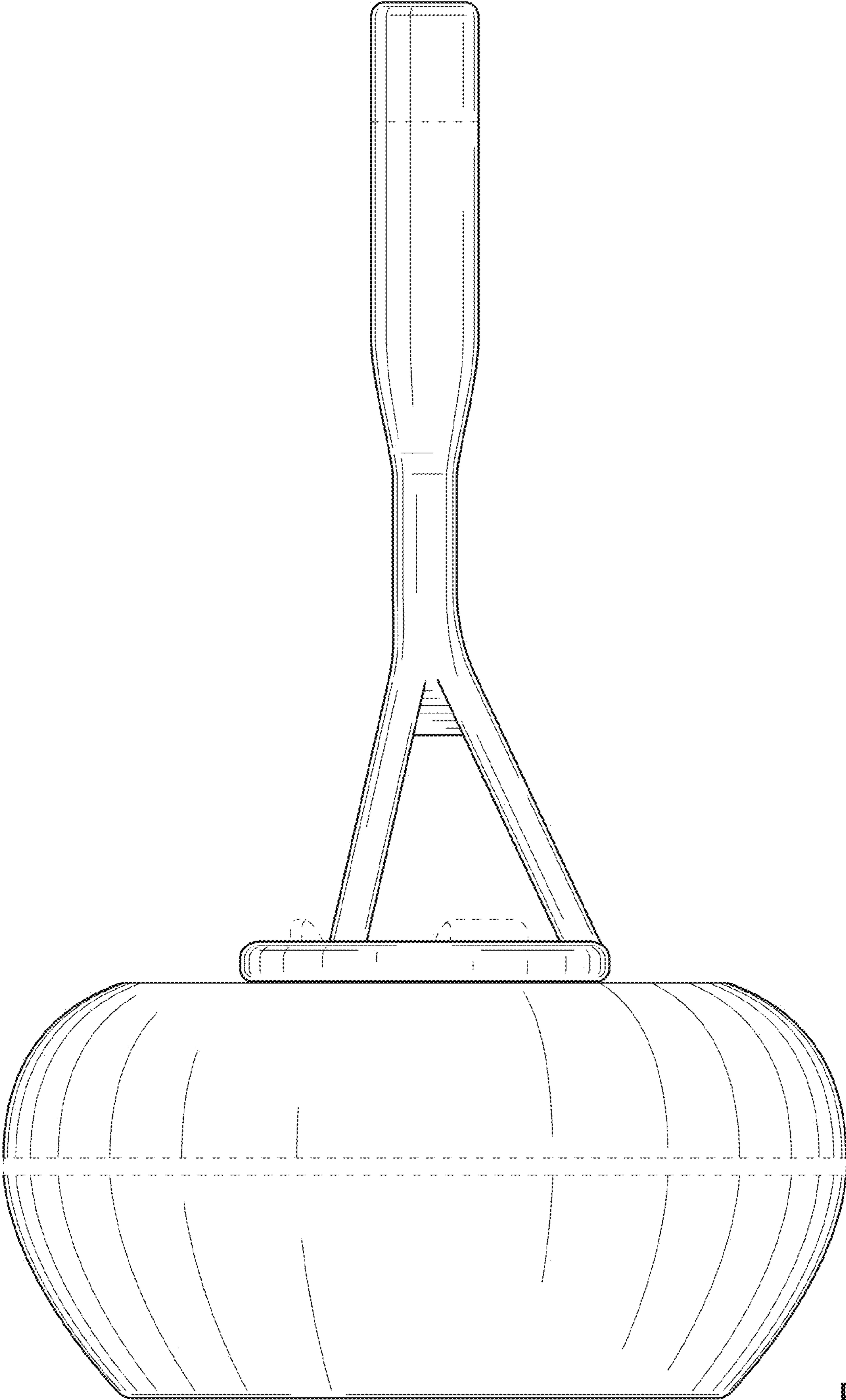


FIG. 3

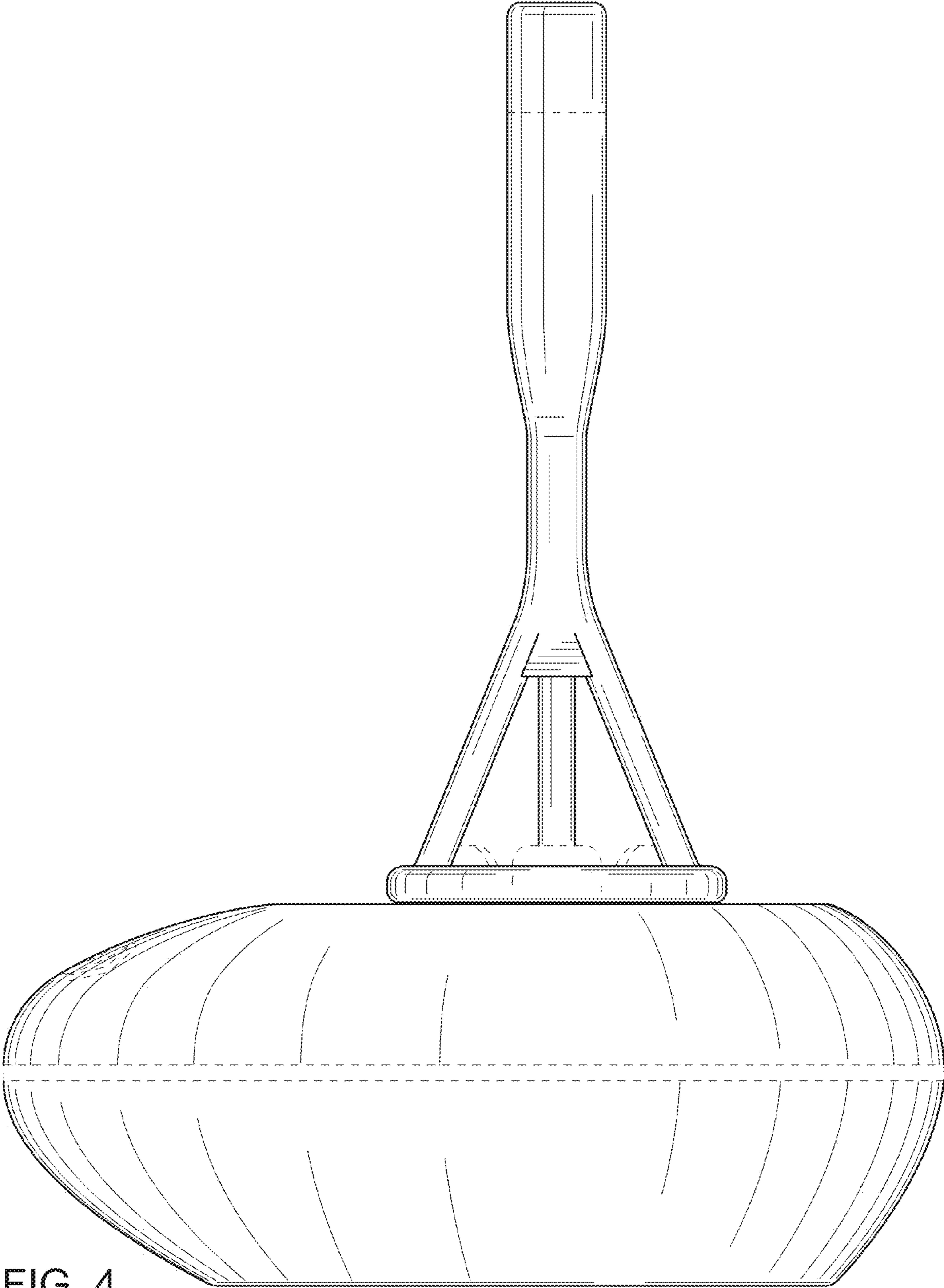


FIG. 4

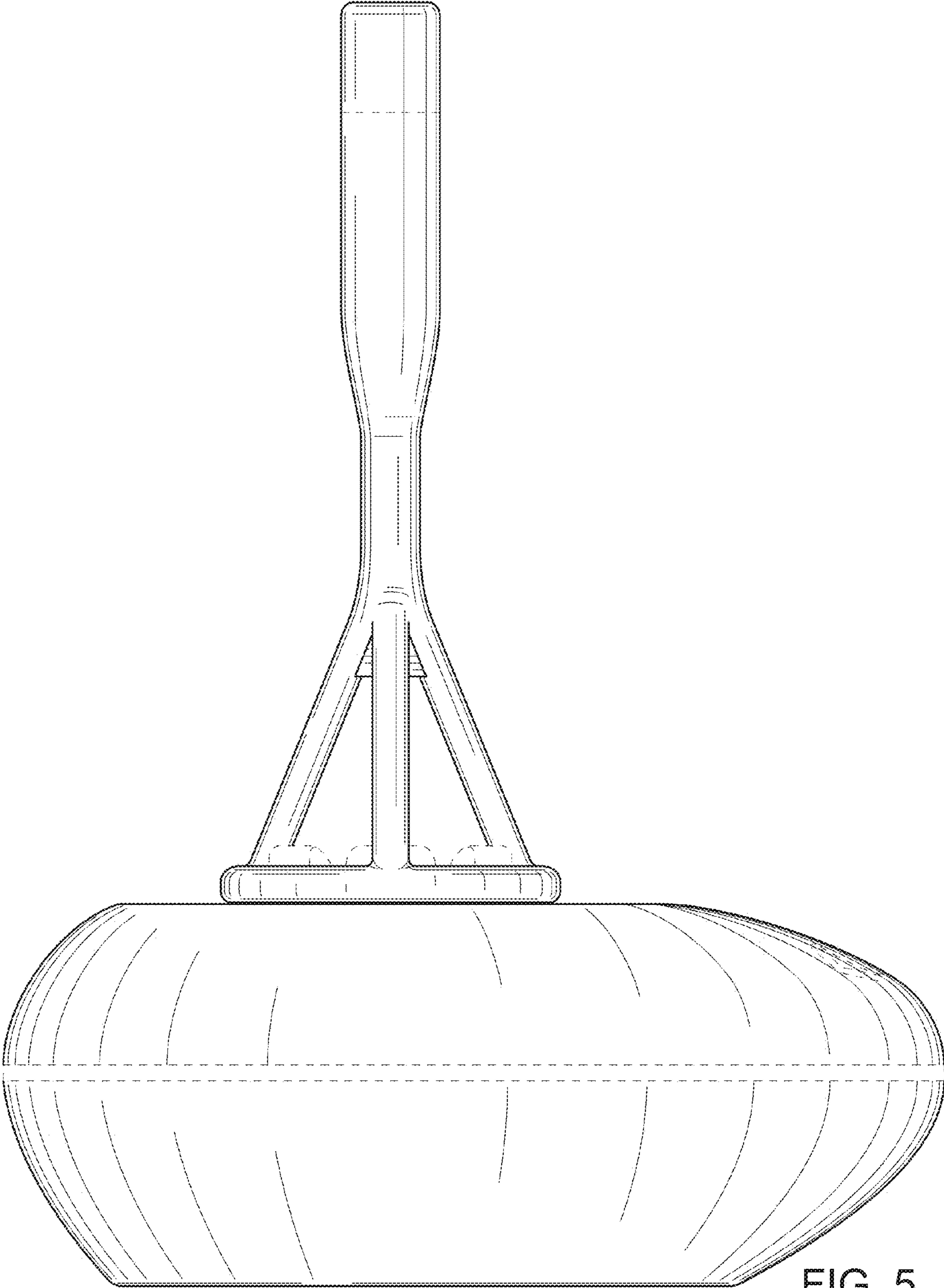


FIG. 5

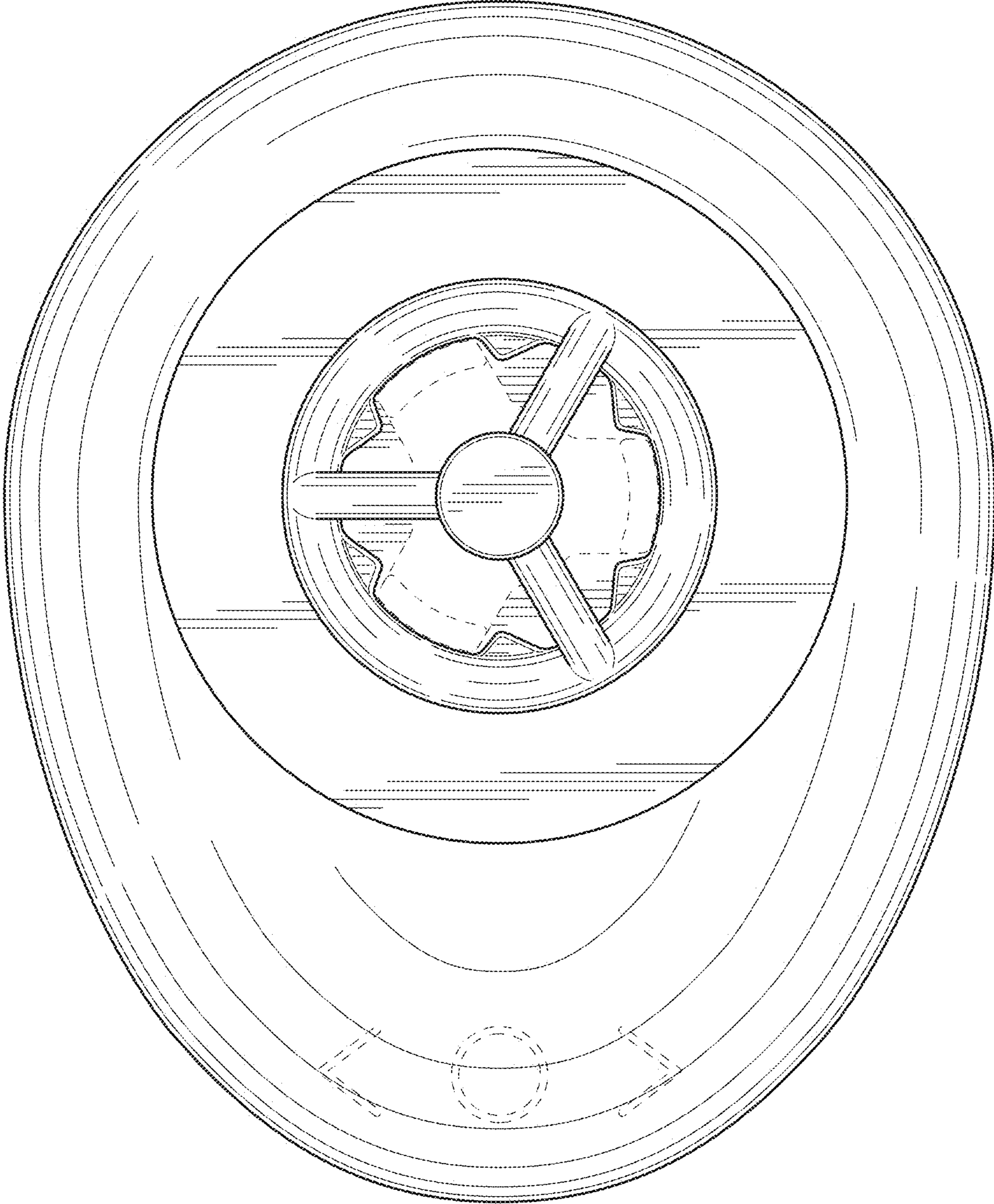


FIG. 6



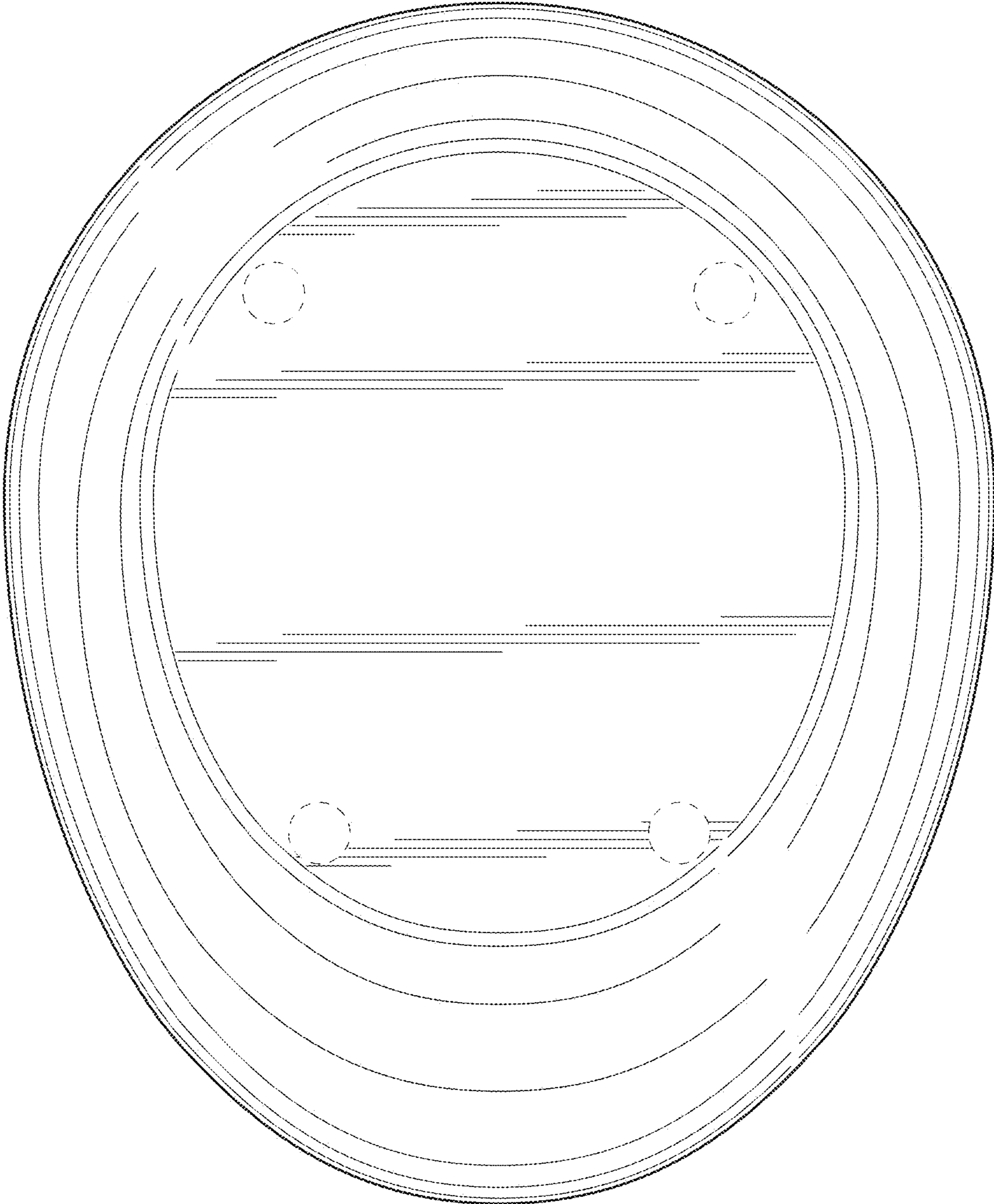


FIG. 7

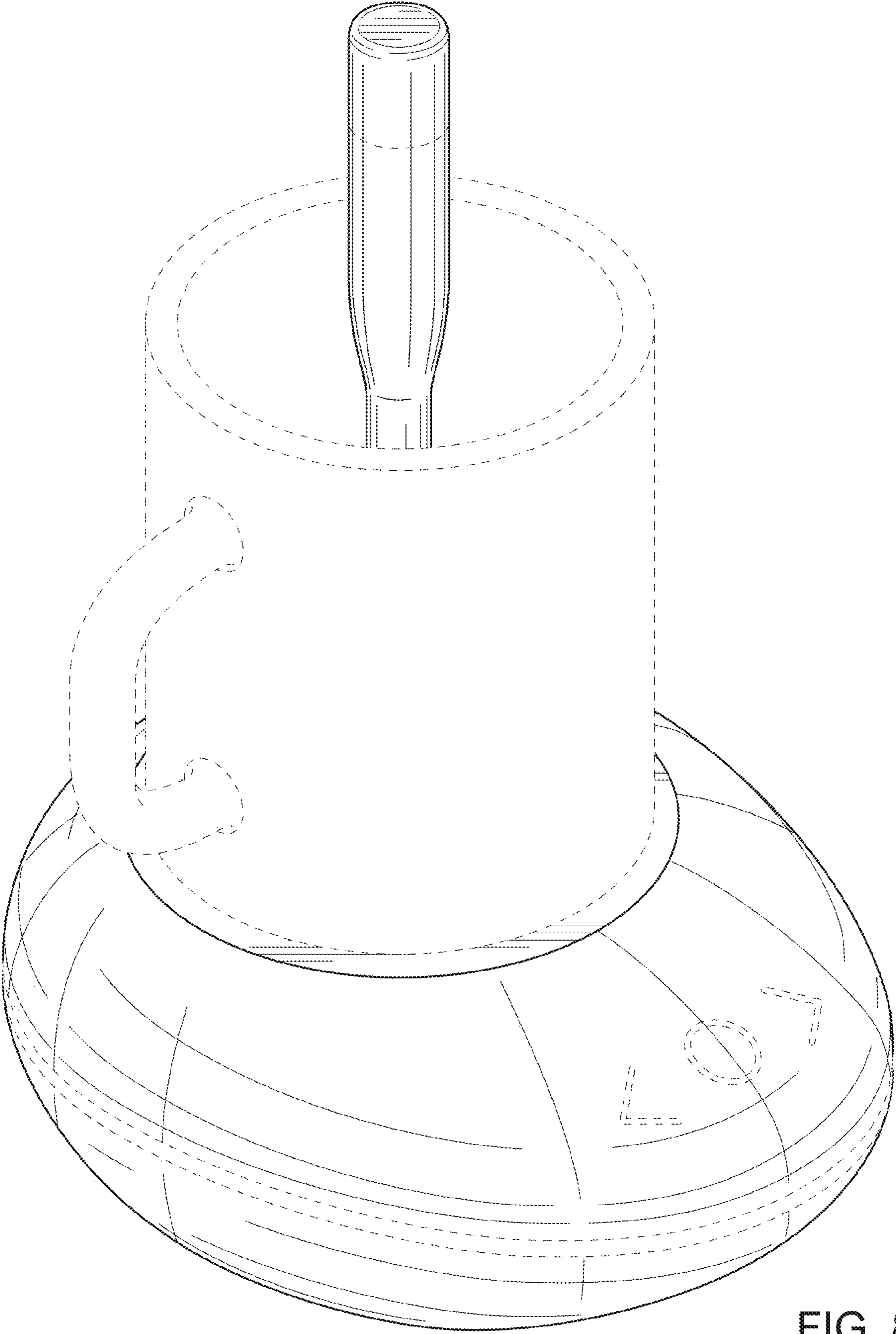


FIG. 8

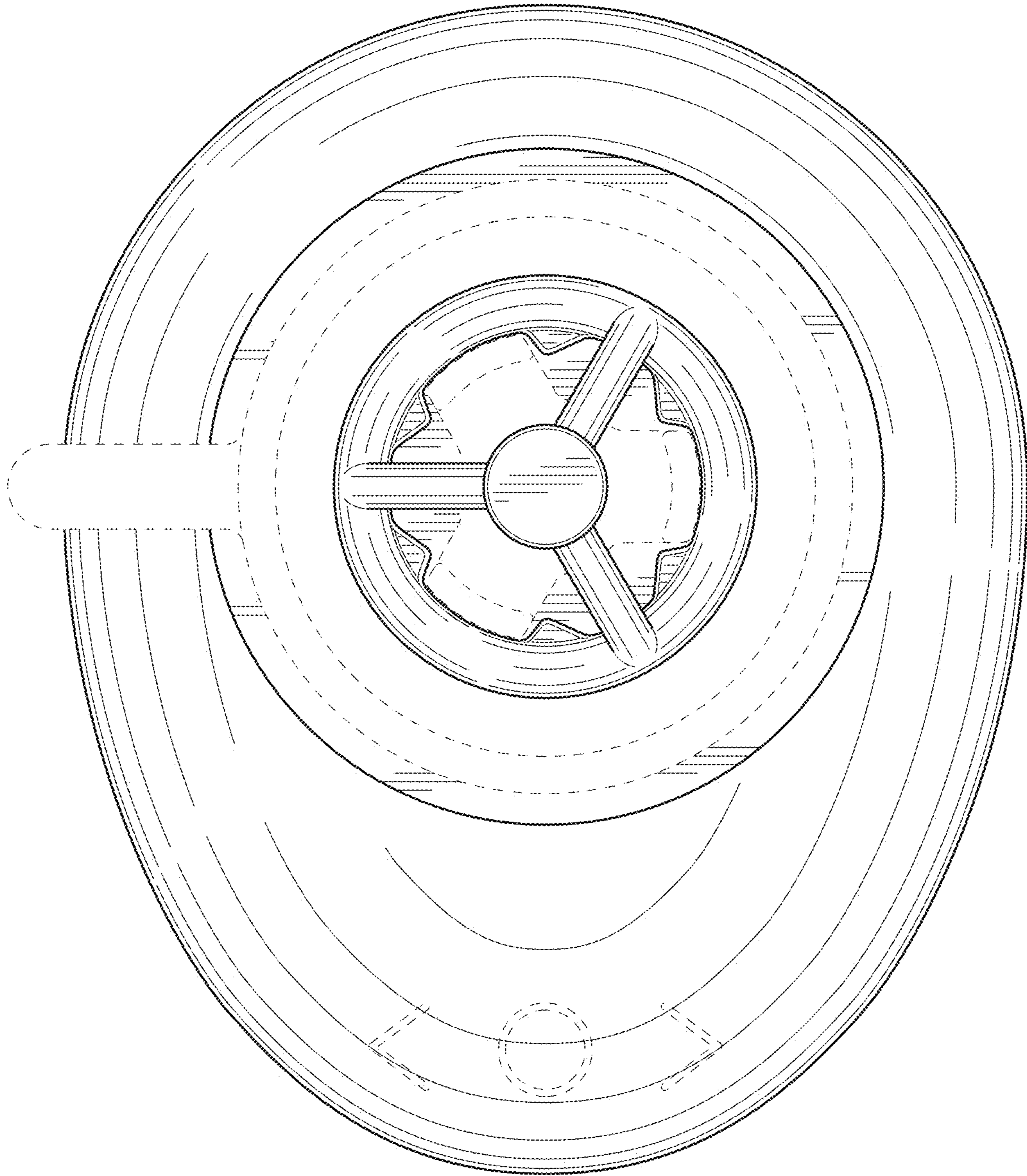


FIG. 9