

US00D950303S

(12) **United States Design Patent**  
**Peterson**

(10) **Patent No.:** **US D950,303 S**

(45) **Date of Patent:** **\*\* May 3, 2022**

- (54) **SMOKER SKILLET WITH LID**
- (71) Applicant: **Lodge Manufacturing Company**,  
South Pittsburg, TN (US)
- (72) Inventor: **Kelly Peterson**, Chattanooga, TN (US)
- (73) Assignee: **Lodge Manufacturing Company**,  
South Pittsburg, TN (US)

6,419,107 B1 \* 7/2002 Cheng ..... A47J 36/08  
220/366.1  
D628,851 S \* 12/2010 Bergne ..... D7/361  
D756,163 S \* 5/2016 Gabbay ..... D7/361  
D794,379 S \* 8/2017 Mejia ..... D7/360  
D802,990 S \* 11/2017 Workman ..... D7/361  
D916,546 S \* 4/2021 Dorion ..... D7/360  
D917,951 S \* 5/2021 Dorion ..... D7/361

- (\*\*) Term: **15 Years**
- (21) Appl. No.: **29/741,133**
- (22) Filed: **Jul. 9, 2020**
- (51) **LOC (13) Cl.** ..... **07-02**
- (52) **U.S. Cl.**  
USPC ..... **D7/361; D7/354**
- (58) **Field of Classification Search**  
USPC ..... D7/323, 354-363, 391, 393-396, 409,  
D7/667; D10/46.2  
CPC ..... A47G 19/12; A47J 27/00; A47J 27/002;  
A47J 27/08; A47J 27/21; A47J 27/58;  
A47J 36/025; A47J 36/06; A47J 36/08;  
A47J 36/12; A47J 37/00; A47J 37/10;  
A47J 37/101; A47J 37/103; A47J 37/12;  
A47J 37/1204; A47J 45/061; A47J  
45/071; A47J 45/08; H05B 6/12  
See application file for complete search history.

(56) **References Cited**  
U.S. PATENT DOCUMENTS

216,346 A \* 6/1879 Read ..... A47J 45/061  
220/771  
RE17,005 E \* 6/1928 Massing ..... A47J 36/06  
222/544  
D85,804 S \* 12/1931 Axford ..... D7/359  
1,970,151 A \* 8/1934 Smith ..... A47J 37/10  
126/390.1  
2,788,561 A \* 4/1957 Mueller ..... F27D 5/00  
D7/361  
D455,315 S \* 4/2002 Cheng ..... D7/354

**OTHER PUBLICATIONS**

Lawei Cast Iron Skillets. Date First Available on Amazon.com Dec. 14, 2019. <https://www.amazon.com/dp/B082R2WP8Y/ref> (Year: 2019).\*

\* cited by examiner

*Primary Examiner* — Ricky Pham

(74) *Attorney, Agent, or Firm* — Alleman Hall Creasman & Tuttle LLP

(57) **CLAIM**

The ornamental design for a smoker skillet with lid, as shown and described.

**DESCRIPTION**

FIG. 1 is a top perspective view of a smoker skillet with lid according to the present invention.

FIG. 2 is a bottom perspective view of the smoker skillet with lid of FIG. 1.

FIG. 3 is a top plan view of the smoker skillet with lid of FIG. 1.

FIG. 4 is a bottom plan view of the smoker skillet with lid of FIG. 1.

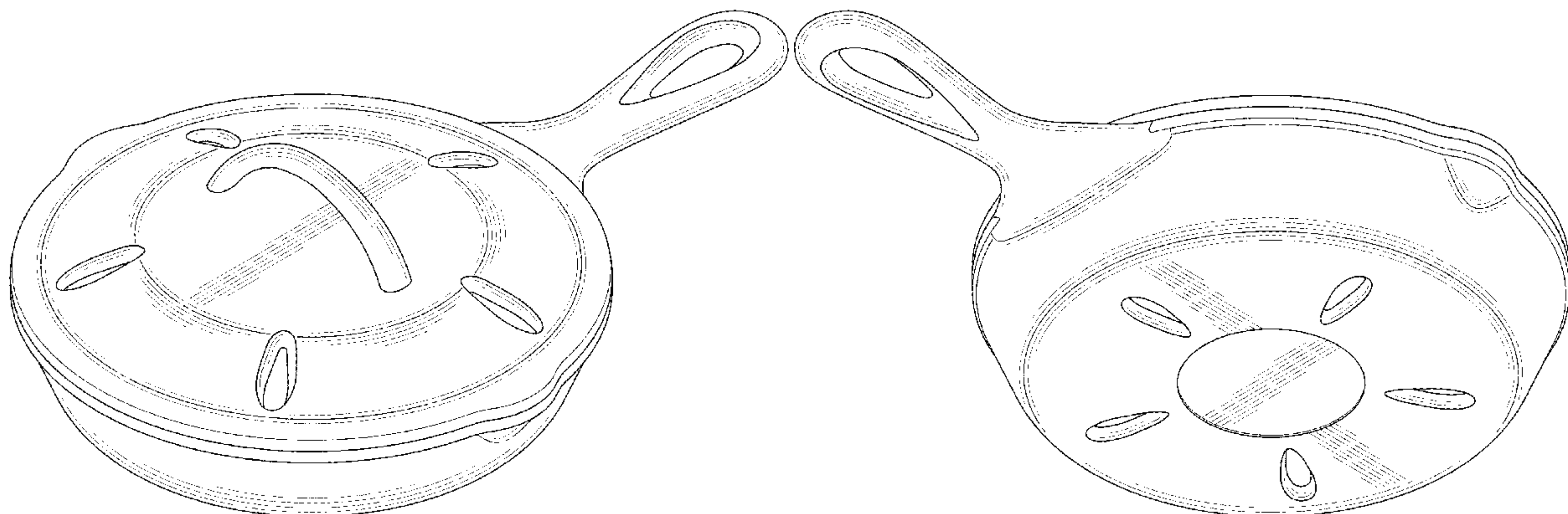
FIG. 5 is a right elevational view of the smoker skillet with lid of FIG. 1.

FIG. 6 is a left elevational view of the smoker skillet with lid of FIG. 1.

FIG. 7 is a front elevational view of the smoker skillet with lid of FIG. 1; and,

FIG. 8 is a rear elevational view of the smoker skillet with lid of FIG. 1.

**1 Claim, 6 Drawing Sheets**



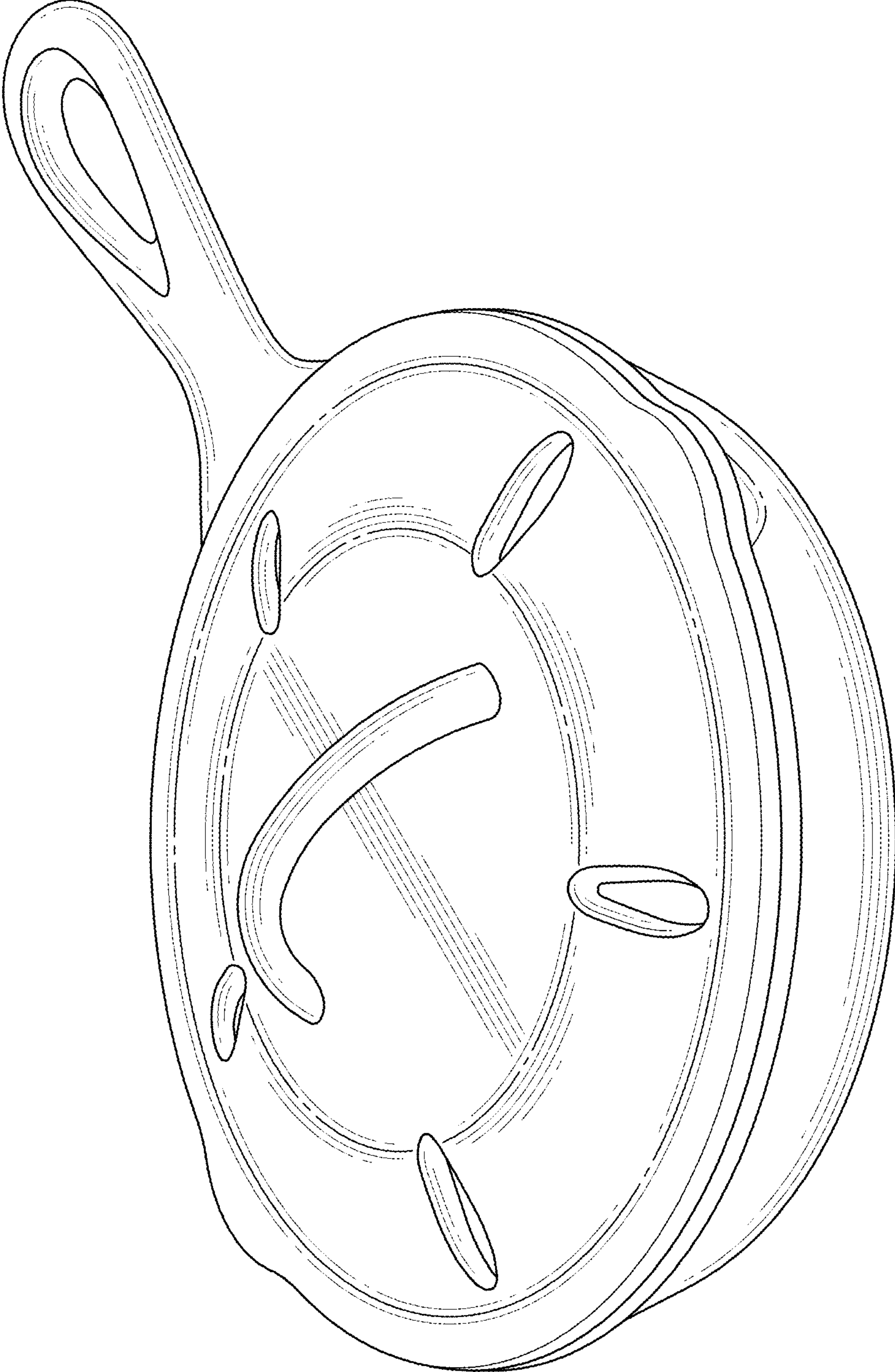


FIG. 1

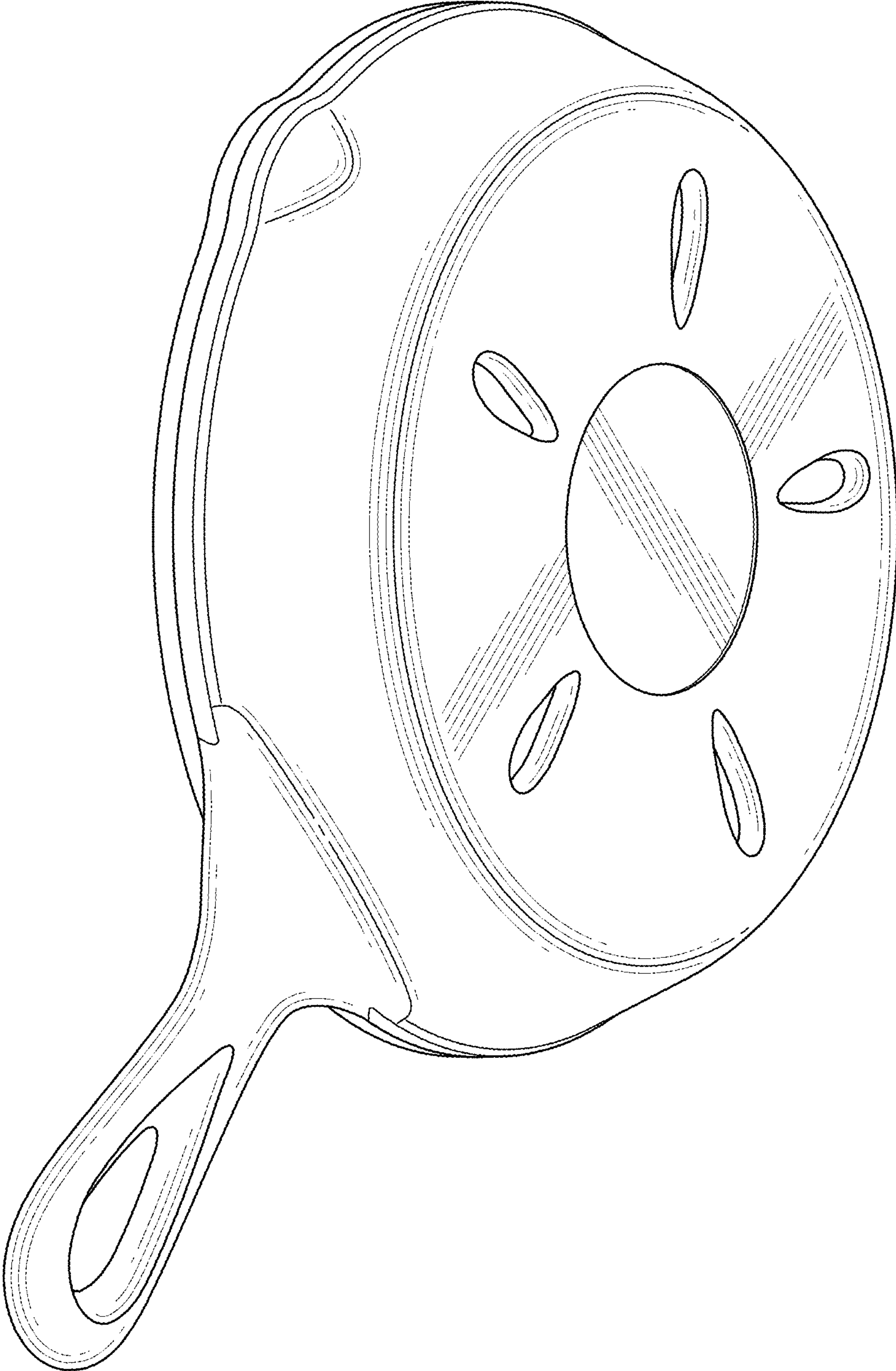


FIG. 2



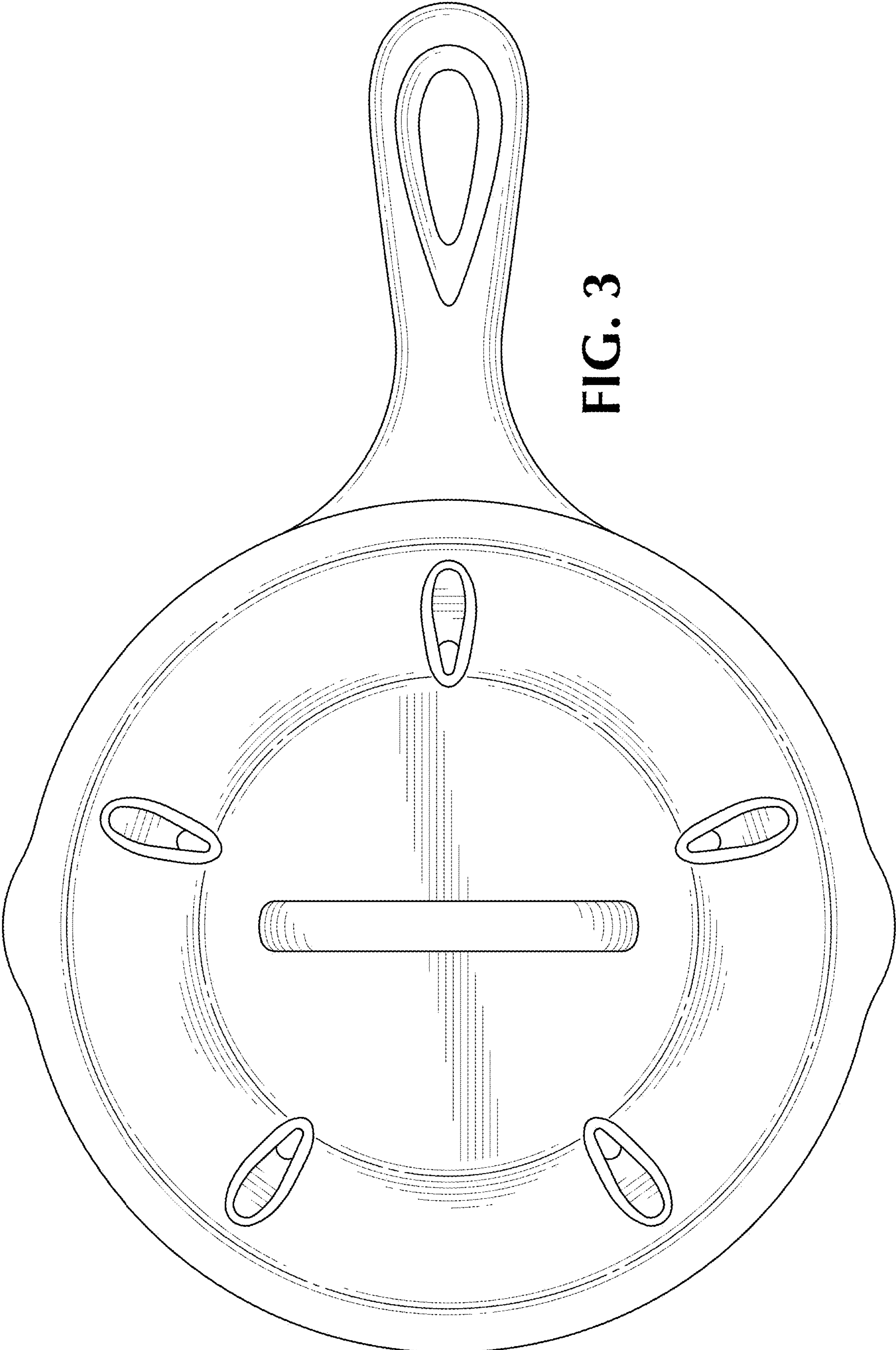


FIG. 3

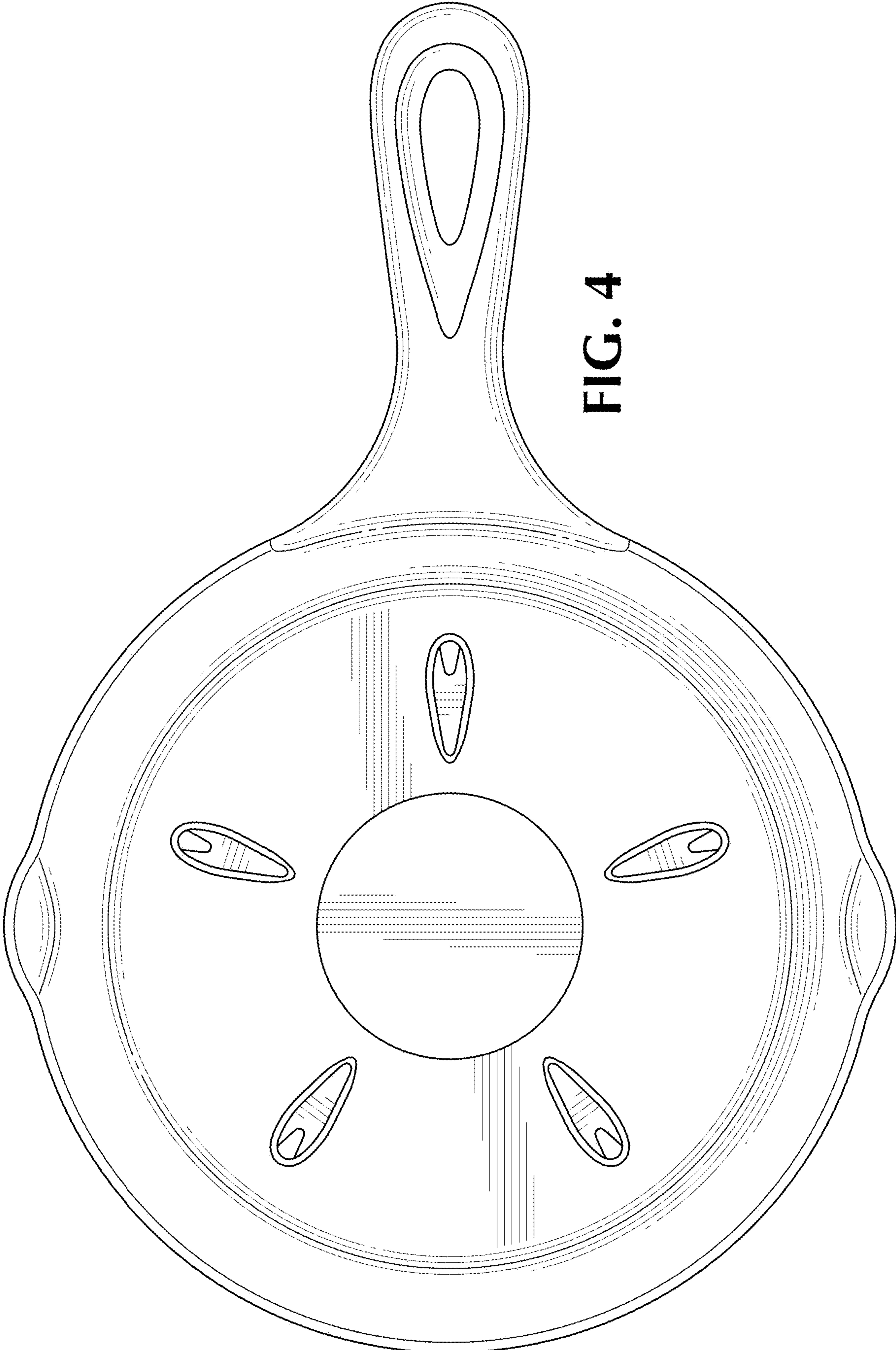


FIG. 4

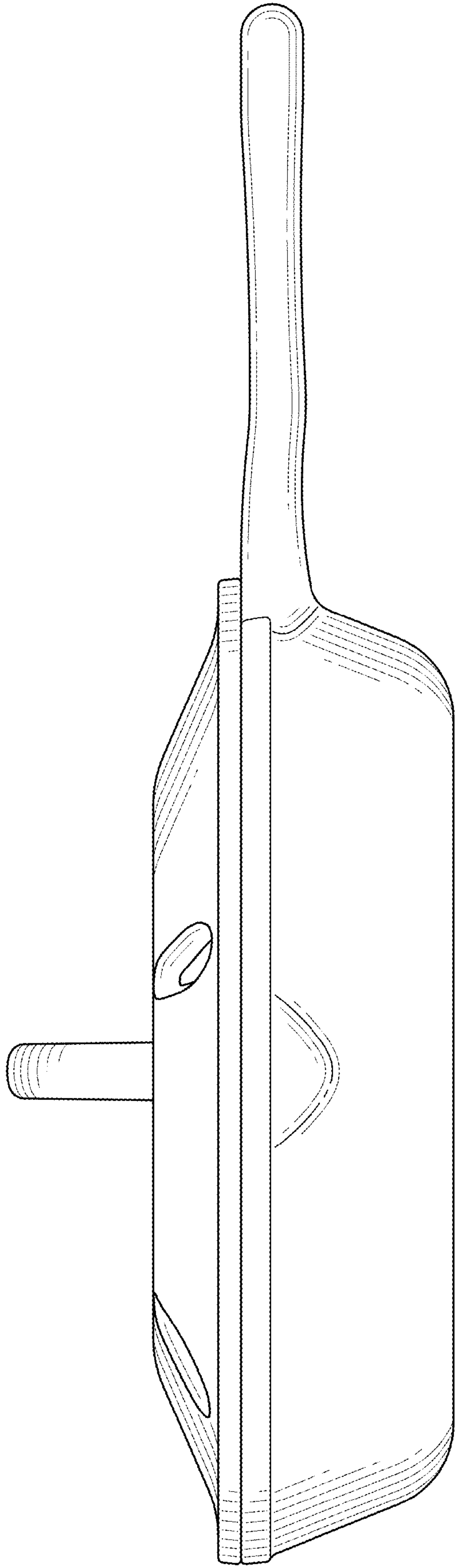


FIG. 5

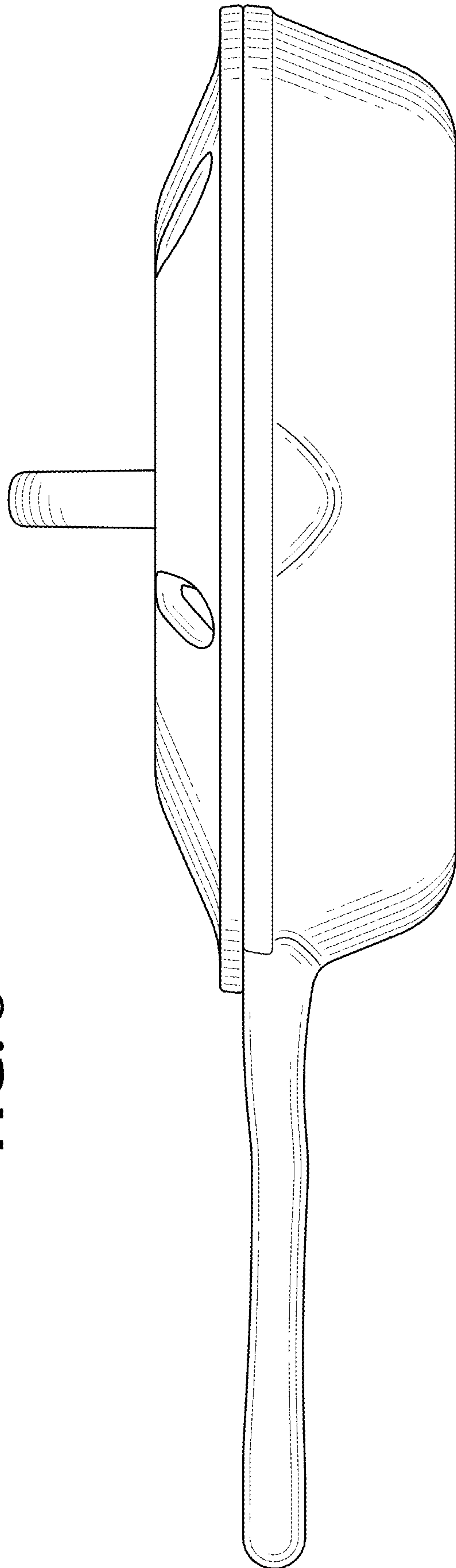
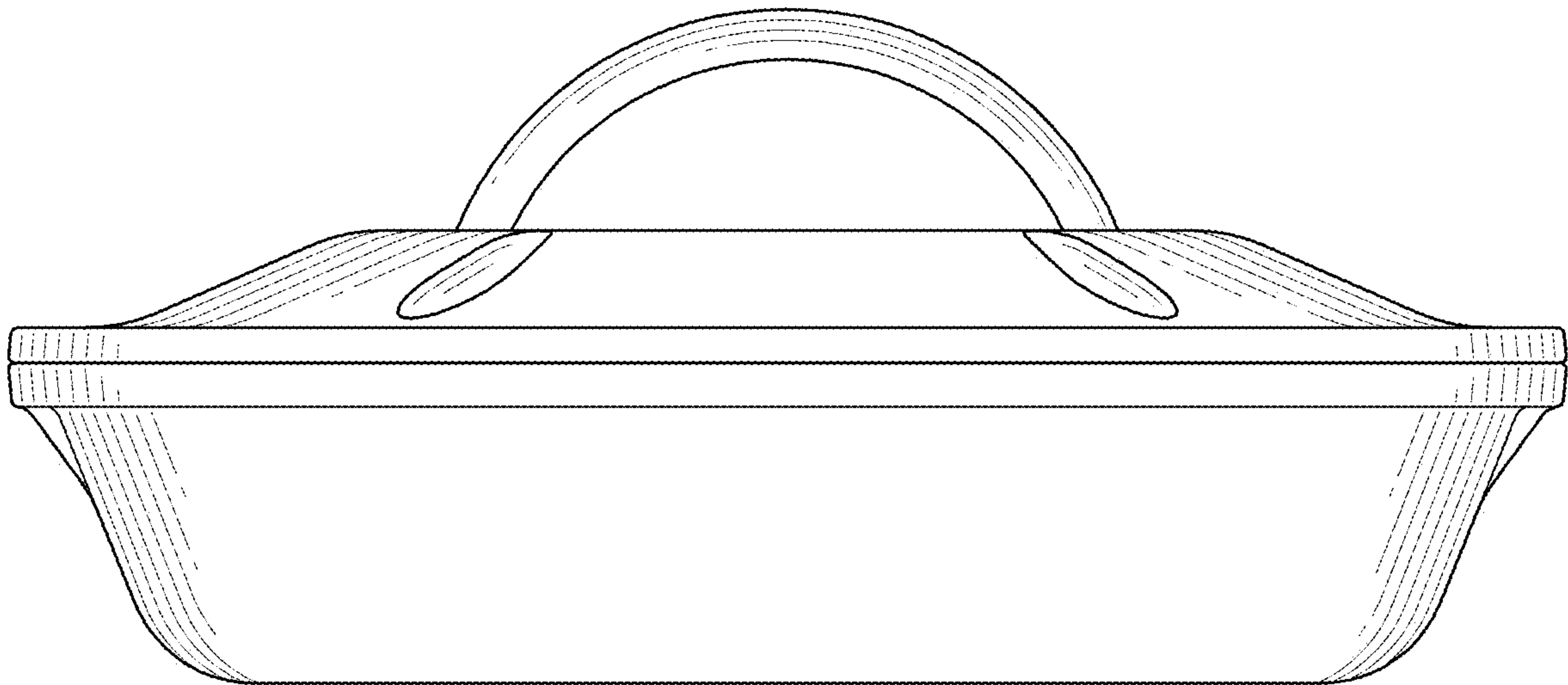
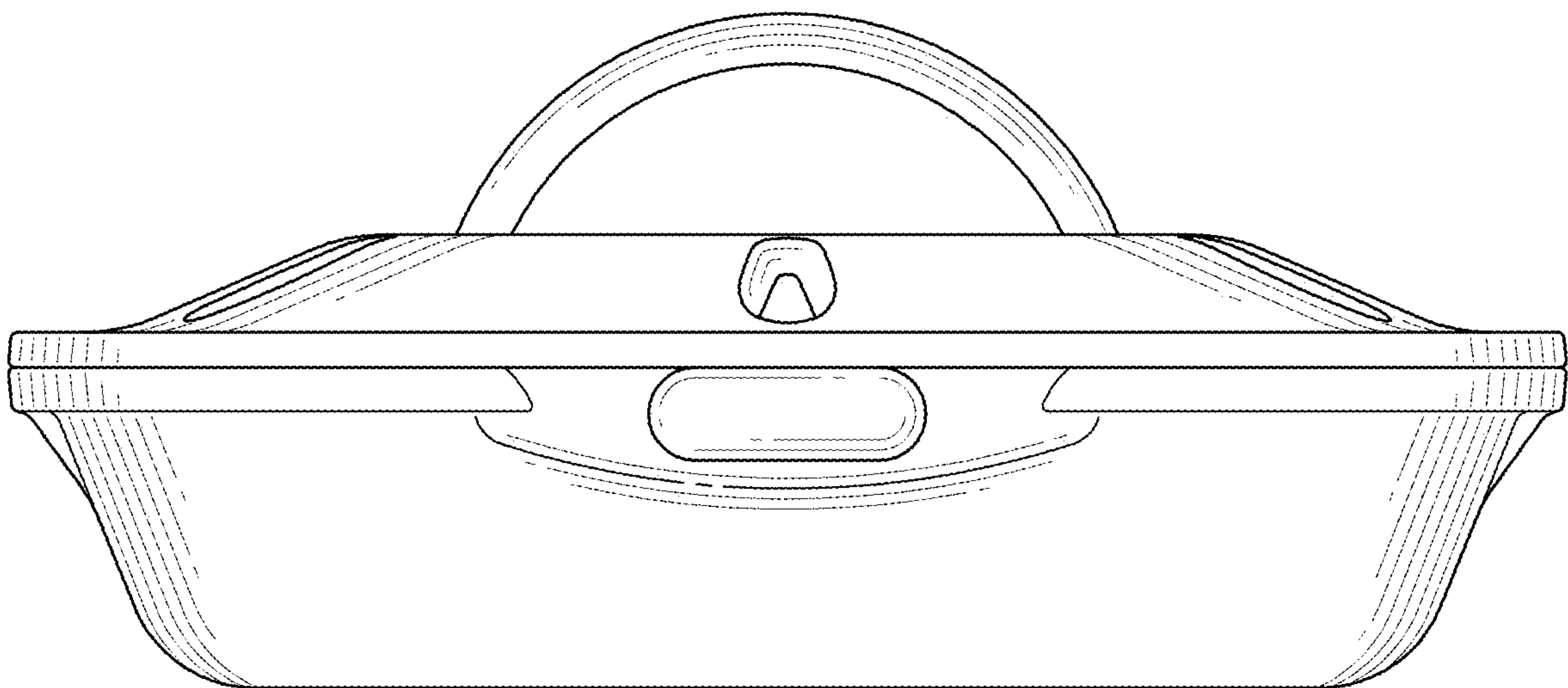


FIG. 6



**FIG. 7**



**FIG. 8**