



US00D950300S

(12) **United States Design Patent** (10) **Patent No.:** **US D950,300 S**
Guillermo et al. (45) **Date of Patent:** **** May 3, 2022**

(54) **EGG COOKING PAN**

(71) Applicant: **Cargill, Incorporated**, Wayzata, MN (US)

(72) Inventors: **Paraluman B. Guillermo**, Maple Grove, MN (US); **Noah R. Klamm**, Monticello, MN (US)

(73) Assignee: **Cargill, Incorporated**, Wayzata, MN (US)

(**) Term: **15 Years**

(21) Appl. No.: **29/748,143**

(22) Filed: **Aug. 27, 2020**

(51) **LOC (13) Cl.** **07-02**

(52) **U.S. Cl.**
USPC **D7/354**

(58) **Field of Classification Search**
USPC D7/323, 354–361, 543, 545, 549, 550.1, D7/553.1–553.8, 554.1–554.4, 555, 584, D7/586, 611, 676; D9/430–433, D9/455–456, 737, 756–762
CPC A21B 3/00; A21B 3/13; A21B 3/15; A21B 3/134; A21B 5/00; A21B 5/02; A47J 36/022; A47J 36/025; A47J 36/027; A47J 37/00; A47J 37/04; B65D 1/22; B65D 1/24; B65D 1/34; B65D 1/36; B65D 81/343; B65D 85/36

See application file for complete search history.

(56) **References Cited**

U.S. PATENT DOCUMENTS

D829,063 S *	9/2018	Goulet Dubois	D7/676
D844,398 S *	4/2019	Goulet Dubois	D7/676
D882,345 S *	4/2020	Mor	D7/611
D898,504 S *	10/2020	Huckestein	D7/357
D910,364 S *	2/2021	Huckestein	D7/357
D934,637 S *	11/2021	McNamara	D7/676

OTHER PUBLICATIONS

Olen Quiche Pan Mini Tart Pan. Date First Available on Amazon.com Apr. 30, 2019. <https://www.amazon.com/dp/B07R8YXNNV/ref> (Year: 2019).*

* cited by examiner

Primary Examiner — Ricky Pham

(57) **CLAIM**

The ornamental design for an egg cooking pan, as shown and described.

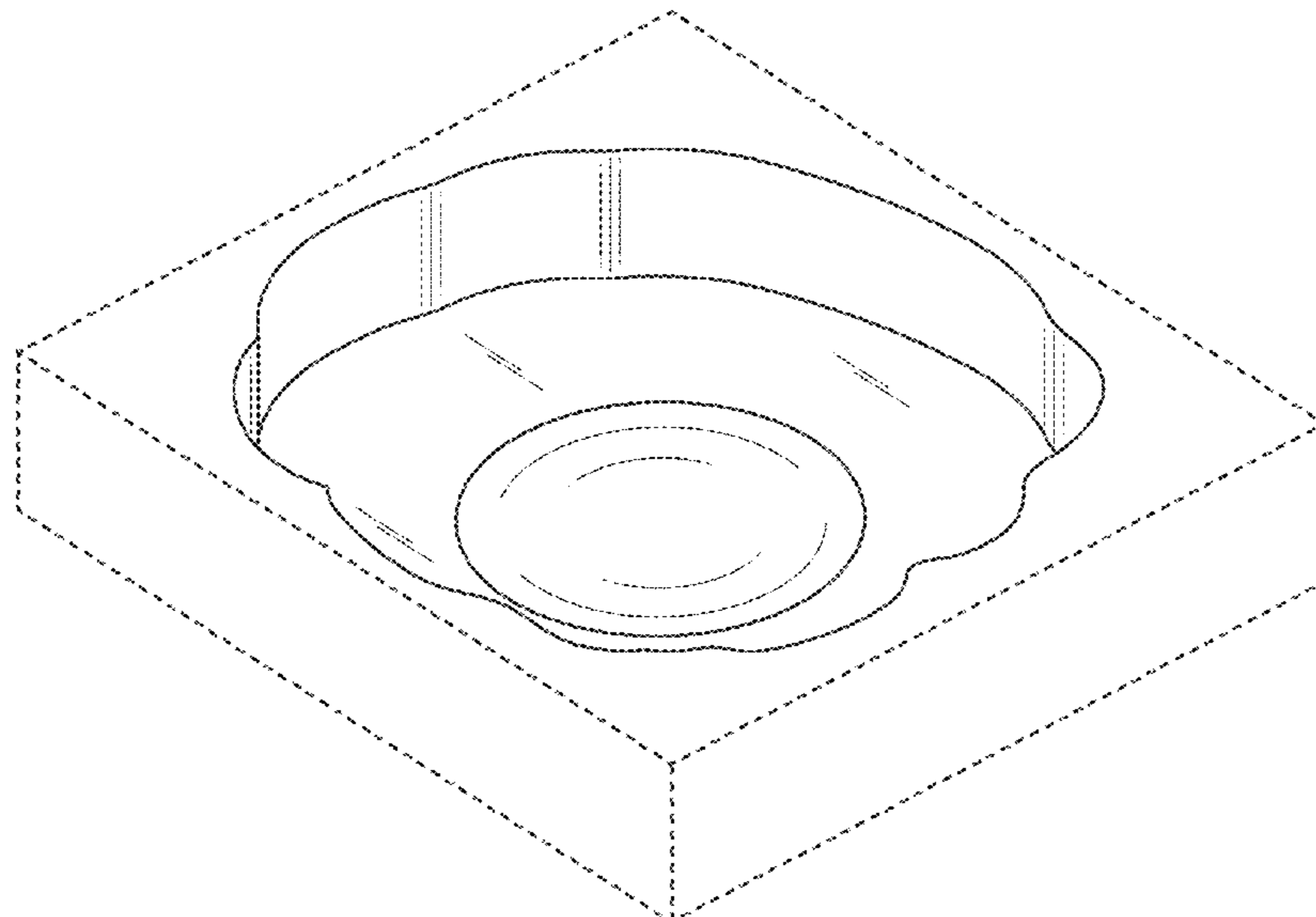
DESCRIPTION

FIG. 1 is a perspective view of a first embodiment of an egg cooking pan of our new design; FIG. 2 is a top plan view of the egg cooking pan of FIG. 1; FIG. 3 is a left side view of the egg cooking pan of FIG. 1; the right side view being identical thereto; and FIG. 4 is a front view of the egg cooking pan of FIG. 1; the rear view being identical thereto; wherein the bottom of the egg cooking pan of FIG. 1 is flat and unornamented.

FIG. 5 is a perspective view of a second embodiment of an egg cooking pan of our new design; FIG. 6 is a top plan view of the egg cooking pan of FIG. 5; FIG. 7 is a left side view of the egg cooking pan of FIG. 5, the right side view being identical thereto; and, FIG. 8 is a front view of the egg cooking pan of FIG. 5, the rear view being identical thereto; wherein the bottom of the egg cooking pan of FIG. 5 is flat and unornamented.

The broken line portions of the drawings are for illustrative and/or environment purposes only and form no part of the claimed designs.

1 Claim, 6 Drawing Sheets



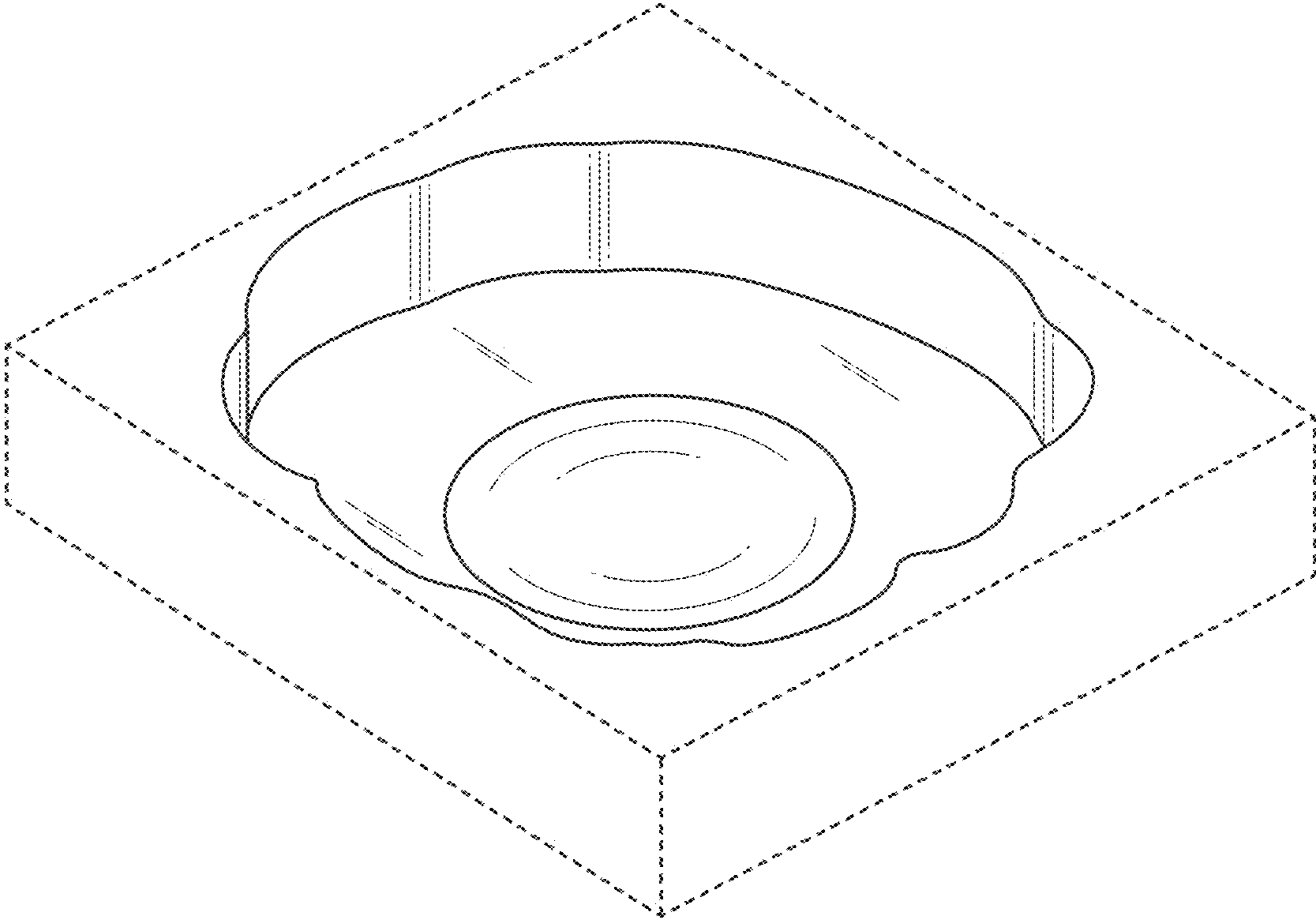


Fig. 1

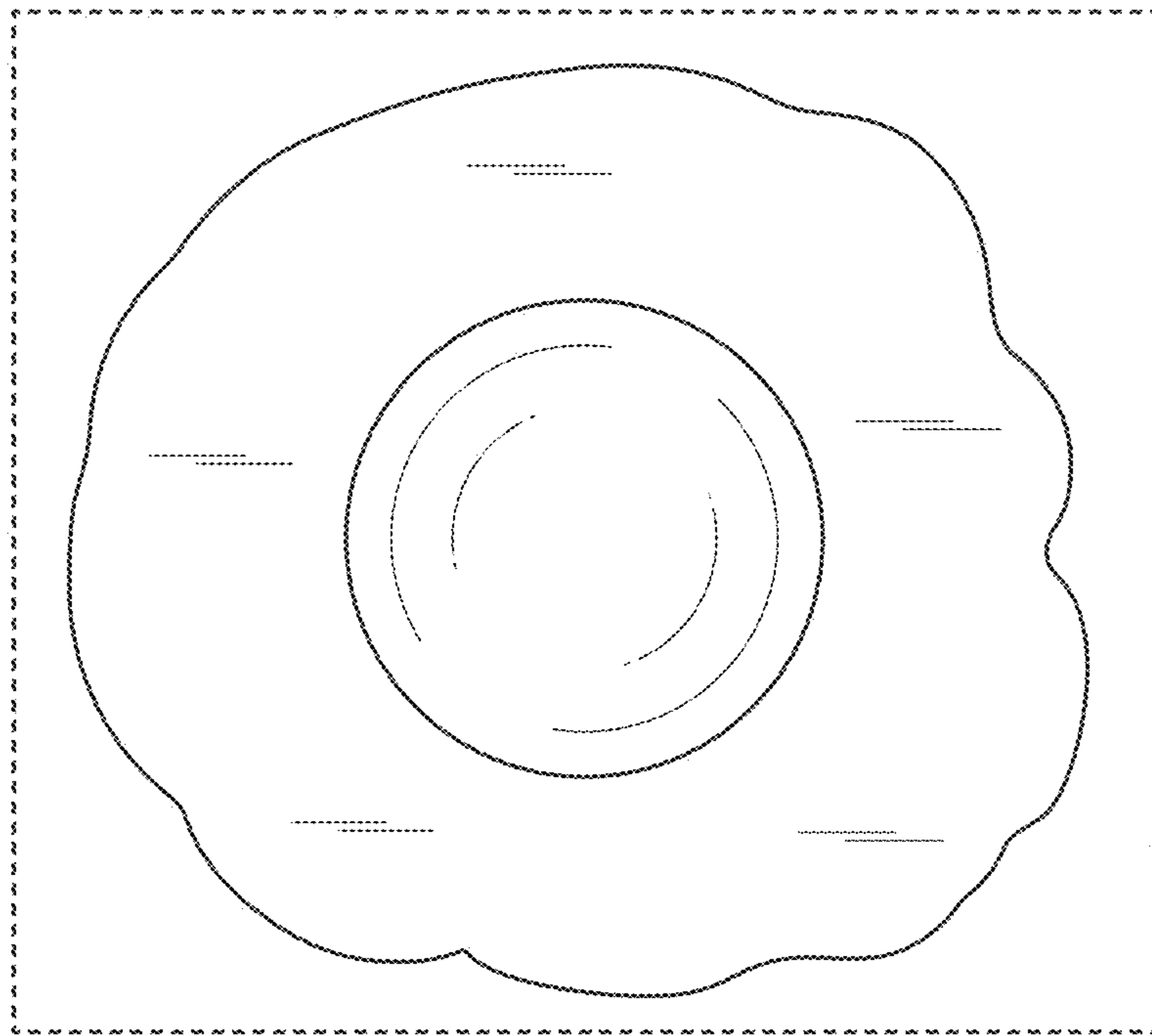


Fig. 2



Fig. 3



Fig. 4

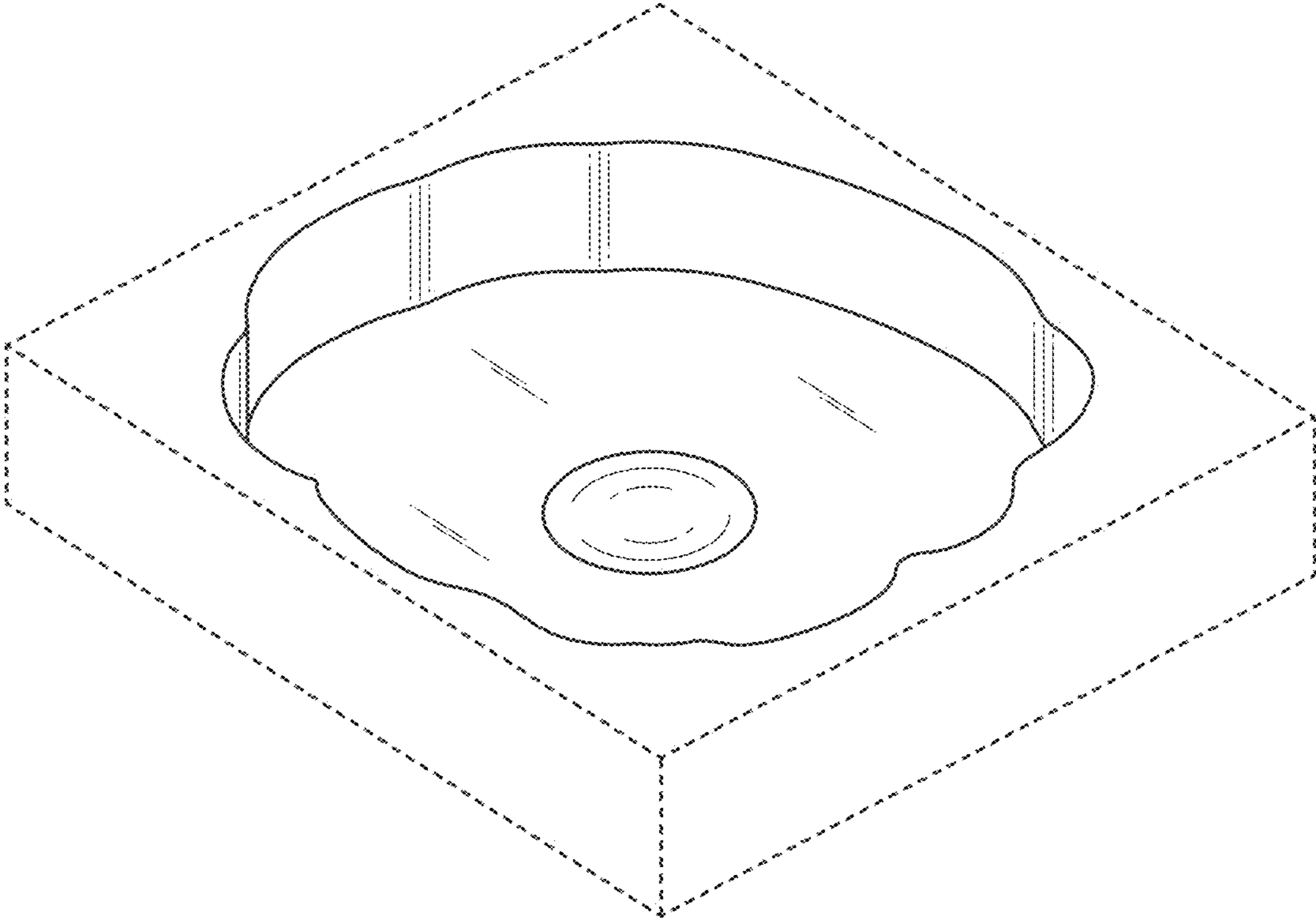


Fig. 5

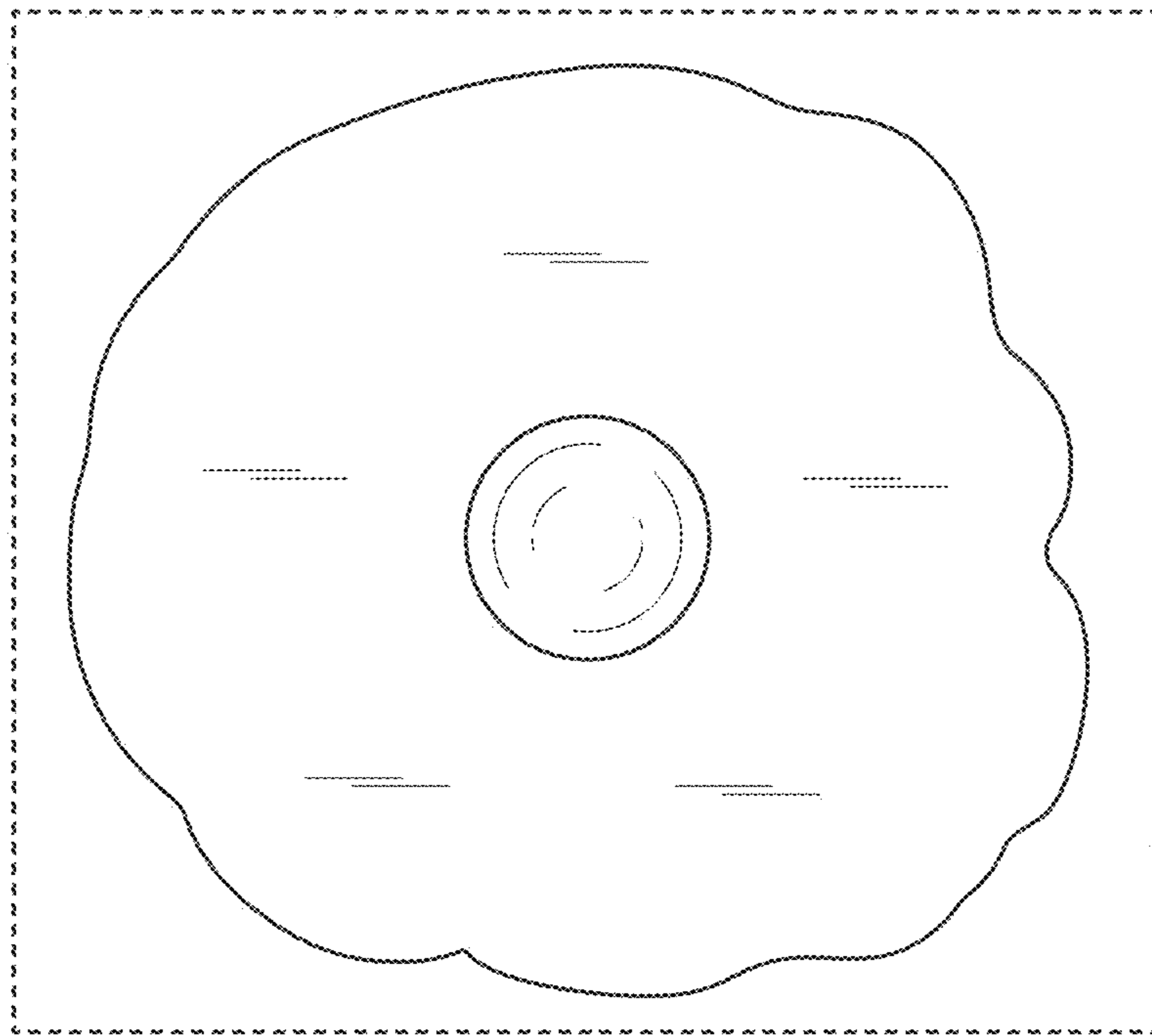


Fig. 6



Fig. 7



Fig. 8