



US00D950299S

(12) **United States Design Patent**
Kaylor et al.

(10) **Patent No.:** **US D950,299 S**
(45) **Date of Patent:** **** May 3, 2022**

- (54) **COMBINATION COOKTOP AND MICROWAVE**
- (71) Applicant: **Way Interglobal Network, LLC**,
Elkhart, IN (US)
- (72) Inventors: **Wayne Kaylor**, White Pigeon, MI
(US); **Chris Greer**, Syracuse, IN (US)
- (**) Term: **15 Years**
- (21) Appl. No.: **29/760,414**
- (22) Filed: **Dec. 1, 2020**
- (51) **LOC (13) Cl.** **07-02**
- (52) **U.S. Cl.**
USPC **D7/340**
- (58) **Field of Classification Search**
USPC D7/323, 328, 229, 331, 332, 336-341,
D7/346-348, 352, 362, 365, 402,
D7/407-409, 416; D21/523-525;
D23/397, 402, 415; D99/331
CPC .. F24C 3/00; F24C 3/002; F24C 3/008; F24C
5/00; F24C 7/00; F24C 7/002; F24C
7/046; F24C 7/067; F24C 15/02; F24C
15/024; F24C 15/04; F24C 15/10; F24C
15/102; F24C 15/107; H05B 1/0261;
H05B 1/0263; H05B 1/0266
See application file for complete search history.

D909,806 S * 2/2021 Hu D7/350.1
D920,027 S * 5/2021 Harrell D7/346
D931,675 S * 9/2021 Bock D7/350.1

OTHER PUBLICATIONS

Camp Chef Outdoor Camp Oven, first available Nov. 2, 2012, [site visited Dec. 21, 2021], available from online URL: <https://www.amazon.com/Camp-Chef-Outdoor-Oven/dp/B0013LLSZG> (Year: 2012).*

(Continued)

Primary Examiner — Andrew Kerr
Assistant Examiner — Chariton Alexakis

(57) **CLAIM**

The ornamental design for a combination cooktop and microwave, as shown and described.

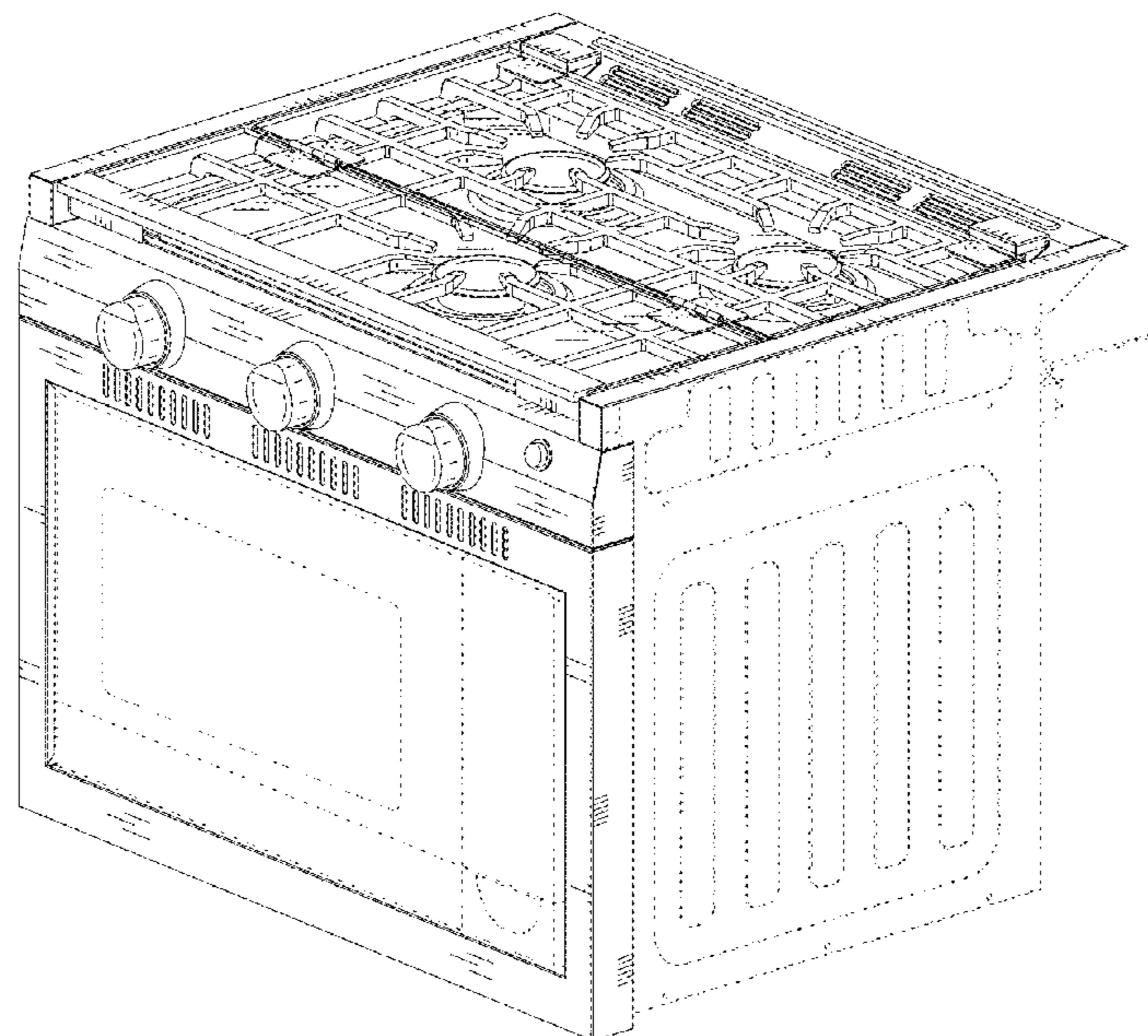
DESCRIPTION

FIG. 1 is a front perspective view of a combination cooktop and microwave;
FIG. 2 is a rear perspective view of the combination cooktop and microwave of FIG. 1;
FIG. 3 is a front view of the combination cooktop and microwave of FIG. 1;
FIG. 4 is a rear view of the combination cooktop and microwave of FIG. 1;
FIG. 5 is a top view of the combination cooktop and microwave of FIG. 1;
FIG. 6 is a bottom view of the combination cooktop and microwave of FIG. 1;
FIG. 7 is a right side view of the combination cooktop and microwave; and,
FIG. 8 is a left side view of the combination cooktop and microwave.
The broken lines depict portions of the combination cooktop and microwave that form no part of the claimed design.

1 Claim, 8 Drawing Sheets

(56) **References Cited**
U.S. PATENT DOCUMENTS

D275,642 S *	9/1984	Kenichi	D7/351
D468,579 S *	1/2003	Sakai	D7/351
D599,608 S *	9/2009	Grumm	D7/340
D645,293 S *	9/2011	Busalt	D7/349
D851,978 S *	6/2019	Bell	D7/340
10,527,292 B2 *	1/2020	Bell	F24C 15/30
D907,951 S *	1/2021	Bell	D7/349



(56)

References Cited

OTHER PUBLICATIONS

RecPro RV Stove | Gas Range, first available Feb. 26, 2020, [site visited Dec. 21, 2021], available from online URL: https://www.amazon.com/dp/B0854R9PQ6/ref=cm_sw_em_r_mt_dp_34C77TK02R0ZTBXHXPDF (Year: 2020).*

Furrion F1S17L03A-BL 2-in-1 Gas Range Oven, first available Jan. 21, 2021, [site visited Dec. 21, 2021], available from online URL: https://www.amazon.com/dp/B08XY42SK9/ref=cm_sw_em_r_mt_dp_Q5KXCCXG9HTY2BW0NBV6 (Year: 2021).*

* cited by examiner

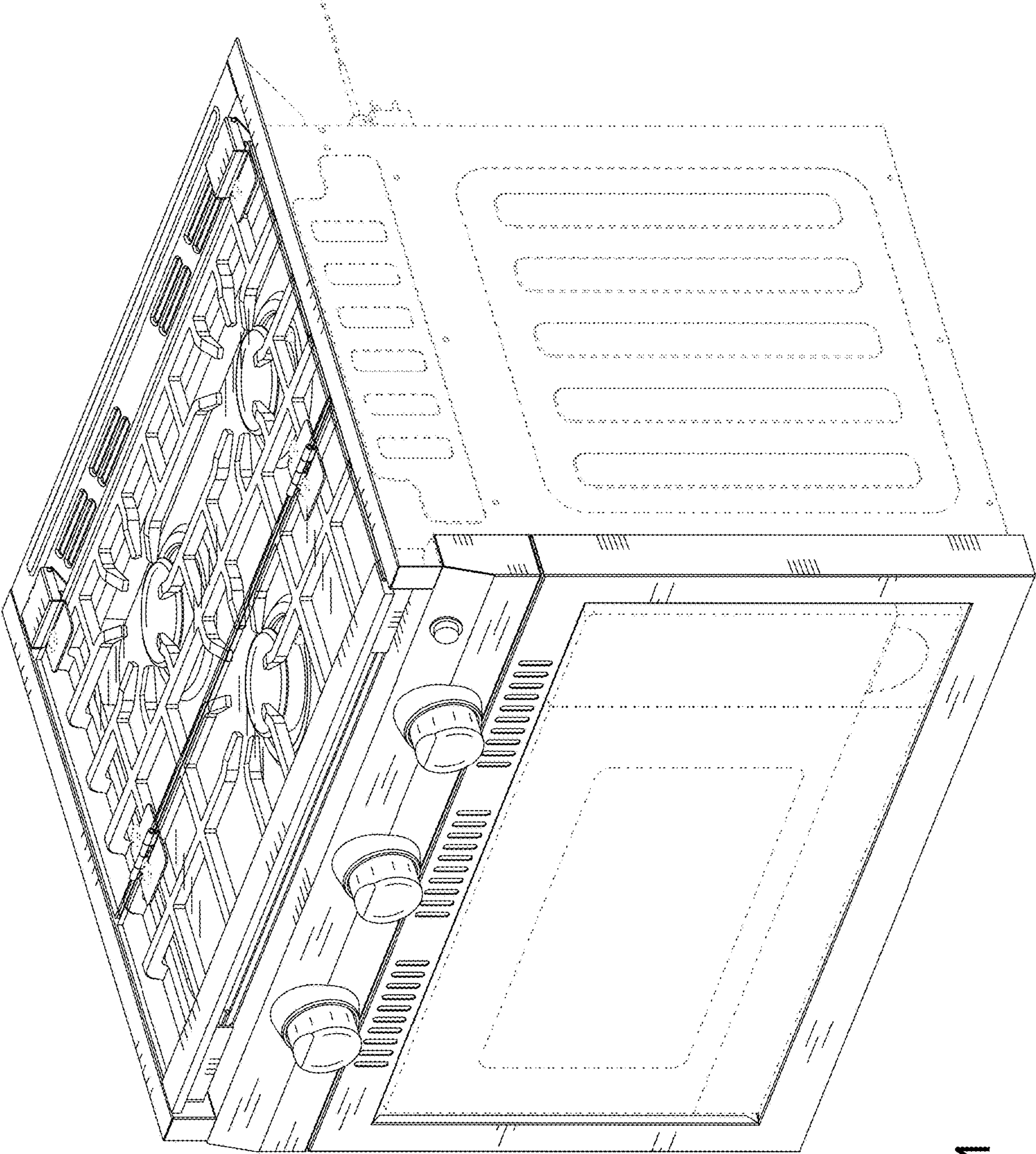


Fig. 1

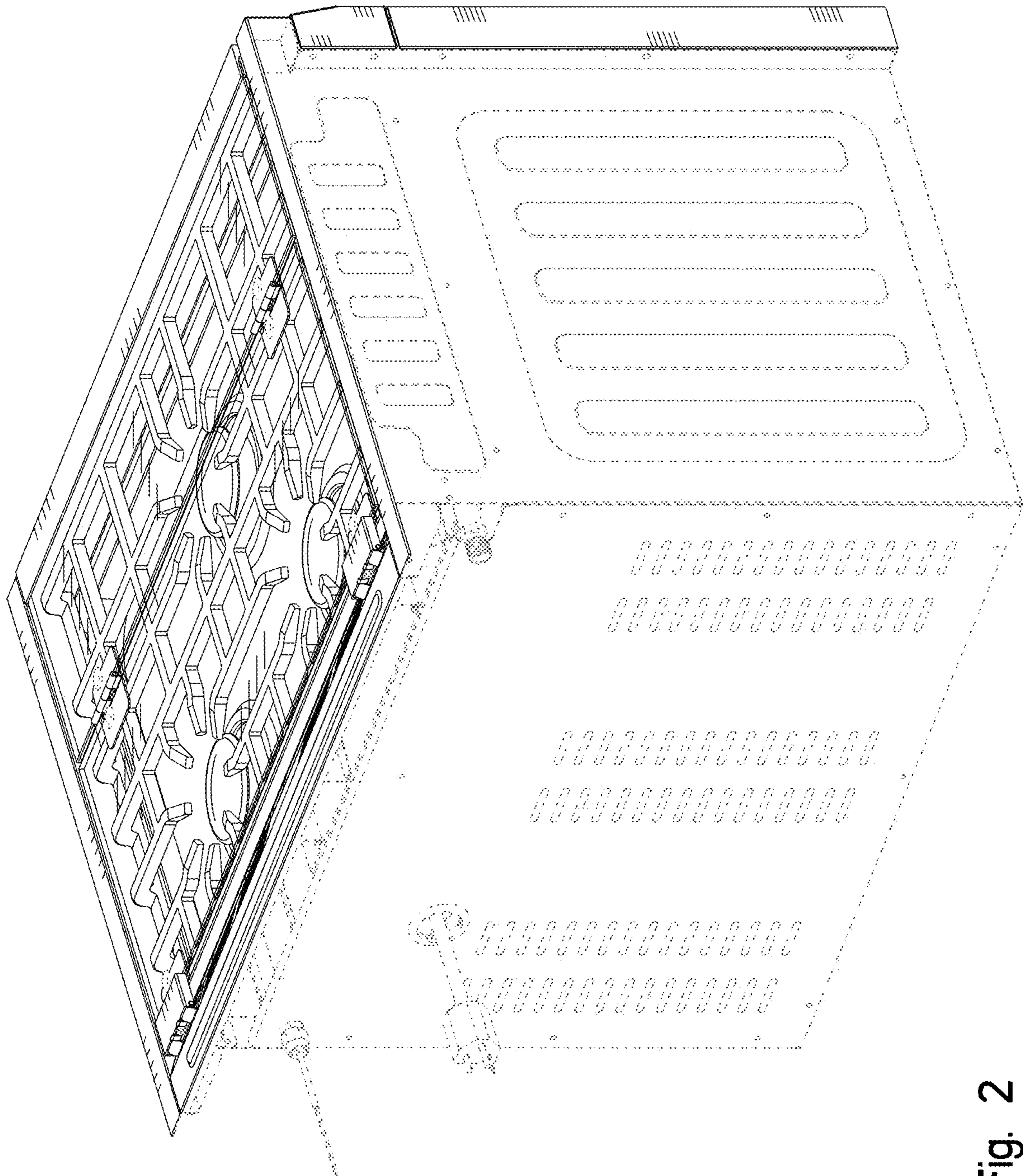


Fig. 2

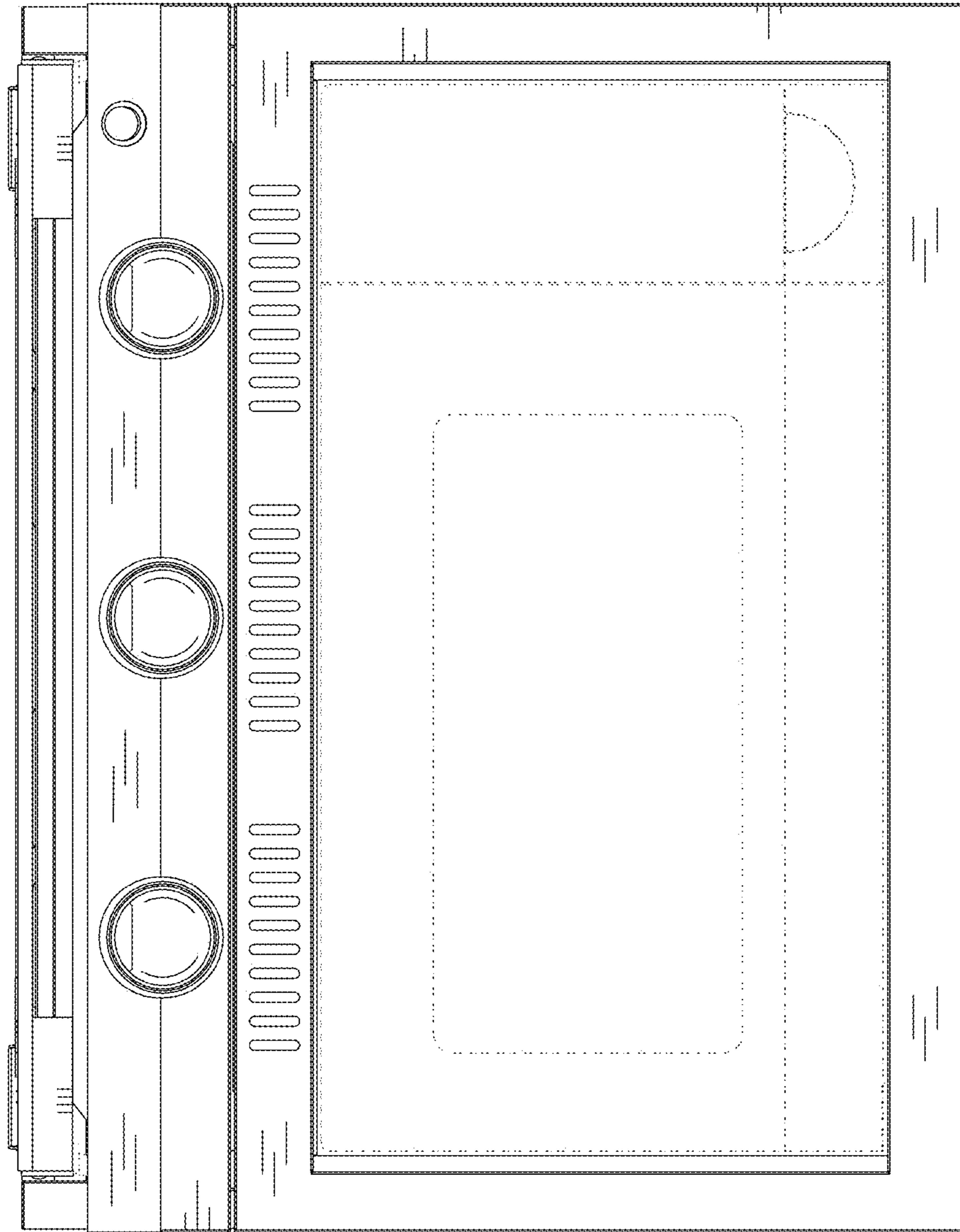


Fig. 3

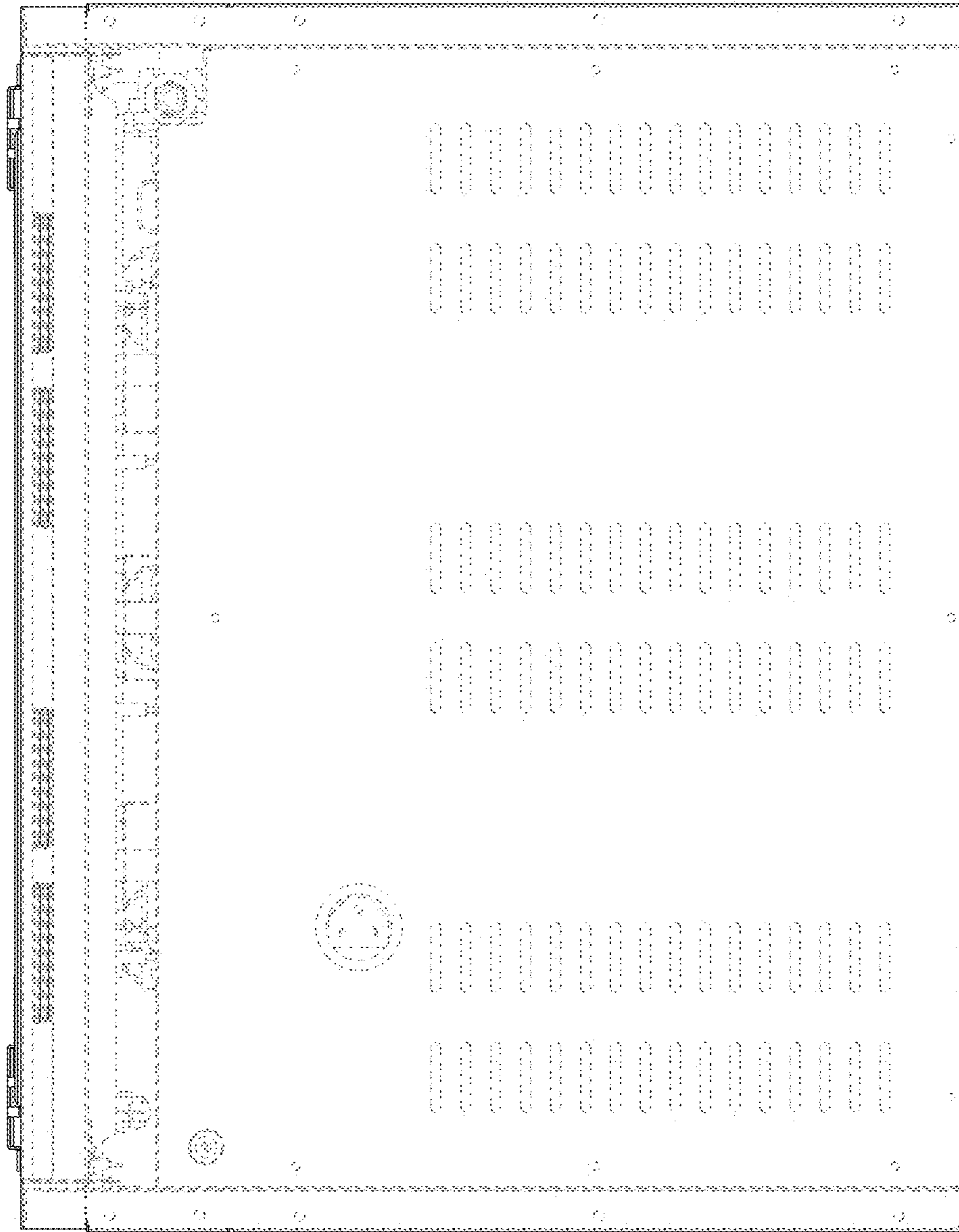


Fig. 4

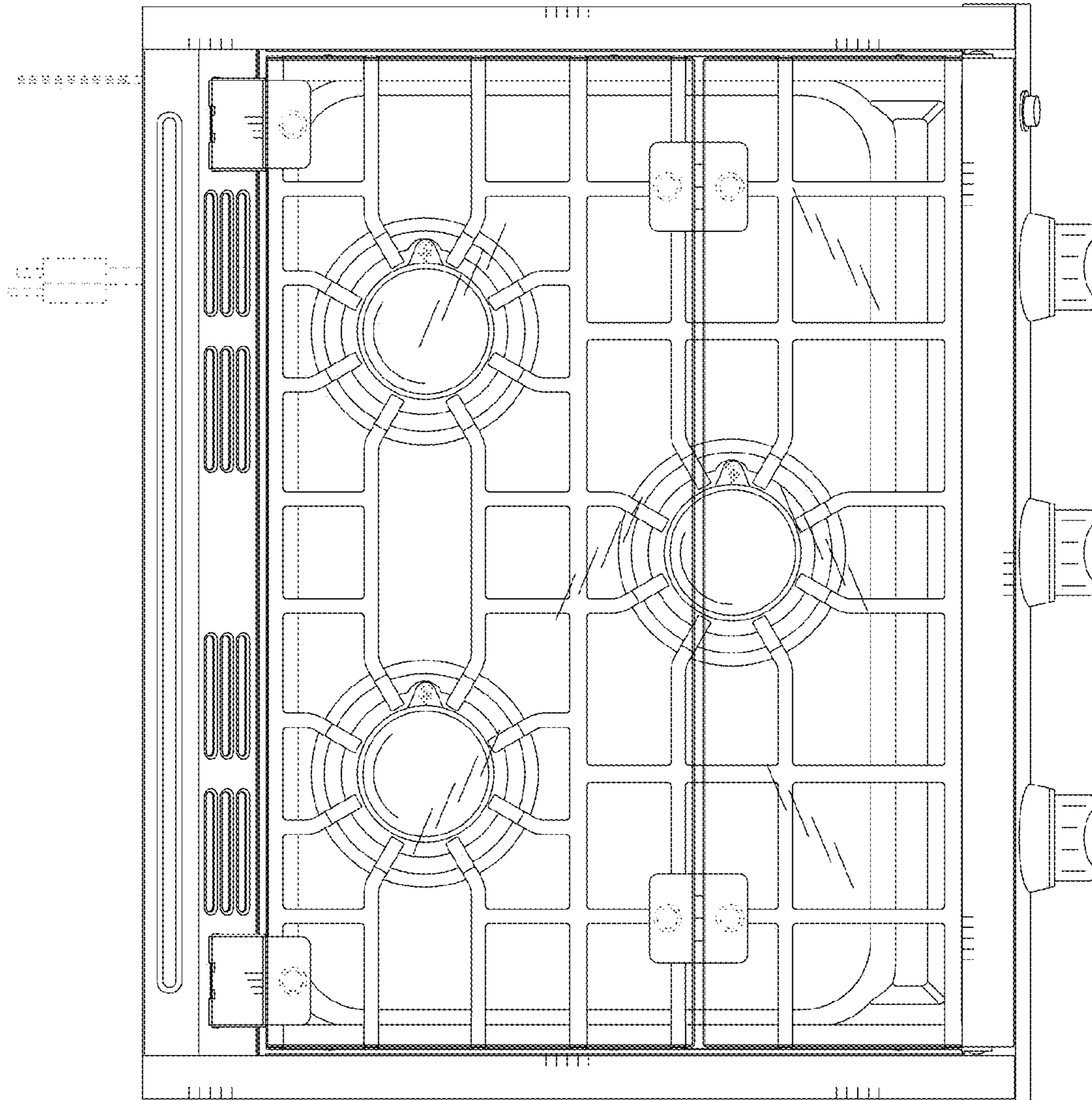


Fig. 5

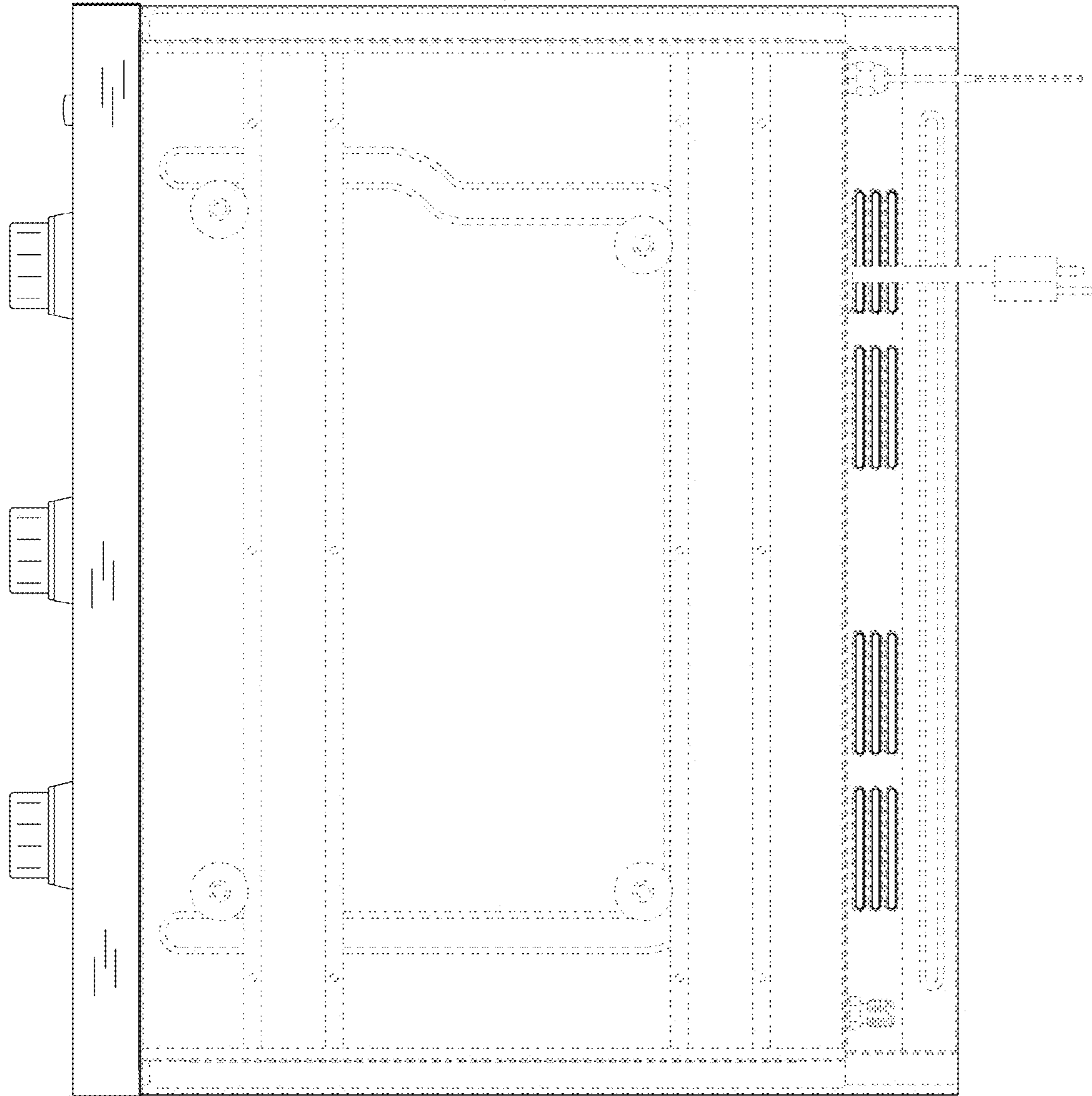


Fig. 6

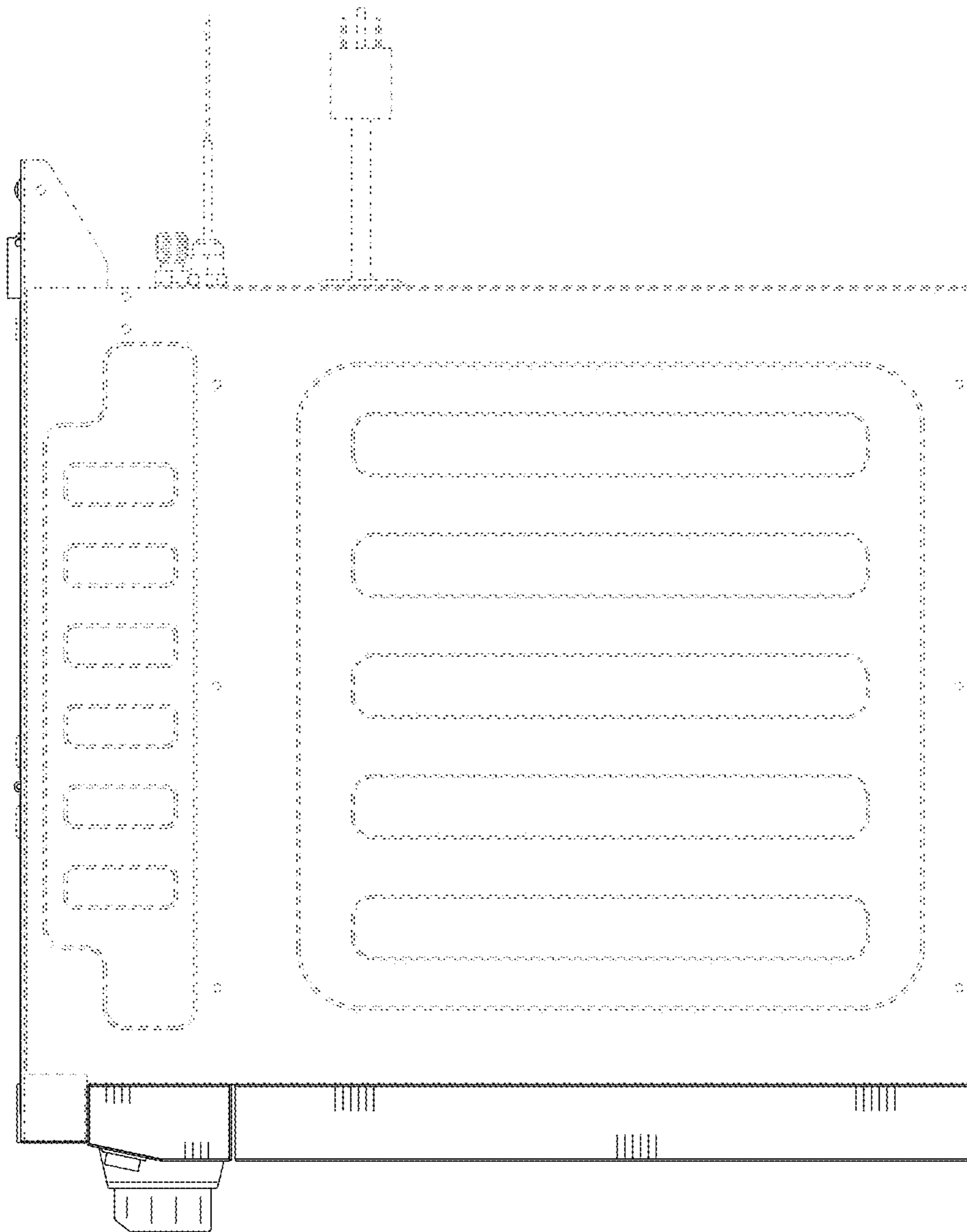


Fig. 7

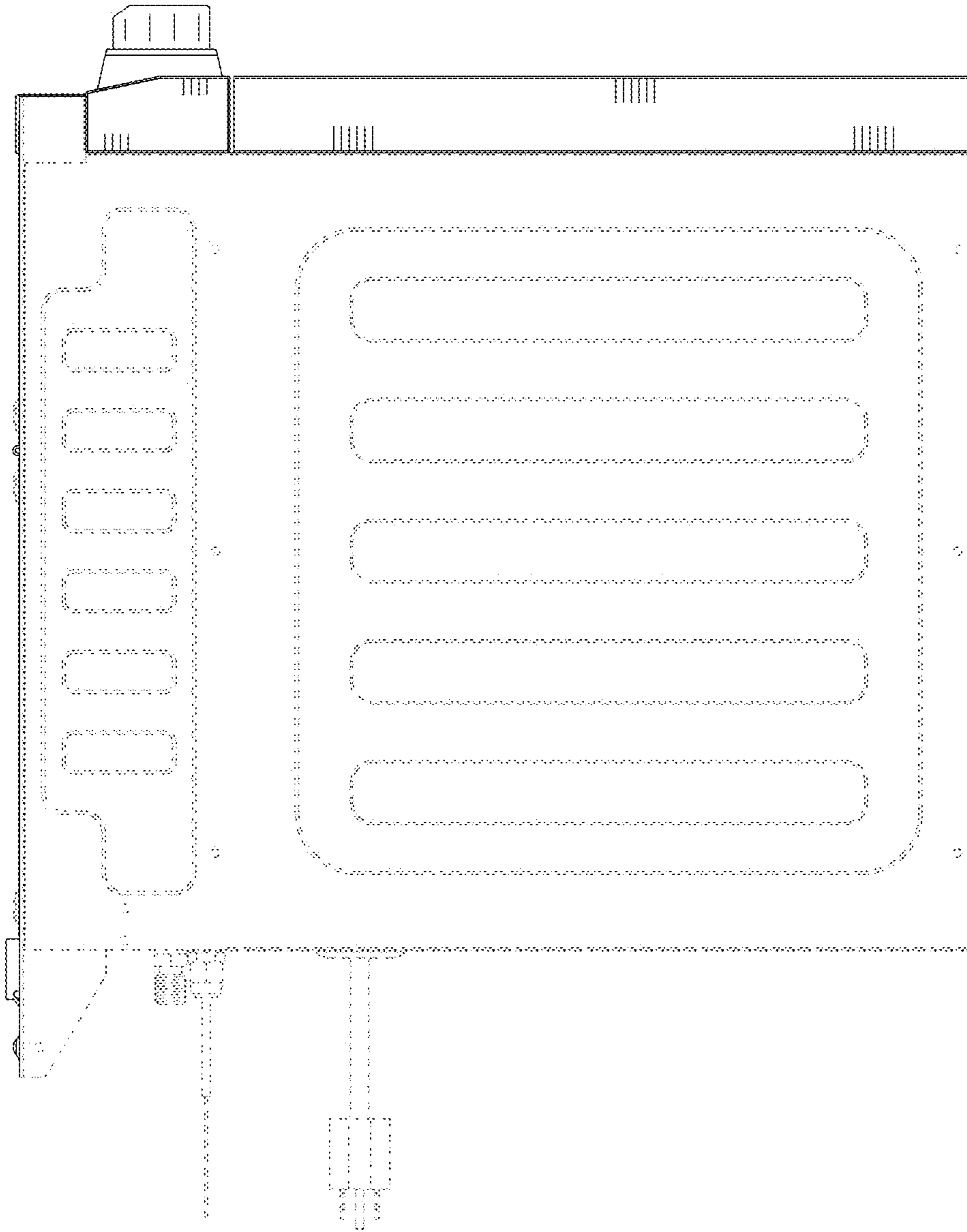


Fig. 8