



US00D950298S

(12) **United States Design Patent**
Yang

(10) **Patent No.:** **US D950,298 S**
(45) **Date of Patent:** **** May 3, 2022**

- (54) **STOVE**
- (71) Applicant: **Weihong Yang, Zhenjiang (CN)**
- (72) Inventor: **Weihong Yang, Zhenjiang (CN)**
- (**) Term: **15 Years**
- (21) Appl. No.: **29/787,101**
- (22) Filed: **Jun. 4, 2021**
- (51) **LOC (13) Cl.** **07-02**
- (52) **U.S. Cl.**
USPC **D7/339**
- (58) **Field of Classification Search**
USPC D7/323, 328–330, 334, 339–349, 390,
D7/402–406; D8/300–306
CPC ... A21B 2/00; A47J 37/00; A47J 37/06; A47J
37/0611; A47J 37/0745; A47J 37/0763;
A47J 37/08; A47J 37/0807; A47J
37/0814; A47J 37/0835; A47J 37/0842;
A47J 37/085; A47J 37/0864; A47J
37/0878; A47J 37/0885; A47J 37/0892;
F24B 1/02; F24B 1/202; F24B 1/205;
F24C 7/00; F24C 7/002; F24C 7/046;
F24C 7/067; F24C 15/02; F24C 15/04;
F24C 15/10; F24C 15/102
See application file for complete search history.

(56) **References Cited**
U.S. PATENT DOCUMENTS

- 1,955,147 A * 4/1934 Remington F24B 1/205
312/351.3
- 2,129,371 A * 9/1938 Robinson F24B 1/202
126/9 R

- 2,922,414 A * 1/1960 Brender F24B 1/202
D7/332
- 3,124,057 A * 3/1964 Kiser A47J 37/0745
126/25 R
- 3,489,131 A * 1/1970 Richins F24B 1/205
126/9 R
- 3,880,139 A * 4/1975 Young A47J 37/0763
126/552
- 4,069,806 A * 1/1978 Landry F24B 1/205
126/307 R
- 4,121,561 A * 10/1978 Cote F24B 1/02
220/DIG. 25
- 4,911,140 A * 3/1990 Robinson F24B 1/205
126/9 R
- 5,947,105 A * 9/1999 Scott F24B 1/202
29/403.1
- D495,919 S 9/2004 De Mello
- D674,234 S * 1/2013 Todd D7/334
- D874,209 S 2/2020 Harrell et al.
- D942,203 S * 2/2022 Jiang D7/339
- D942,796 S * 2/2022 Jiang D7/339

* cited by examiner

Primary Examiner — Ricky Pham

(57) **CLAIM**

The ornamental design for a stove, as shown and described.

DESCRIPTION

FIG. 1 is a perspective view of a stove showing my new design;

FIG. 2 is a rear elevational view thereof;

FIG. 3 is a front elevational view thereof;

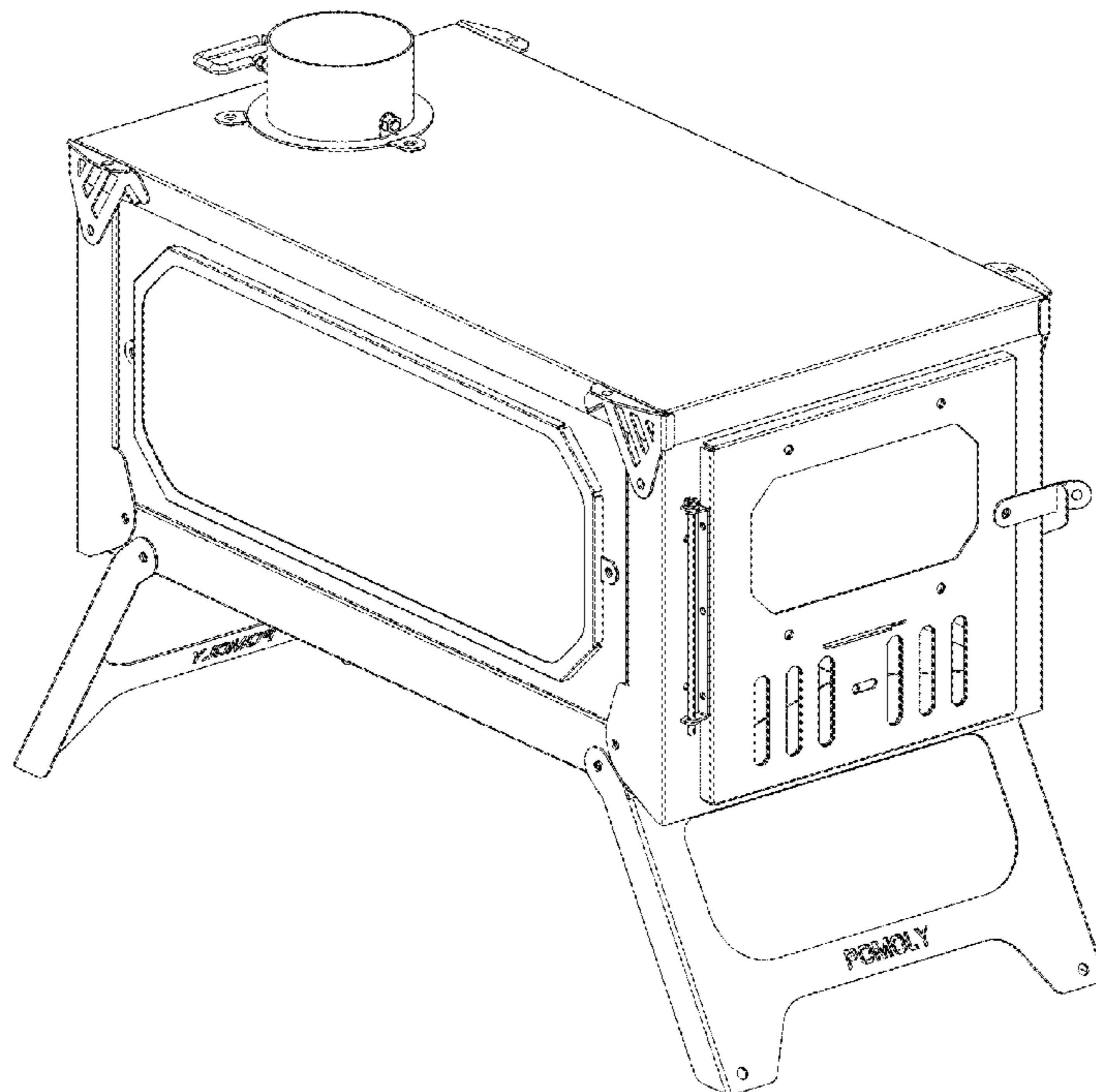
FIG. 4 is a right side elevational view thereof;

FIG. 5 is a left side elevational view thereof;

FIG. 6 is a top plan view thereof; and,

FIG. 7 is a bottom plan view thereof.

1 Claim, 7 Drawing Sheets



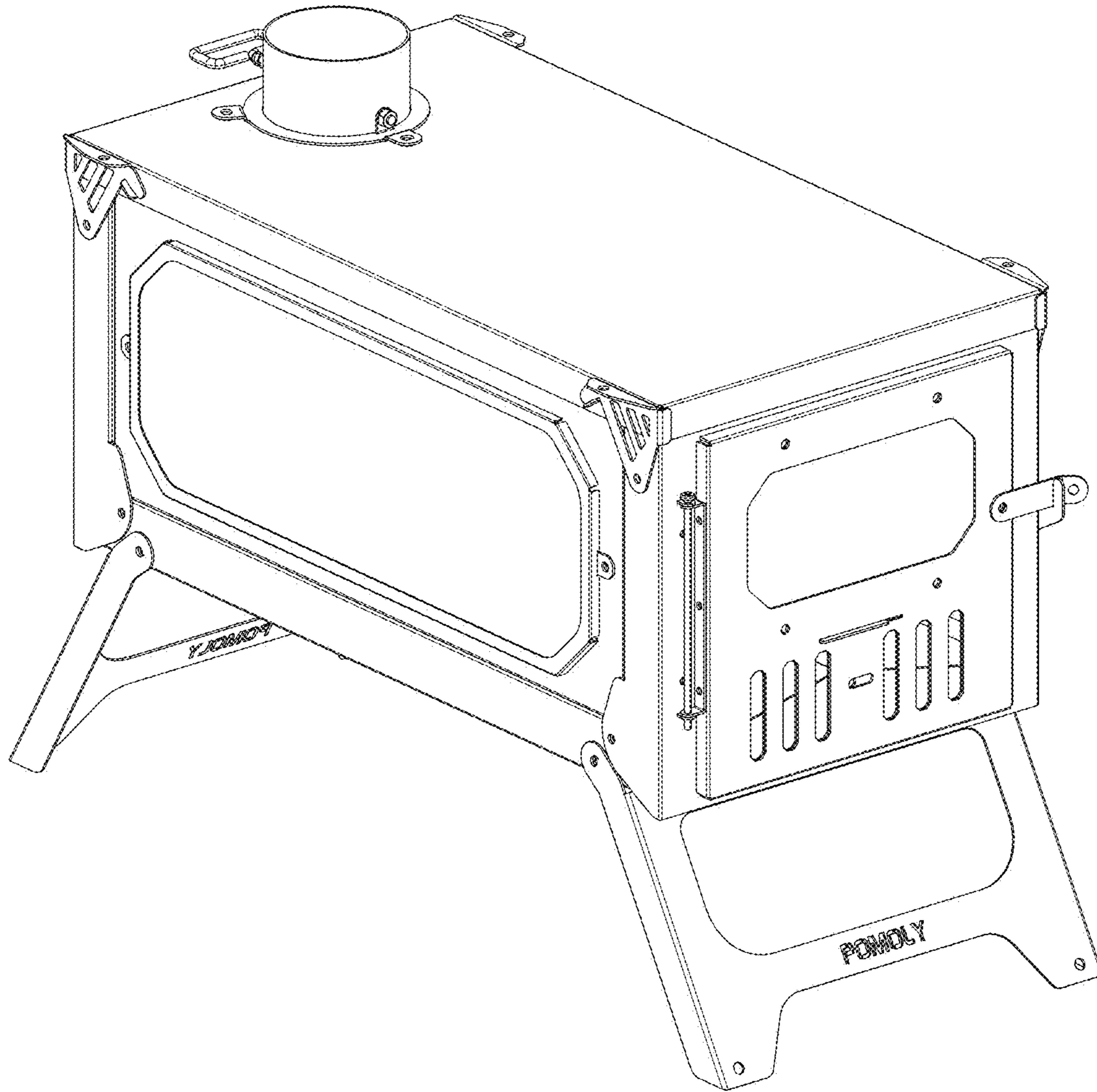


FIG. 1

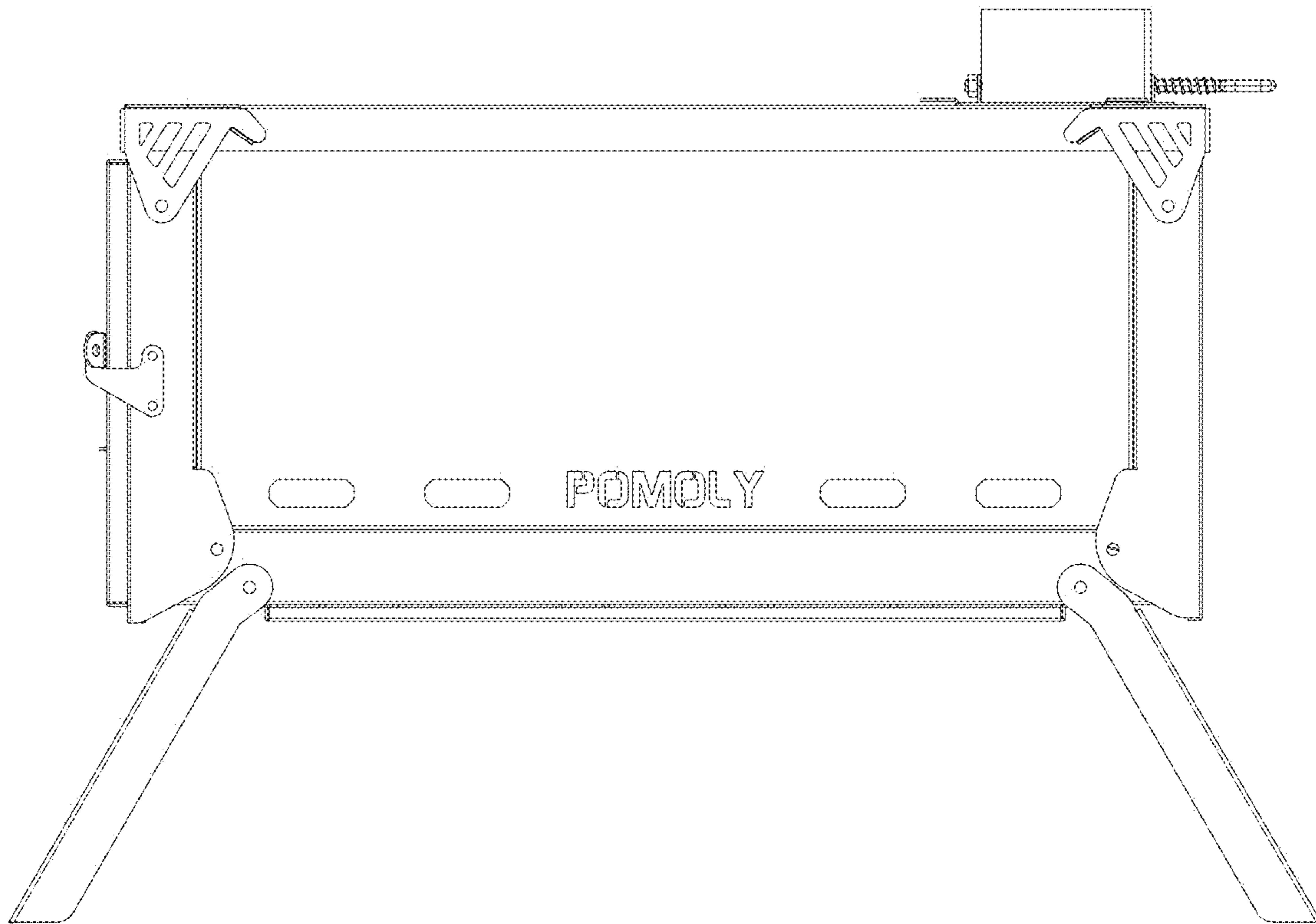


FIG. 2

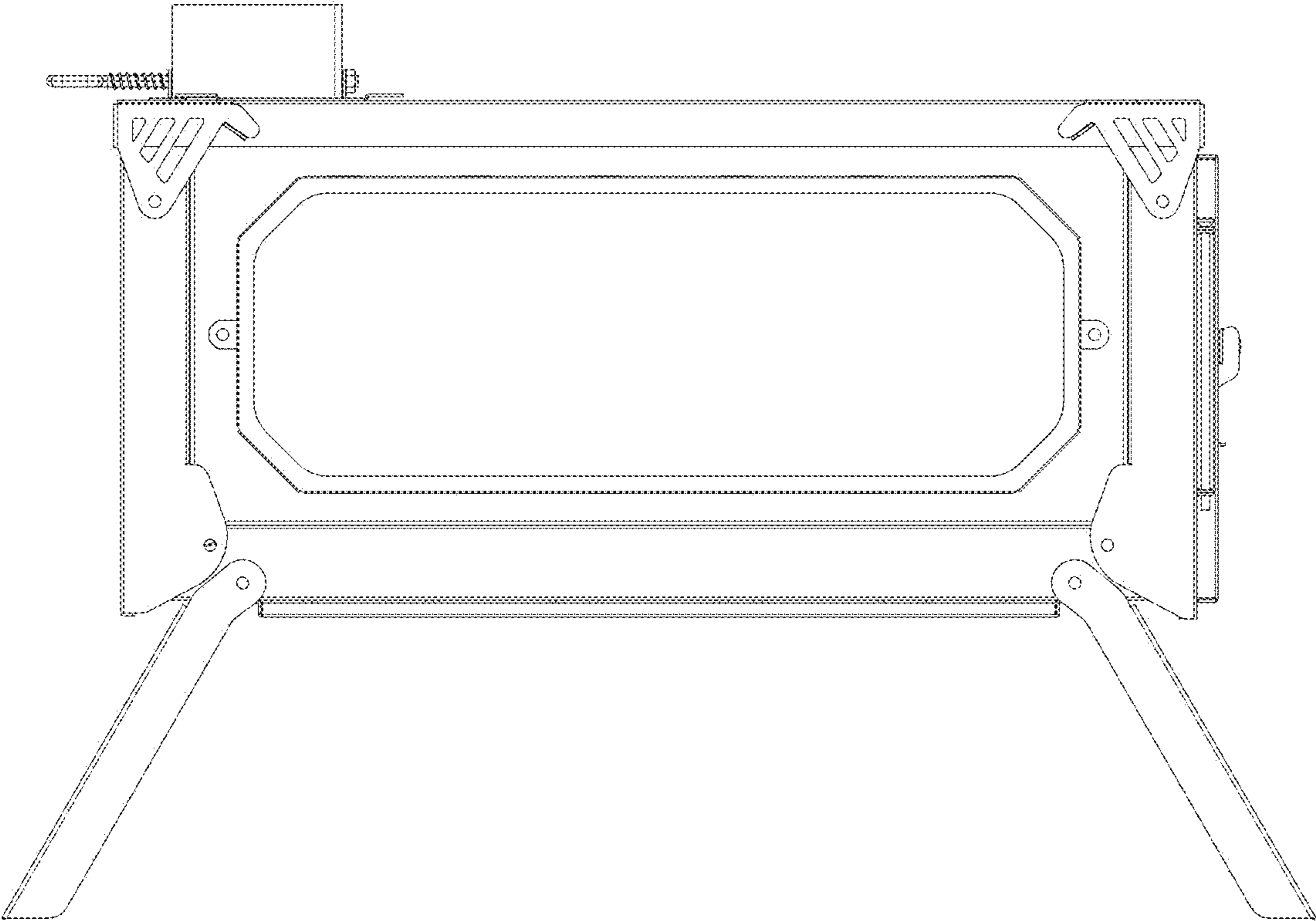


FIG. 3

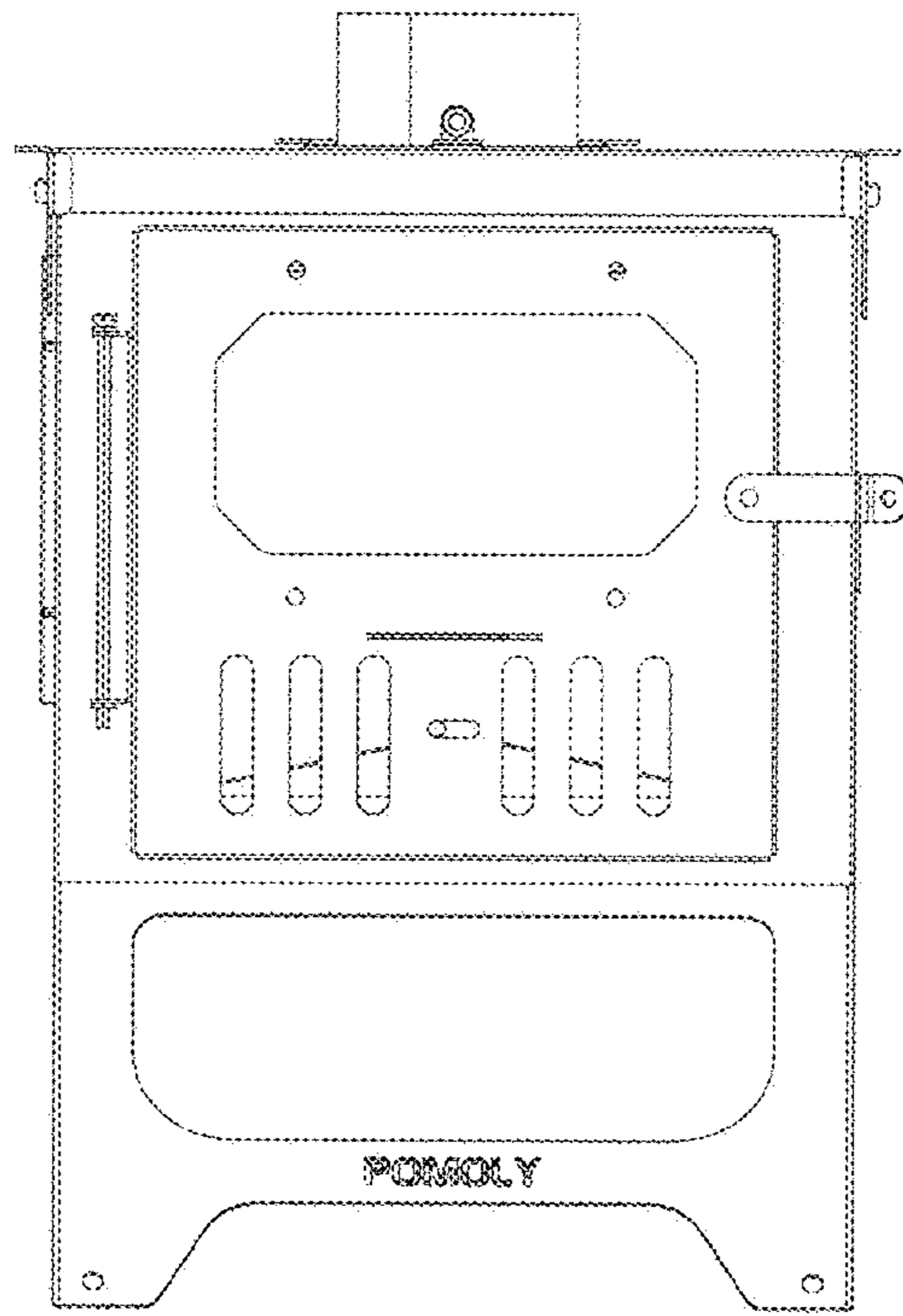


FIG. 4

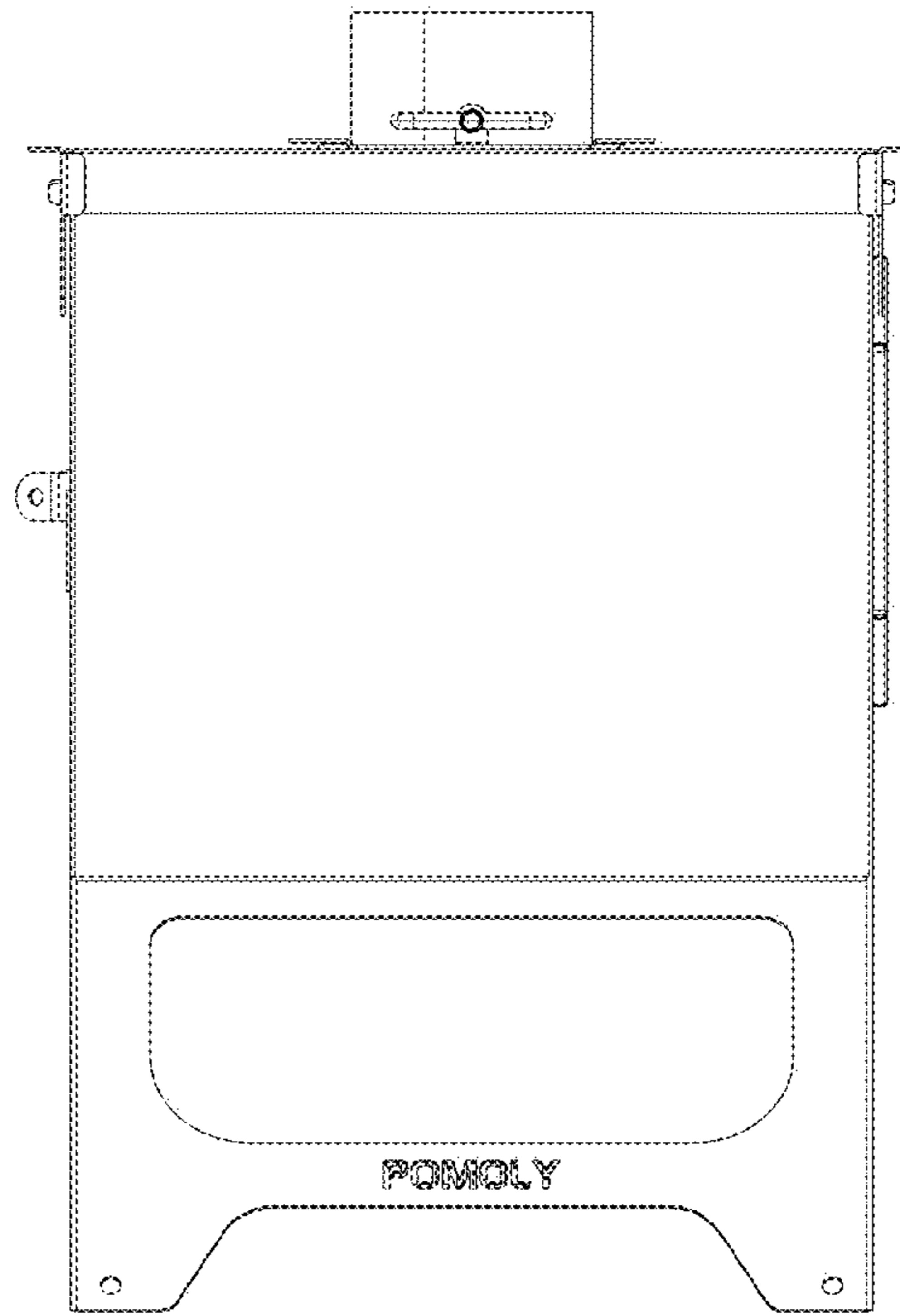


FIG. 5

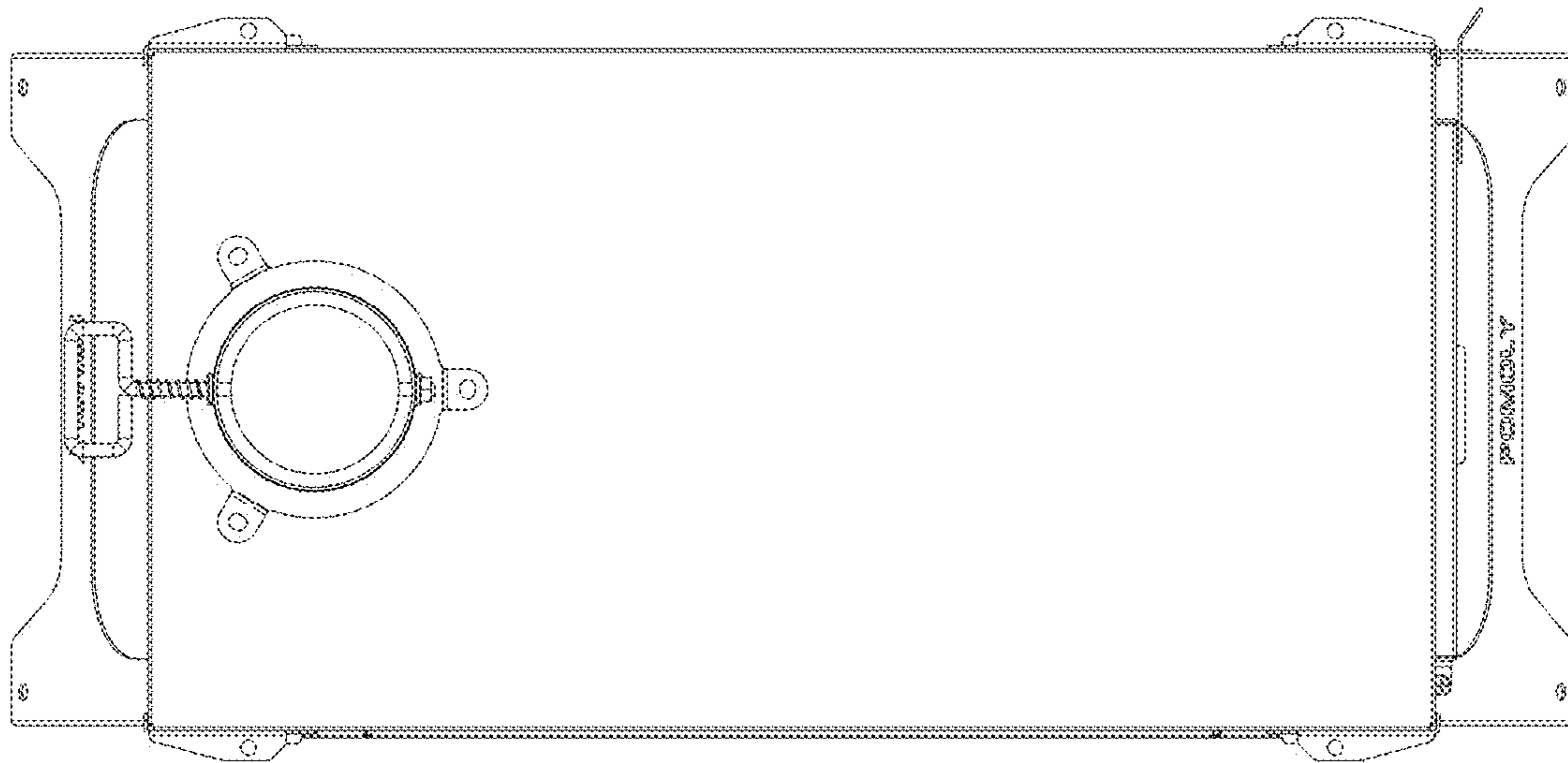


FIG. 6

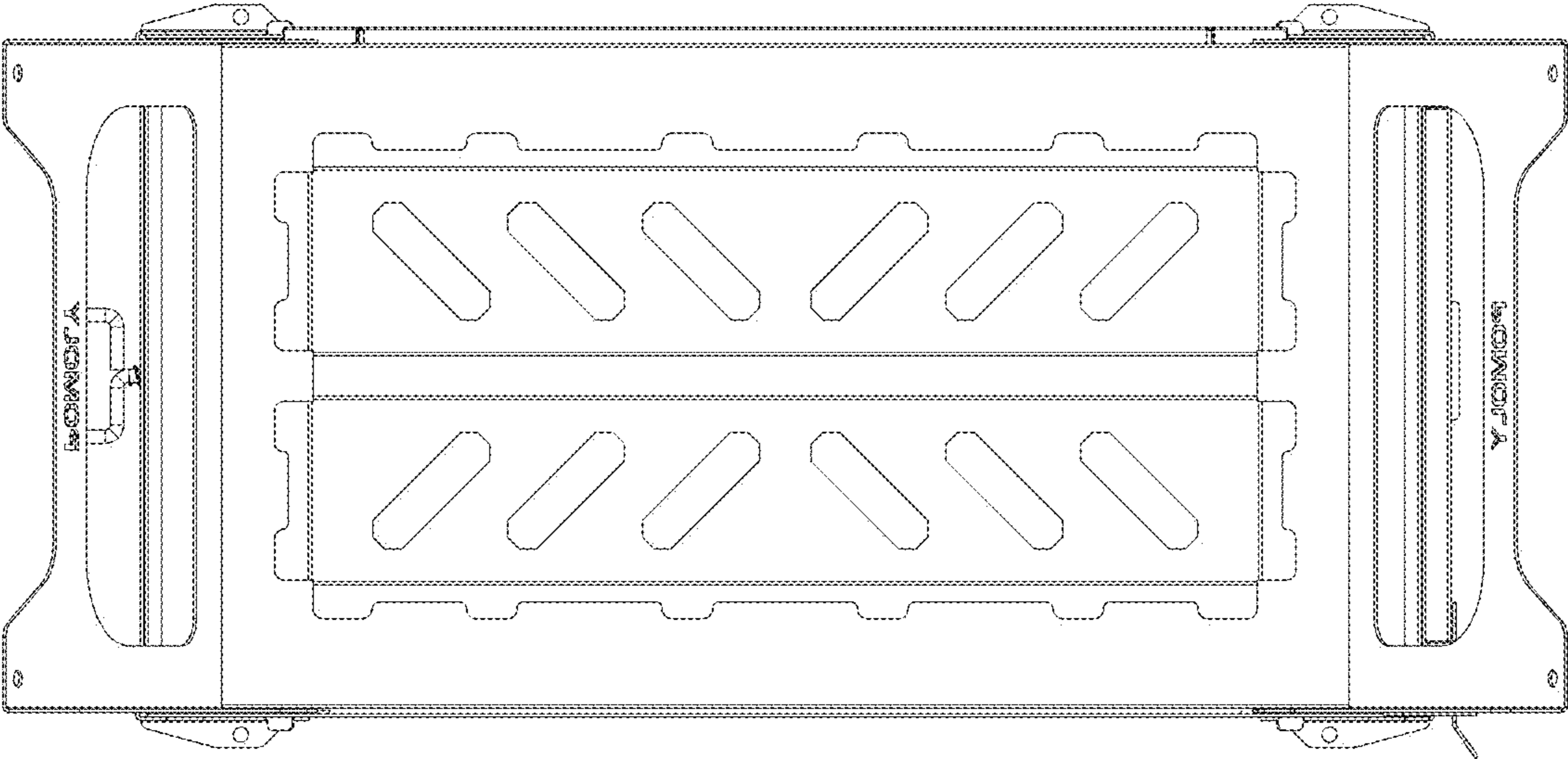


FIG. 7