



US00D950296S

(12) **United States Design Patent** (10) **Patent No.:** **US D950,296 S**
Lamier (45) **Date of Patent:** **** *May 3, 2022**

(54) **SMOKE GENERATOR**

- (71) Applicant: **Smokin-It, LLC**, Montgomery, MI (US)
- (72) Inventor: **Stephen L. Lamier**, Montgomery, MI (US)
- (73) Assignee: **SMOKIN-IT, LLC**, Montgomery, MI (US)
- (*) Notice: This patent is subject to a terminal disclaimer.
- (**) Term: **15 Years**

- (21) Appl. No.: **29/751,965**
- (22) Filed: **Sep. 24, 2020**
- (51) **LOC (13) Cl.** **07-02**
- (52) **U.S. Cl.**
USPC **D7/332**
- (58) **Field of Classification Search**
USPC D7/323, 327, 332-339, 354, 362, 366, D7/387, 391, 402-409, 704; D23/209, D23/332, 335, 343
CPC .. A47J 33/00; A47J 36/06; A47J 37/00; A47J 37/04; A47J 37/048; A47J 37/049; A47J 37/07; A47J 37/0704; A47J 37/0713; A47J 37/0718; A47J 37/0727; A47J 37/0745; A47J 37/0763; A47J 37/0777; A47J 37/0786; A47J 37/10; A47J 37/103; A47J 37/106; A47J 2201/00; A47J 2202/00; F24C 1/16; F24C 15/18; A23B 4/044; A23B 4/052
See application file for complete search history.

(56) **References Cited**

U.S. PATENT DOCUMENTS

- D187,318 S * 2/1960 Jones D7/332
- D363,191 S * 10/1995 Gibson D7/402
- 5,685,288 A * 11/1997 Sibley F24C 3/14
126/226

(Continued)

OTHER PUBLICATIONS

Design No. 008272587-0001, Nov. 17, 2020—European Union Intellectual Property Office (EUIPO) Publication Date—Nov. 25, 2020 Owner—Rolf Peter Alexander Hamers DesignView, available at www.tmdn.org/tmdsview-web/welcome (Year: 2020).*

(Continued)

Primary Examiner — Mary Ann Calabrese
Assistant Examiner — Natalya M Rapundalo
(74) *Attorney, Agent, or Firm* — Shane Cortesi

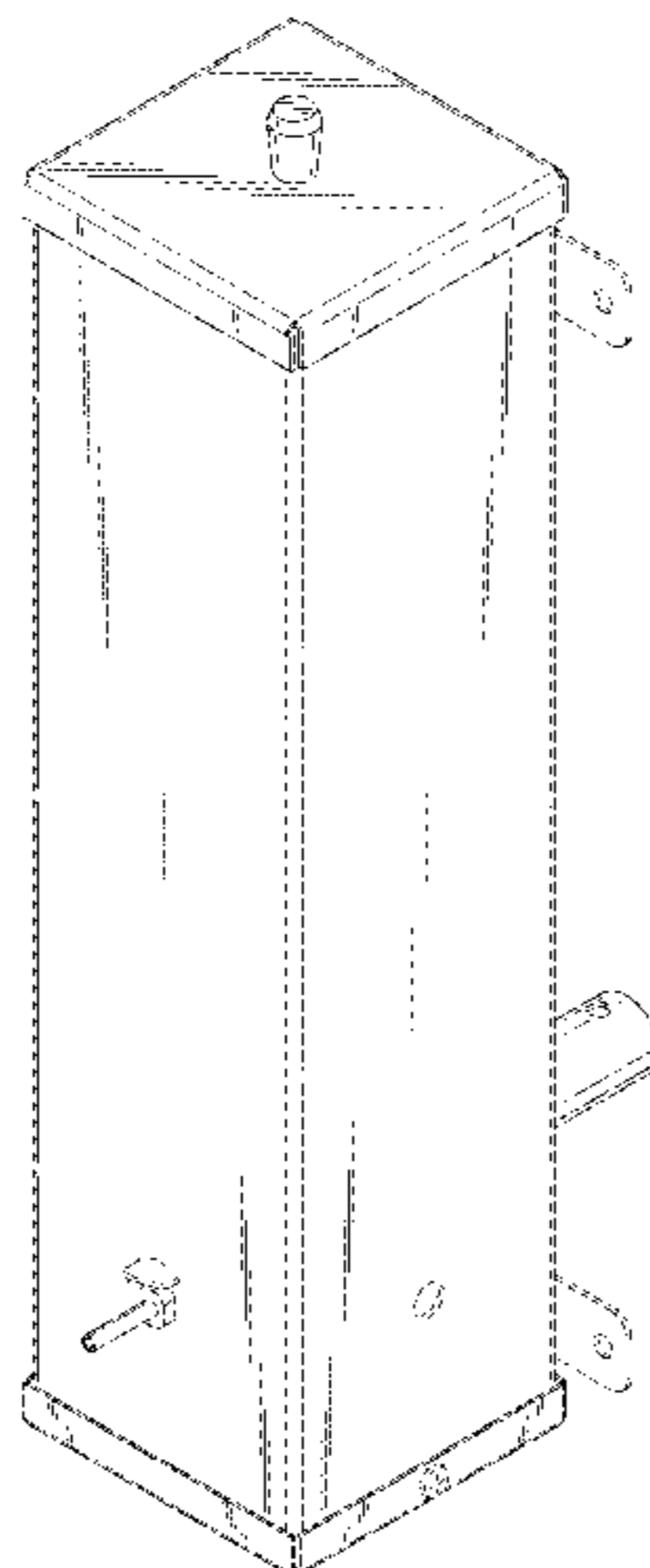
(57) **CLAIM**

The ornamental design for a smoke generator, as shown and described.

DESCRIPTION

FIG. 1 is a top perspective view of a smoke generator in accordance with the present invention.
 FIG. 2 is a bottom perspective view showing the smoke generator of FIG. 1.
 FIG. 3 is a front elevation view showing the smoke generator of FIG. 1.
 FIG. 4 is a rear elevation view showing the smoke generator of FIG. 1.
 FIG. 5 is a left elevation view showing the smoke generator of FIG. 1.
 FIG. 6 is a right elevation view showing the smoke generator of FIG. 1.
 FIG. 7 is a top plan view showing the smoke generator of FIG. 1.
 FIG. 8 is a bottom plan view showing the smoke generator of FIG. 1; and,
 FIG. 9 is a top perspective view with the lid separated showing the smoke generator of FIG. 1.
 The broken lines shown in the Figures depict portions of the smoke generator and form no part of the claimed design.

1 Claim, 8 Drawing Sheets



(56)

References Cited

U.S. PATENT DOCUMENTS

D443,465 S * 6/2001 Kapellas D7/354
D567,574 S * 4/2008 Cohen F24C 3/14
D7/354
D878,137 S * 3/2020 Fluksman F24C 15/18
D7/332
10,641,495 B2 * 5/2020 Hamm F24C 15/18
D912,456 S * 3/2021 Lamier A01M 1/2088
D7/332
2006/0162576 A1 * 7/2006 Upton A01M 1/2088
99/467
2017/0227232 A1 * 8/2017 Hamm F24C 15/18
2020/0393136 A1 * 12/2020 Johnston F24B 1/195

OTHER PUBLICATIONS

Hoedia Smoking Gun Wood Smoke, first available Aug. 28, 2020, Amazon, [online], [site visited Jan. 24, 2022], Available from internet URL: <https://www.amazon.com/Hoedia-Infuser-Portable-Kitchen-Cocktails/dp/B08GX1GK5F> (Year: 2020).*

IMG 0882, first available Feb. 13, 2020, YouTube, [online], [site visited Jan. 24, 2022], Available from internet URL: <https://www.youtube.com/watch?v=oT-zCEF0buk> (Year: 2020).*

U.S. Appl. No. 29/719,423 entitled "Smoke Generator", filed Jan. 3, 2020.

* cited by examiner

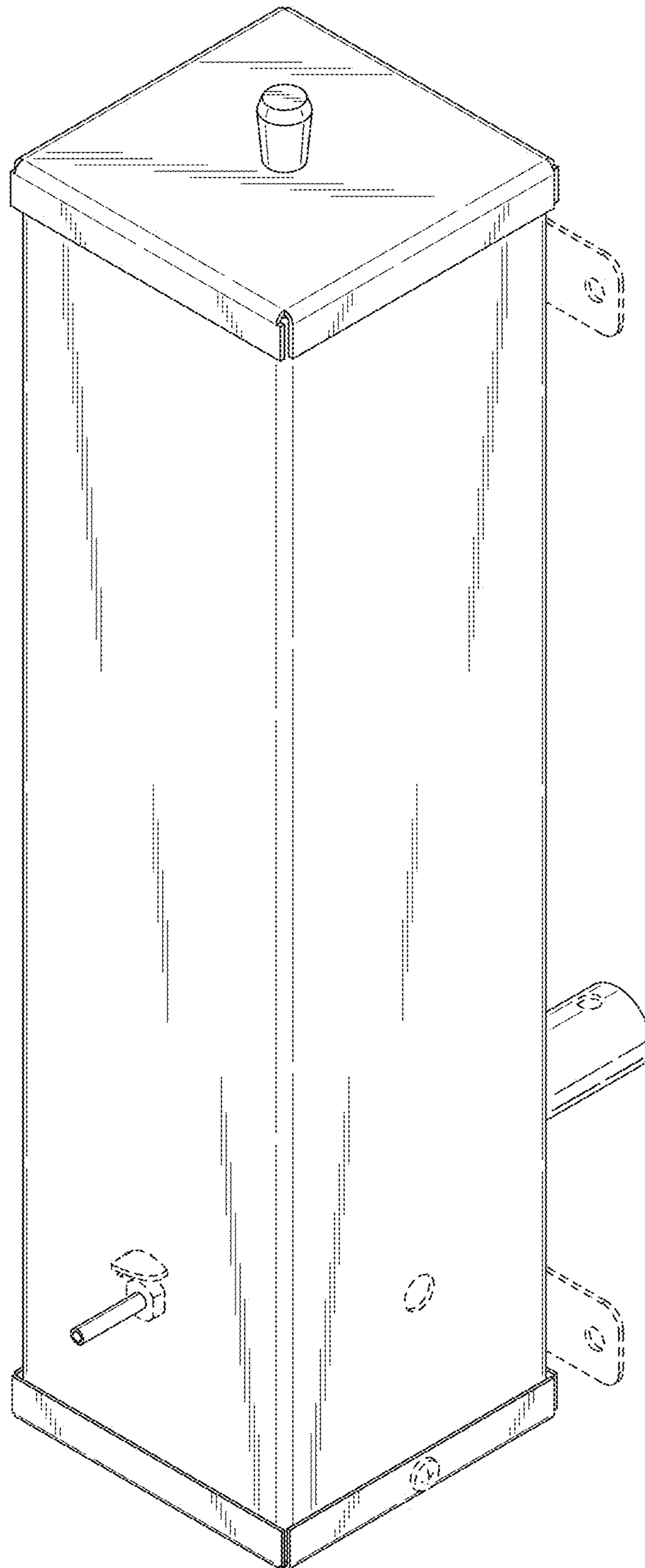


FIG. 1

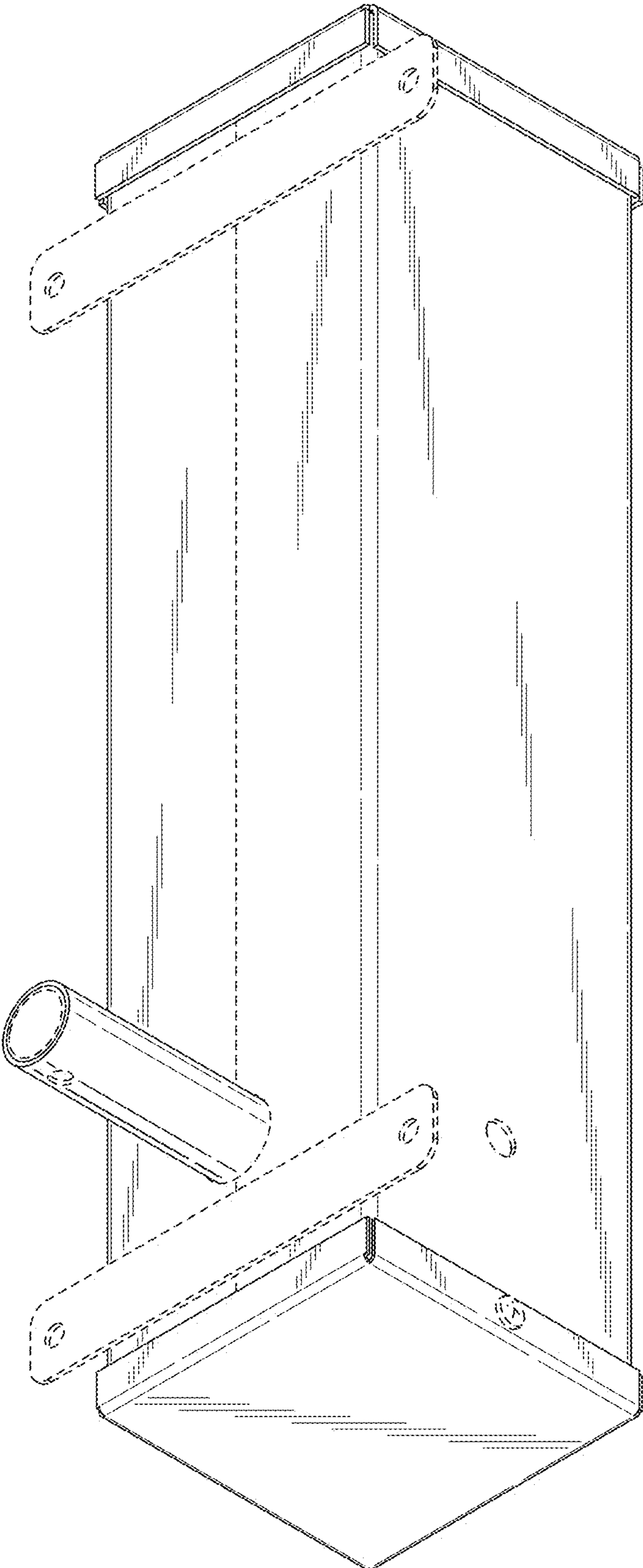


FIG. 2

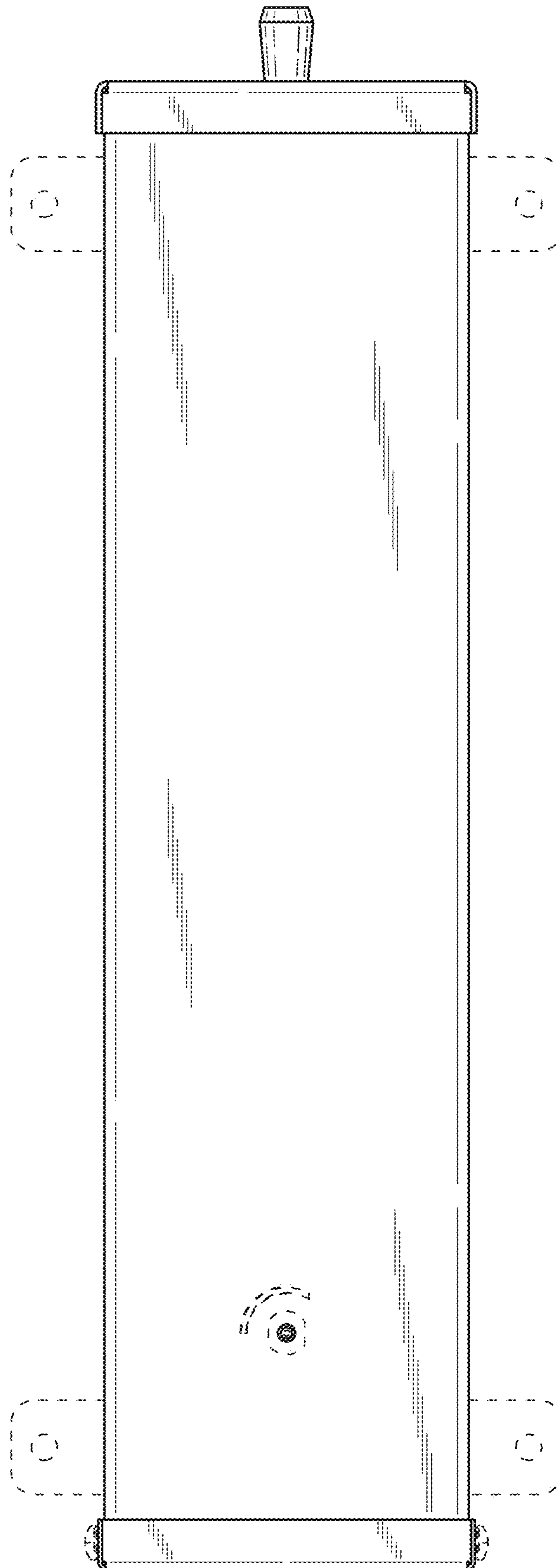


FIG. 3

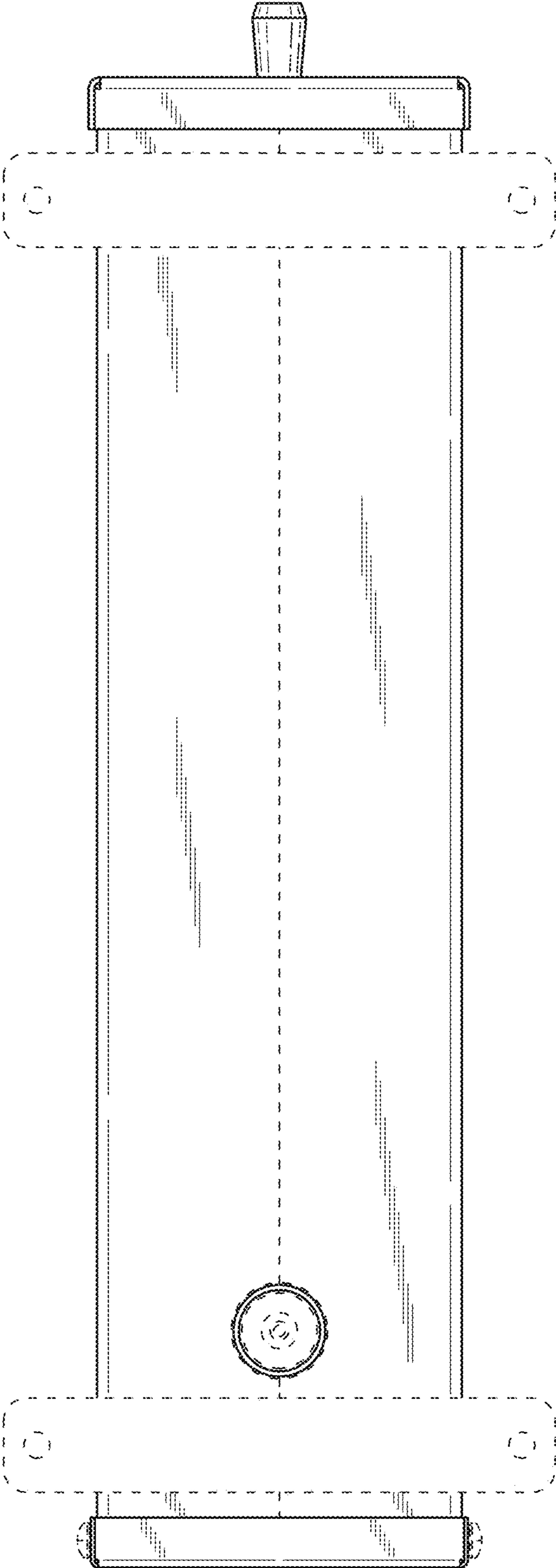


FIG. 4

FIG. 5

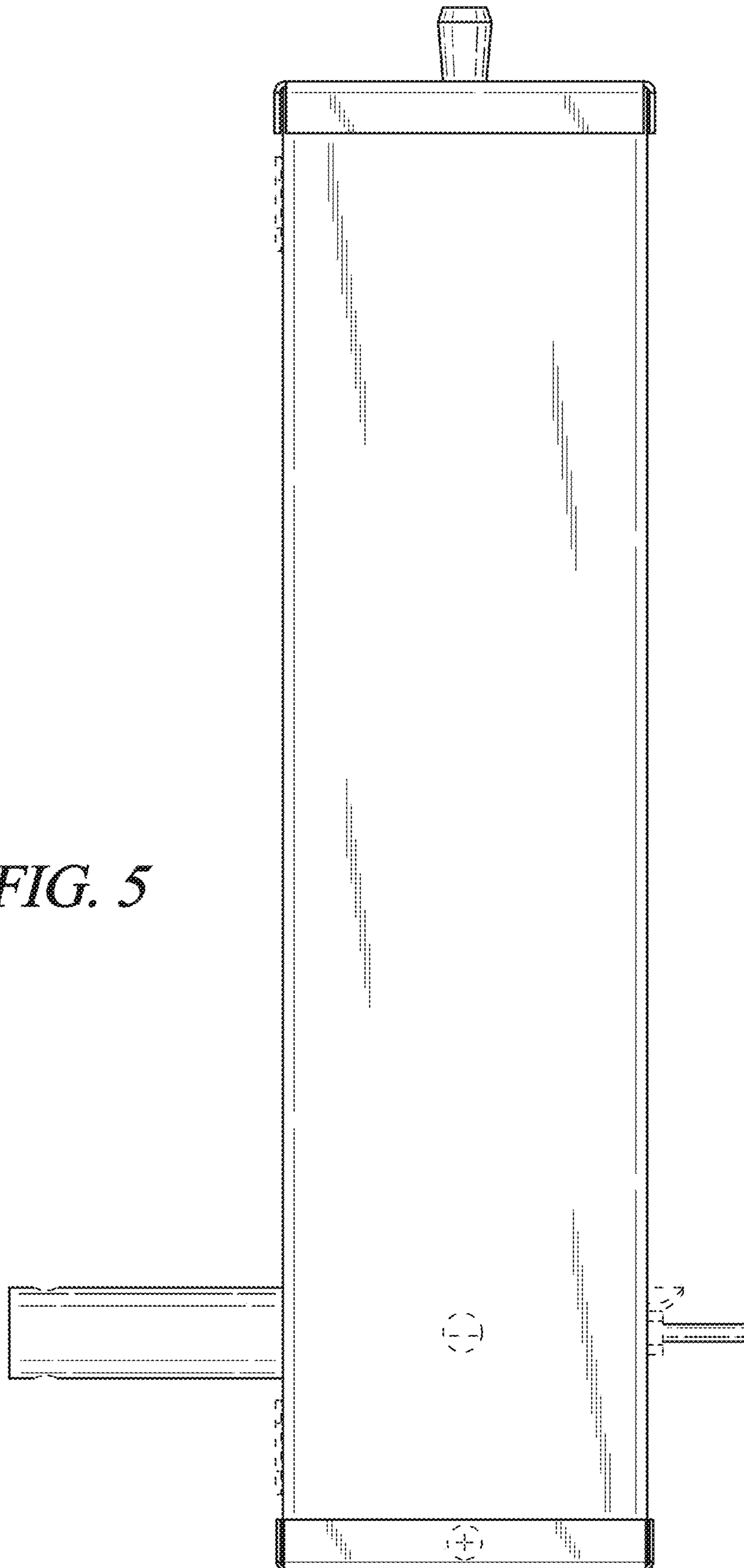


FIG. 6

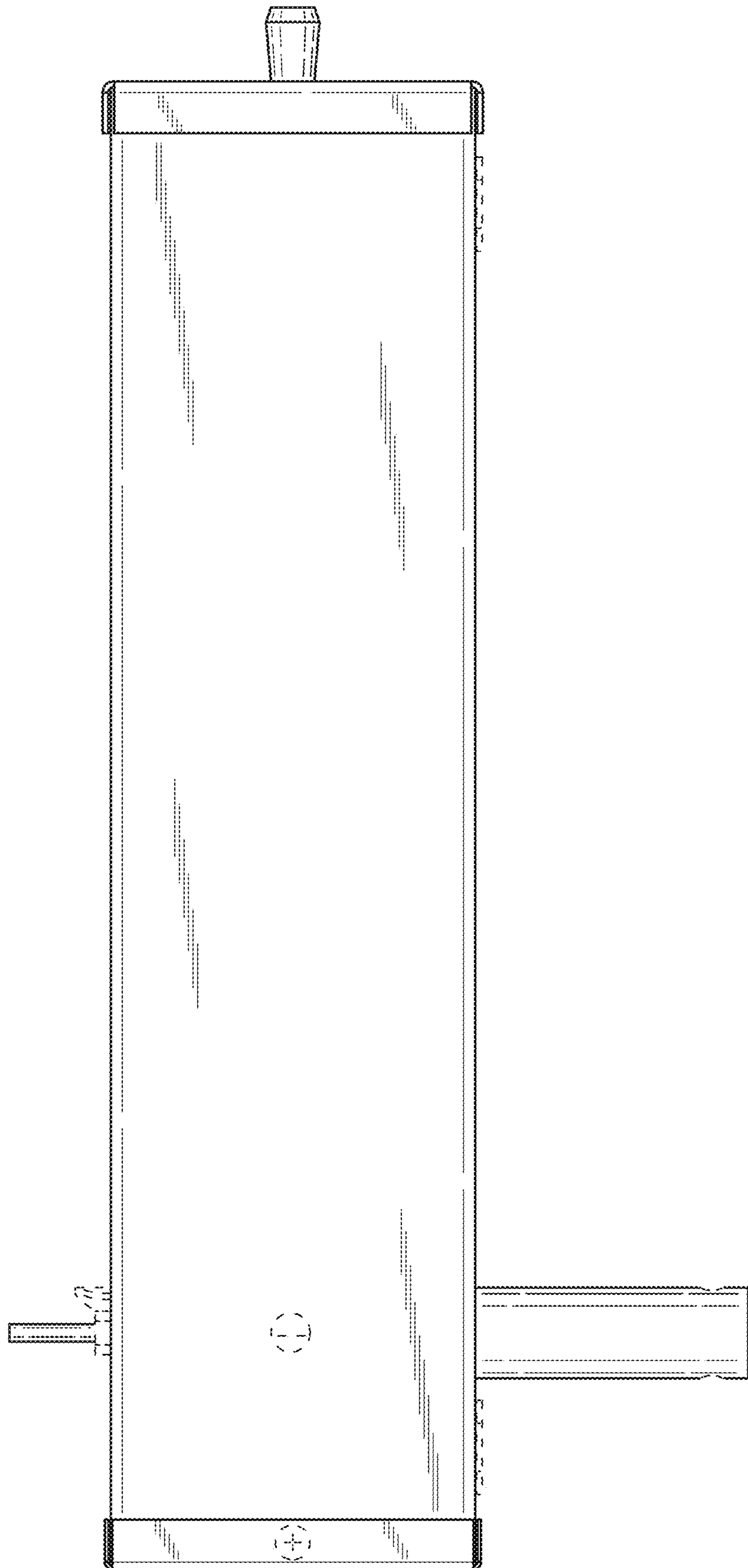


FIG. 7

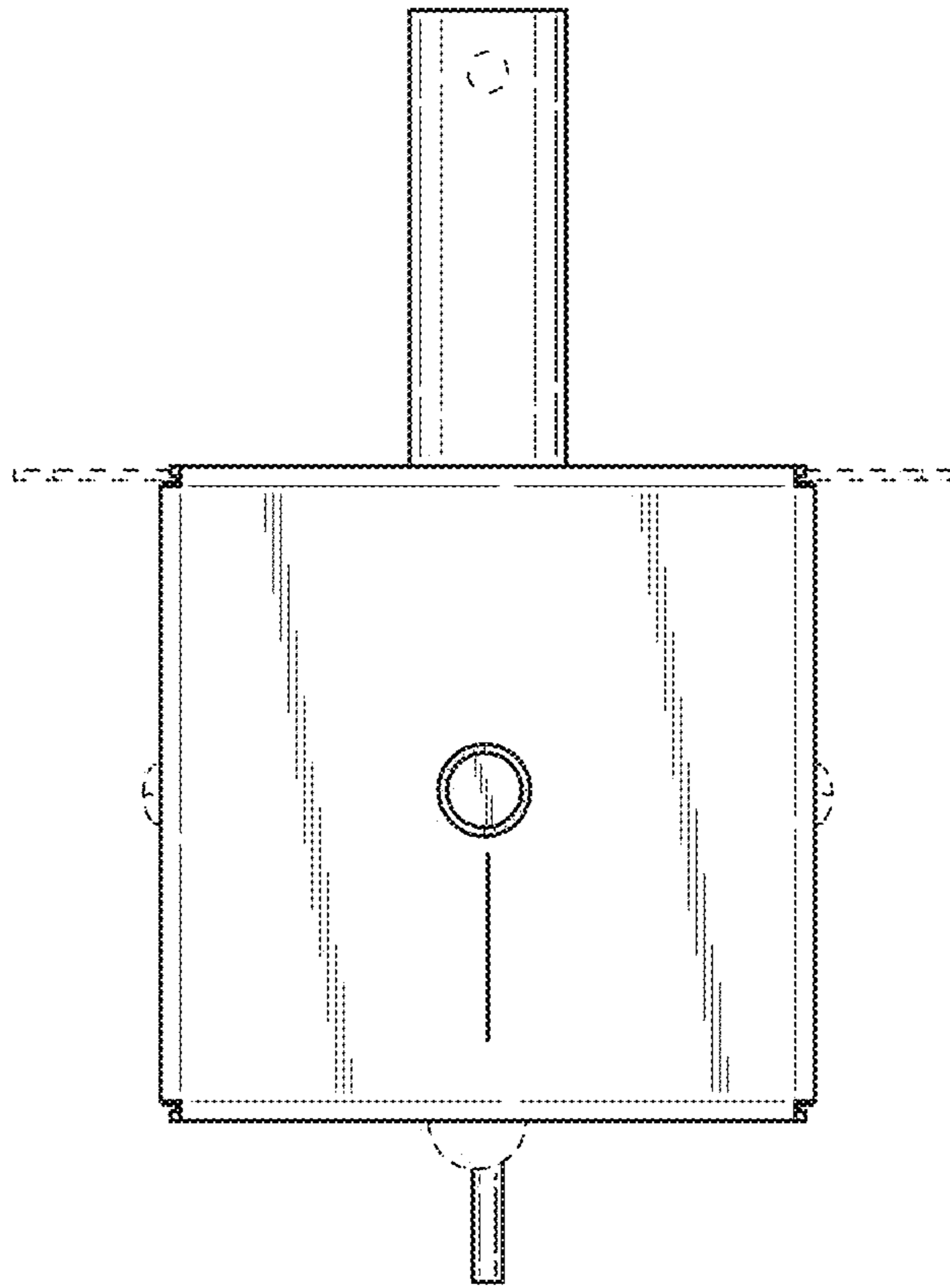


FIG. 8

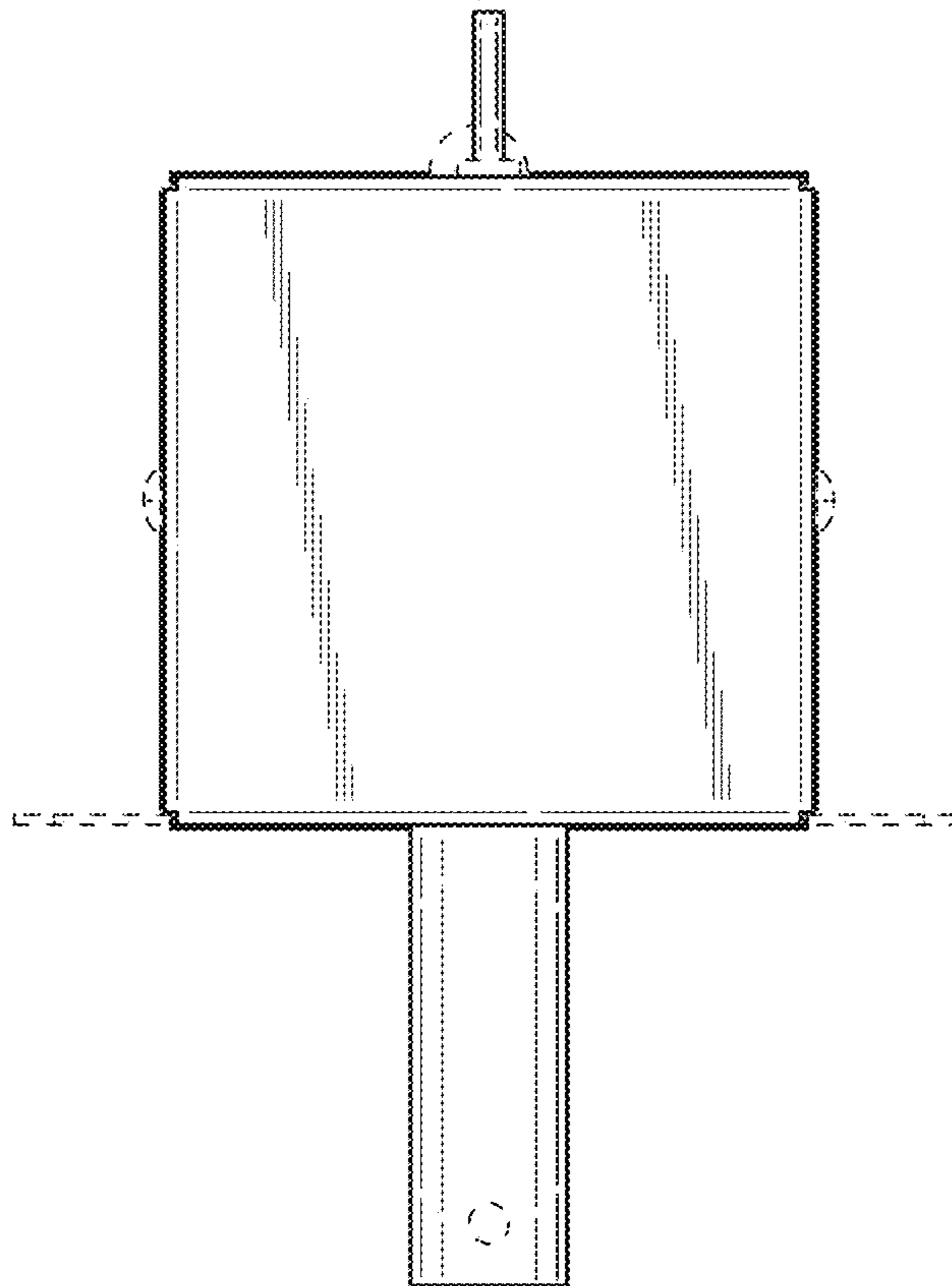


FIG. 9

