



US00D950295S

(12) **United States Design Patent**
Ernotte

(10) **Patent No.:** **US D950,295 S**

(45) **Date of Patent:** **** May 3, 2022**

(54) **FOOD PROCESSOR**

(71) Applicant: **BABYLISS FACO SRL**, Wandre (BE)

(72) Inventor: **Aubry Ernotte**, Theux (BE)

(73) Assignee: **BABYLISS FACO SRL**, Wandre (BE)

(**) Term: **15 Years**

(21) Appl. No.: **35/510,848**

(22) Filed: **Nov. 18, 2020**

(80) **Hague Agreement Data**

Int. Filing Date: **Nov. 18, 2020**

Int. Reg. No.: **DM/211346**

Int. Reg. Date: **Nov. 18, 2020**

Int. Reg. Pub. Date: **Dec. 4, 2020**

(30) **Foreign Application Priority Data**

May 22, 2020 (EM) 007960984-0001

(51) **LOC (13) Cl.** **31-00**

(52) **U.S. Cl.**

USPC **D7/323; D7/368**

(58) **Field of Classification Search**

USPC D7/213, 323, 330, 337, 340, 348, 350.3,
D7/354, 357, 362, 368, 400, 401.1, 401.2,
D7/402, 510, 511, 523, 533, 536, 566,
D7/600, 600.1, 602, 609, 624.1, 638, 672,
D7/701; D6/512, 522, 561, 571, 572,
D6/573, 661, 661.2, 602, 663, 671, 672,
D6/675, 681.2, 683.1; D32/58

CPC ... A47G 1/20; A47J 31/44; A47J 31/52; A47J
43/04; A47J 43/44

See application file for complete search history.

(56) **References Cited**

U.S. PATENT DOCUMENTS

D268,472 S * 4/1983 Nishikawa Hideo D7/350.3

D366,592 S * 1/1996 Cesaroni D7/355

D414,982 S * 10/1999 Hopkins D7/362
6,234,067 B1 * 5/2001 Schmidt A47J 36/12
99/426

D451,335 S * 12/2001 Rossman D7/360
7,064,297 B2 * 6/2006 Tidey A47J 36/12
126/220

D537,670 S * 3/2007 Genslak D7/354

D542,592 S * 5/2007 Lubowicki D7/362

D620,744 S * 8/2010 Rose D7/357

D631,685 S * 2/2011 Tiller D7/337

D646,114 S * 10/2011 Wong D7/357

D664,802 S * 8/2012 Upston D7/362

D672,190 S * 12/2012 Upston D7/354

D697,363 S * 1/2014 Tu D7/357

D714,092 S * 9/2014 Verbrugge D7/352

D715,086 S * 10/2014 Piret D7/352

D763,034 S * 8/2016 Berge D7/362

D819,392 S * 6/2018 Mattei D7/360

(Continued)

Primary Examiner — Karen S Acker

(57) **CLAIM**

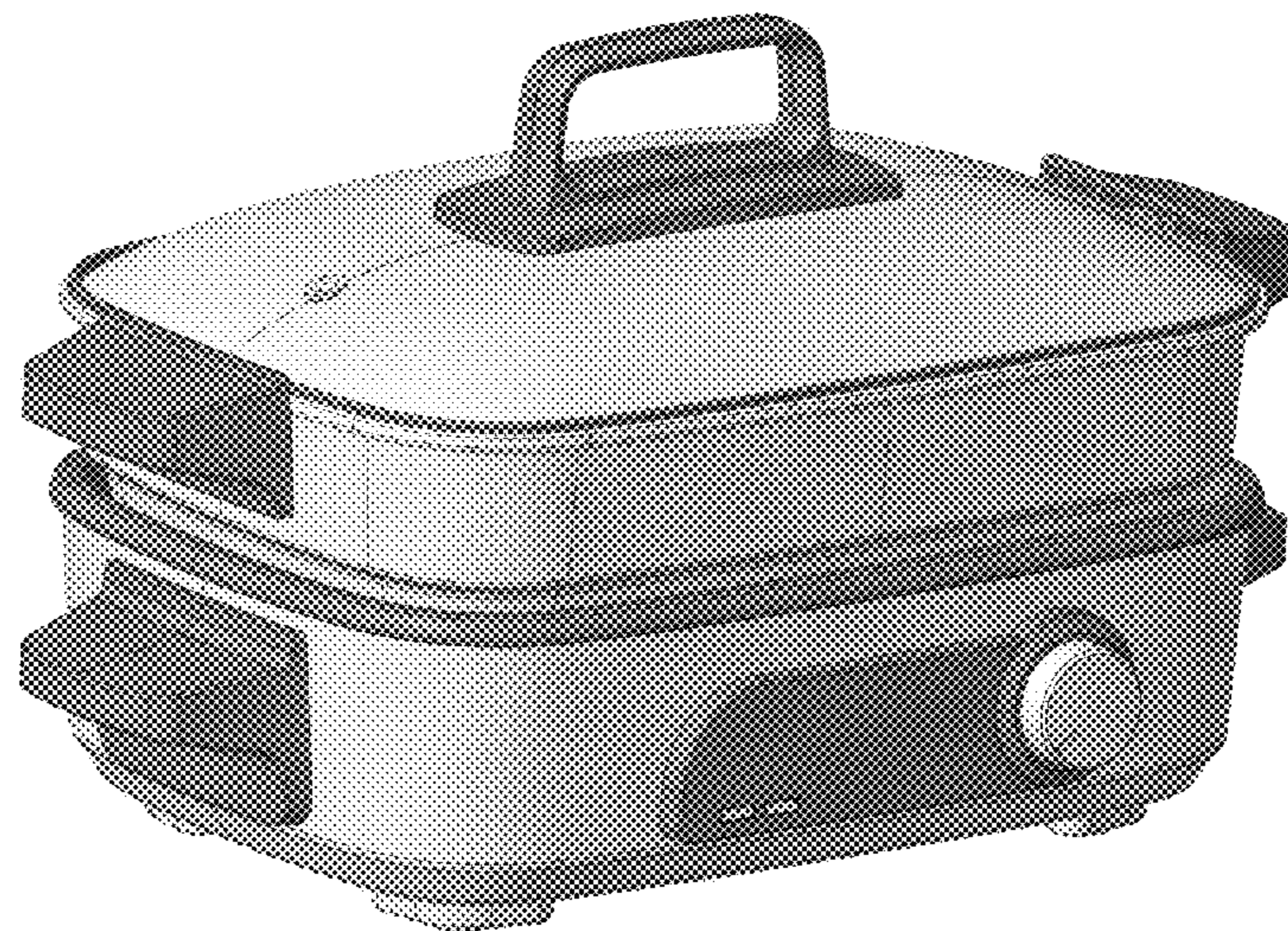
The ornamental design for a food processor, as shown and described.

DESCRIPTION

The patent or application file contains at least one drawing executed in color. Copies of this patent or patent application publication with color drawing(s) will be provided by the Office upon request and payment of the necessary fee.

1. Food processor
 - 1.1: front and left perspective
 - 1.2: front
 - 1.3: rear
 - 1.4: right
 - 1.5: left
 - 1.6: top
 - 1.7: bottom
 - 1.8: rear and right perspective

1 Claim, 8 Drawing Sheets
(8 of 8 Drawing Sheet(s) Filed in Color)



(56)

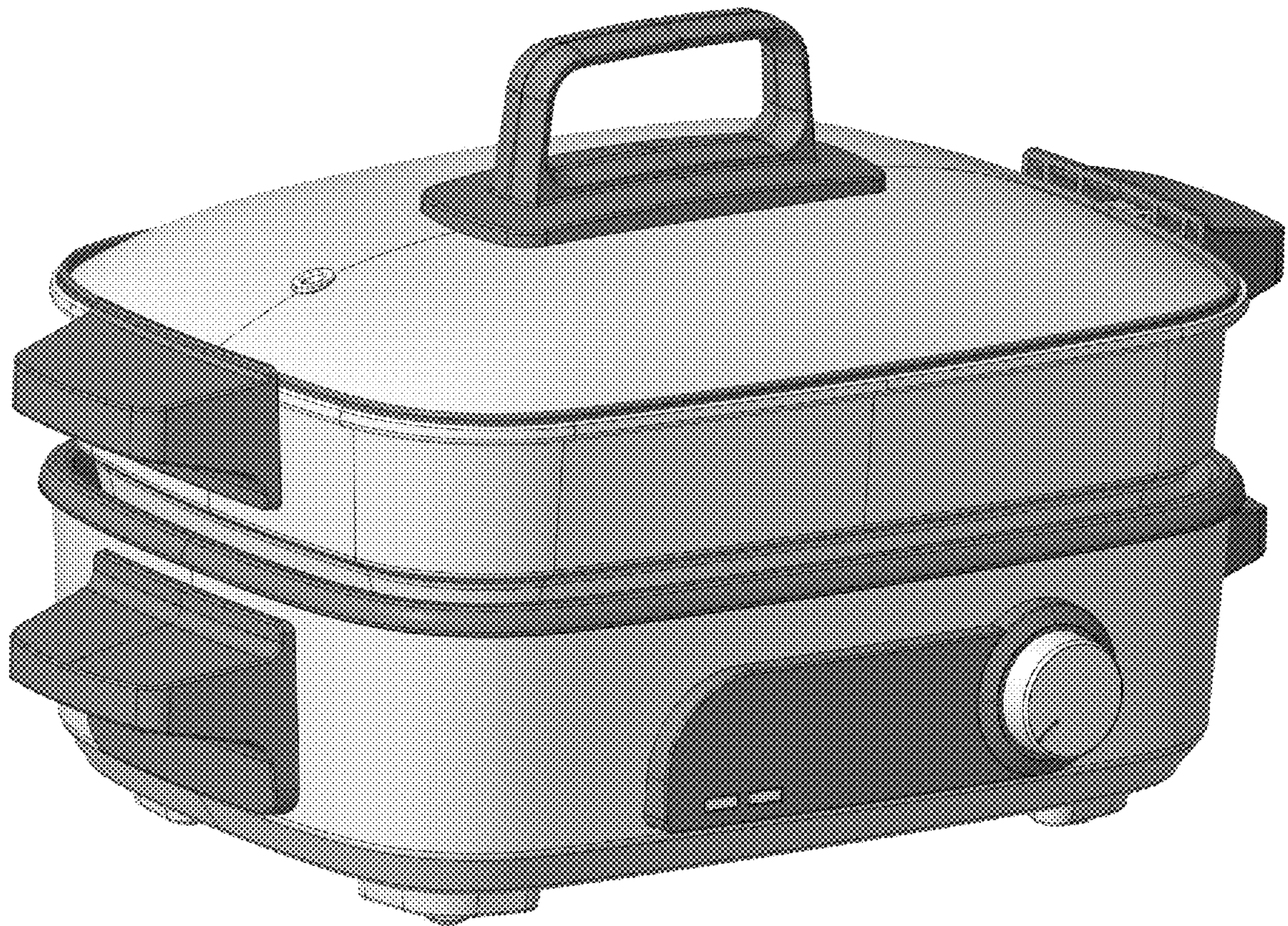
References Cited

U.S. PATENT DOCUMENTS

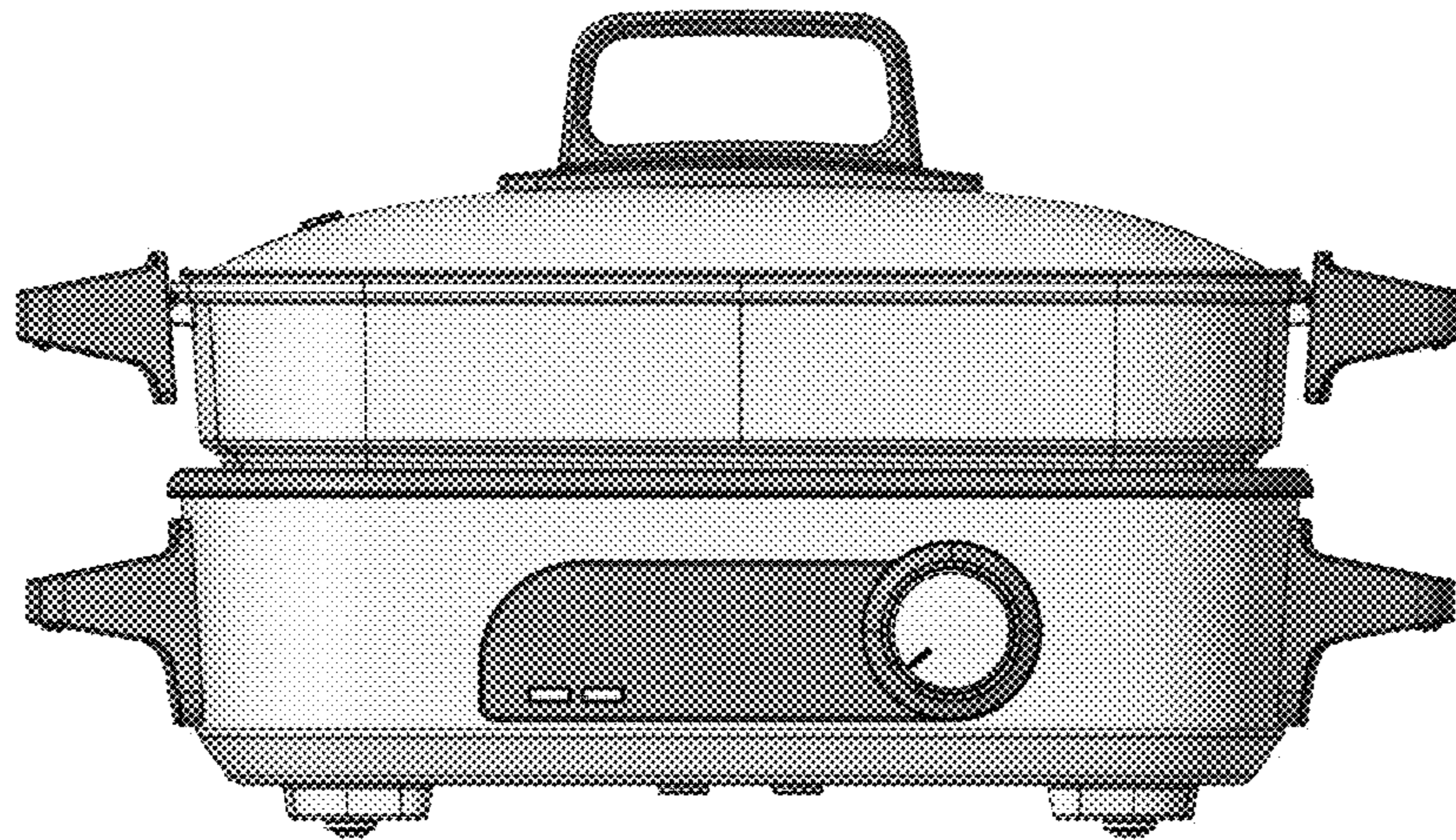
D842,023	S	*	3/2019	Carlson	D7/367
D862,974	S	*	10/2019	Miyawaki	D7/362
D866,240	S	*	11/2019	Glucksman	D7/354
D873,599	S	*	1/2020	Yan	D7/354
D880,930	S	*	4/2020	Zhang	D7/357
D926,514	S	*	8/2021	Du	A47J 36/12
						D7/362
D936,407	S	*	11/2021	Kim	A47J 36/12
						D7/337

* cited by examiner

1.1



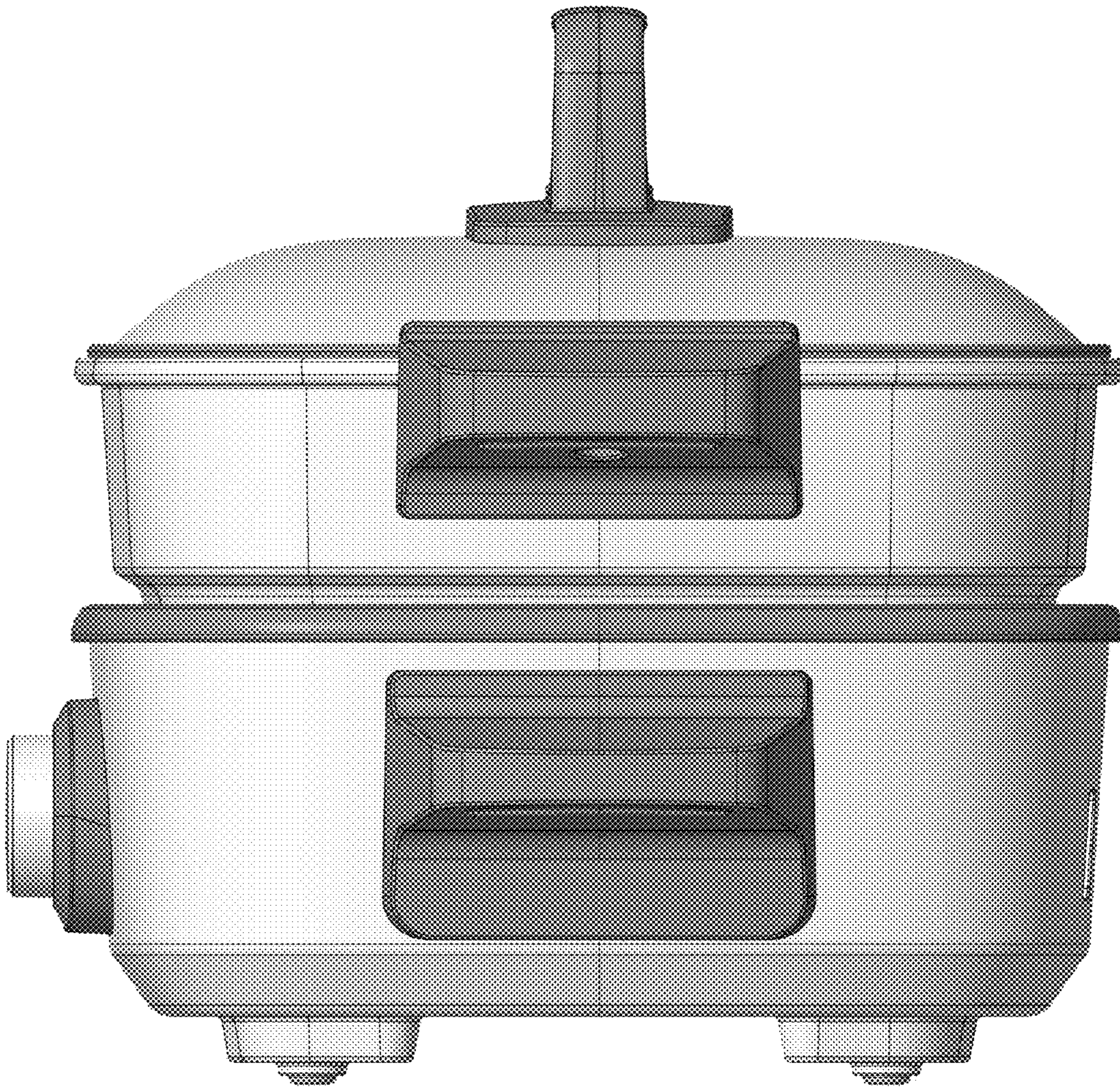
1.2



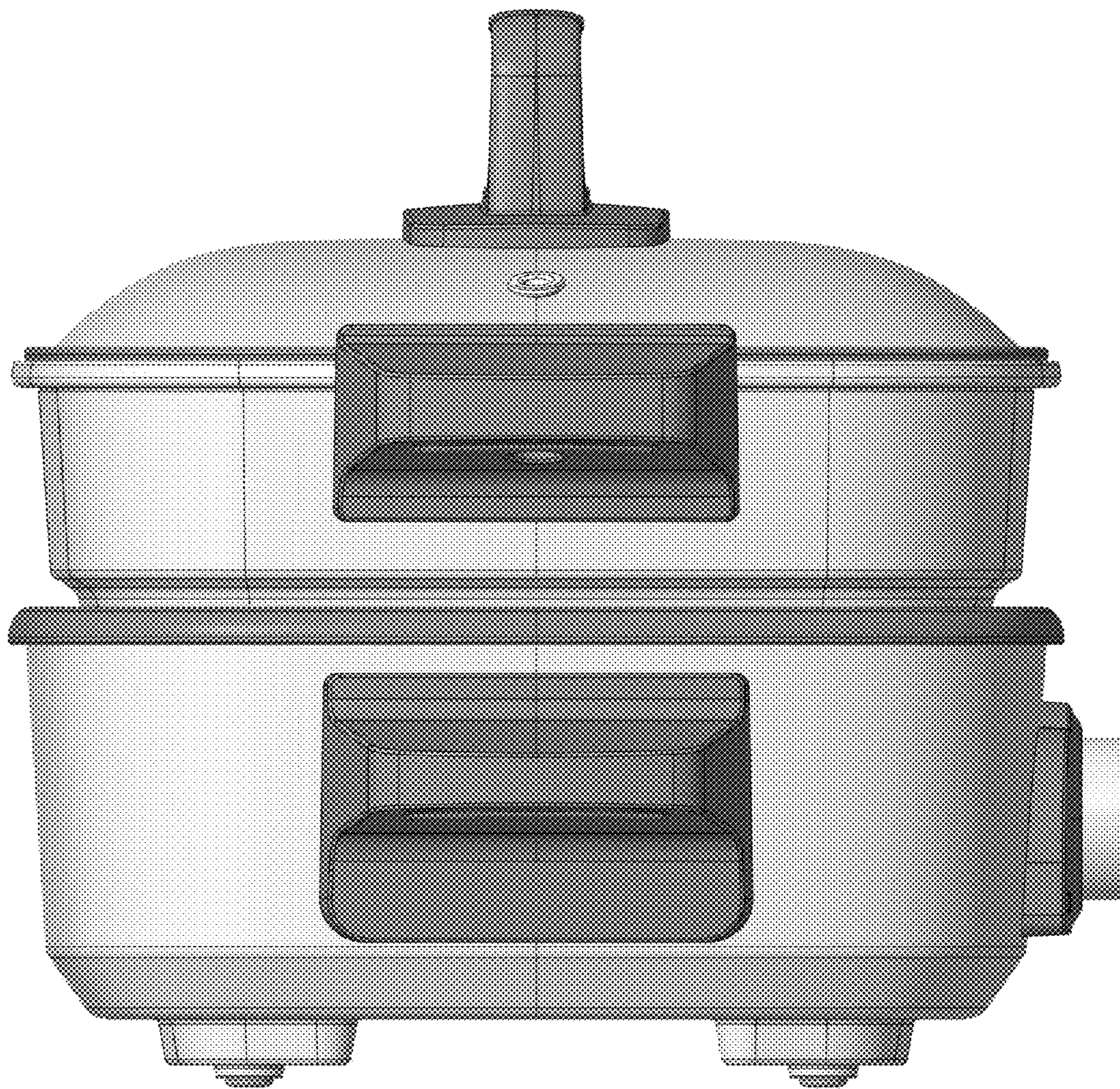
1.3



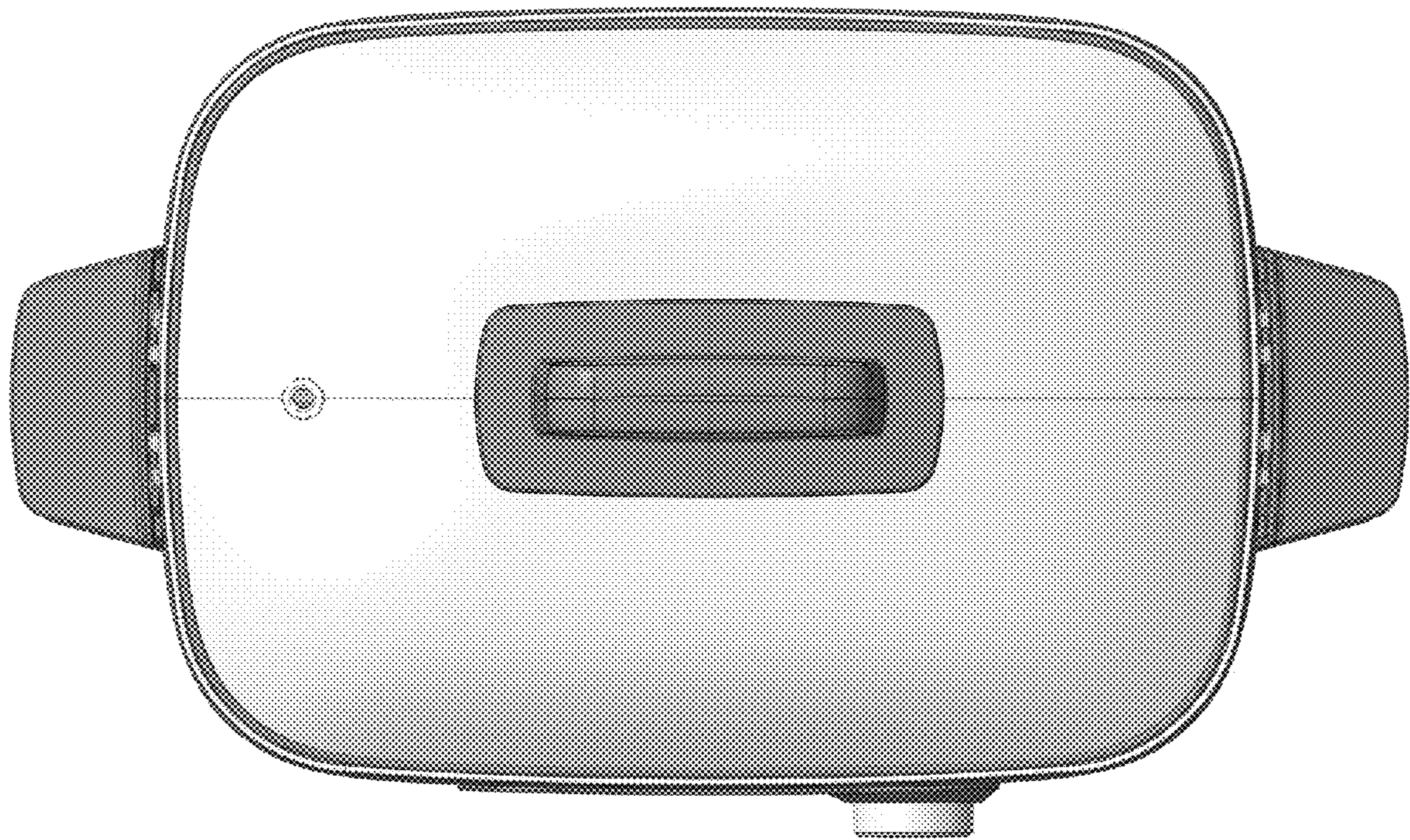
1.4



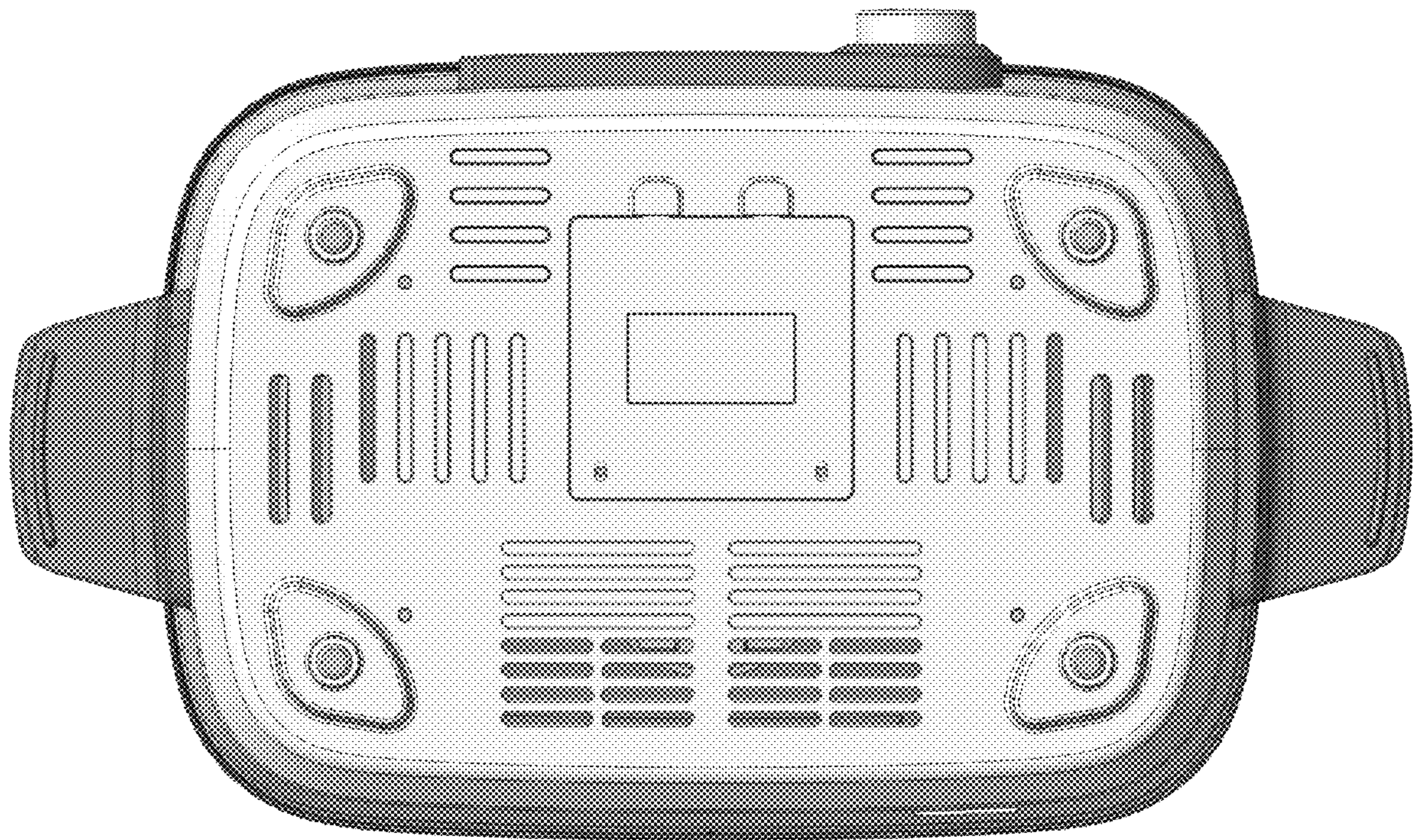
1.5



1.6



1.7



1.8

