



US00D950294S

(12) **United States Design Patent** (10) **Patent No.:** **US D950,294 S**  
**Thun et al.** (45) **Date of Patent:** **\*\* May 3, 2022**

(54) **KETTLE**

(71) Applicant: **Zwilling J.A. Henckels AG**, Solingen (DE)

(72) Inventors: **Matteo Thun**, Mailand (IT); **Antonio Rodriguez**, Mailand (IT)

(73) Assignee: **Zwilling J.A. Henckels AG**, Solingen (DE)

(\*\*) Term: **15 Years**

(21) Appl. No.: **29/682,519**

(22) Filed: **Mar. 6, 2019**

(30) **Foreign Application Priority Data**

Sep. 11, 2018 (EM) ..... 005636552-0001

(51) **LOC (13) Cl.** ..... **07-03**

(52) **U.S. Cl.**  
USPC ..... **D7/318**

(58) **Field of Classification Search**  
USPC ..... D7/317-319  
CPC ..... A47G 19/16; A47G 19/12; A47J 31/20  
See application file for complete search history.

(56) **References Cited**

U.S. PATENT DOCUMENTS

D731,226	S	*	6/2015	Sun	.....	D7/318
D738,669	S	*	9/2015	Brook	.....	D7/318
D830,759	S	*	10/2018	Vu	.....	D7/319
D874,863	S	*	2/2020	Ghalambor Dezfuli	.....	D7/319
D878,848	S	*	3/2020	Hu	.....	D7/317
D880,926	S	*	4/2020	Thun	.....	D7/317
D893,946	S	*	8/2020	McConnell	.....	D7/399
2019/0350401	A1	*	11/2019	Zimmermann	.....	A47J 31/446

\* cited by examiner

*Primary Examiner* — Charles D Hanson

(74) *Attorney, Agent, or Firm* — Gregory L. Mayback;  
Dickinson Wright PLLC

(57) **CLAIM**

The ornamental design for a kettle, as shown and described.

**DESCRIPTION**

FIG. 1 is a perspective view of a kettle showing our new design;

FIG. 2 is a top plan view thereof;

FIG. 3 is a left side elevation view thereof;

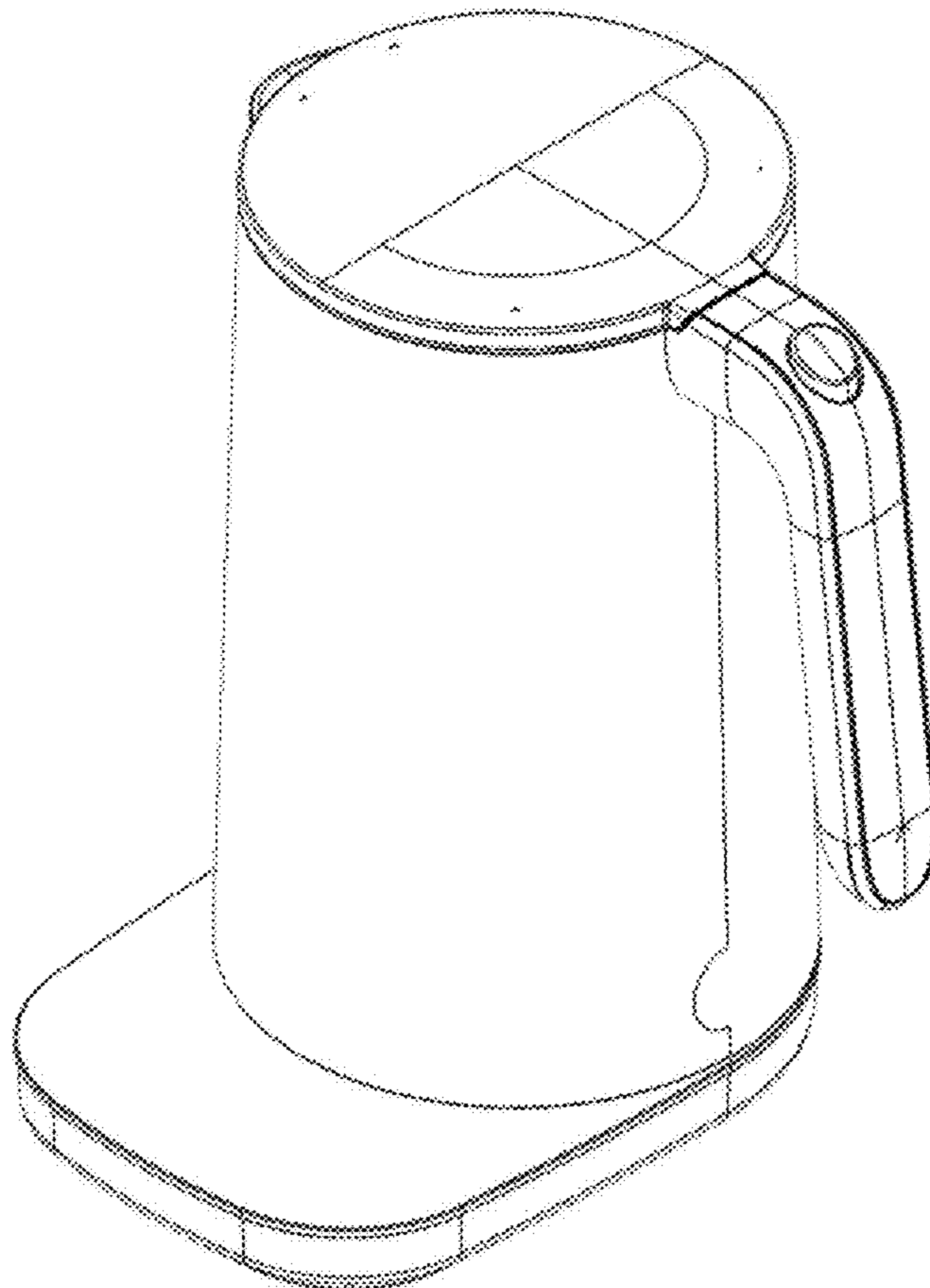
FIG. 4 is a front elevation view thereof;

FIG. 5 is a right side elevation view thereof;

FIG. 6 is a rear elevation view thereof; and,

FIG. 7 is a bottom plan view thereof.

**1 Claim, 7 Drawing Sheets**



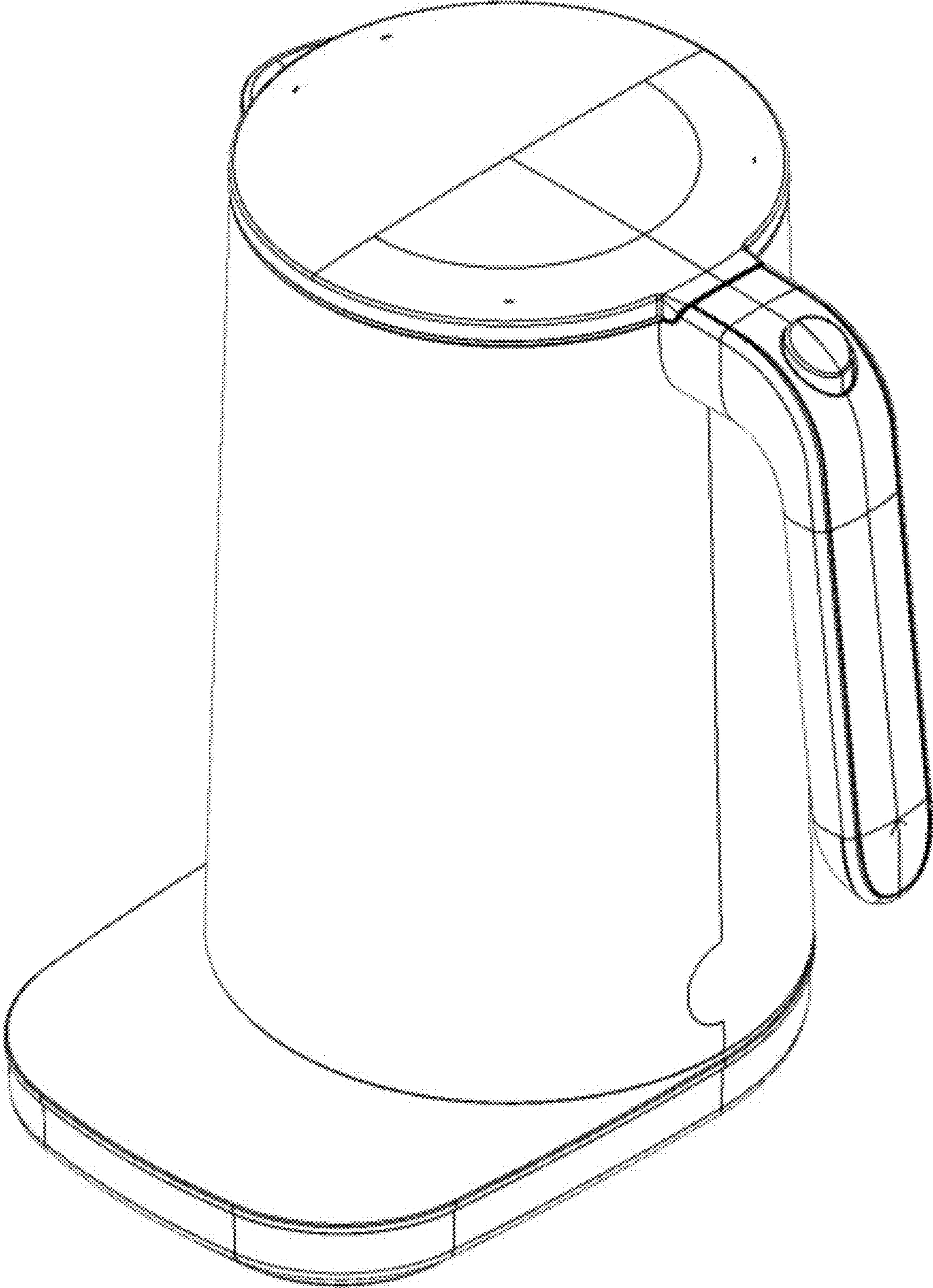


FIG. 1

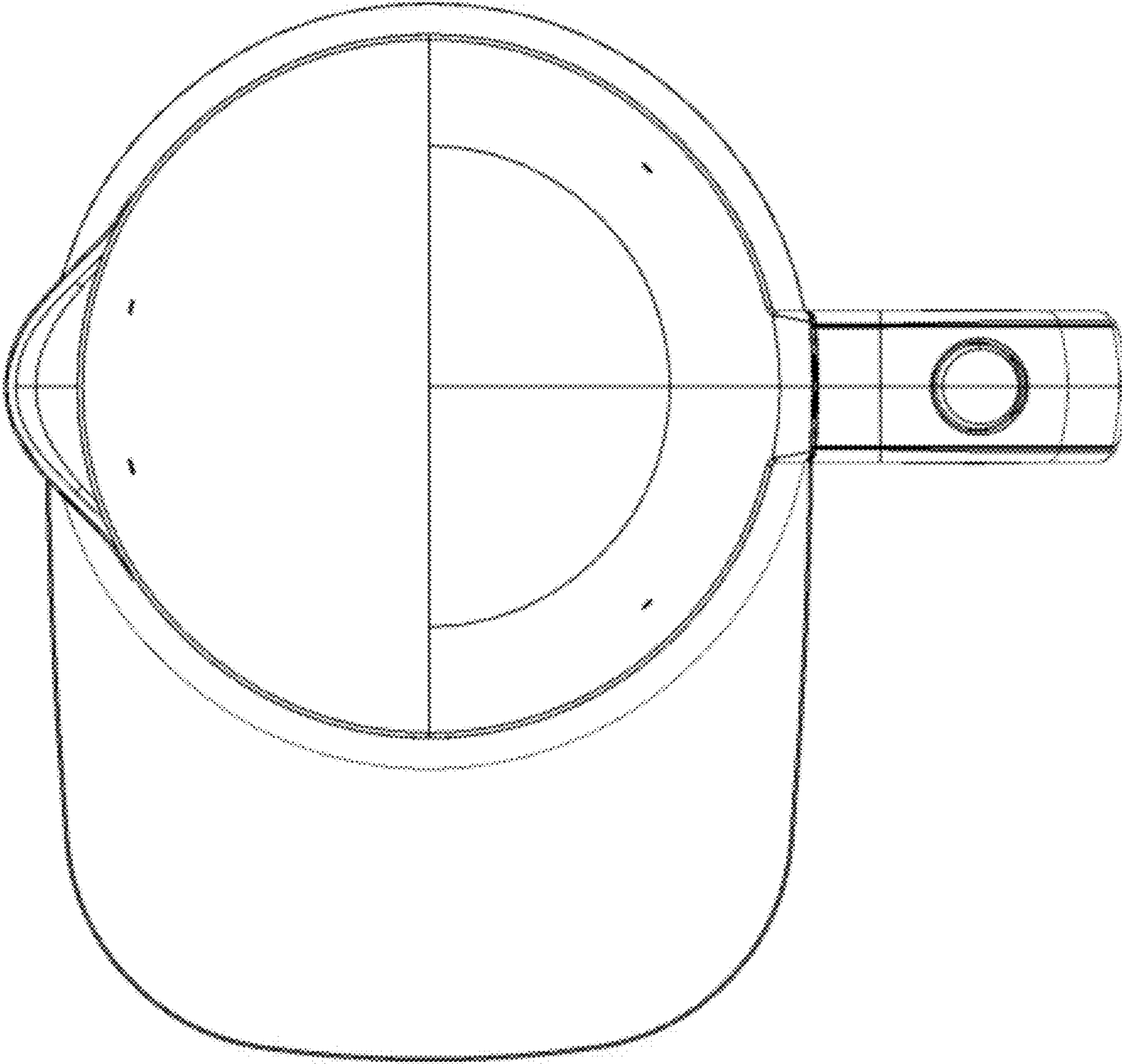


FIG. 2

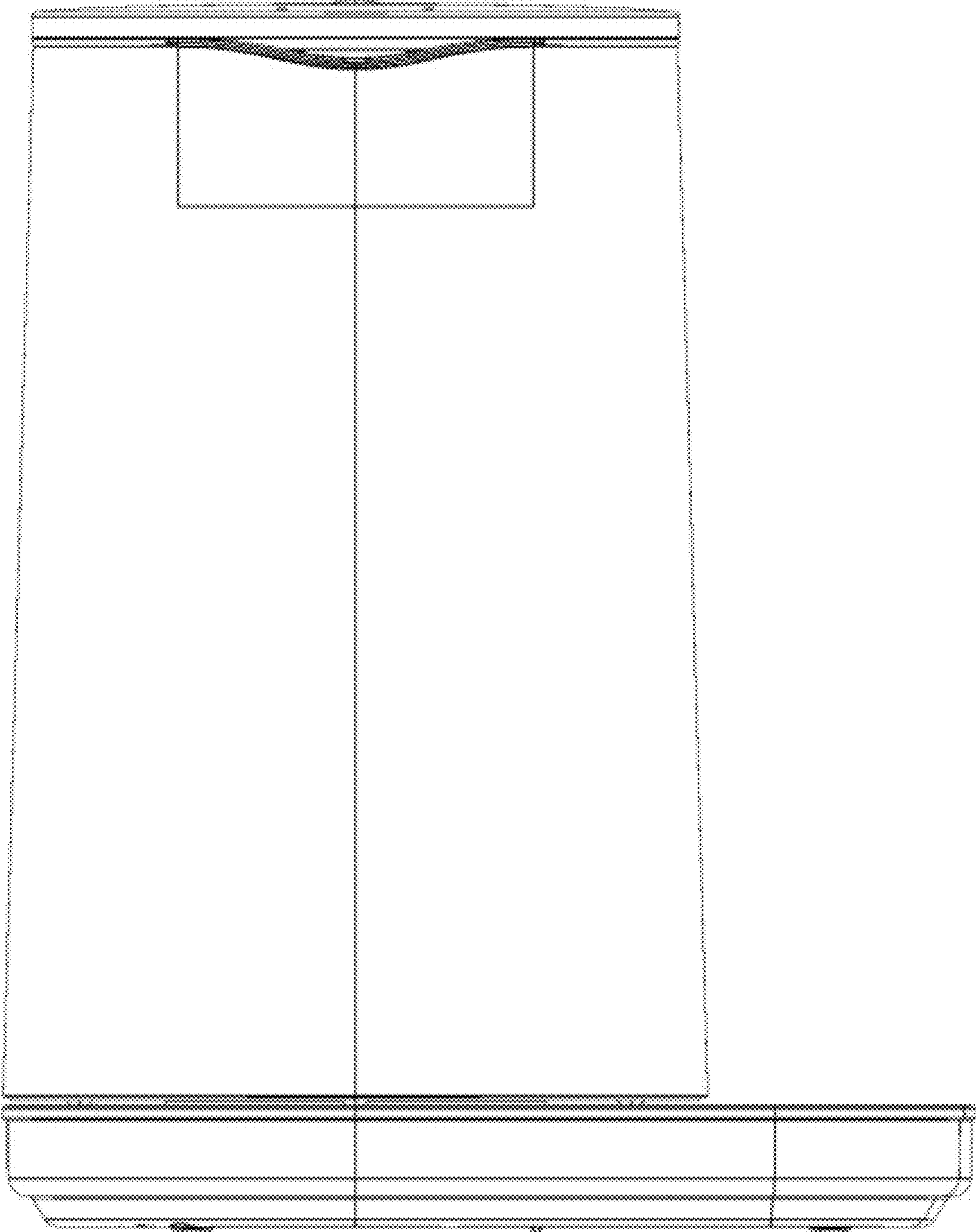


FIG. 3

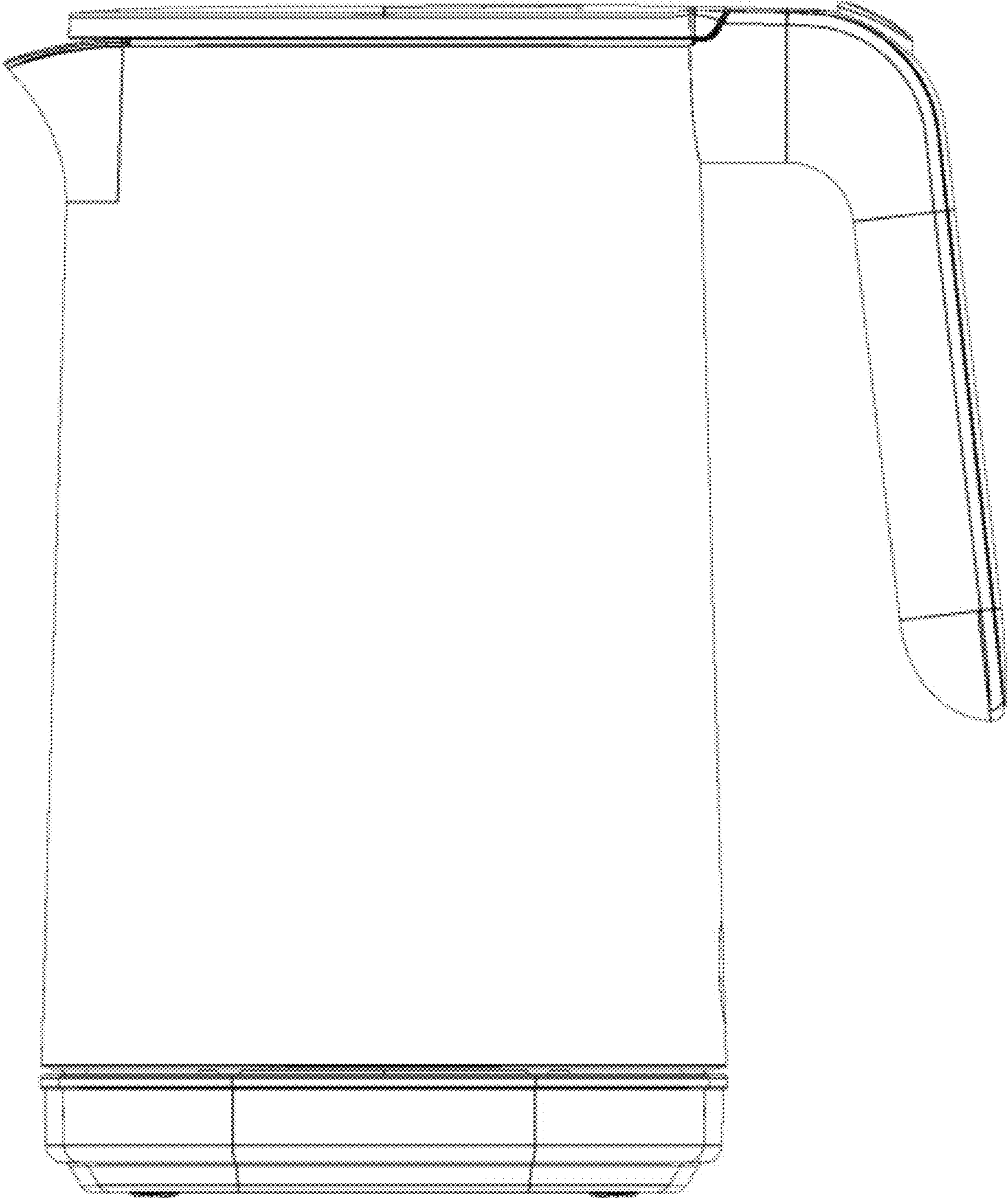


FIG. 4

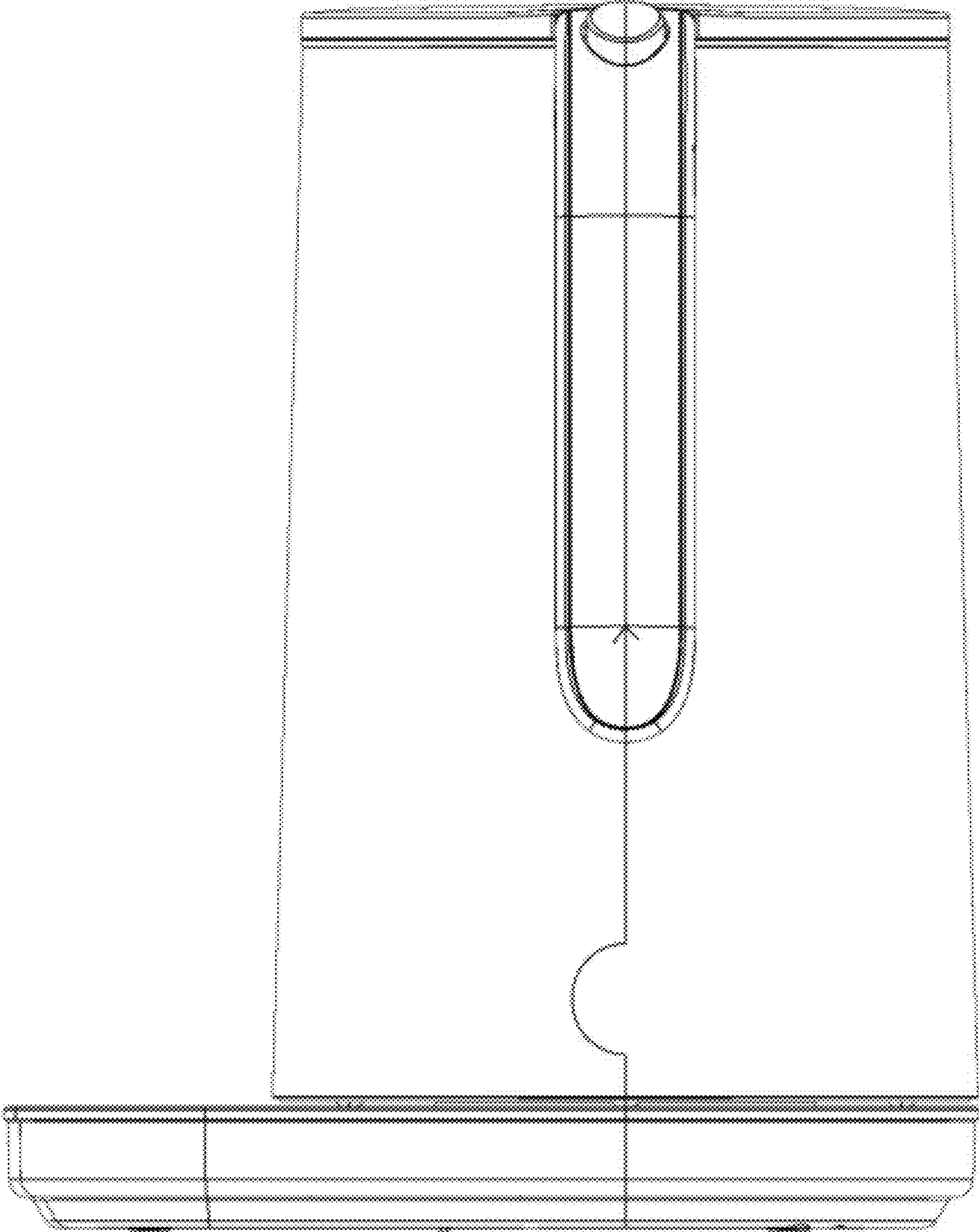


FIG. 5

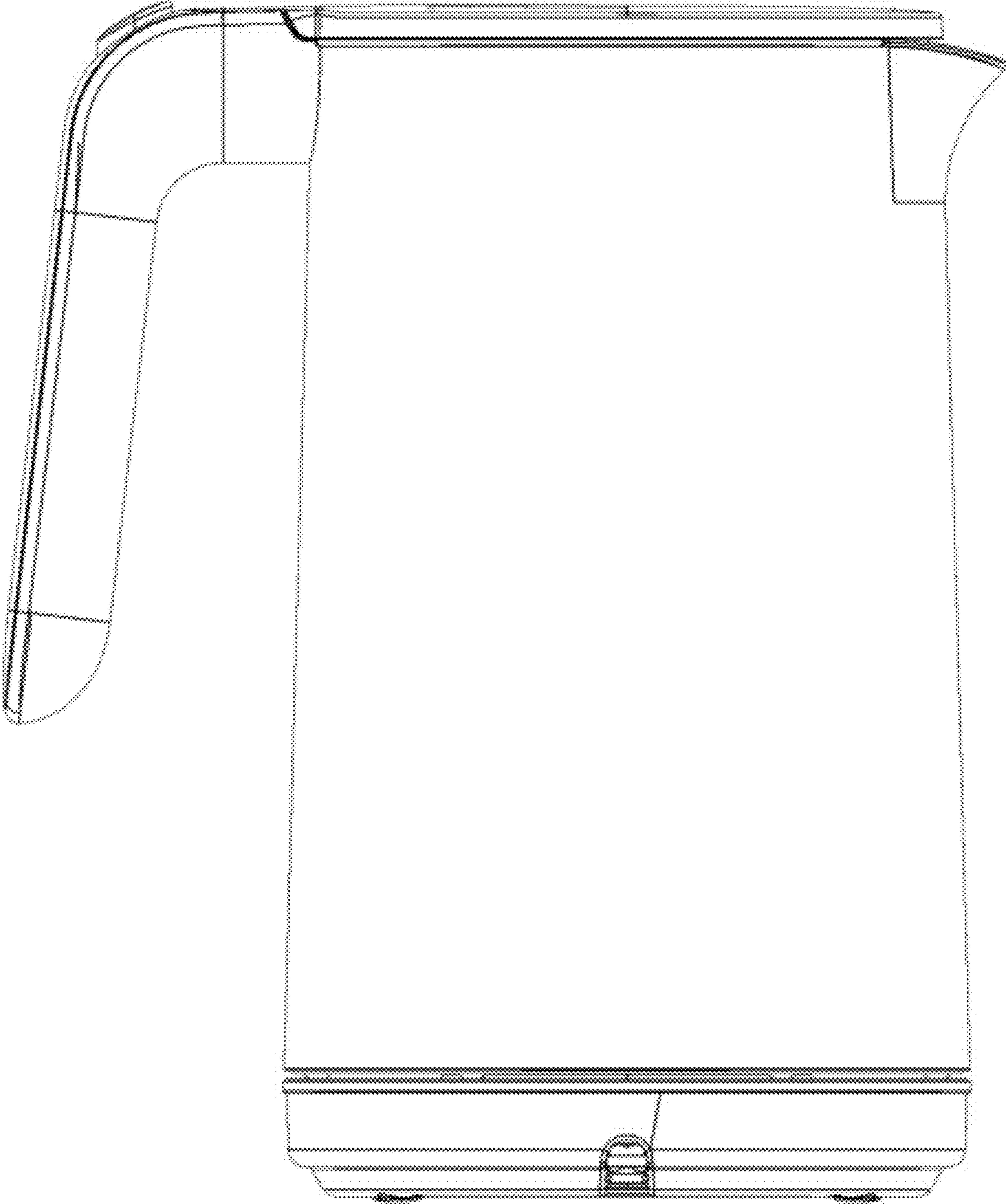


FIG. 6

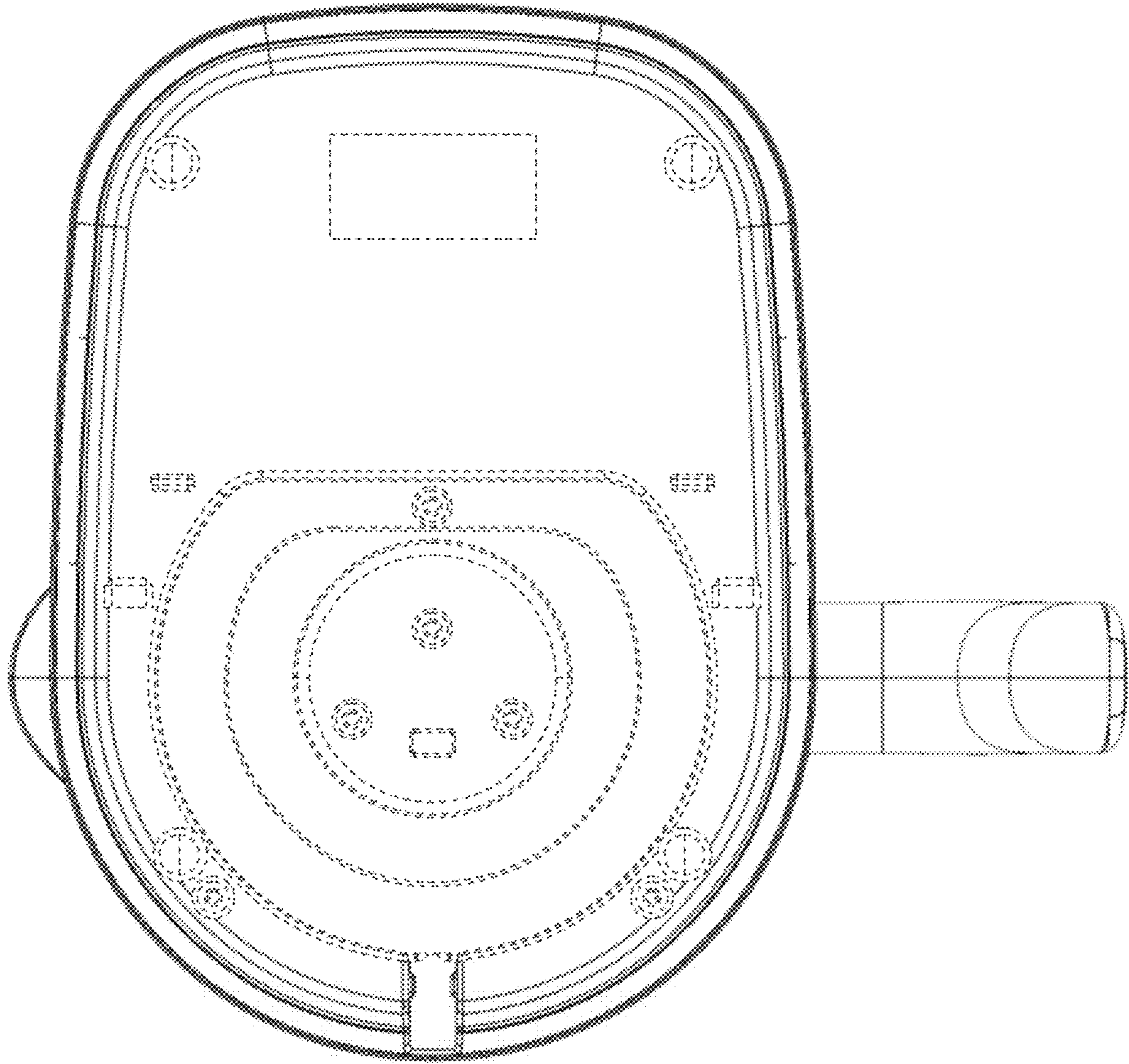


FIG. 7