



US00D950292S

(12) **United States Design Patent** (10) **Patent No.:** **US D950,292 S**
Finnance (45) **Date of Patent:** **** May 3, 2022**

(54) **COFFEE BREWER**
 (71) Applicant: **Capbran Holdings, LLC**, Los Angeles, CA (US)

D721,531 S * 1/2015 Krasne D7/309
 D861,407 S * 10/2019 Vu D7/310
 D879,530 S * 3/2020 Cauwood D7/306
 D885,106 S * 5/2020 Ye D7/306
 2014/0013958 A1* 1/2014 Krasne A47J 31/407
 99/284

(72) Inventor: **Robert Finnance**, Los Angeles, CA (US)

* cited by examiner

(73) Assignee: **Capbran Holdings, LLC**, Los Angeles, CA (US)

Primary Examiner — Andrew Kerr
 (74) *Attorney, Agent, or Firm* — Trojan Law Offices

(**) Term: **15 Years**

(57) **CLAIM**

(21) Appl. No.: **29/764,084**

The ornamental design for a coffee brewer, as shown and described.

(22) Filed: **Dec. 28, 2020**

(51) **LOC (13) Cl.** **07-01**

DESCRIPTION

(52) **U.S. Cl.**
 USPC **D7/309**

(58) **Field of Classification Search**
 USPC D7/300, 305, 306, 309–311, 355, 362, D7/365, 367, 397
 CPC A47J 31/46; A47J 31/407; A47J 31/50; A47J 31/18; A47J 31/00; A47J 31/0573; A47J 31/52; A47J 27/04
 See application file for complete search history.

FIG. 1 is a front, right perspective view of a coffee brewer in accordance with the present design;
 FIG. 2 is a left perspective view thereof;
 FIG. 3 is a right perspective view thereof;
 FIG. 4 is a back perspective view thereof;
 FIG. 5 is a front view thereof;
 FIG. 6 is a back view thereof;
 FIG. 7 is a left view thereof;
 FIG. 8 is a right view thereof;
 FIG. 9 is a top view thereof; and,
 FIG. 10 is a bottom view thereof.

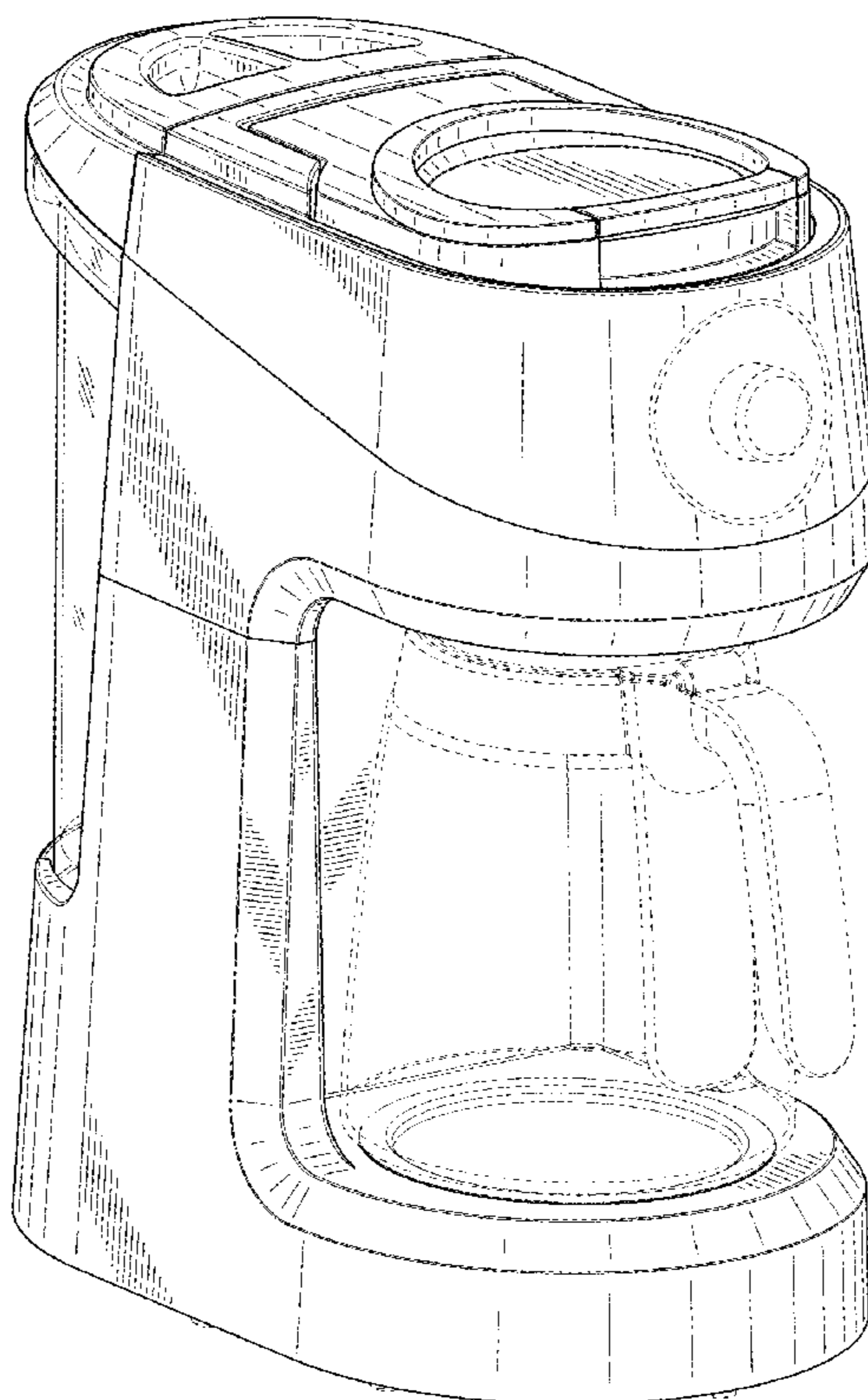
Any broken lines, shown throughout in the drawing figures, are included for the purpose of illustrating environmental structures and form no part of the claimed design.

(56) **References Cited**

U.S. PATENT DOCUMENTS

D511,066 S * 11/2005 Garner D7/309
 D546,112 S * 7/2007 Rorke D7/309
 D550,499 S * 9/2007 Argabrite D7/309
 D627,188 S * 11/2010 Picozza D7/309

1 Claim, 9 Drawing Sheets



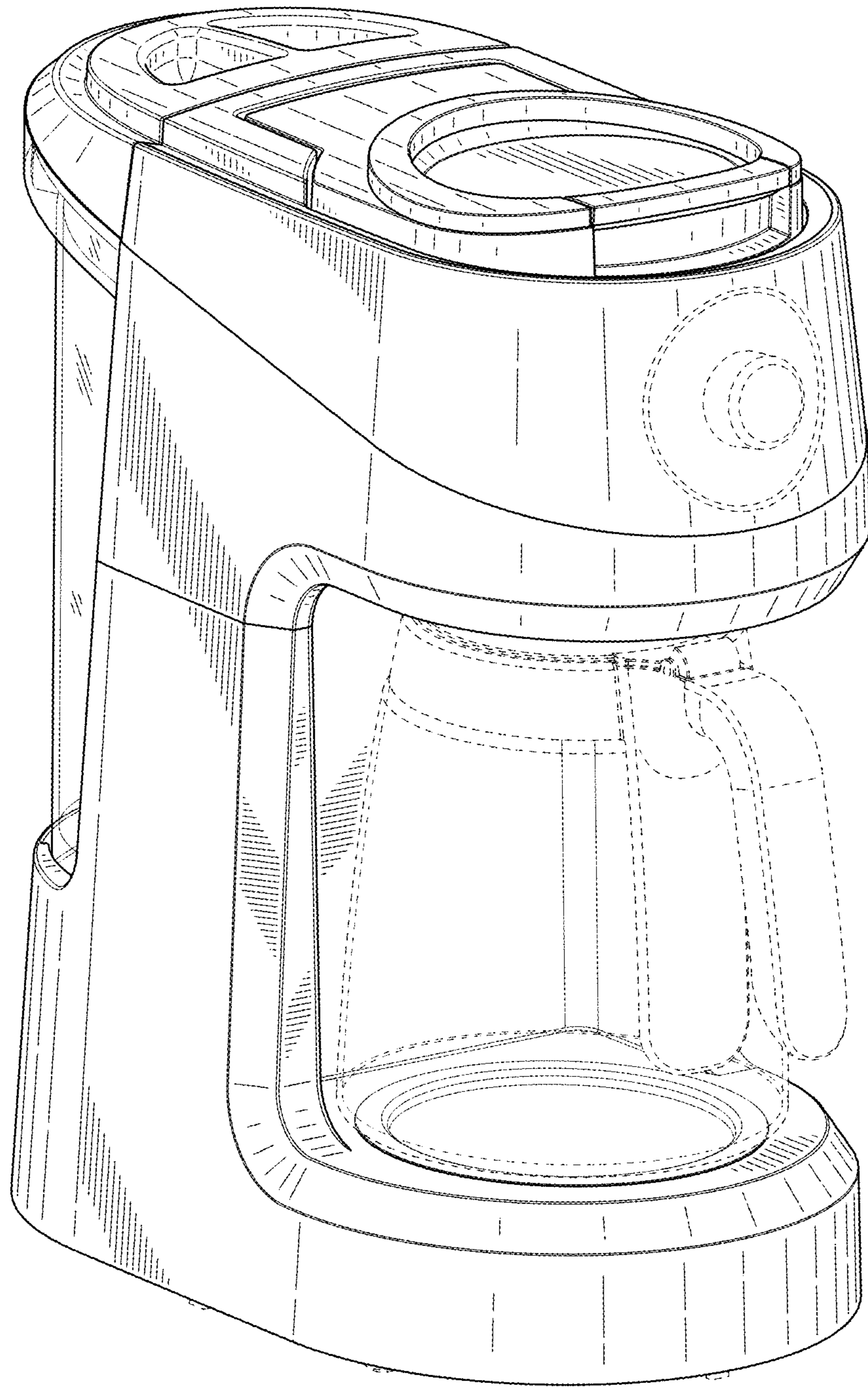


FIG. 1

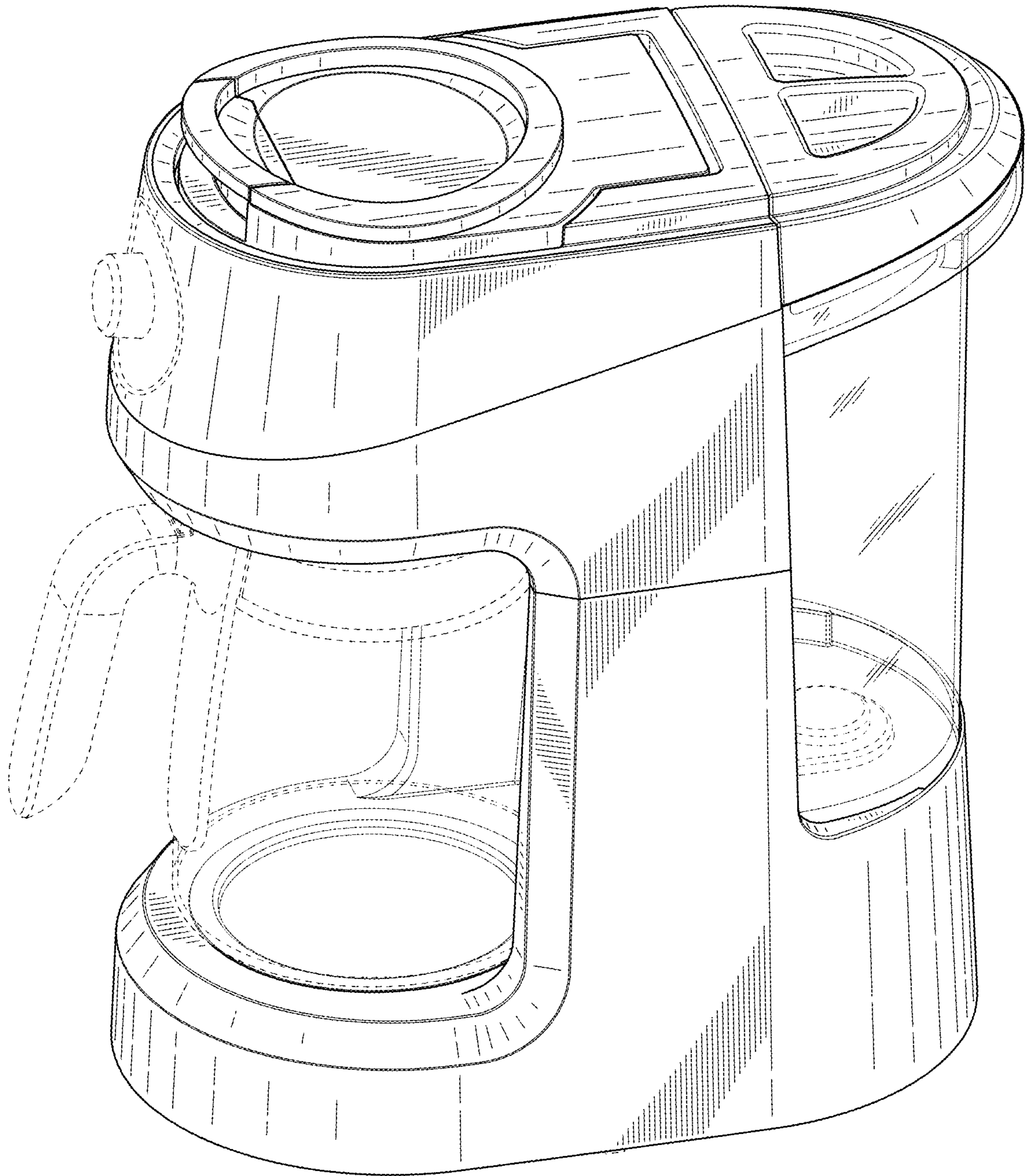


FIG. 2

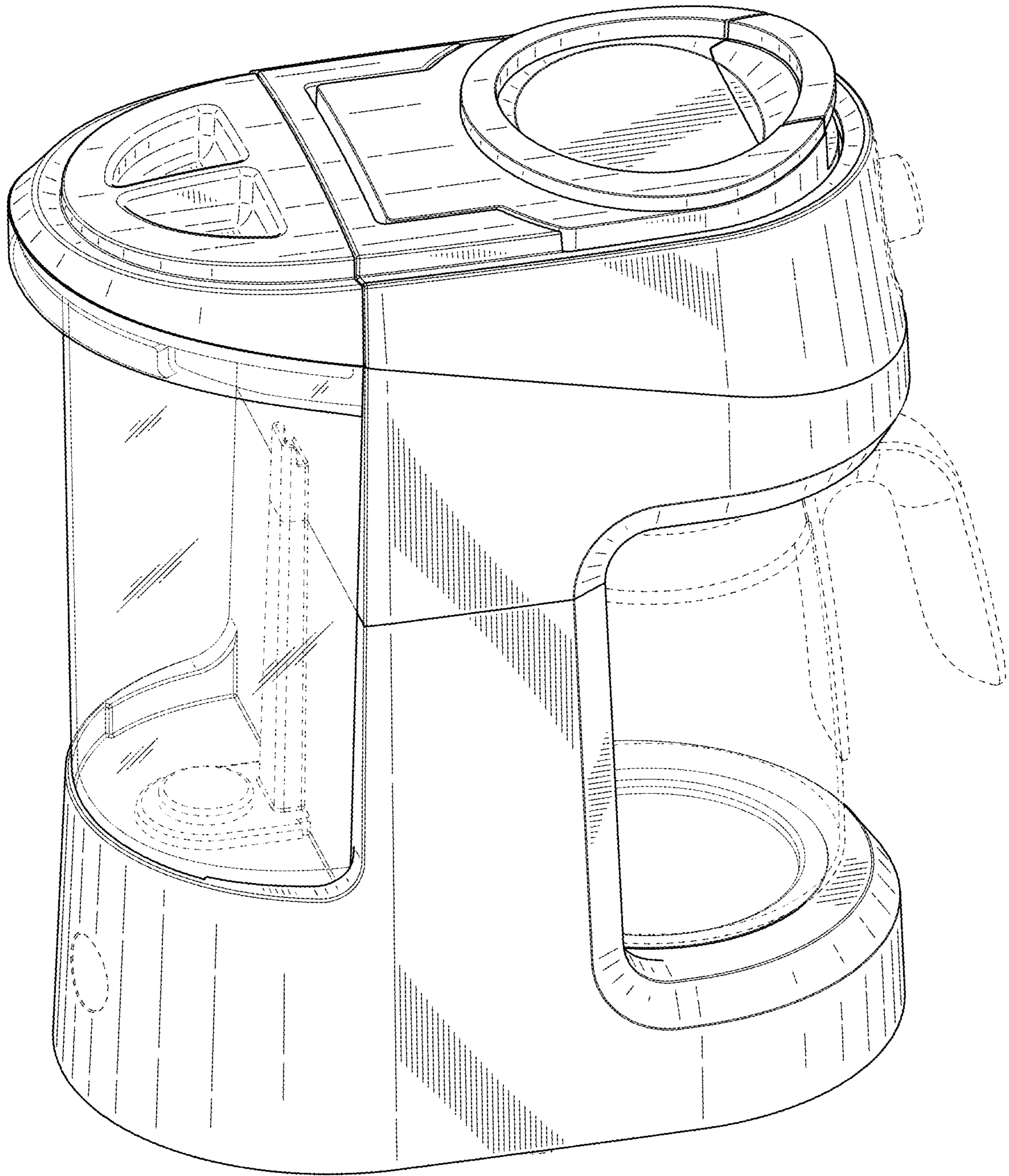


FIG. 3

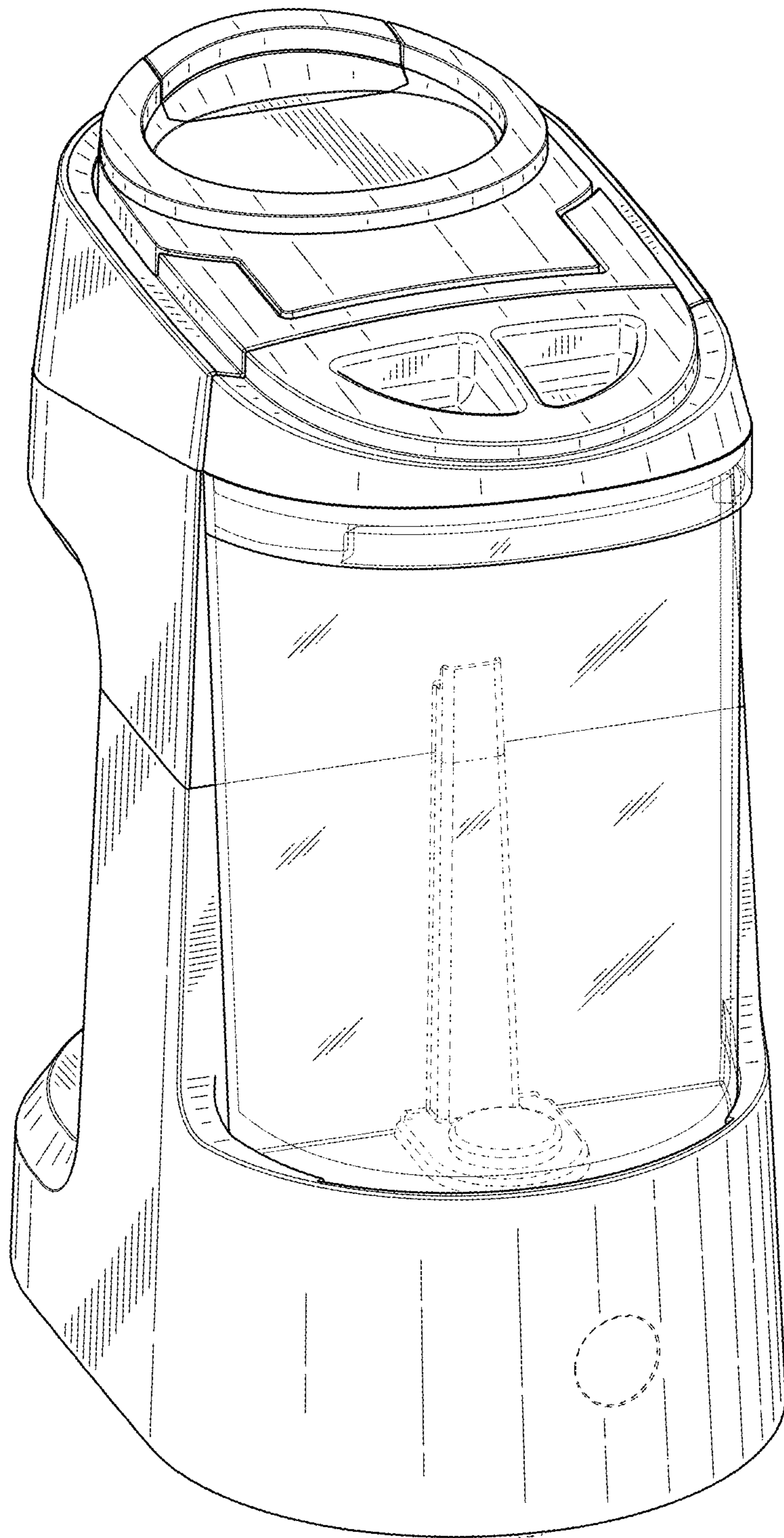


FIG. 4

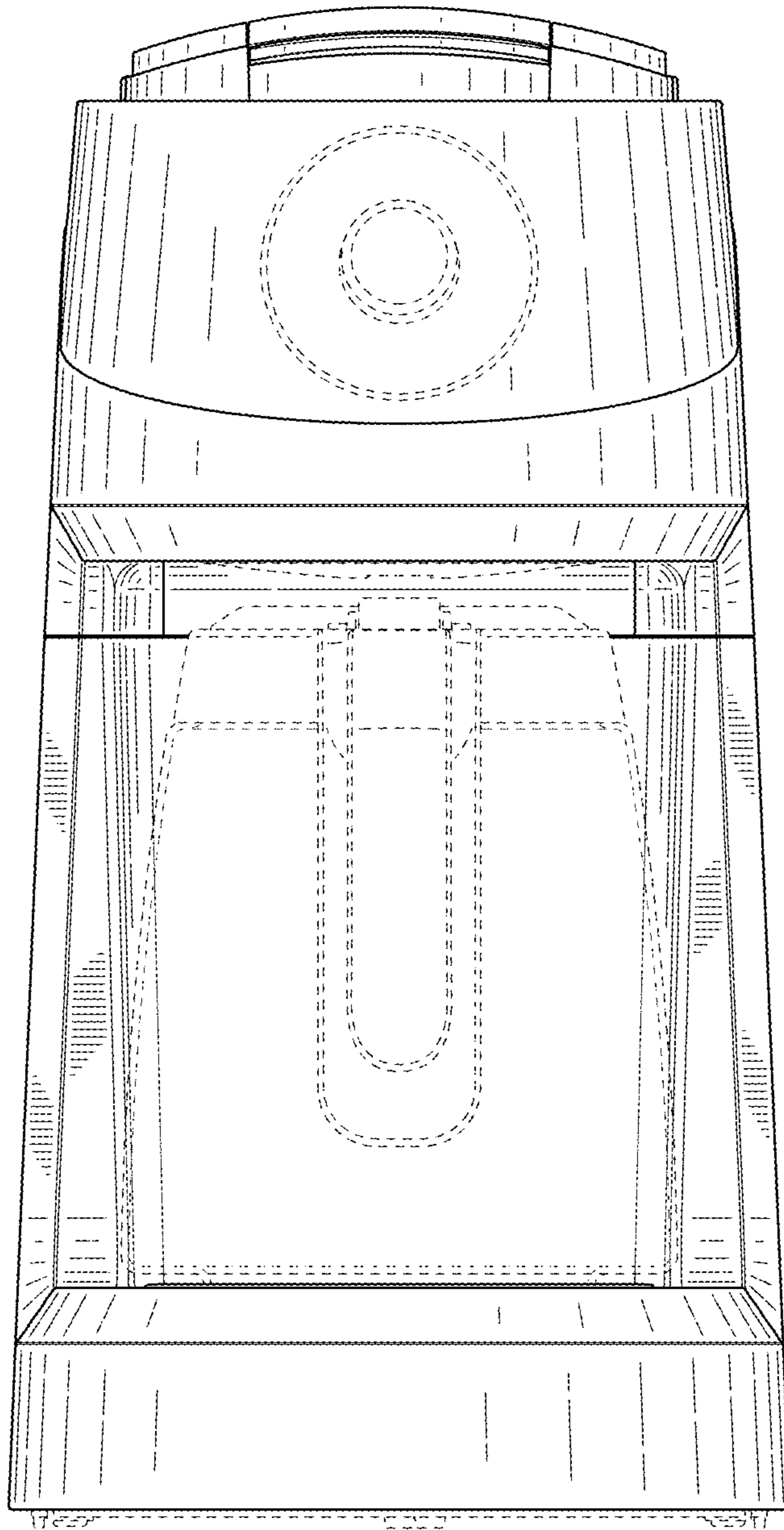


FIG. 5

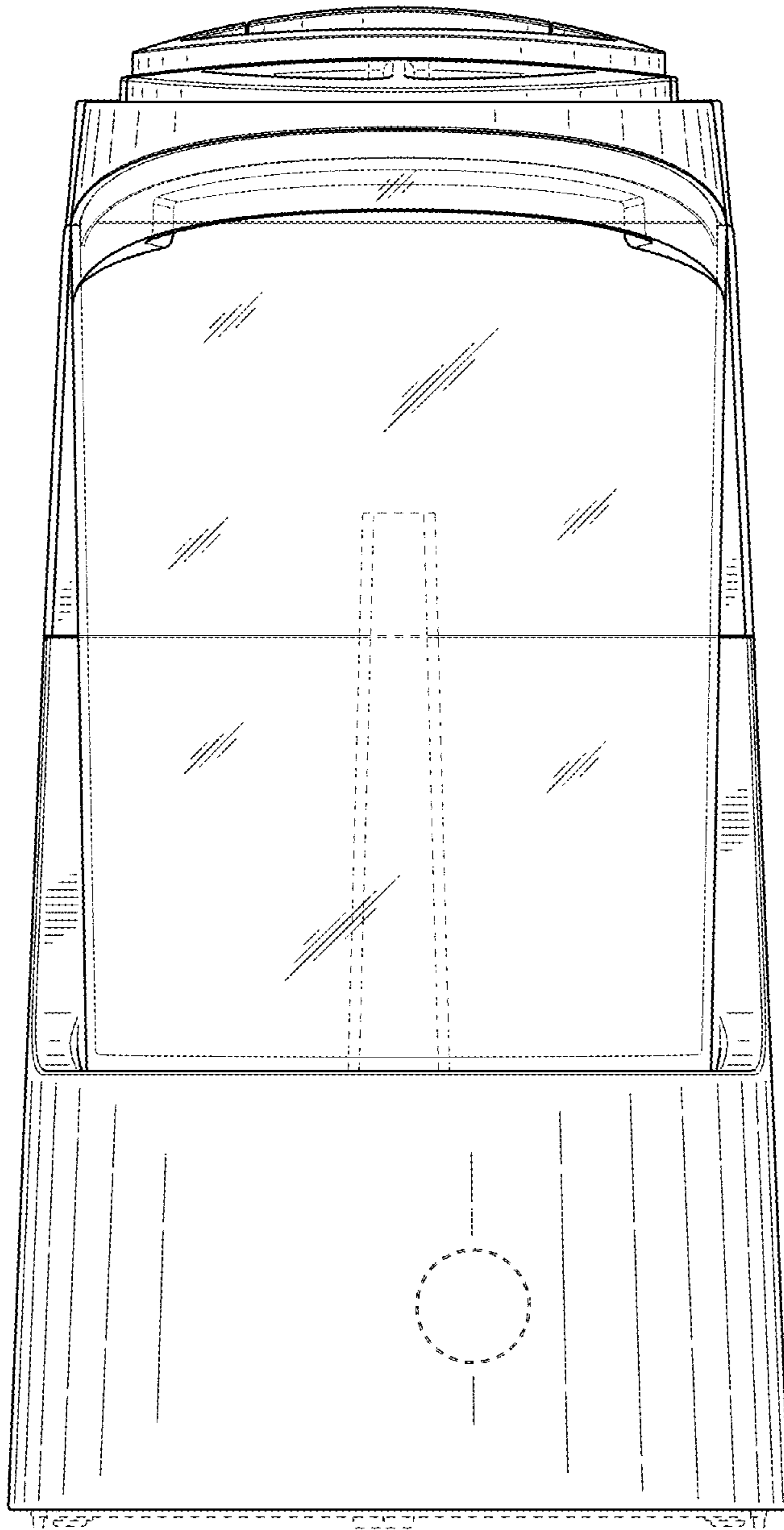


FIG. 6

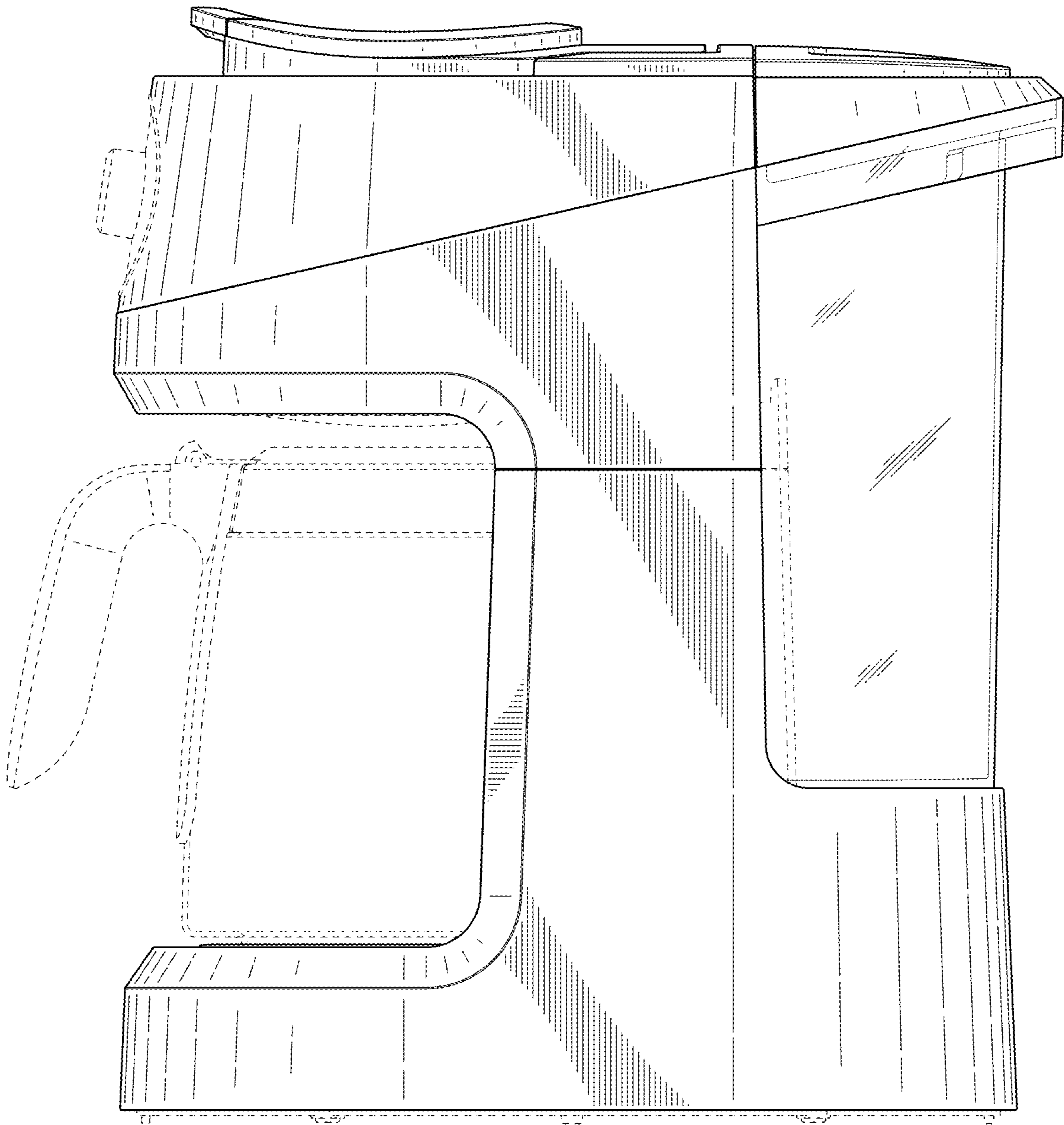


FIG. 7

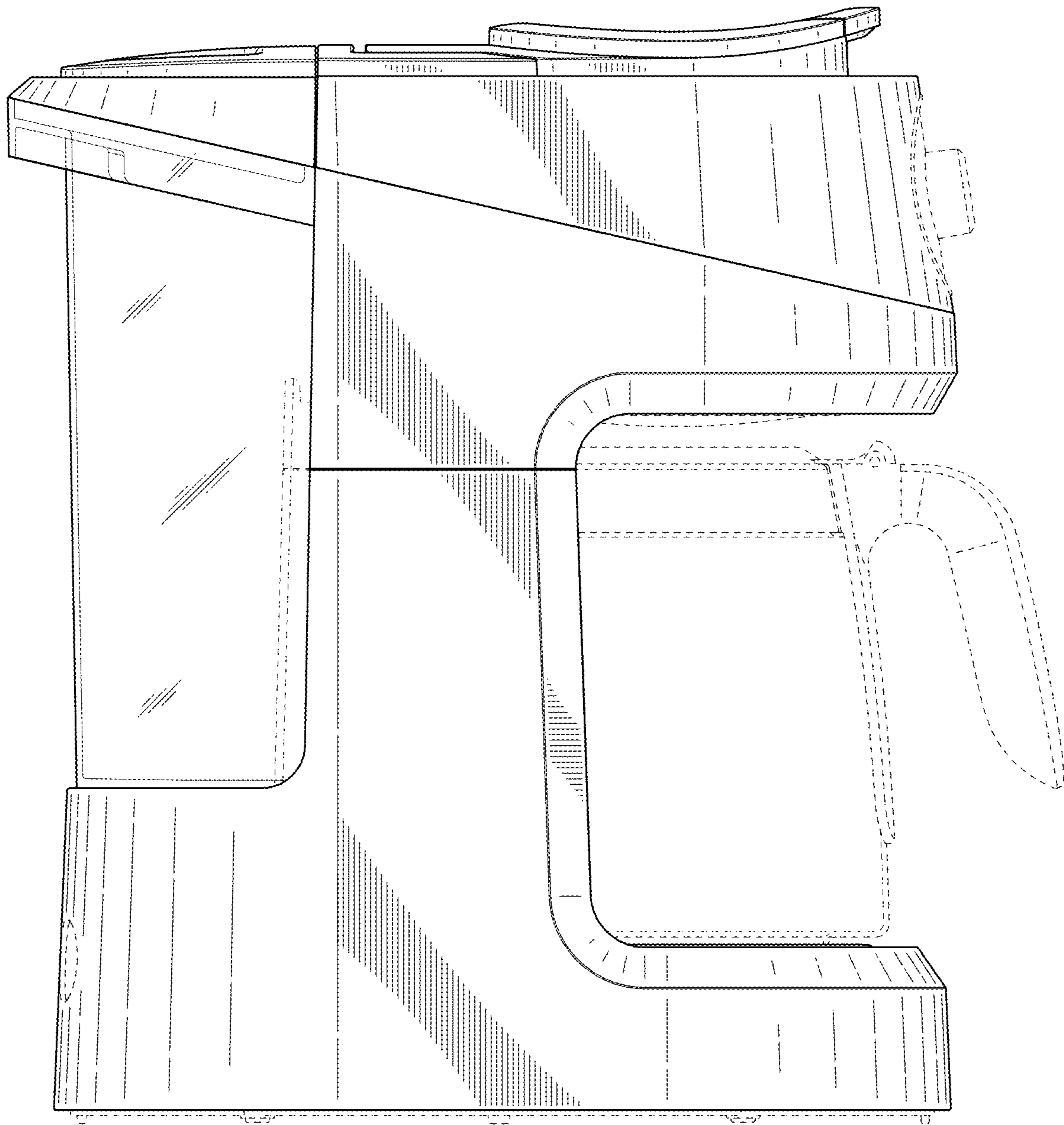


FIG. 8

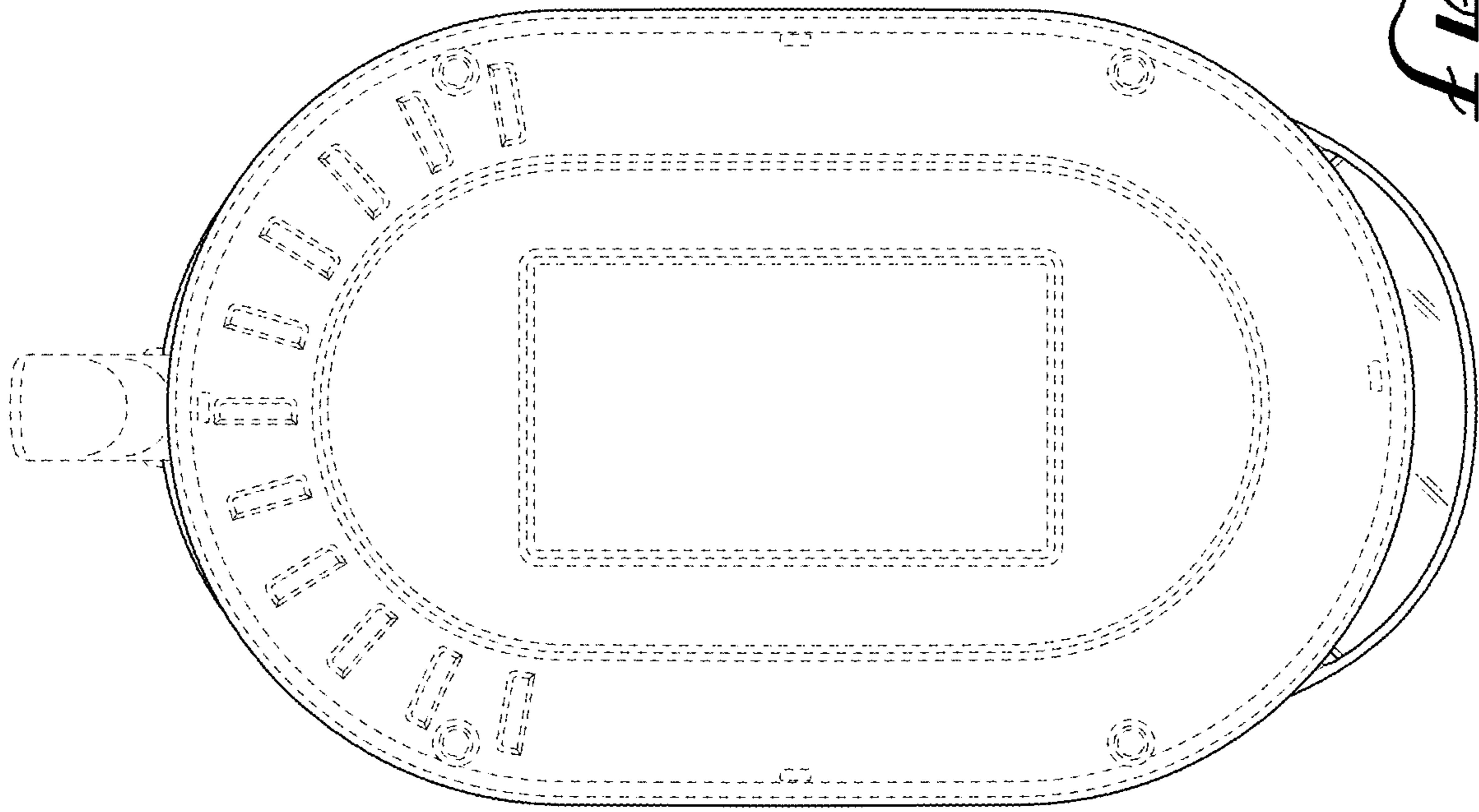


FIG. 10

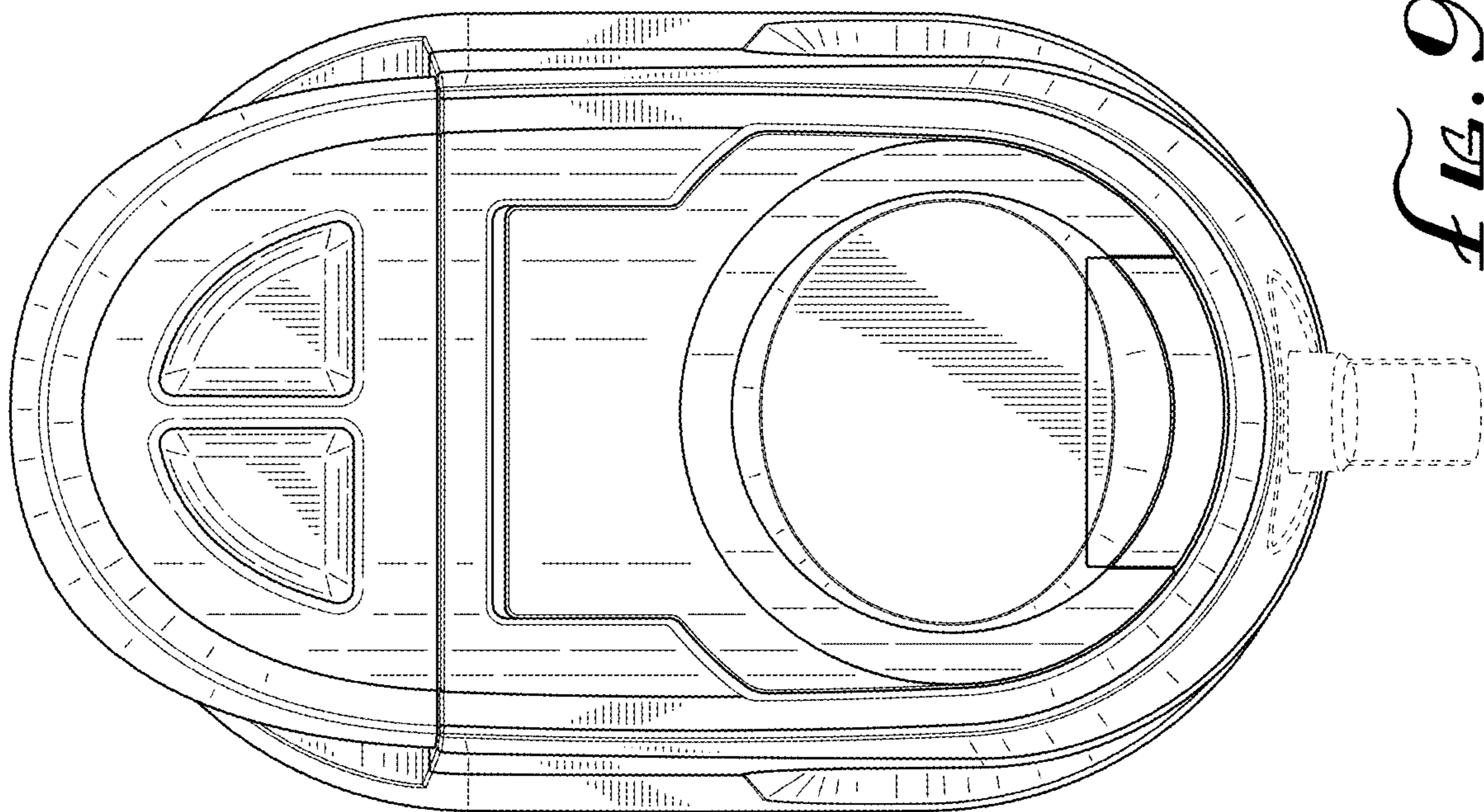


FIG. 9