



US00D950290S

(12) **United States Design Patent**
Luo

(10) **Patent No.:** **US D950,290 S**

(45) **Date of Patent:** **** May 3, 2022**

(54) **OFFICE CHAIR**

(71) Applicant: **FOSHAN ZHONGYANG FURNITURE CO., LTD.**, Foshan (CN)

(72) Inventor: **Zhenbao Luo**, Dazhou (CN)

(73) Assignee: **FOSHAN ZHONGYANG FURNITURE CO., LTD.**, Foshan (CN)

(**) Term: **15 Years**

(21) Appl. No.: **29/798,631**

(22) Filed: **Jul. 9, 2021**

(51) **LOC (13) Cl.** **06-01**

(52) **U.S. Cl.**
USPC **D6/716**

(58) **Field of Classification Search**
USPC D6/333, 334, 344, 348, 349, 350, 355, D6/360, 361, 364, 366, 367, 369, 370, D6/374, 375, 379, 380, 381, 716, 716.4
CPC A47C 1/02; A47C 1/022; A47C 1/024; A47C 1/032; A47C 1/03255; A47C 1/11; A47C 1/143; A47C 3/18; A47C 3/02; A47C 3/025; A47C 3/026; A47C 7/002; A47C 7/004; A47C 7/18; A47C 7/185; A47C 7/36; A47C 7/46; A47C 9/007; A47C 11/00; A47C 11/005
See application file for complete search history.

(56) **References Cited**

U.S. PATENT DOCUMENTS

D468,122 S 1/2003 Schweikarth et al.
6,637,072 B2 * 10/2003 Footitt A47C 7/004
248/188.7

D548,992 S * 8/2007 Koepke D6/366
D707,460 S * 6/2014 Giugiaro D6/366
D714,069 S * 9/2014 Cvek D6/366
D745,300 S * 12/2015 Cvek D6/366
D793,143 S * 8/2017 Tsai D6/716.4
D818,294 S * 5/2018 Tsai D6/716.4
D869,213 S 12/2019 Romero et al.
D880,182 S * 4/2020 Wang D6/366
D929,757 S * 9/2021 Feng D6/366
D937,592 S * 12/2021 Ni D6/366
2015/0265058 A1 * 9/2015 Igarashi A47C 7/46
297/285
2016/0360887 A1 * 12/2016 Davis A47C 1/03261
2018/0116405 A1 * 5/2018 Gerbino A47C 7/54

* cited by examiner

Primary Examiner — R. Johnson

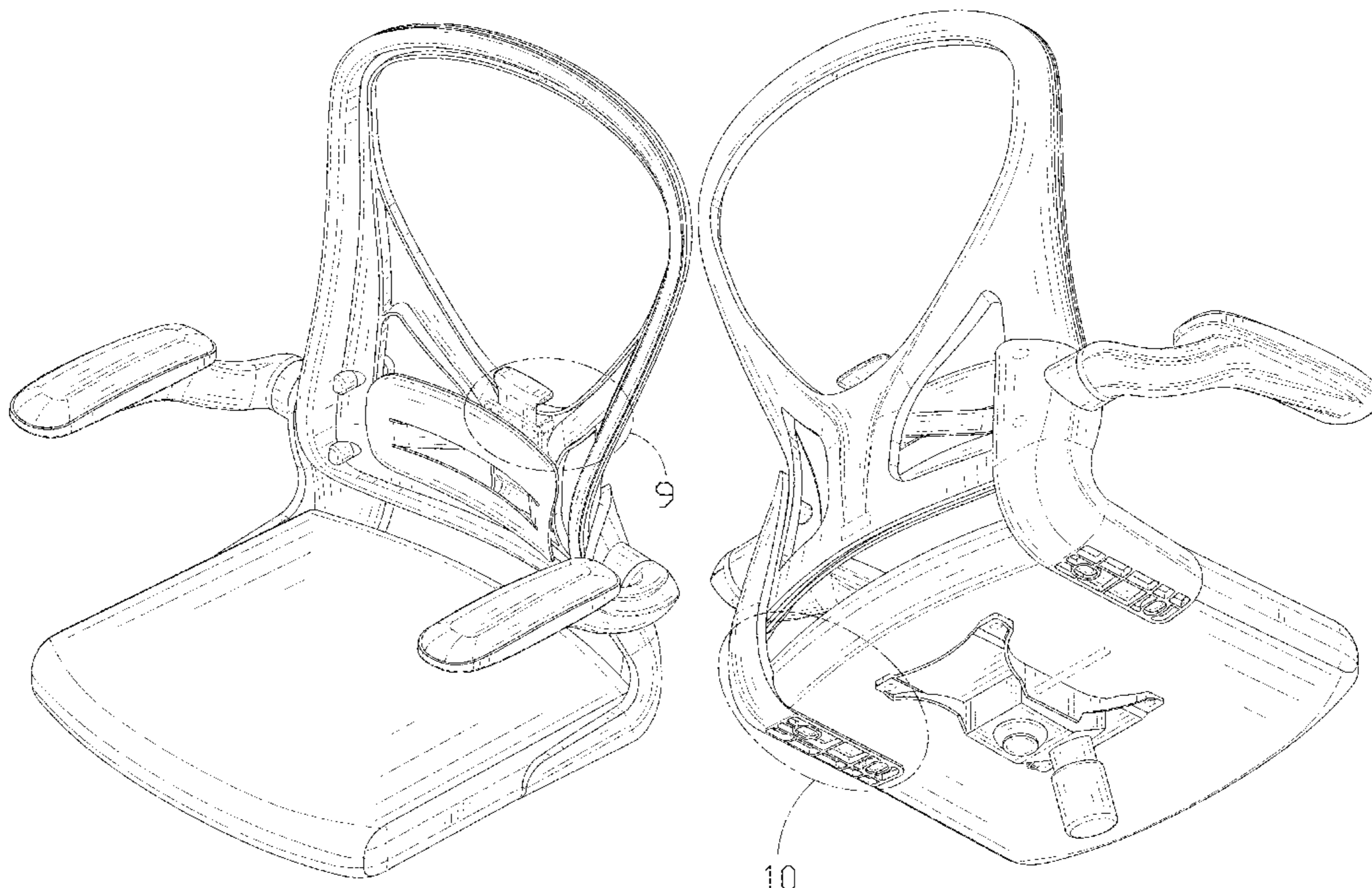
(57) **CLAIM**

The ornamental design for an office chair, as shown and described.

DESCRIPTION

FIG. 1 is a perspective view of an office chair showing my new design;
FIG. 2 is another perspective view thereof;
FIG. 3 is a front elevational view thereof;
FIG. 4 is a rear elevational view thereof;
FIG. 5 is a left side elevational view thereof;
FIG. 6 is a right side elevational view thereof;
FIG. 7 is a top plan view thereof;
FIG. 8 is a bottom plan view thereof;
FIG. 9 is an enlarged, detailed view of the portion taken at line-9 shown in FIG. 1; and,
FIG. 10 is an enlarged, detailed view of the portion taken at line-10 shown in FIG. 2.
The broken lines in the drawings depict portions of the office chair that form no part of the claimed design.

1 Claim, 10 Drawing Sheets



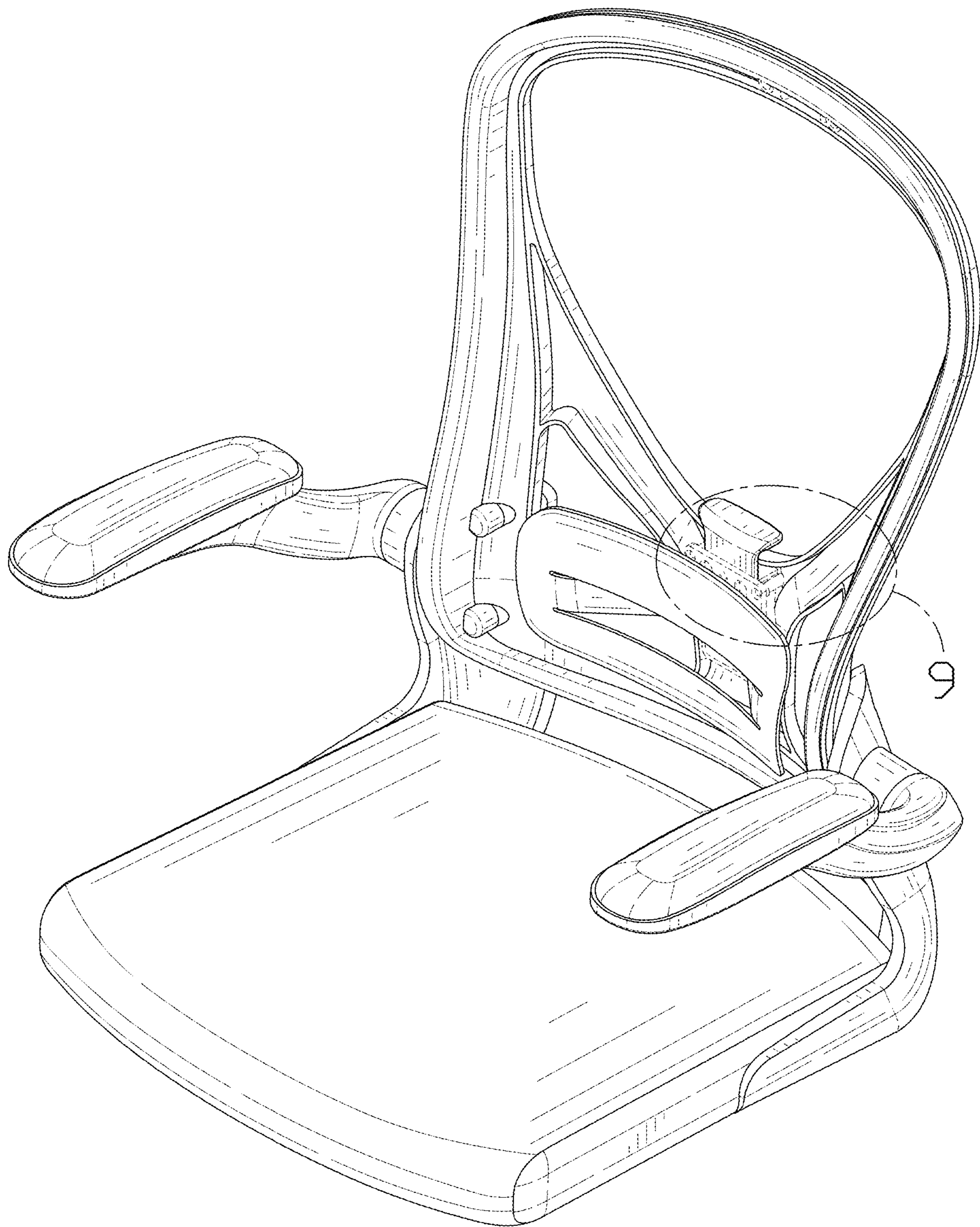


FIG. 1

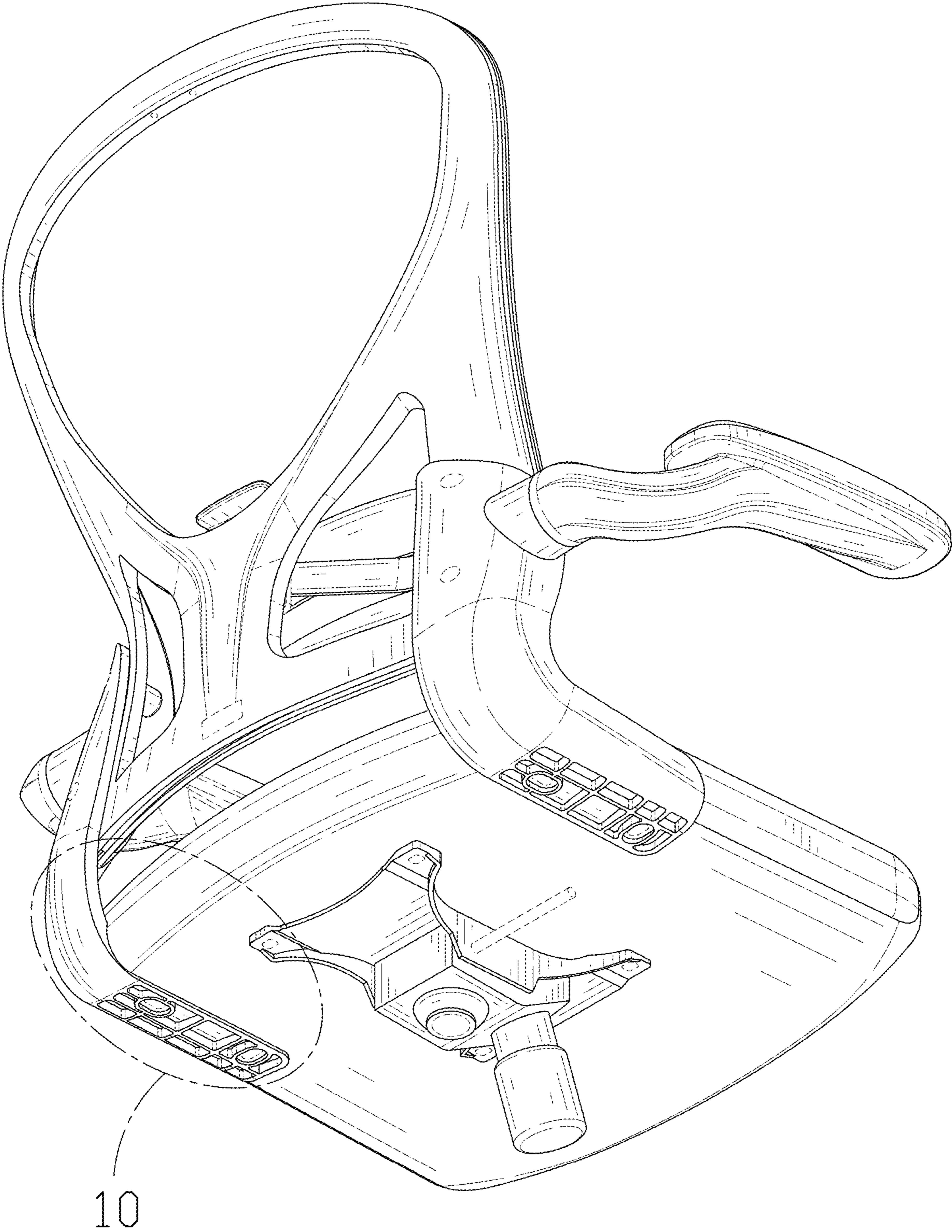


FIG. 2

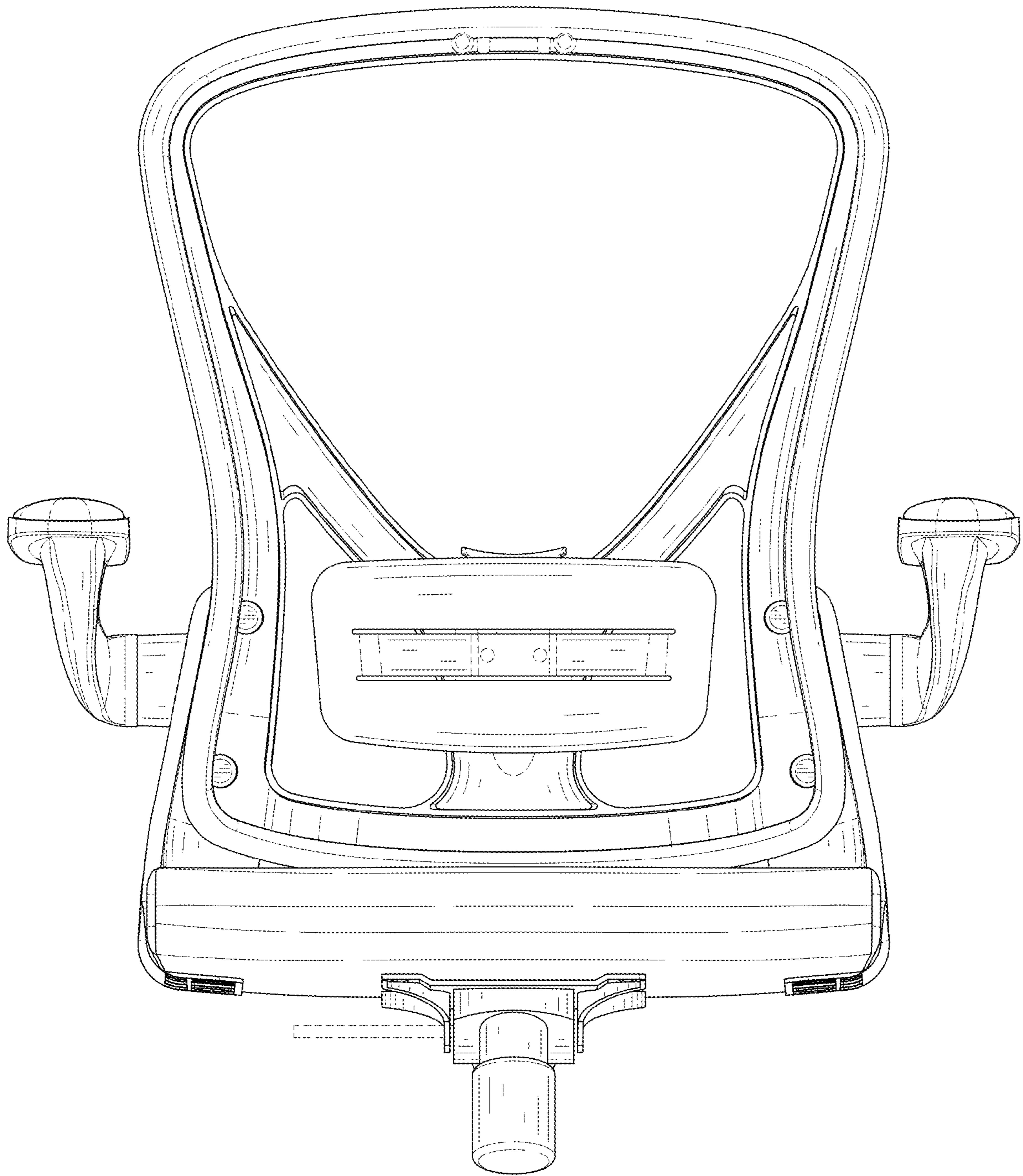


FIG. 3

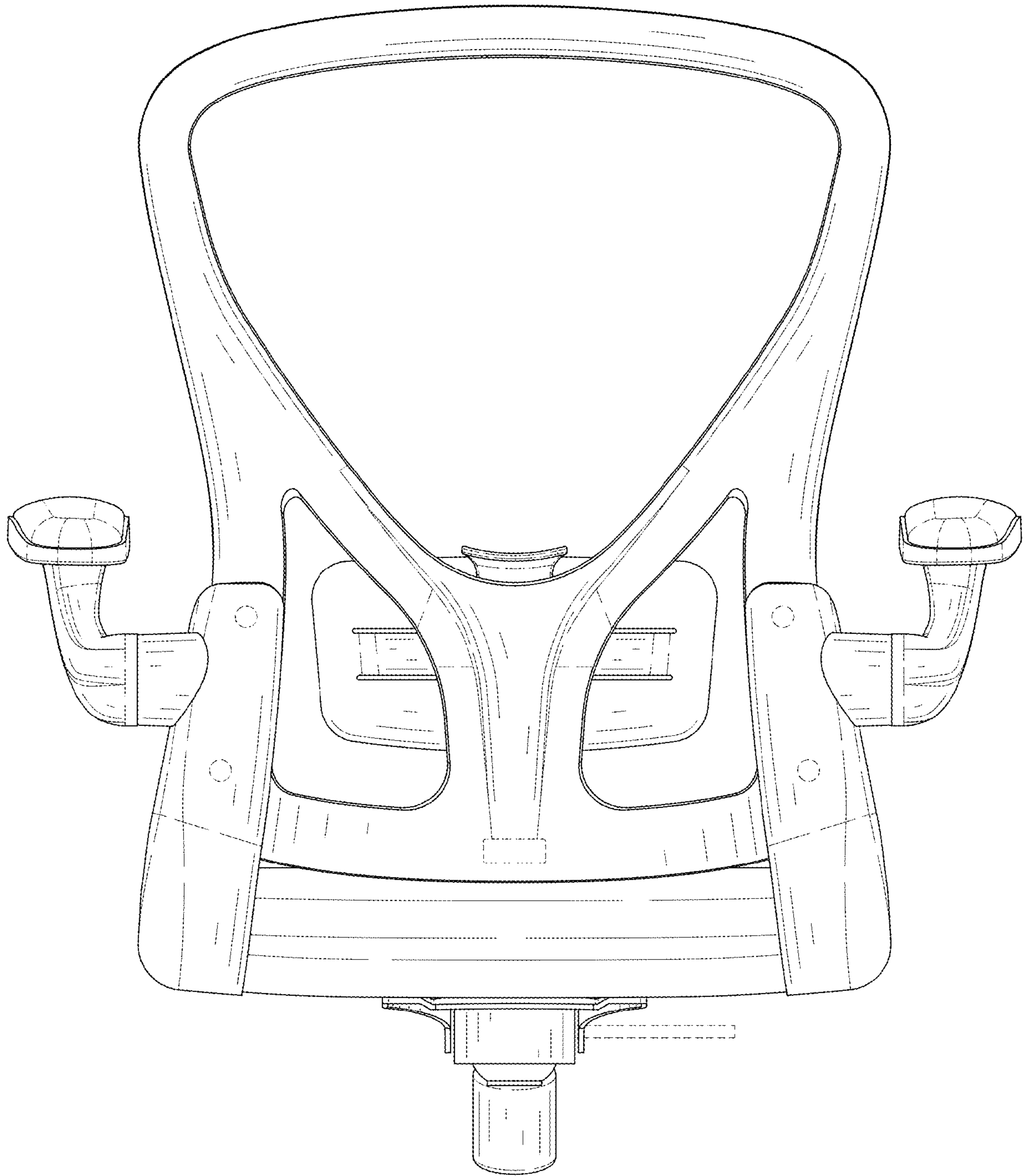


FIG. 4

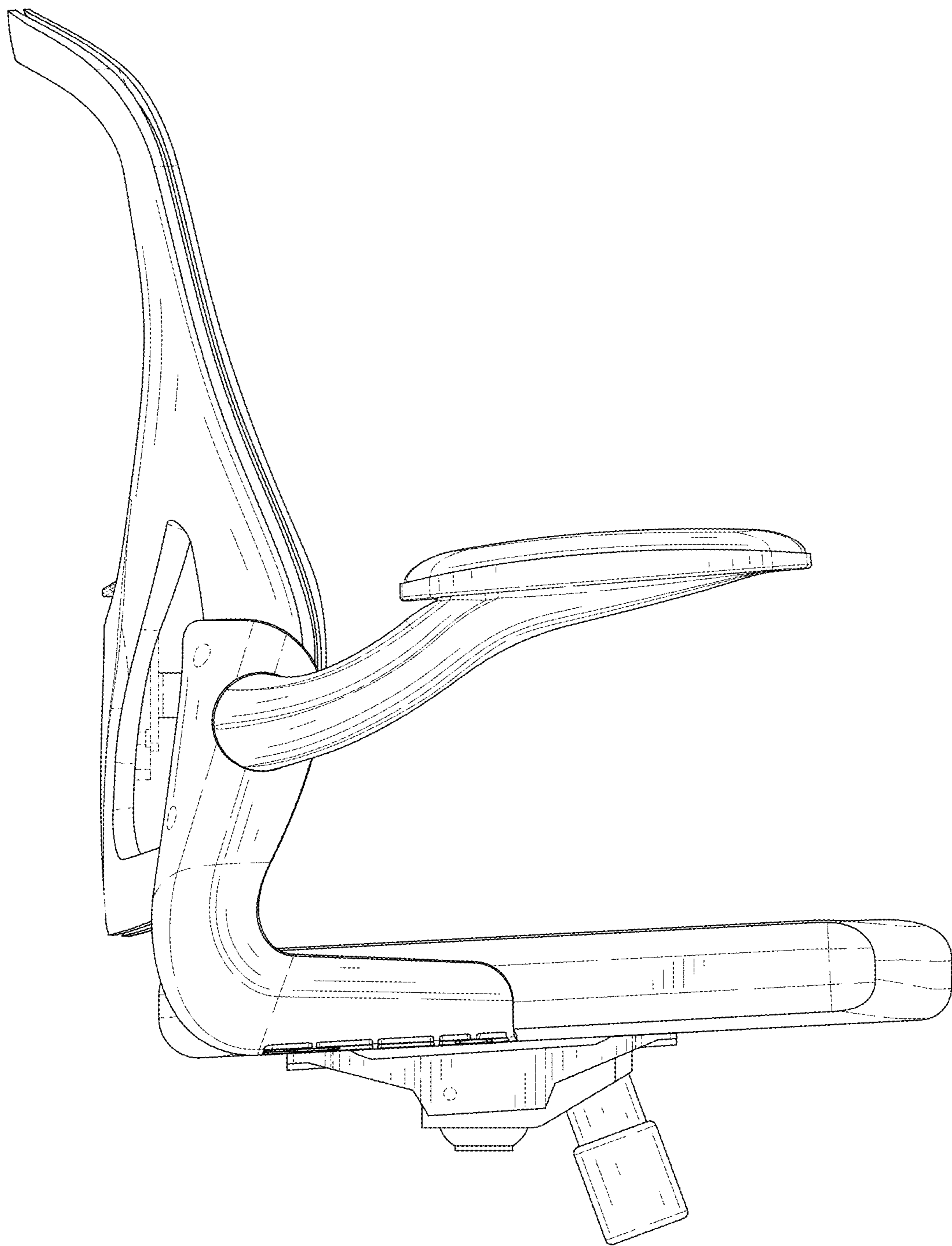


FIG. 5

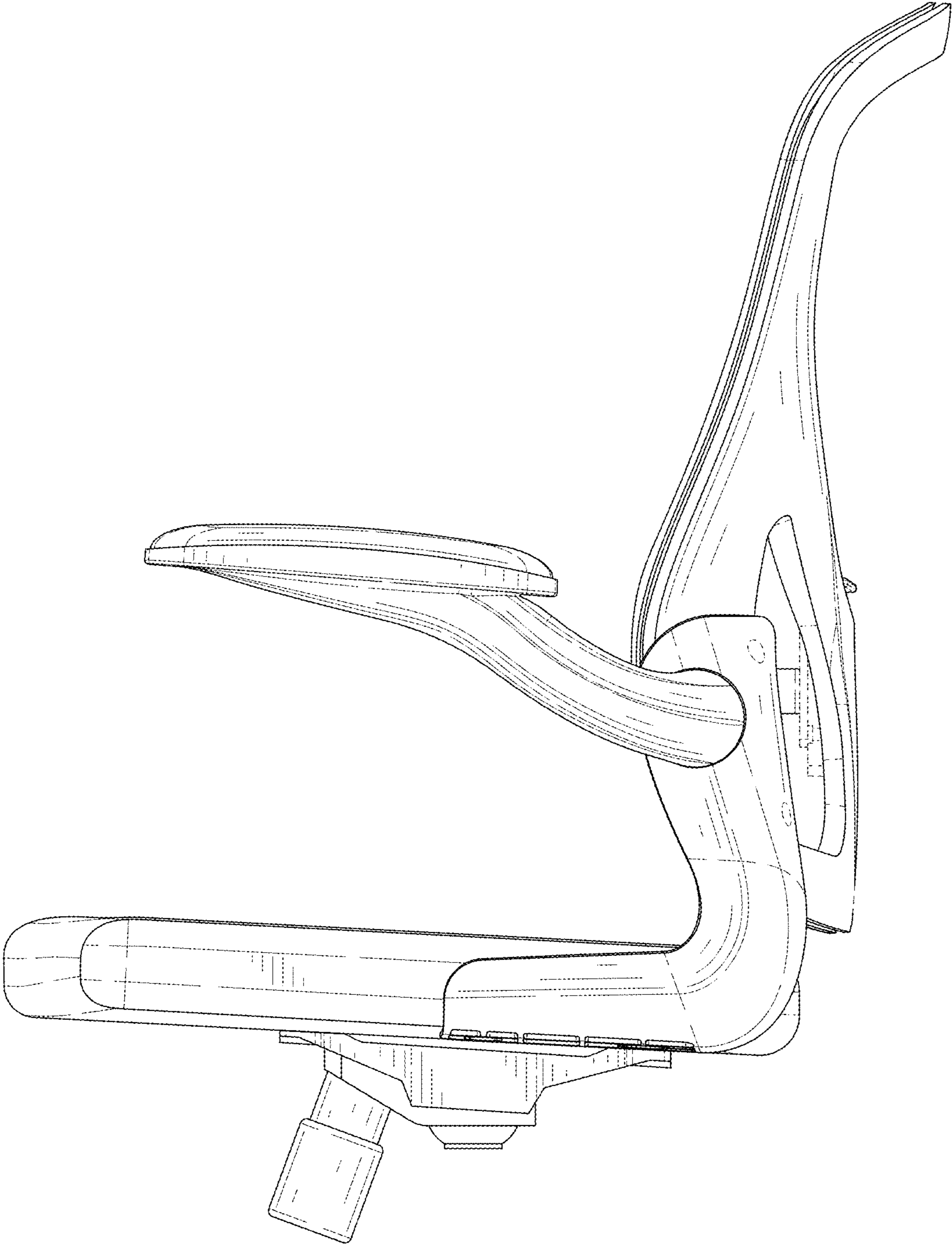


FIG. 6

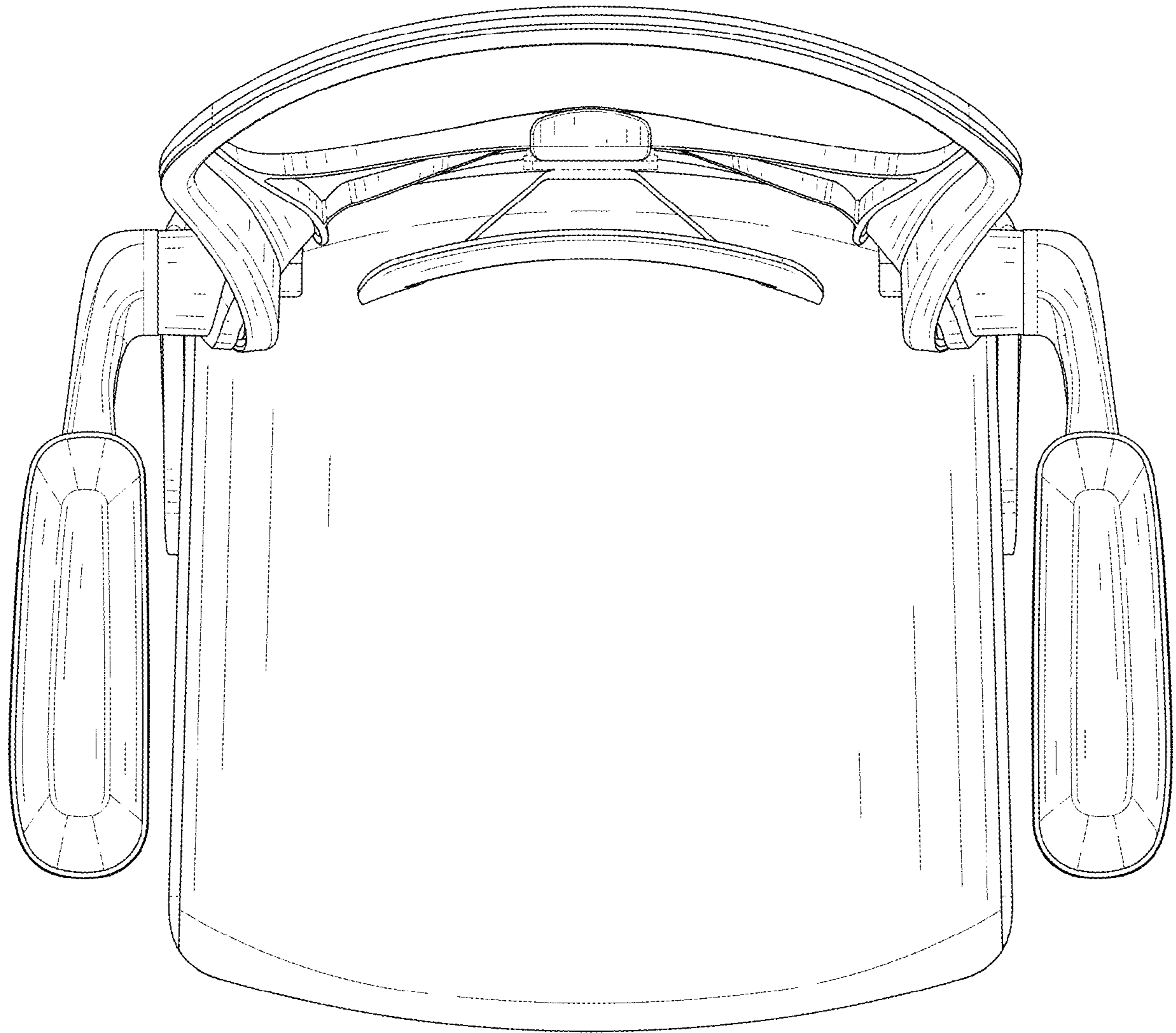


FIG. 7

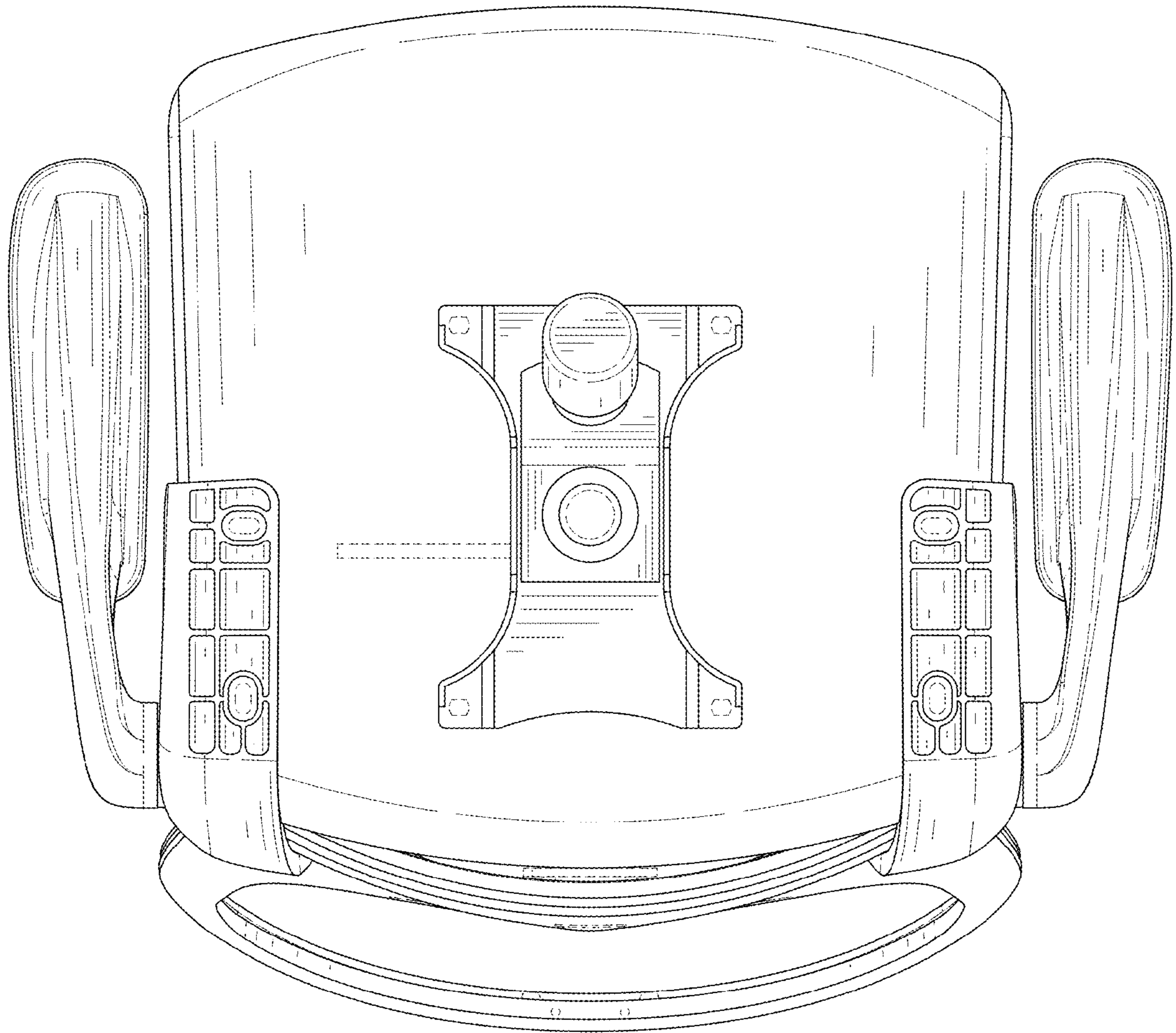


FIG. 8

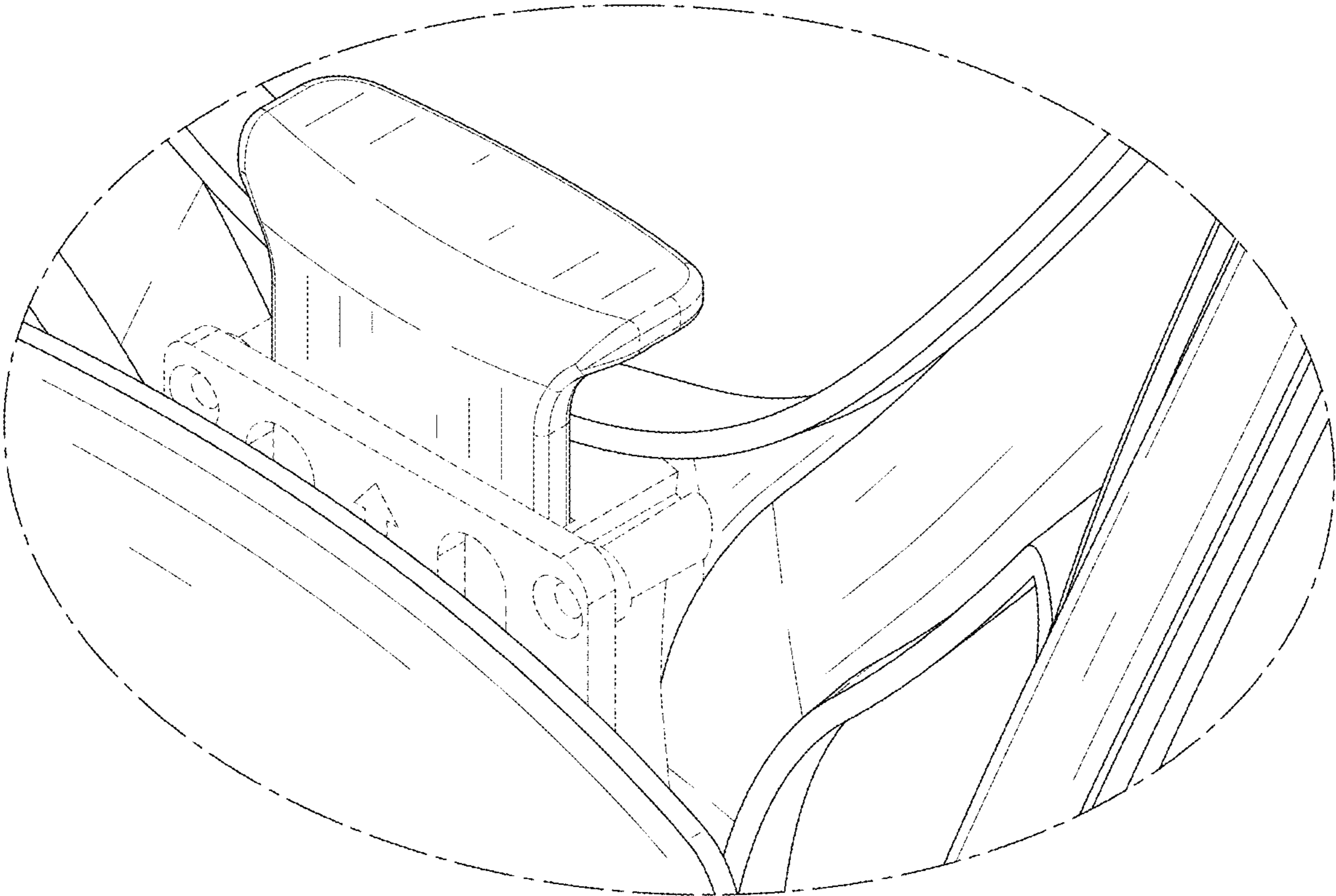


FIG. 9

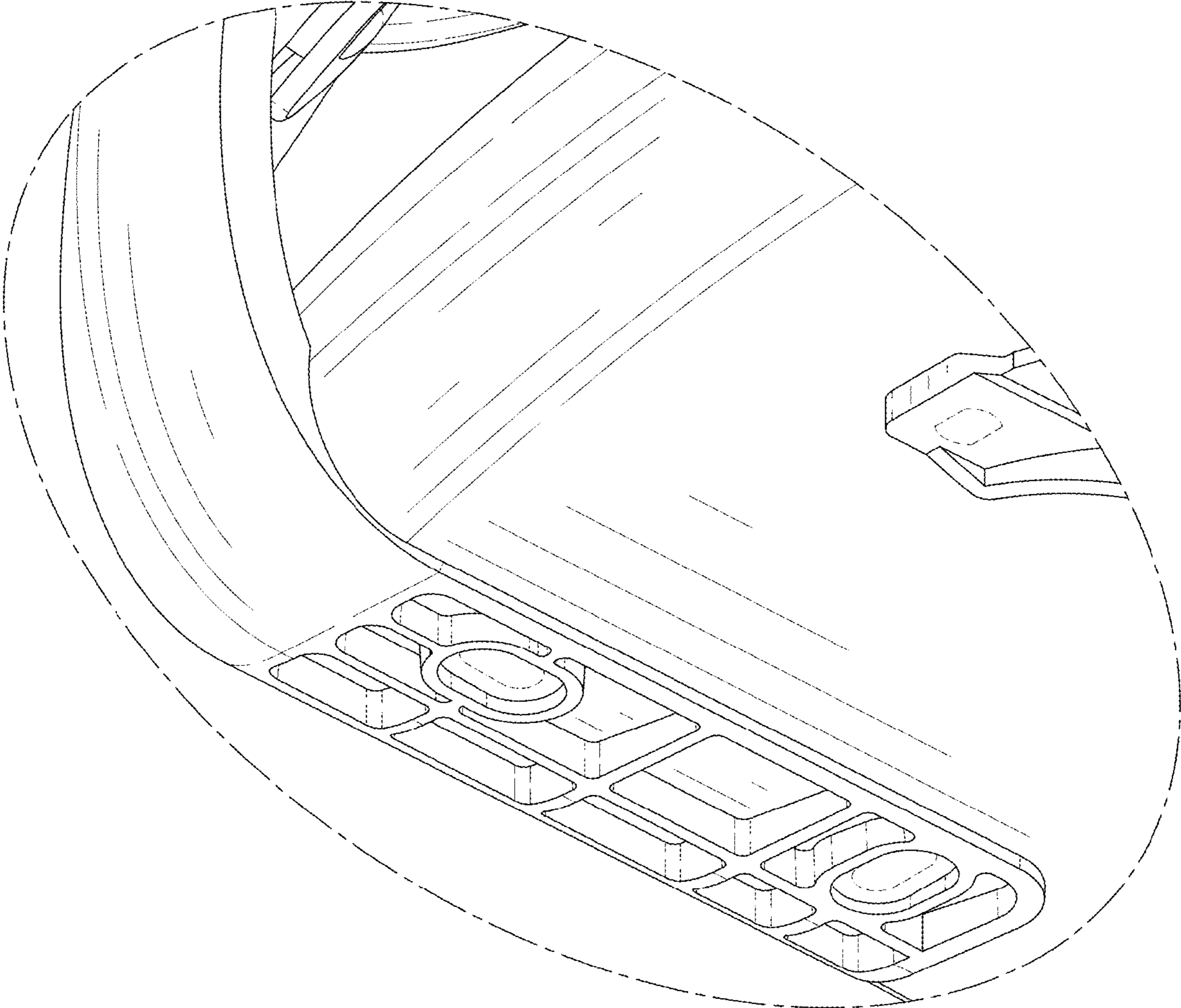


FIG. 10