



US00D950289S

(12) **United States Design Patent**  
**Wang et al.**

(10) **Patent No.:** **US D950,289 S**  
(45) **Date of Patent:** **\*\* May 3, 2022**

- (54) **SEAT**
- (71) Applicant: **Henglin Home Furnishings Co., Ltd.**,  
Zhejiang Province (CN)
- (72) Inventors: **Jianglin Wang**, Zhejiang (CN); **Decai Li**, Zhejiang (CN)
- (73) Assignee: **Henglin Home Furnishings Co., Ltd.**,  
Zhejiang (CN)

D846,432 S \* 4/2019 Olofsson ..... D11/152  
 D899,798 S \* 10/2020 Stopa ..... D6/364  
 D904,774 S \* 12/2020 Hsu ..... D6/349

FOREIGN PATENT DOCUMENTS

CN 201730030978 \* 5/2018  
 EM 002484170-0001 \* 7/2014

OTHER PUBLICATIONS

The Kulbu stool, available in [instagram.com](https://www.instagram.com/p/Bzs-SCnF3_A/), published Jul. 9, 2019 Year 2019 [online] Retrieved on Nov. 22, 2021 from URL: [https://www.instagram.com/p/Bzs-SCnF3\\_A/](https://www.instagram.com/p/Bzs-SCnF3_A/) (Year: 2019).\*

\* cited by examiner

*Primary Examiner* — Vy N Koenig  
*Assistant Examiner* — Michelle M Reeves  
 (74) *Attorney, Agent, or Firm* — JCIP Global Inc.

- (\*\*) Term: **15 Years**
- (21) Appl. No.: **29/740,686**
- (22) Filed: **Jul. 7, 2020**
- (51) **LOC (13) Cl.** ..... **06-06**
- (52) **U.S. Cl.**  
USPC ..... **D6/716**; D6/349
- (58) **Field of Classification Search**  
USPC ..... D6/349, 350, 352, 353, 364, 332, 335,  
D6/336, 362, 716-716.6, 344, 601-604;  
D21/698  
CPC ..... A61G 5/12; A47C 7/5066; B60N 3/063;  
B60N 3/06; B62J 25/00; B62J 25/06;  
B63H 16/02  
See application file for complete search history.

(57) **CLAIM**

The ornamental design for a seat, as shown and described.

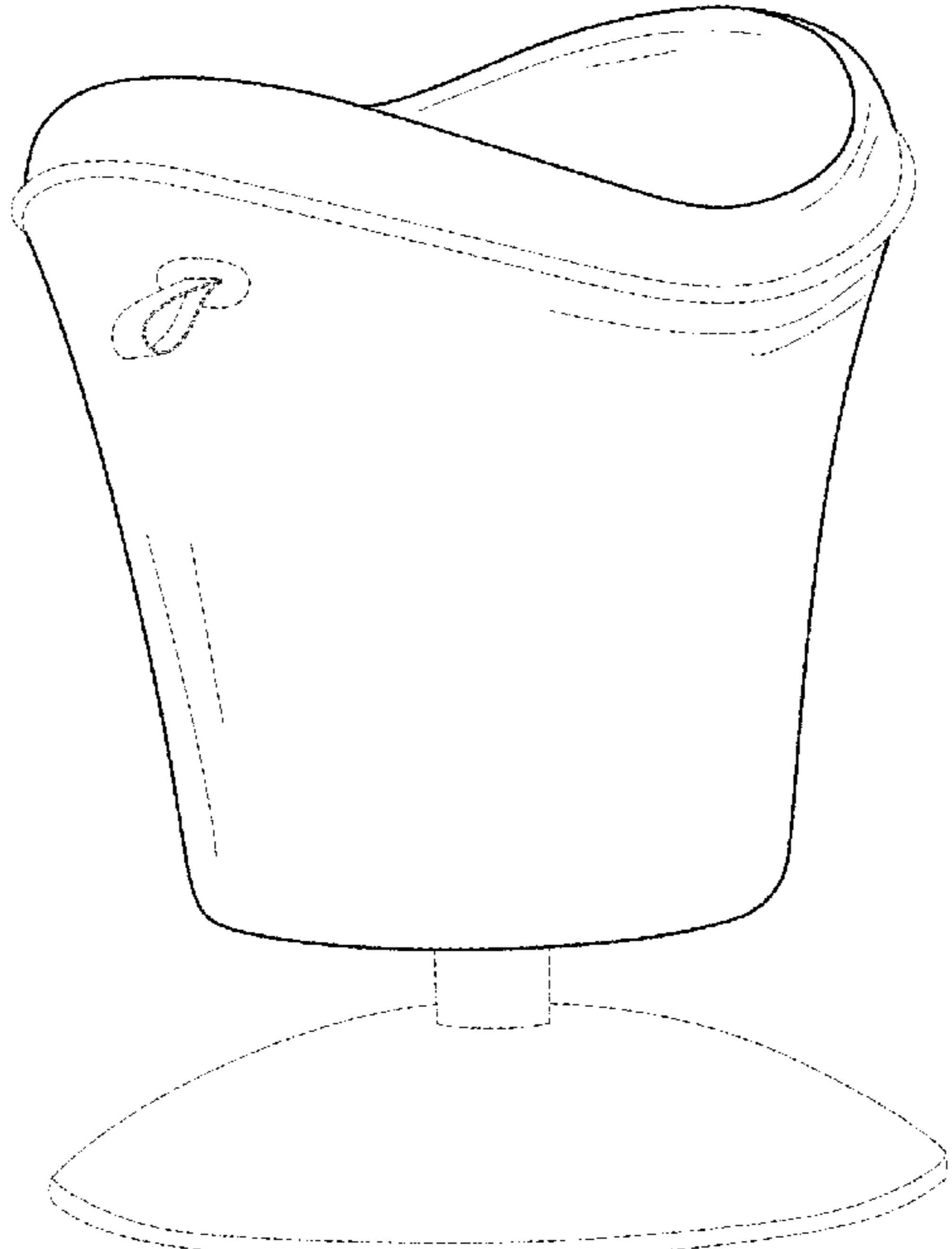
**DESCRIPTION**

FIG. 1 is a perspective view of a seat showing our new design;  
 FIG. 2 is a front view thereof;  
 FIG. 3 is a rear view thereof;  
 FIG. 4 is a left side view thereof;  
 FIG. 5 is a right side view thereof; and,  
 FIG. 6 is a top view thereof.  
 The heavy broken line showing of stitch lines in FIG. 5 forms portions of the claimed design, while the light broken line showing of portions of the seat in FIGS. 1-6 forms no part of the claimed design.

(56) **References Cited**  
 U.S. PATENT DOCUMENTS

D406,470 S \* 3/1999 Lin ..... D6/349  
 D681,967 S \* 5/2013 Schoolmeester ..... D6/349  
 D728,951 S \* 5/2015 Yoshida ..... D6/349  
 D764,197 S \* 8/2016 Yoshida ..... D6/352  
 D801,712 S \* 11/2017 Neil ..... D6/349  
 D809,309 S \* 2/2018 Theesfeld ..... D6/349  
 D809,809 S \* 2/2018 Theesfeld ..... D6/352  
 D809,840 S \* 2/2018 Theesfeld ..... D6/708.2

**1 Claim, 6 Drawing Sheets**



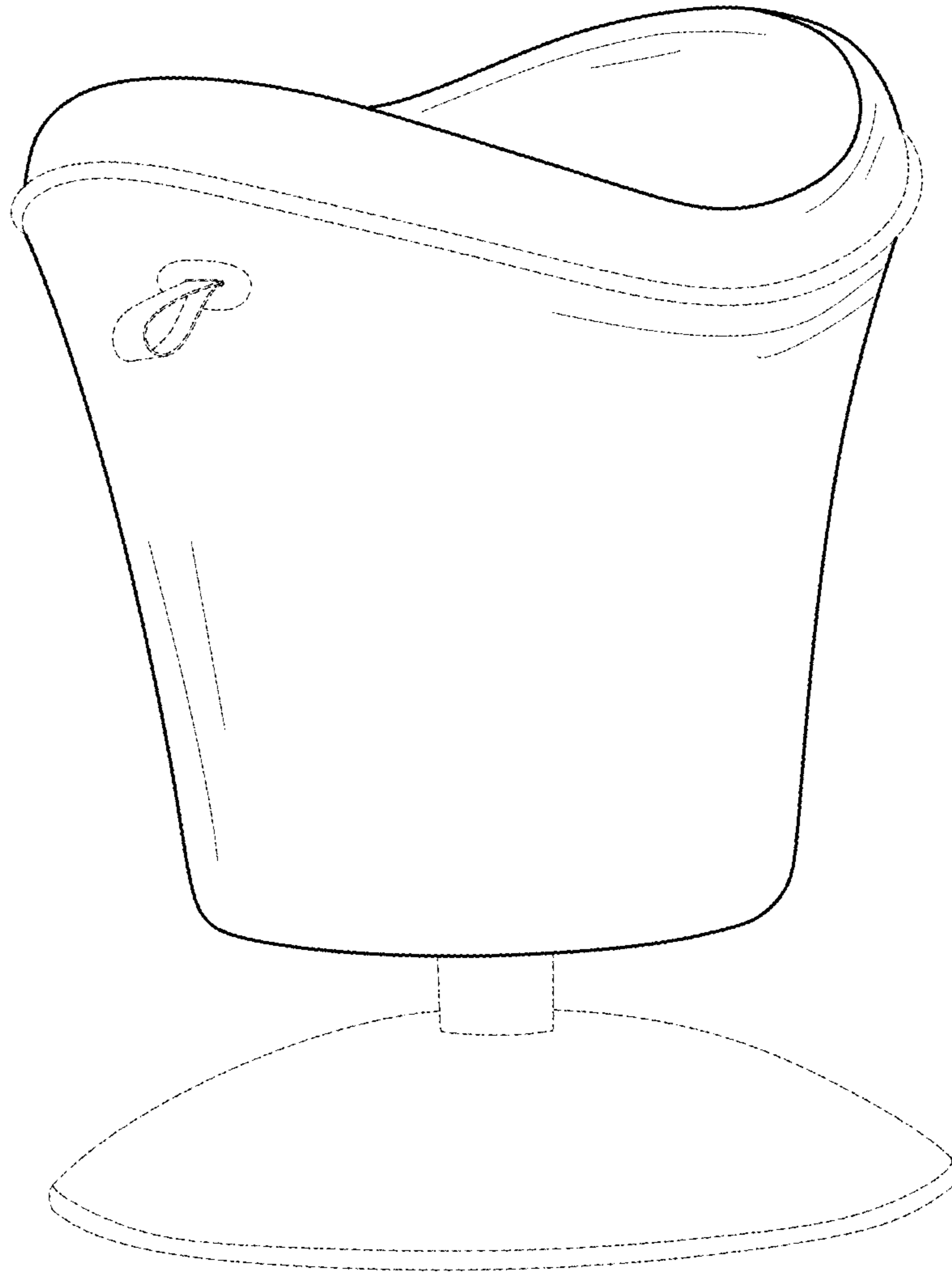


FIG. 1

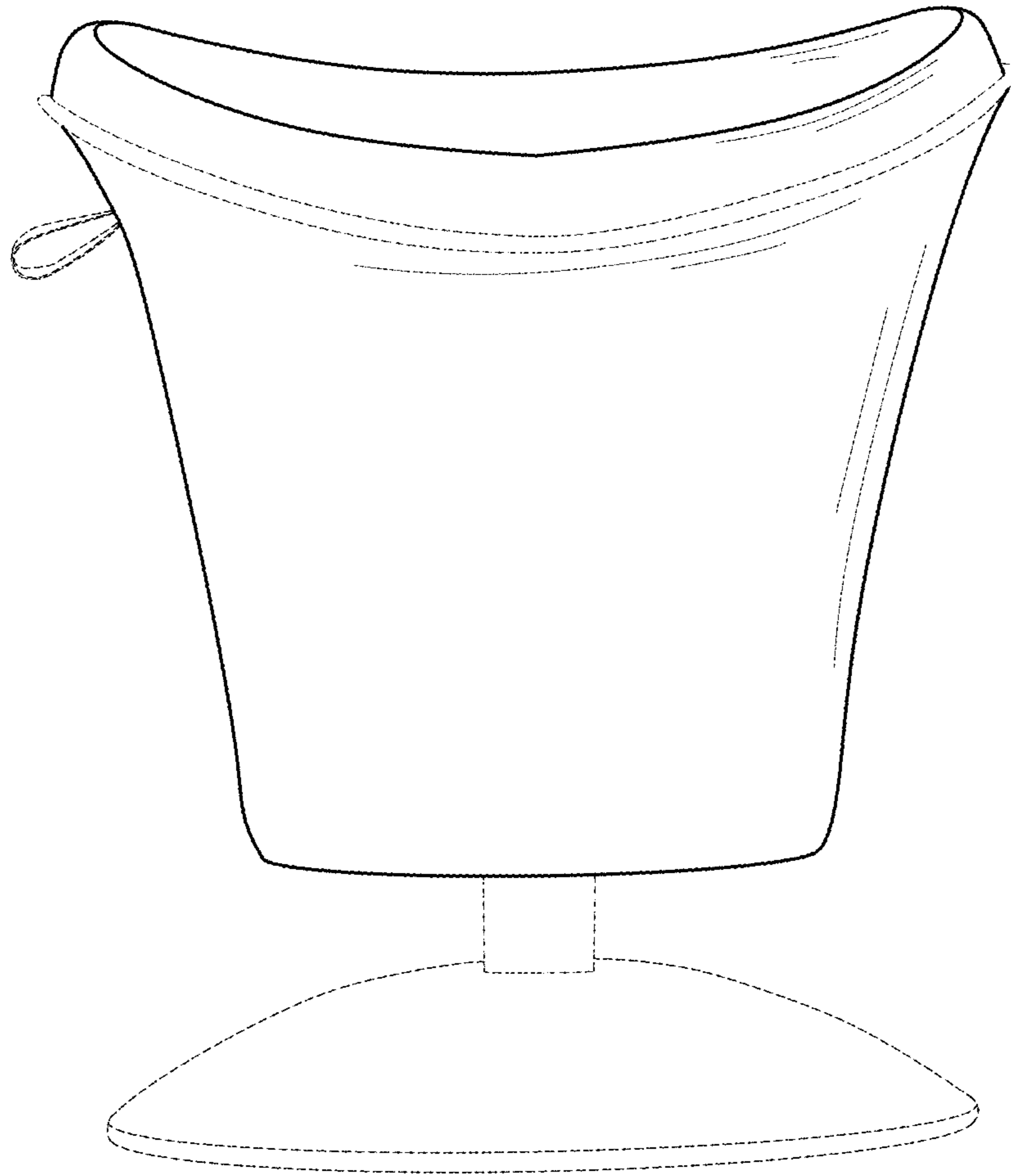


FIG. 2

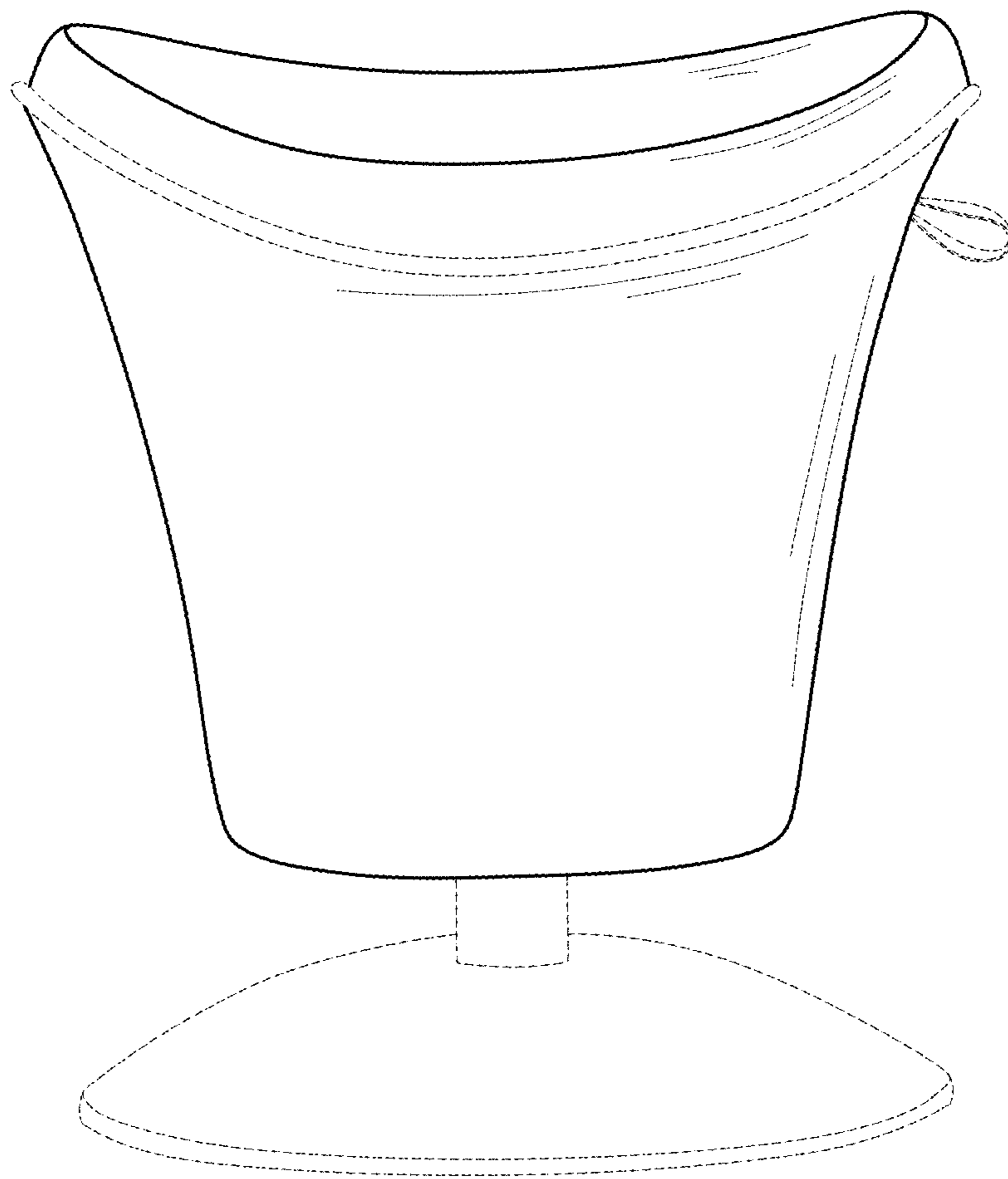


FIG. 3

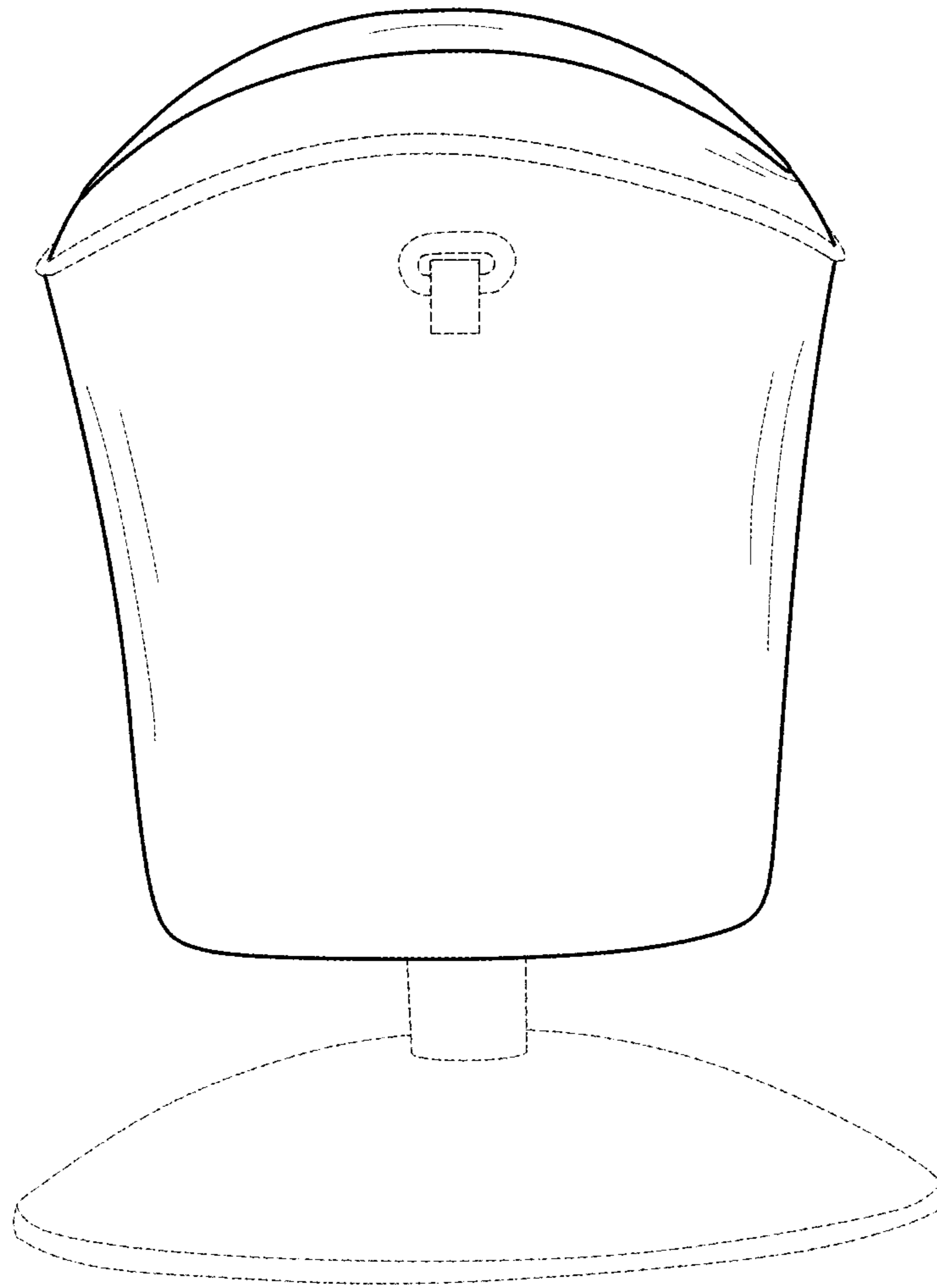


FIG. 4

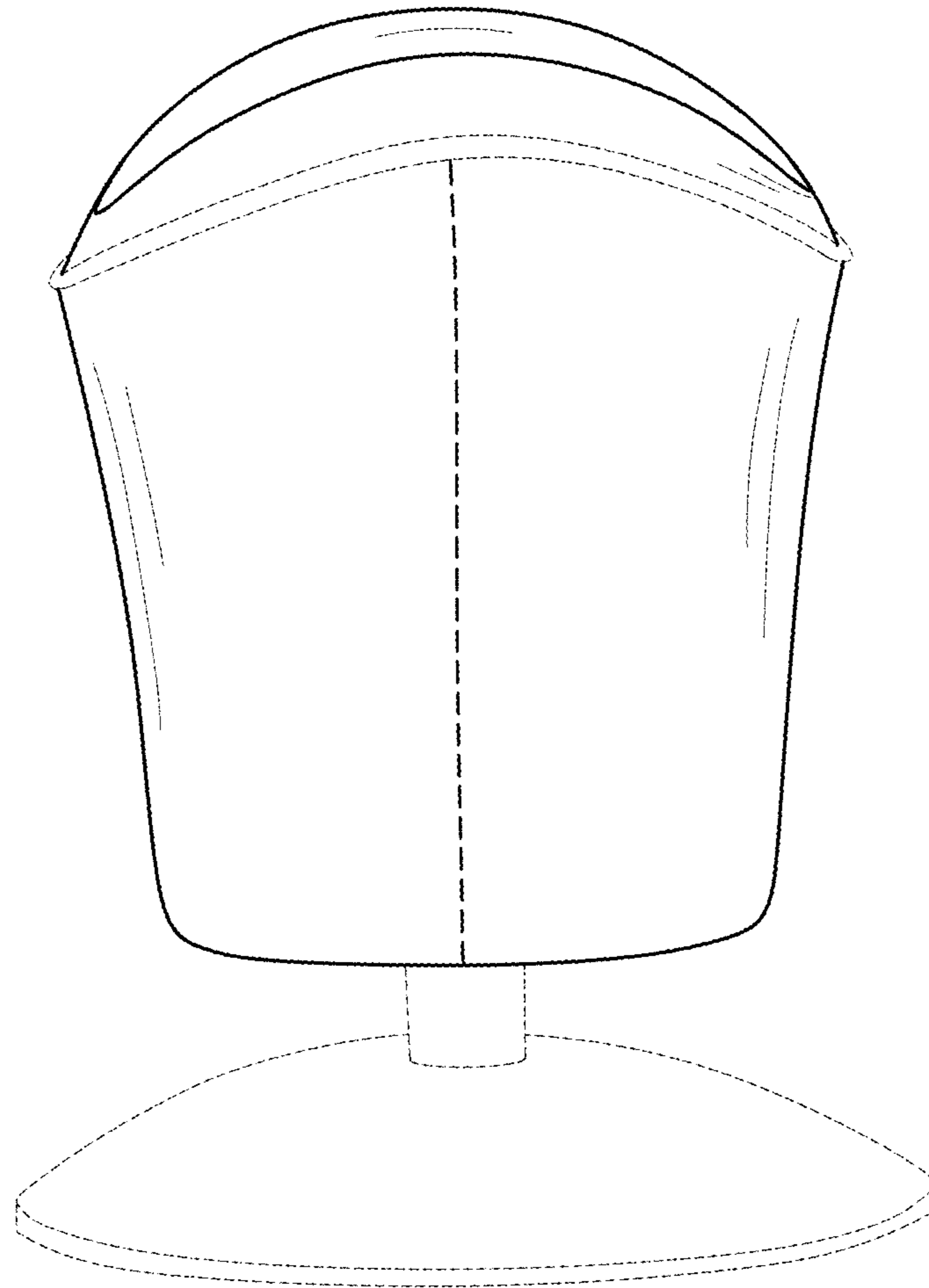


FIG. 5

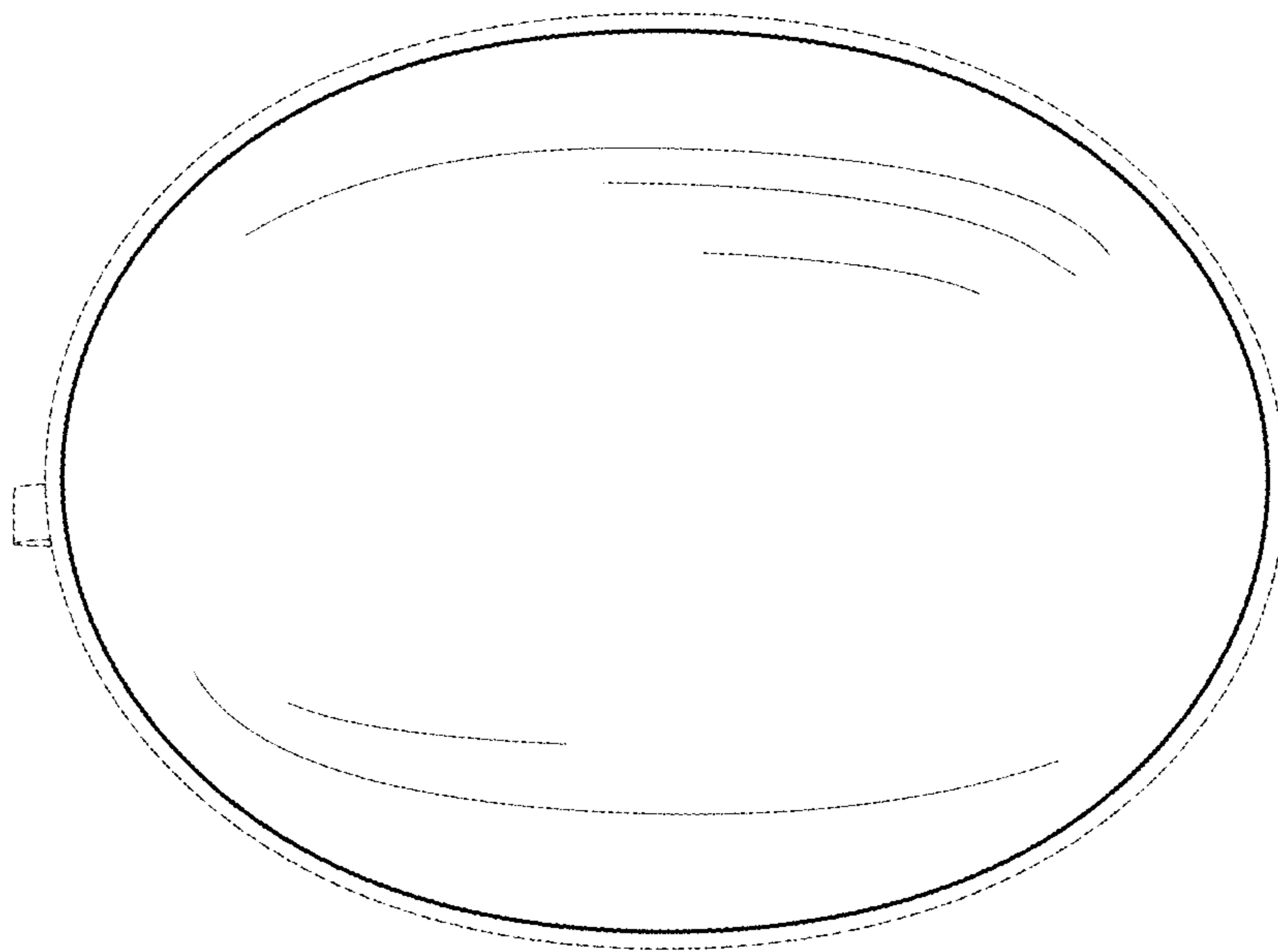


FIG. 6