



US00D950288S

(12) **United States Design Patent** (10) **Patent No.:** **US D950,288 S**
Haase et al. (45) **Date of Patent:** **** May 3, 2022**

(54) **DESK TOP**
(71) Applicant: **MOORECO, INC.**, Temple, TX (US)
(72) Inventors: **Ryan Haase**, Temple, TX (US);
Rolland Low, Temple, TX (US)
(73) Assignee: **MOORECO, INC.**, Temple, TX (US)
(**) Term: **15 Years**

D609,506 S 2/2010 Adams et al.
D703,984 S 5/2014 Nasserri et al.
8,776,699 B2 * 7/2014 Nasserri A47B 13/10
108/64
D725,950 S * 4/2015 Retzlaff D6/707.22
D776,473 S 1/2017 Fletcher
D780,487 S * 3/2017 Brown D6/656.13
D810,485 S 2/2018 Teller
D841,380 S * 2/2019 Zaccai D6/707.22
(Continued)

(21) Appl. No.: **29/741,462**
(22) Filed: **Jul. 13, 2020**
(51) **LOC (13) Cl.** **06-06**
(52) **U.S. Cl.**
USPC **D6/707.22**
(58) **Field of Classification Search**
USPC D6/406.1, 406.2, 406.3, 641, 642, 650,
D6/656, 656.1, 656.12-656.19, 685, 686,
D6/696, 696.1-696.7, 702, 703, 704, 705,
D6/705.2, 705.5, 707, 707.15, 707.18,
D6/707.19, 707.22-707.24, 707.26
CPC A47B 5/00; A47B 5/02; A47B 7/00; A47B
9/00; A47B 9/04; A47B 11/00; A47B
13/00; A47B 13/08; A47B 13/081; A47B
13/083; A47B 13/10; A47B 13/12; A47B
17/00; A47B 21/00; A47B 21/02; A47B
2200/0001

See application file for complete search history.

(56) **References Cited**

U.S. PATENT DOCUMENTS

D332,537 S * 1/1993 Hosoe D6/696.3
D333,053 S * 2/1993 Hosoe D6/696.3
D352,194 S 11/1994 Hosoe
5,676,068 A 10/1997 Kallander
D411,776 S 7/1999 Epp
D413,209 S * 8/1999 Jarke D7/550.1
D414,634 S * 10/1999 Smith D6/707.22
D452,627 S 1/2002 Petri
D475,095 S 5/2003 Manville

FOREIGN PATENT DOCUMENTS

FR 2300521 A1 9/1976

OTHER PUBLICATIONS

“MooreCo Hierarchy Shapes Desk”; printed on Jun. 17, 2020 from
<https://moorecoinc.com/product/shapes-configurable-student-desk/>.
(Continued)

Primary Examiner — Mary Ann Calabrese
(74) *Attorney, Agent, or Firm* — Nath, Goldberg &
Meyer; Jerald L. Meyer; Morgan D. Rosenberg

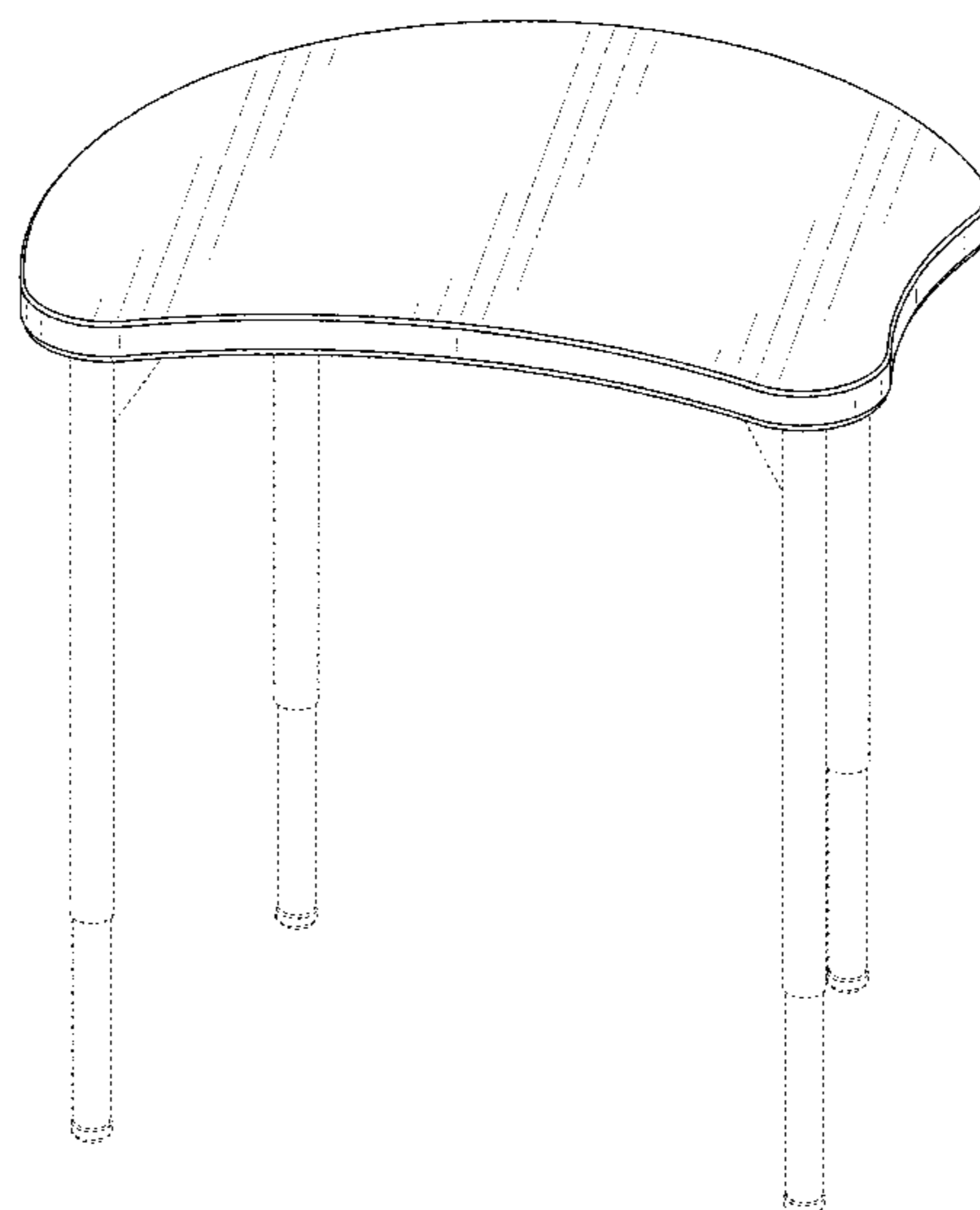
(57) **CLAIM**

The ornamental design for a desk top, as shown and described.

DESCRIPTION

FIG. 1 is a perspective view of a desk top showing our new design;
FIG. 2 is a top view thereof;
FIG. 3 is a right side view thereof;
FIG. 4 is a left side view thereof;
FIG. 5 is a front view thereof;
FIG. 6 is a rear view thereof; and,
FIG. 7 is a bottom view thereof.
The broken line showing of the legs and leg attachments in FIGS. 1 and 3-7 illustrates environment that forms no part of the claimed design.

1 Claim, 7 Drawing Sheets



(56)

References Cited

U.S. PATENT DOCUMENTS

D859,895 S * 9/2019 Haase D6/707.22
D871,813 S 1/2020 Mayer et al.
D909,803 S * 2/2021 Hobbs D6/707.22

OTHER PUBLICATIONS

“Crescent Activity Table with Dry Erase Top by KFI”; printed on Jun. 17, 2020 from <https://www.worthingtondirect.com/school-chairs-and-seating/pedestal-activity-table-with-dry-erase-top-by-kfi.htm>.

“Interchange Cookie Table by Smith System, 04152—Stock #81A35”; printed on Jun. 17, 2020 from <https://www.worthingtondirect.com/desks/04152-interchange-cookie-table.htm>.

“Scholar Craft FS949AMB Method Series Adjustable Height Ambit Collaborative Table”; printed on Jun. 17, 2020 from <https://www.kay-twelve.com/products/scholar-craft-fs949amb-method-series-adjustable-height-ambit-collaborative-table-quick-ship>.

“Virco Molecule Series Student Desk 24"×32" Top”; printed on Jun. 18, 2020 from <https://virco.com/molecule-series-student-desk-24-x-32-top>.

* cited by examiner

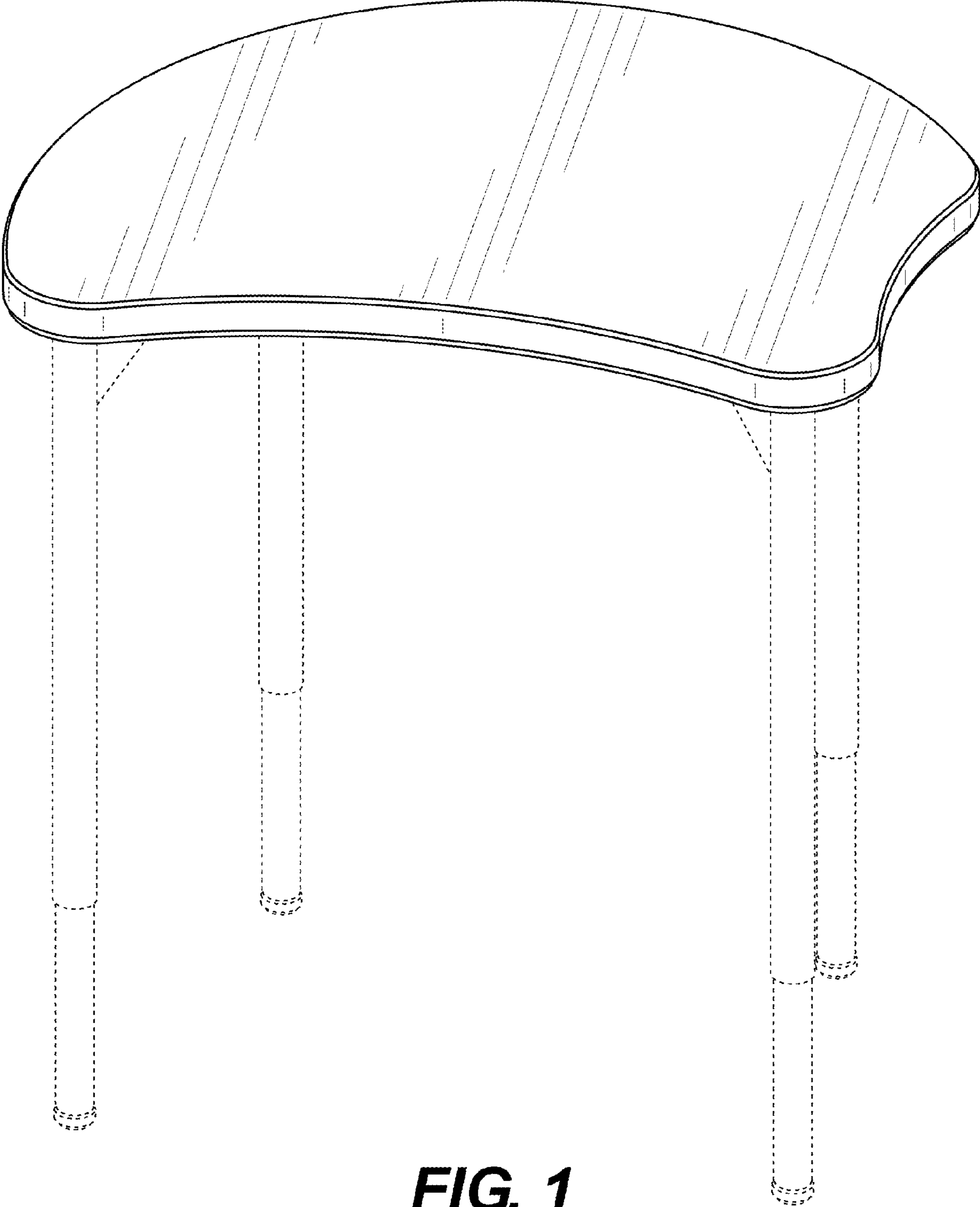


FIG. 1

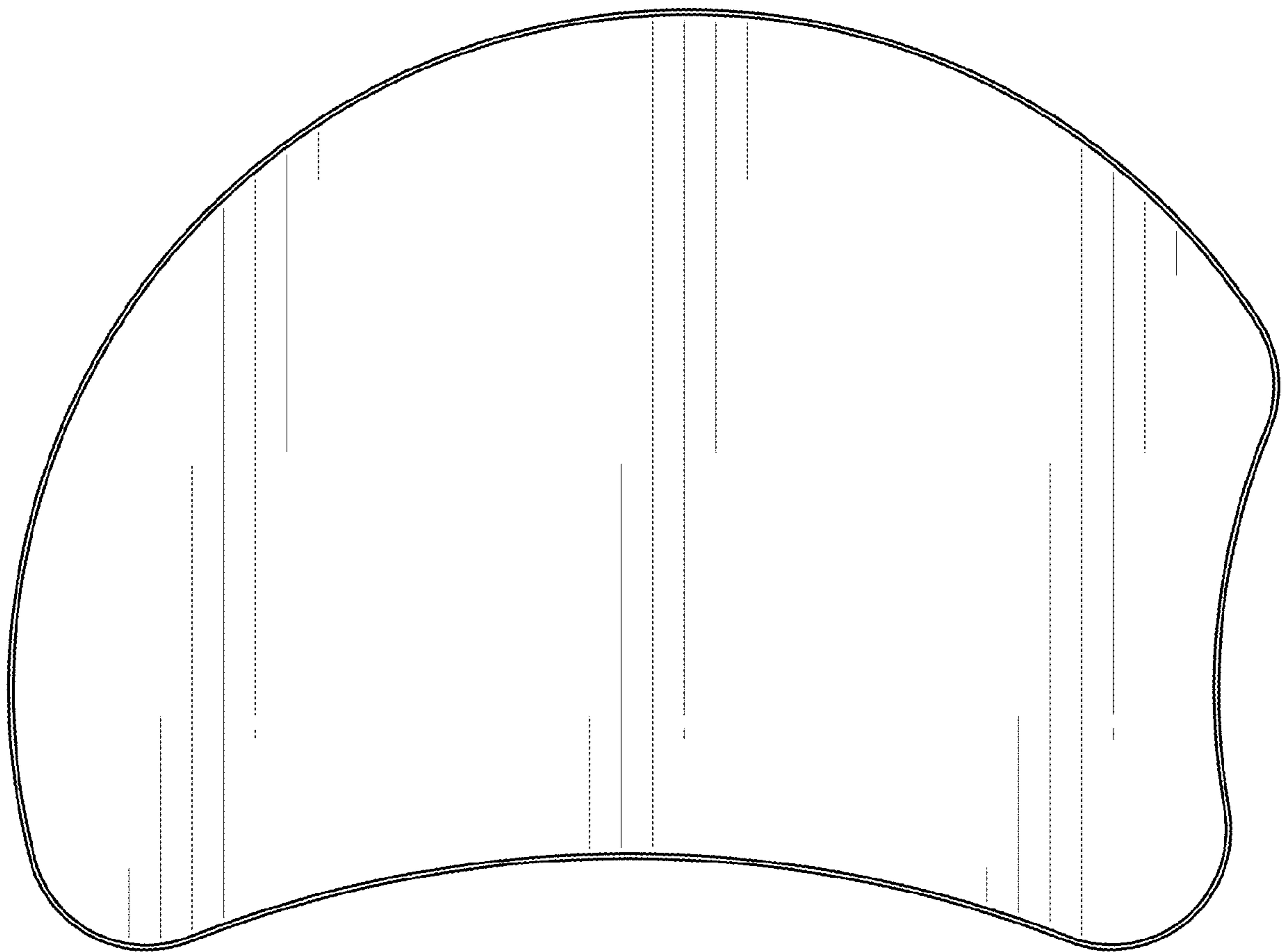


FIG. 2

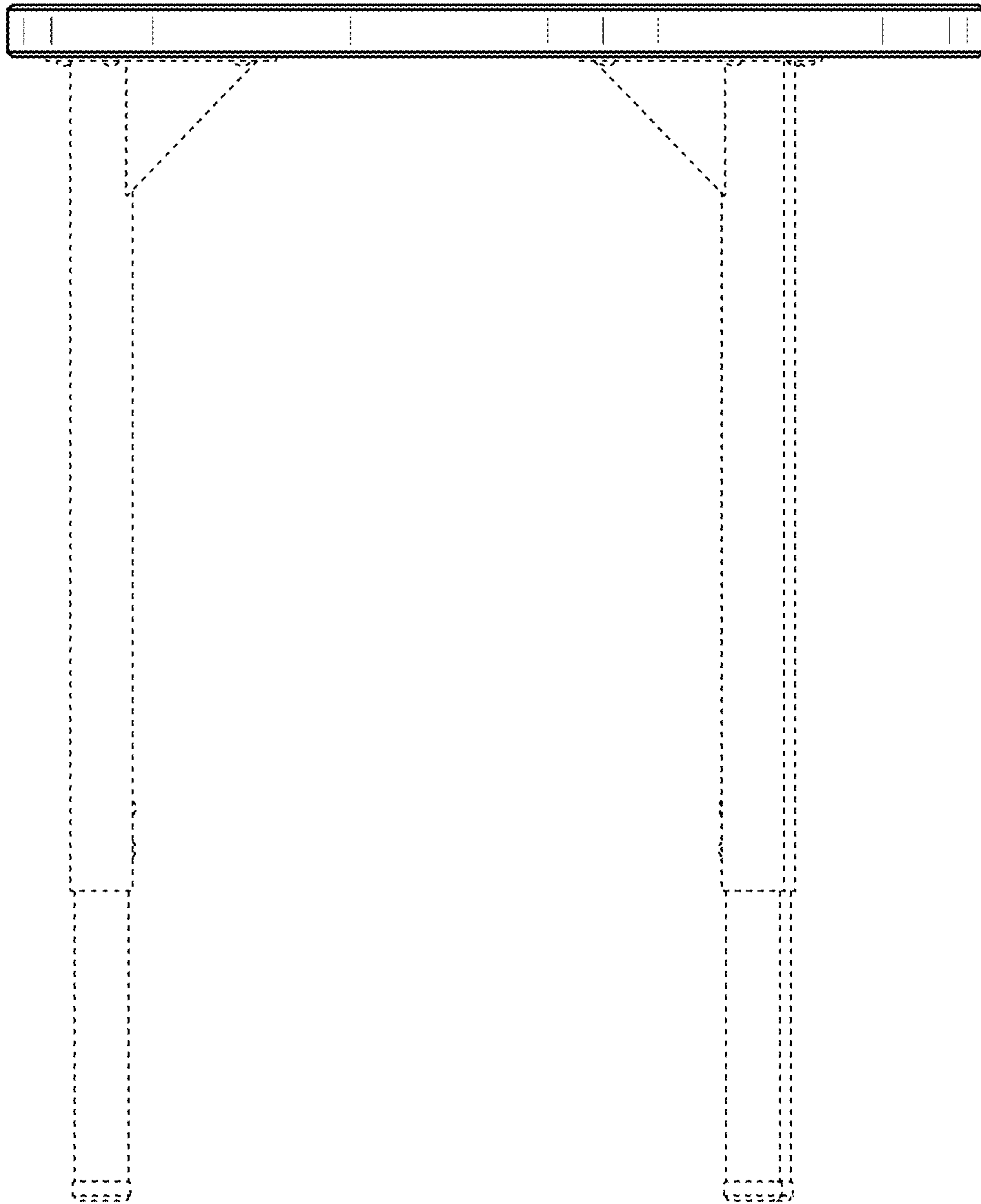


FIG. 3

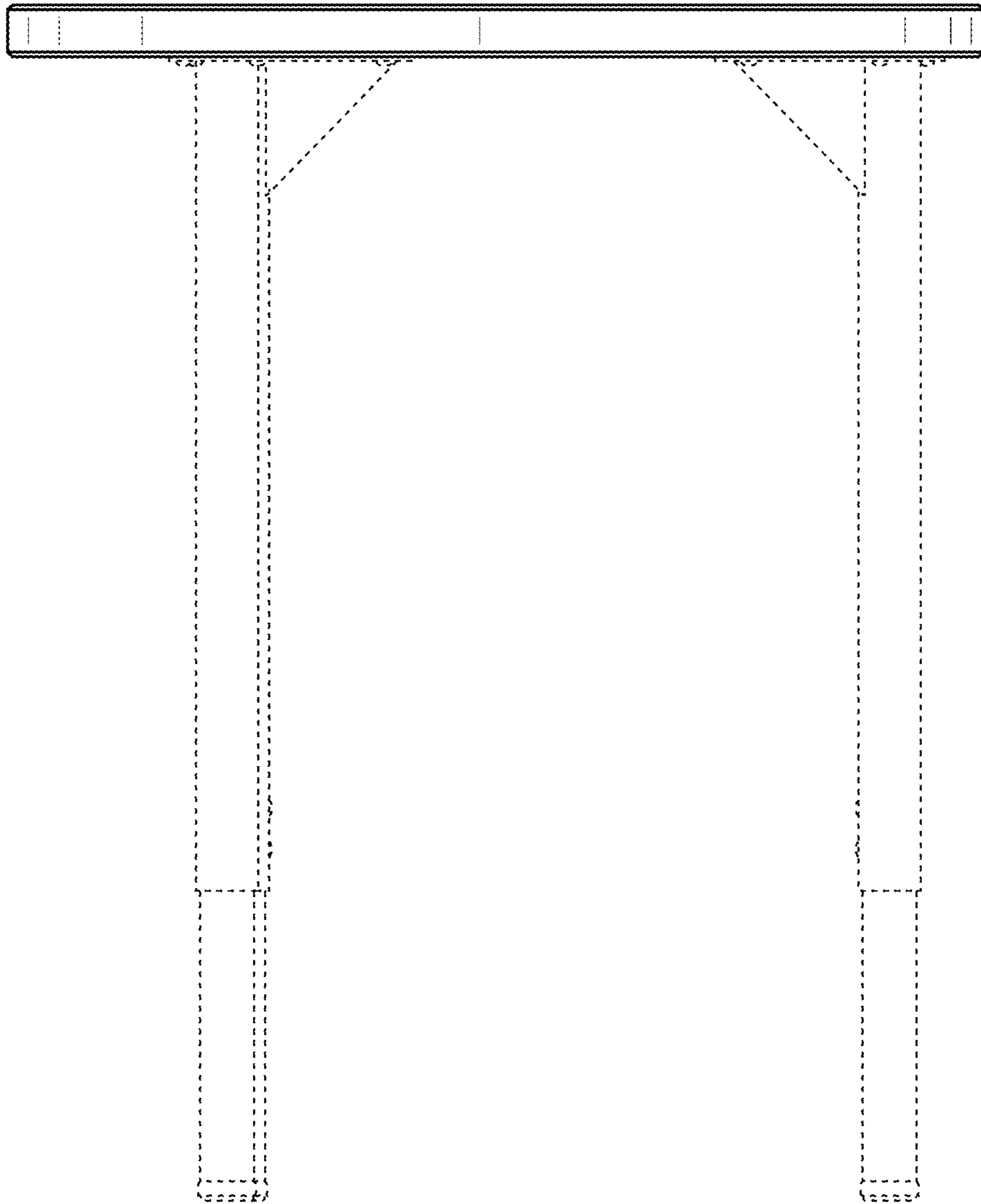


FIG. 4

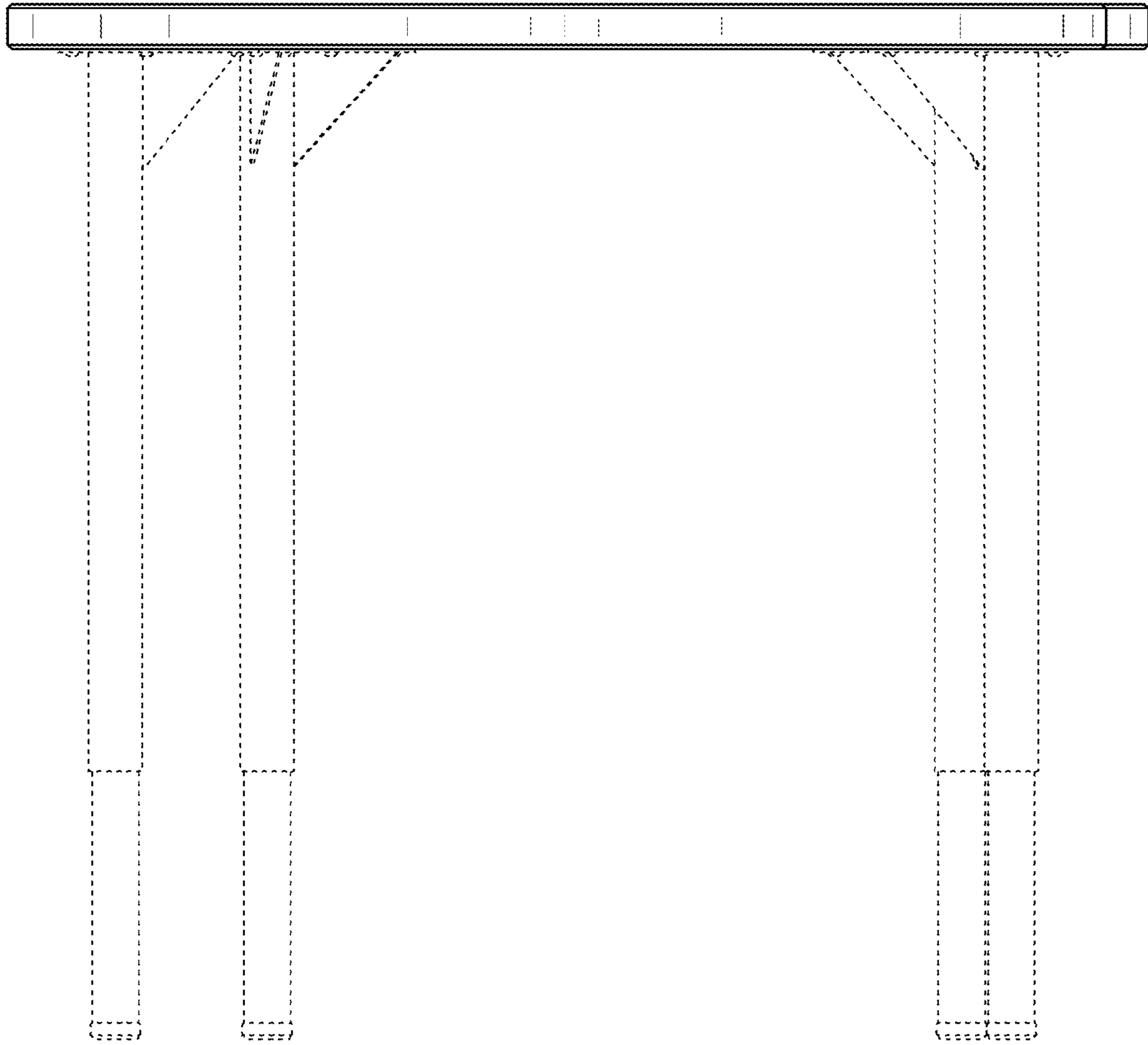


FIG. 5

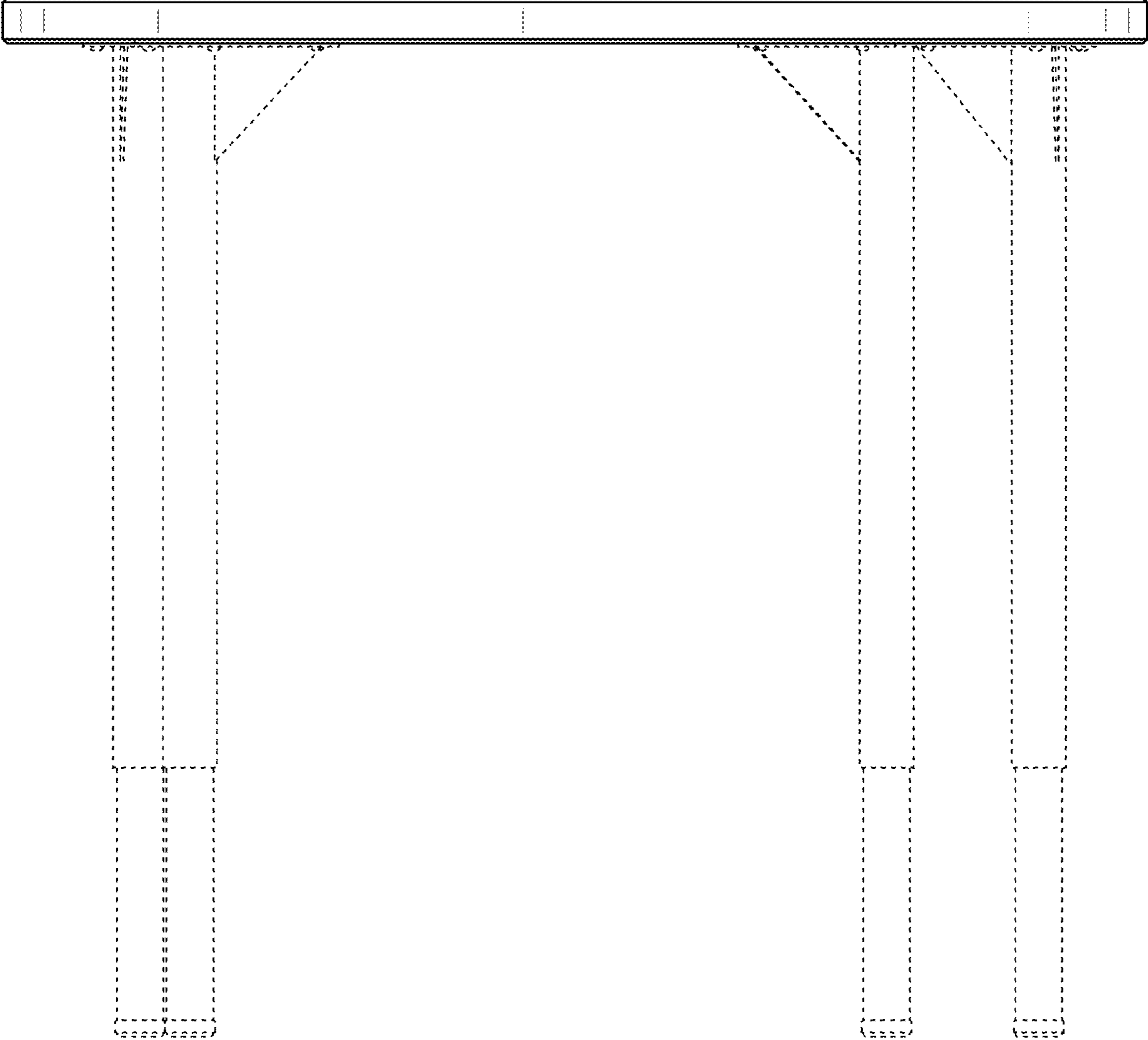


FIG. 6

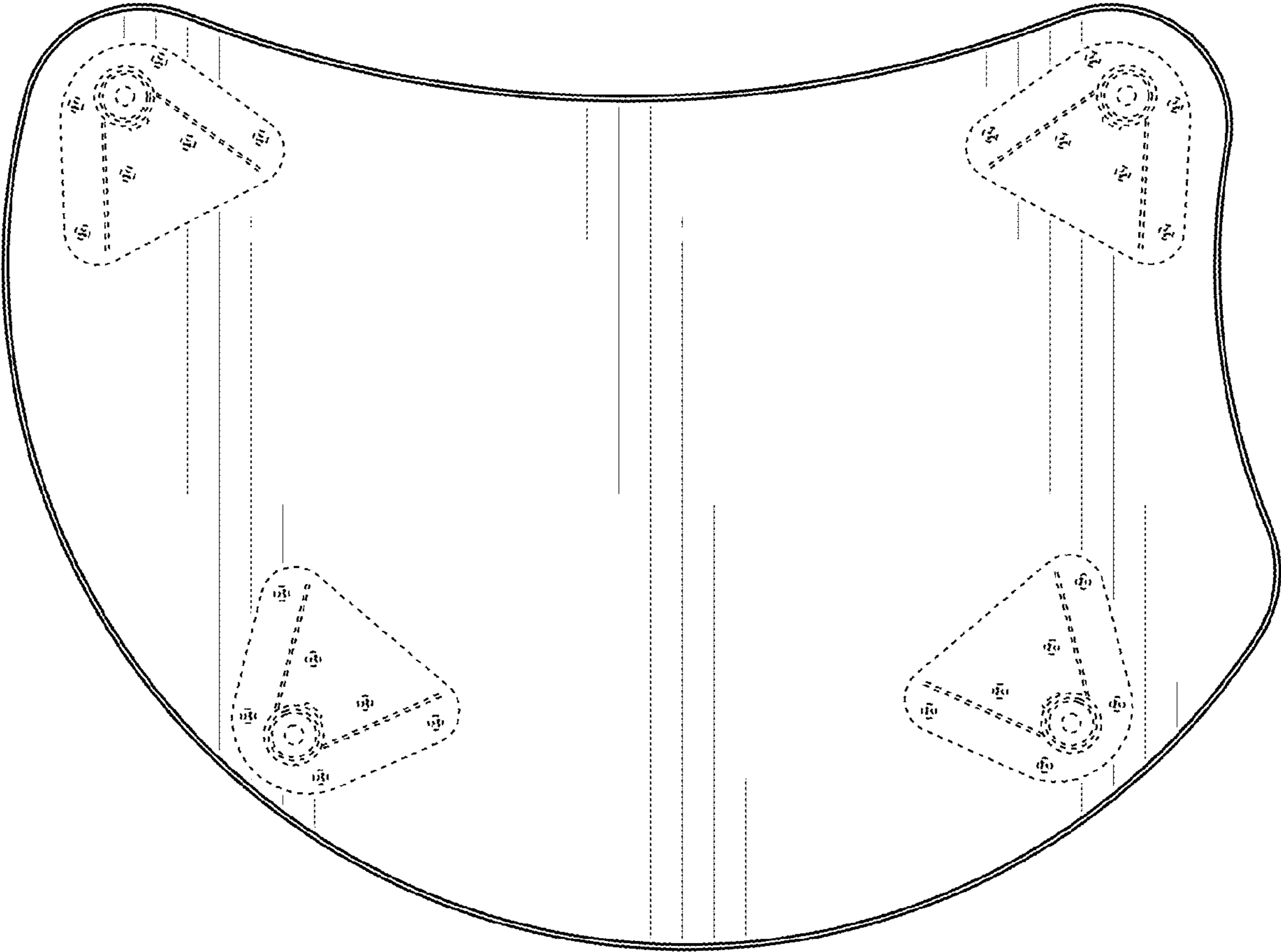


FIG. 7