



US00D950287S

(12) **United States Design Patent** (10) **Patent No.:** **US D950,287 S**  
**Varga et al.** (45) **Date of Patent:** **\*\* May 3, 2022**

(54) **TABLE TOP OR TABLE TOP WITH HARDWARE**

(71) Applicant: **SmithGroup, Inc.**, Detroit, MI (US)

(72) Inventors: **Slobodan Varga**, Detroit, MI (US);  
**Lori James**, Detroit, MI (US)

(73) Assignee: **SmithGroup, Inc.**, Detroit, MI (US)

(\*\*) Term: **15 Years**

(21) Appl. No.: **29/710,395**

(22) Filed: **Oct. 23, 2019**

(51) **LOC (13) Cl.** ..... **06-06**

(52) **U.S. Cl.**  
USPC ..... **D6/707.22**

(58) **Field of Classification Search**  
USPC ..... D6/641, 642, 656.1, 685, 686, 695,  
D6/695.1-695.8, 697, 697.1, 697.2, 702,  
D6/707, 707.19, 707.22; D21/386;  
D24/125  
CPC .. A47B 3/00; A47B 7/008; A47B 9/00; A47B  
13/00; A47B 13/02; A47B 13/04; A47B  
13/06; A47B 13/10; A47B 13/12; A47B  
17/00; A47B 21/00; A47B 23/00; A47B  
23/001; A47B 2200/0001; A47B  
2200/0011; A47B 2200/002  
See application file for complete search history.

(56) **References Cited**

**U.S. PATENT DOCUMENTS**

D163,029 S	*	4/1951	Erickson et al.	.....	D6/697
D276,394 S	*	11/1984	Foyle	.....	D6/697
D296,054 S	*	6/1988	Connell	.....	D6/360
D605,430 S	*	12/2009	Gharabegian	.....	D6/349
D793,782 S	*	8/2017	Corr	.....	D6/695

**OTHER PUBLICATIONS**

Structure Series Bow Tie Mobile Collaborative Table—Scool Outfitters [https://www.schooloutfitters.com/catalog/product\\_info/pfam\\_id/PFAM51362/products\\_id/PRO68562](https://www.schooloutfitters.com/catalog/product_info/pfam_id/PFAM51362/products_id/PRO68562) retrieved from the internet on Aug. 25, 2021.\*

\* cited by examiner

*Primary Examiner* — Mary Ann Calabrese

(74) *Attorney, Agent, or Firm* — Brooks Kushman P.C.

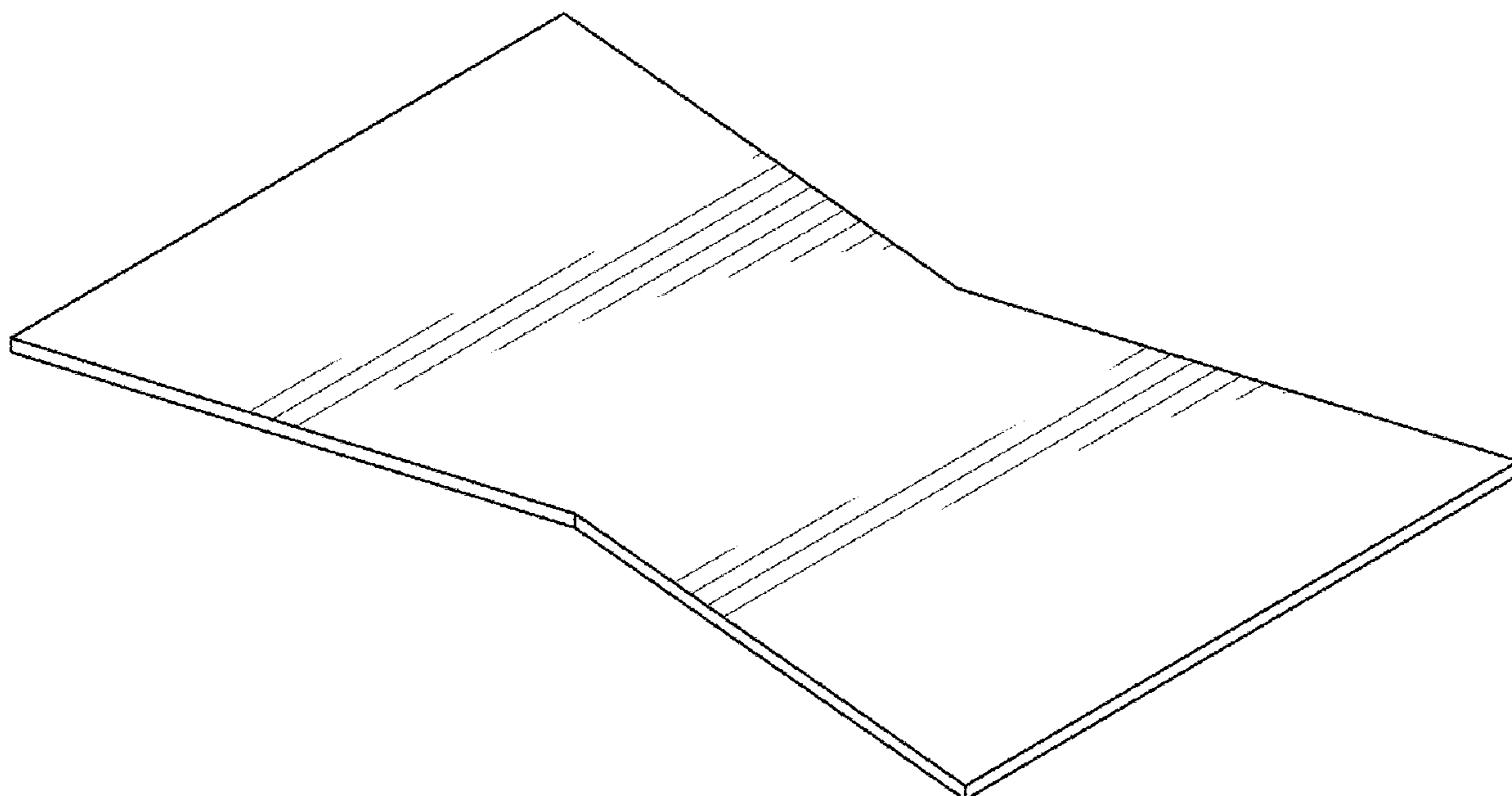
(57) **CLAIM**

The ornamental design for a table top, as shown and described.

**DESCRIPTION**

FIG. 1 is a top plan view of a table top, showing a first embodiment of our new design, the bottom plan view is identical thereto;  
FIG. 2 is a right side elevation view of the table top of FIG. 1, the left side elevation view is identical thereto;  
FIG. 3 is a front view of the table top of FIG. 1, the rear view is identical thereto;  
FIG. 4 is a perspective view of the table top of FIG. 1;  
FIG. 5 is a top plan view of a table top, showing a second embodiment of our new design, the bottom plan view is identical thereto;  
FIG. 6 is a right side elevation view of the table top of FIG. 5, the left side elevation view is identical thereto;  
FIG. 7 is a front view of the table top of FIG. 5, the rear view is identical thereto; and,  
FIG. 8 is a perspective view of the table top of FIG. 5.

**1 Claim, 4 Drawing Sheets**



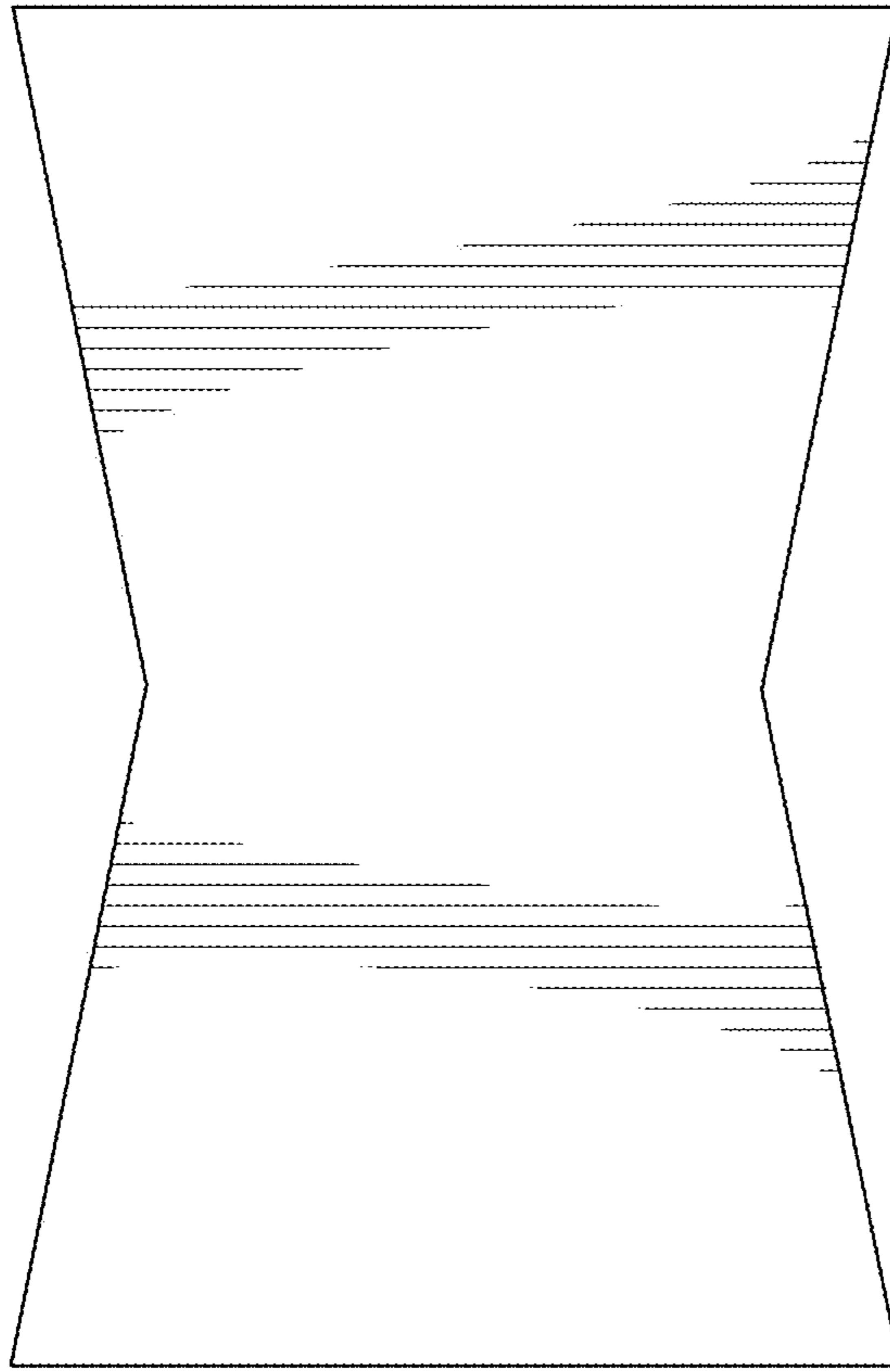


FIG. 1

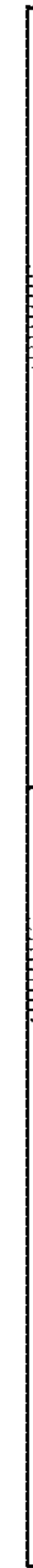


FIG. 2



FIG. 3

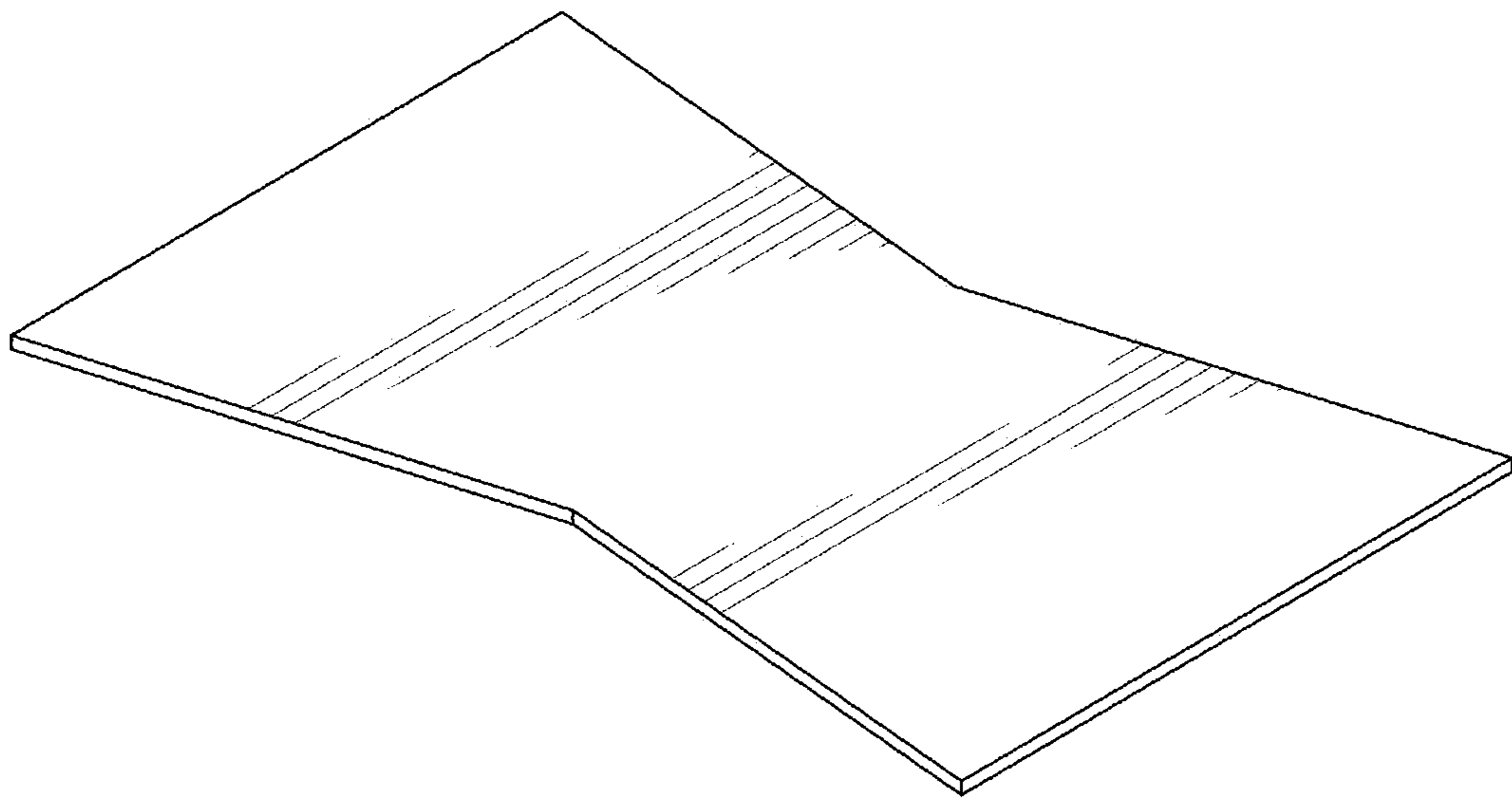


FIG. 4

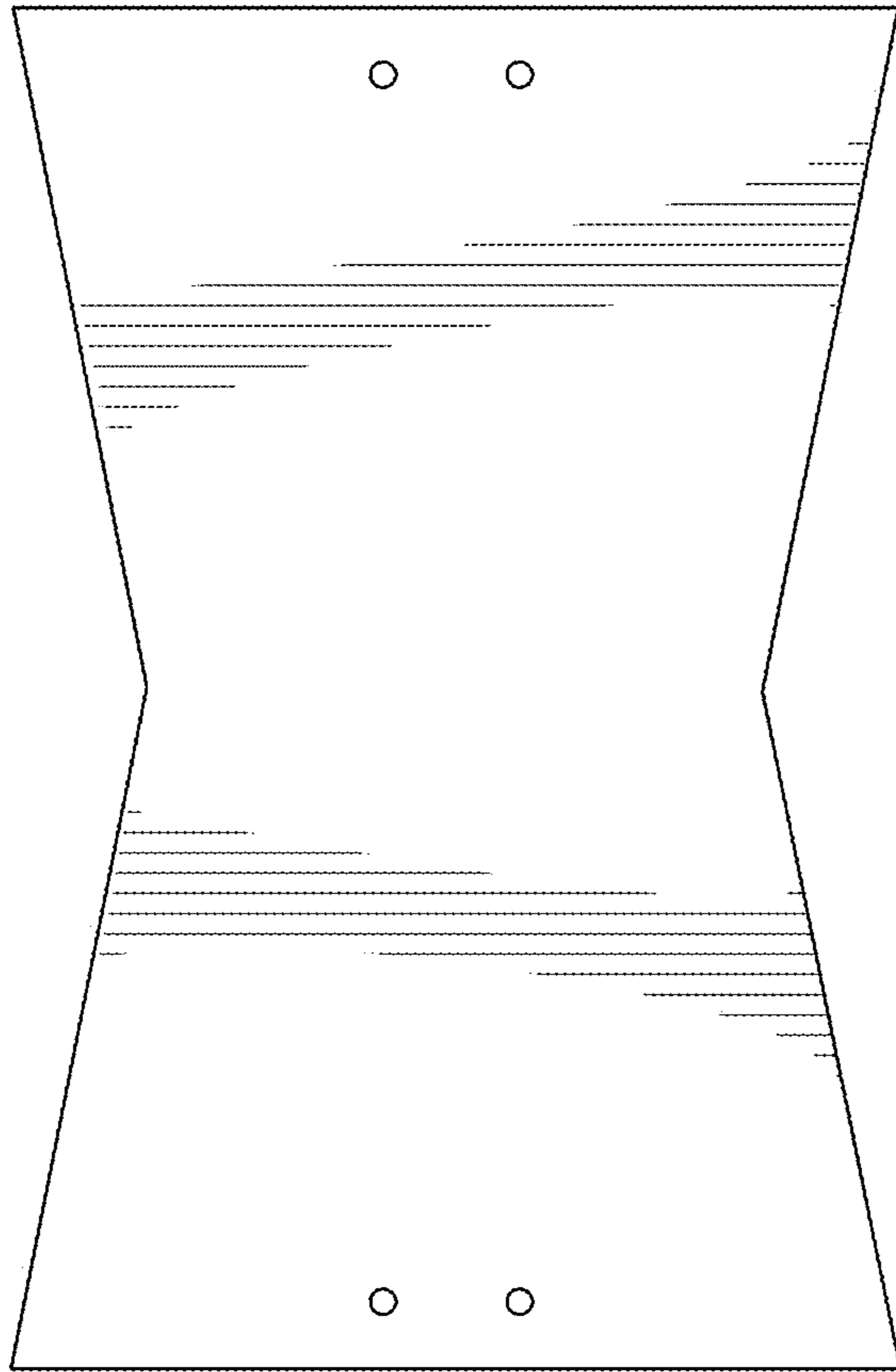


FIG. 5

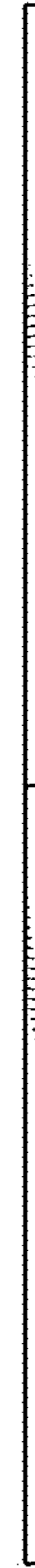


FIG. 6

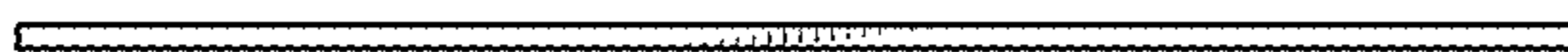


FIG. 7

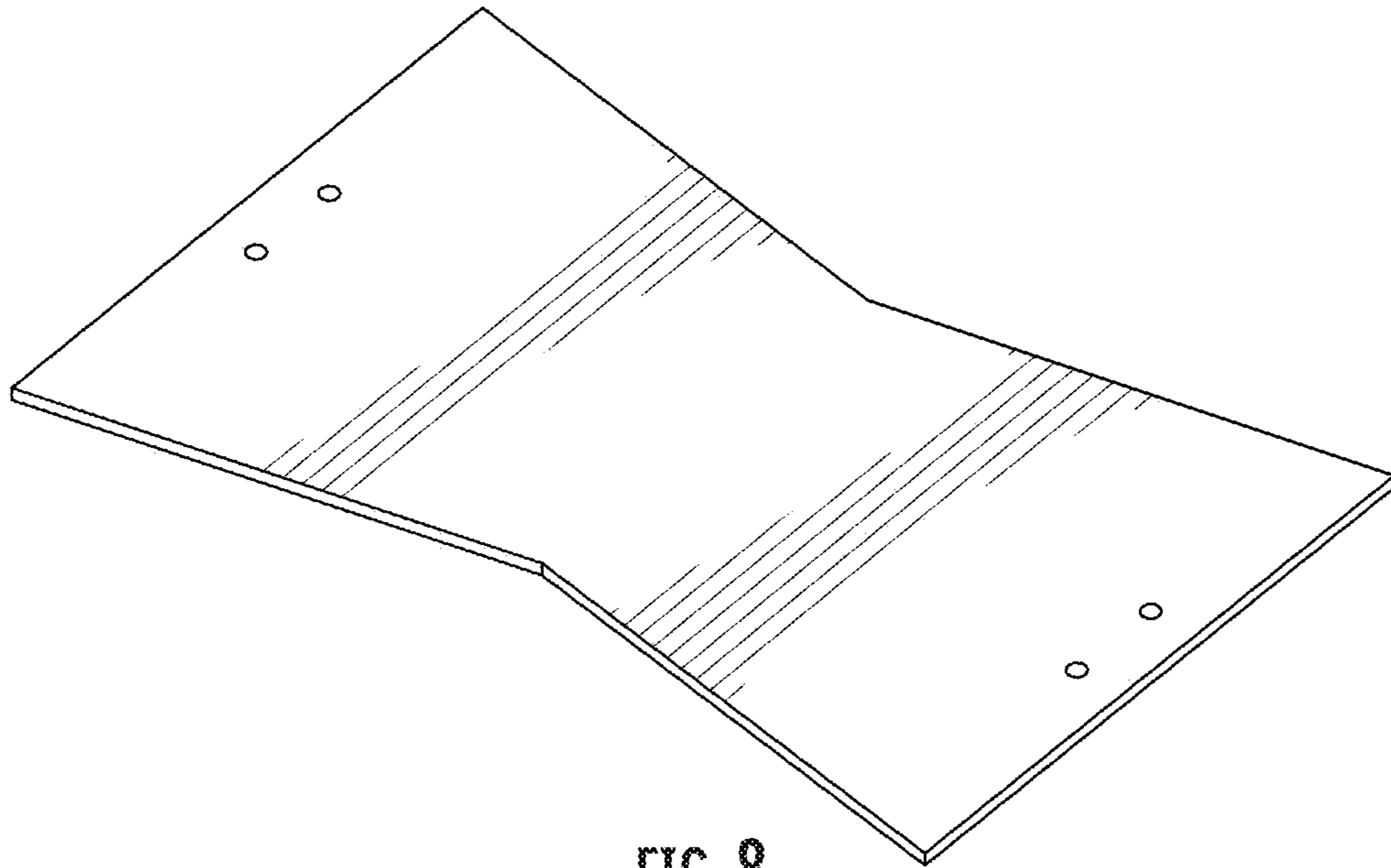


FIG. 8