



US00D950285S

(12) **United States Design Patent** (10) **Patent No.:** **US D950,285 S**
Wittock (45) **Date of Patent:** **** May 3, 2022**

(54) **MODULAR TABLE**

(71) Applicant: **CWARCHITECTS**, Brussels (BE)

(72) Inventor: **Charles Wittock**, Brussels (BE)

(73) Assignee: **CWARCHITECTS**, Brussels (BE)

(**) Term: **15 Years**

(21) Appl. No.: **35/510,602**

(22) Filed: **Sep. 30, 2020**

(80) **Hague Agreement Data**

Int. Filing Date: **Sep. 30, 2020**

Int. Reg. No.: **DM/210736**

Int. Reg. Date: **Sep. 30, 2020**

Int. Reg. Pub. Date: **Oct. 23, 2020**

(30) **Foreign Application Priority Data**

Aug. 26, 2020 (EM) 008147920-0001

Aug. 26, 2020 (EM) 008147920-0002

(51) **LOC (13) Cl.** **06-03**

(52) **U.S. Cl.**
USPC **D6/696.3**

(58) **Field of Classification Search**

USPC D6/512, 513, 524, 527, 528, 535, 536,
D6/542, 550, 551, 553, 663, 664, 672,
D6/673, 674, 675, 675.1, 675.2, 680,
D6/680.1, 680.2, 680.3, 681, 681.1,
D6/681.2, 681.3, 682, 682.6, 683, 683.1,
D6/696, 696.3, 697.1, 707.22, 697, 715,
D6/715.1, 715.2, 717, 717.1, 717.2

CPC B05B 11/3047; A47F 7/0035; A47F 5/01;
A47F 1/087; A47F 5/083; A47F 5/02;
A47F 5/0018; A47F 5/10; A47F 5/0093;
A47F 5/0876; A47F 7/022; Y10T
29/49826; A47D 1/002; A47D 1/103;
A47B 13/088; A47B 87/002; A47B
3/002; A47B 87/02;

(Continued)

(56) **References Cited**

U.S. PATENT DOCUMENTS

D359,405 S * 6/1995 Ball D6/696
5,438,937 A * 8/1995 Ball A47B 87/002
108/64

(Continued)

OTHER PUBLICATIONS

Tlomag, posted at tlmagazine.com, posted on Jan. 21, 2021, site visited Aug. 25, 2021. online, available from internet: <https://tlmagazine.com/charly-wittock-from-architecture-to-furniture/> (Year: 2021).*

Primary Examiner — Mary Ann Calabrese

Assistant Examiner — Catherine Ho

(74) *Attorney, Agent, or Firm* — Staas & Halsey LLP

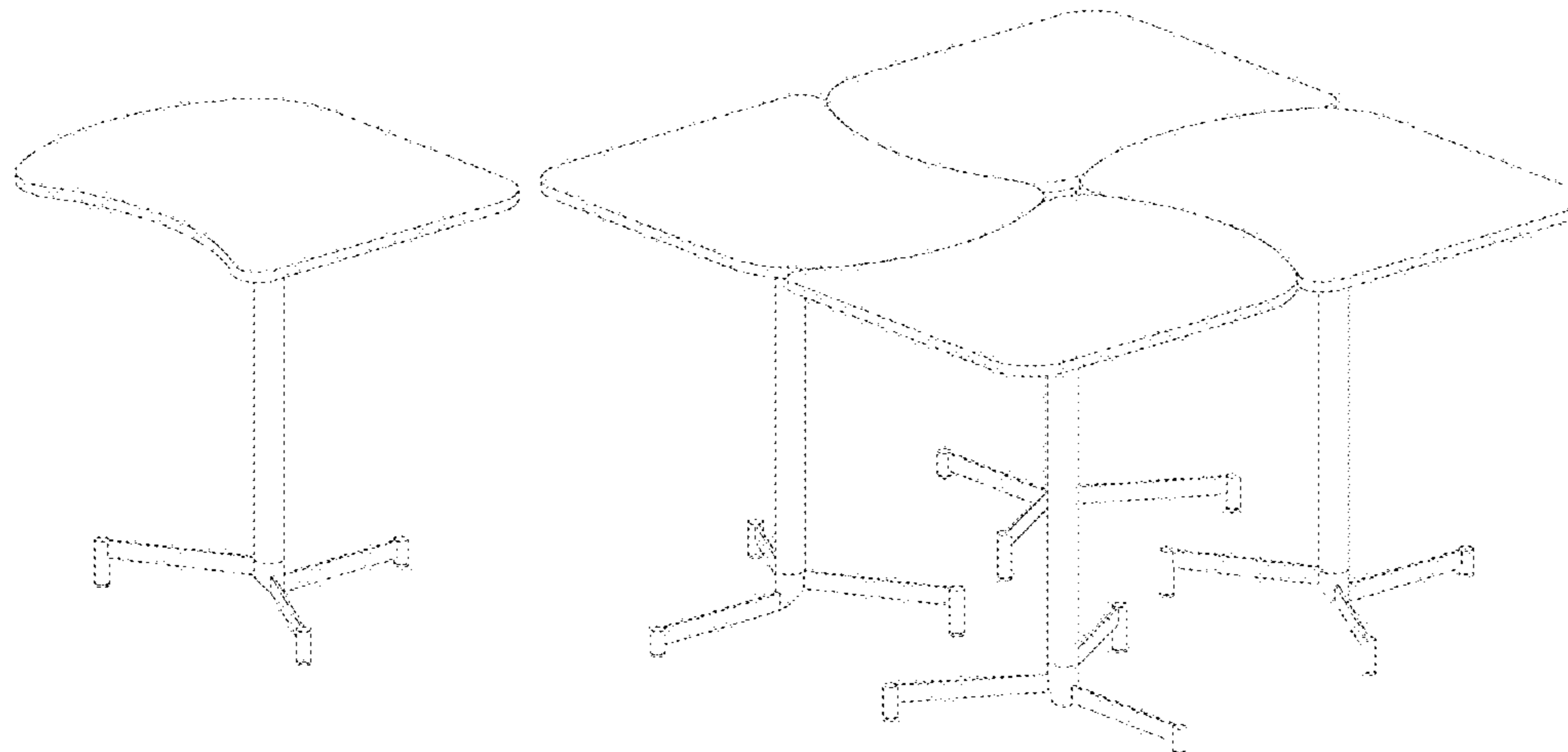
(57) **CLAIM**

The ornamental design for a modular table, as shown and described.

DESCRIPTION

1. Modular table
2. Set of modular tables
 - 1.1: is a left view of the first embodiment of a modular table, showing my new design
 - 1.2: is a left view thereof shown in a folded position
 - 1.3: is a front view of 1.1
 - 1.4: is a back view thereof
 - 1.5: is a right side view thereof
 - 1.6: is a top view thereof
- 2.1: is a left view of the second embodiment of a set of modular table, one of the components isolated for clarity of illustration
- 2.2: is a back view thereof
- 2.3: is a right side view thereof
- 2.4: is a front view thereof
- 2.5: is a perspective view of a set of modular table
- 2.6: is a perspective view thereof in an alternate position

(Continued)



2.7: is a perspective view thereof in an another alternate position

1 Claim, 13 Drawing Sheets

(58) Field of Classification Search

CPC A47B 47/06; A47B 47/05; A47B 47/045;
G02B 25/002

See application file for complete search history.

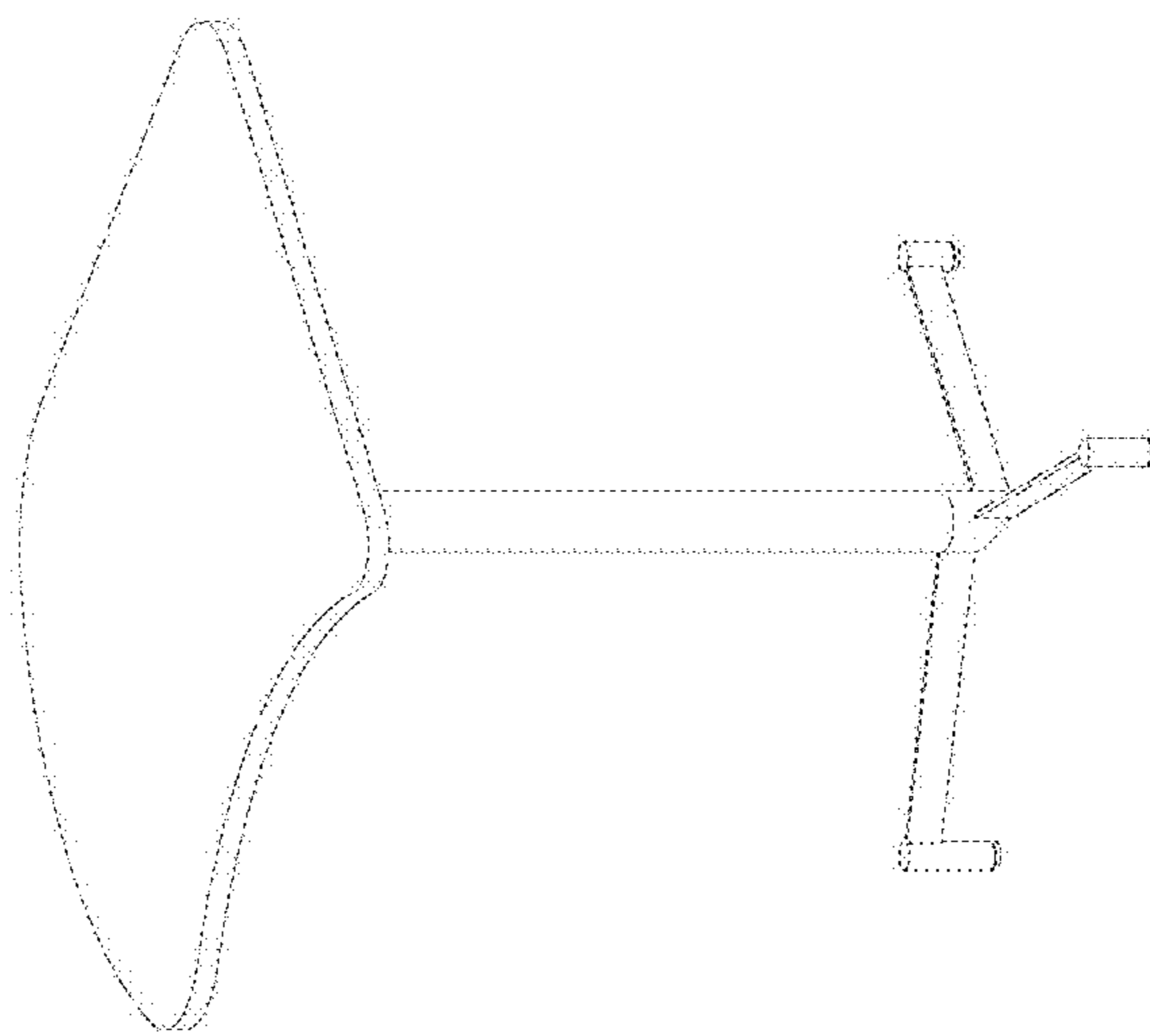
(56) References Cited

U.S. PATENT DOCUMENTS

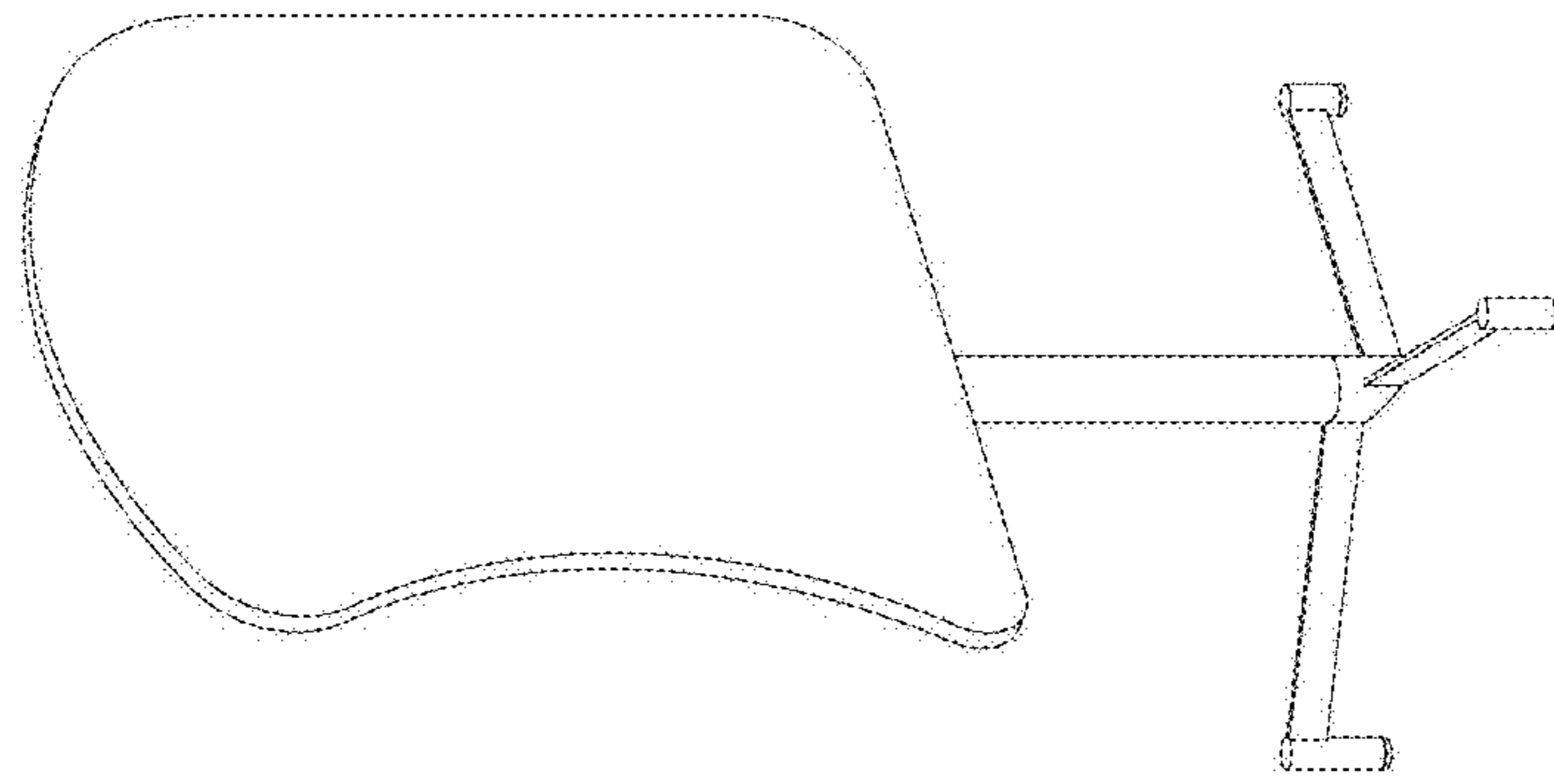
D419,001 S * 1/2000 Swensson D6/696.1
 D419,002 S * 1/2000 Swensson D6/696.1
 D435,366 S * 12/2000 McClintock D6/656.13
 7,555,989 B2 * 7/2009 Sherman A47B 13/088
 108/64
 D703,984 S * 5/2014 Nasserri D6/707.22

D745,797 S * 12/2015 Legare D6/707.22
 D749,347 S * 2/2016 Stubbs D6/707.22
 D770,207 S * 11/2016 Legare D6/707.22
 D774,338 S * 12/2016 Legare D6/707.22
 D776,473 S * 1/2017 Fletcher D6/707.22
 D780,487 S * 3/2017 Brown D6/656.13
 D810,485 S * 2/2018 Teller D6/707.23
 D834,865 S * 12/2018 Godwin D6/707.22
 D839,648 S * 2/2019 Legare D6/707
 D846,314 S * 4/2019 Dardashti D6/653.11
 D859,895 S * 9/2019 Haase D6/707.22
 D860,698 S * 9/2019 Godwin D6/707.22
 D909,803 S * 2/2021 Hobbs D6/707.22
 D911,760 S * 3/2021 Godwin D6/707.22
 11,026,506 B1 * 6/2021 Murray G06F 30/10
 D927,235 S * 8/2021 Vang D6/707.22
 2013/0129405 A1 * 5/2013 Everett F16B 12/46
 403/66
 2014/0007799 A1 * 1/2014 Nasserri A47B 13/10
 108/156
 2015/0028633 A1 * 1/2015 Stubbs A47B 87/002
 297/135

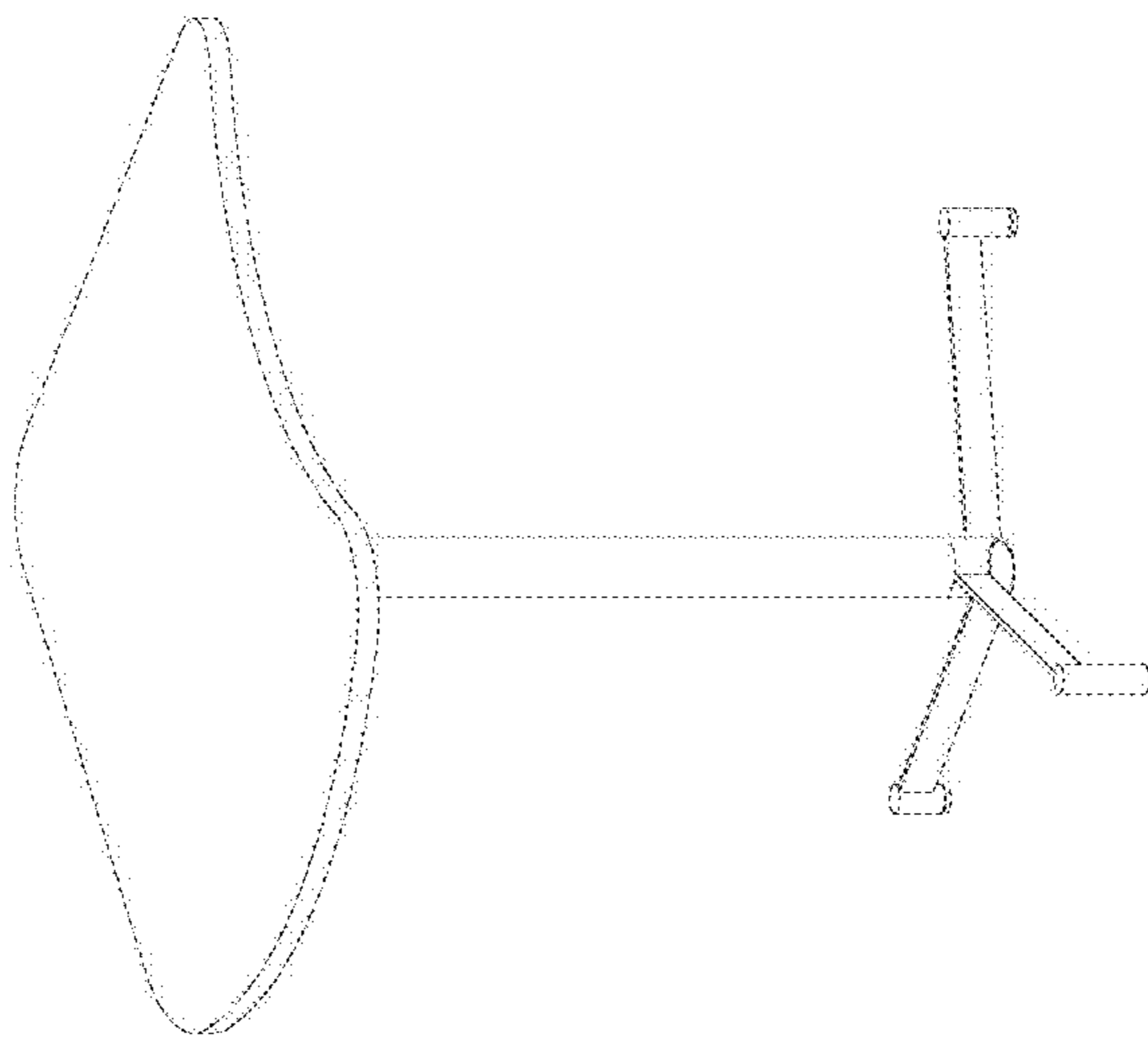
* cited by examiner



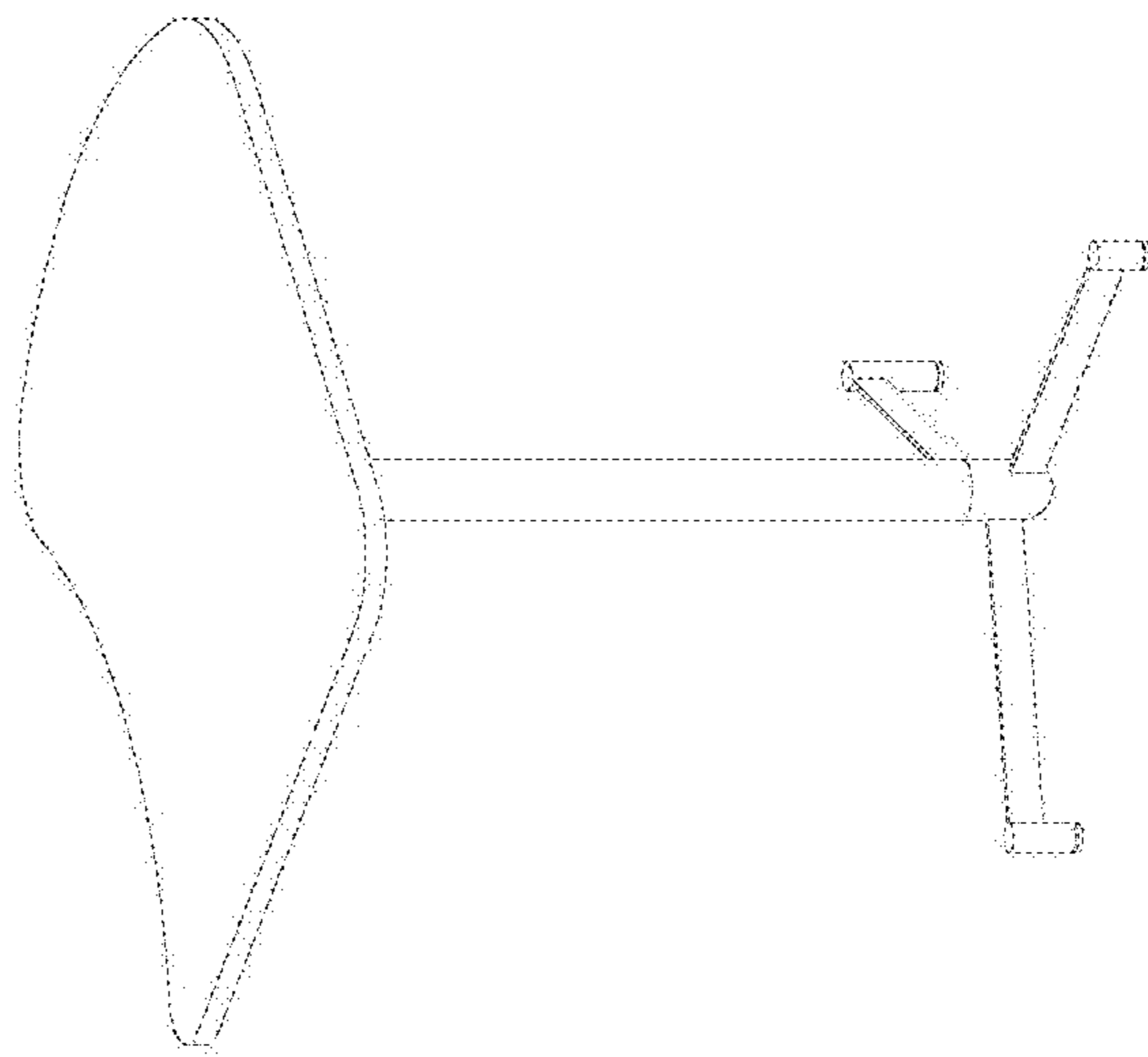
1.1



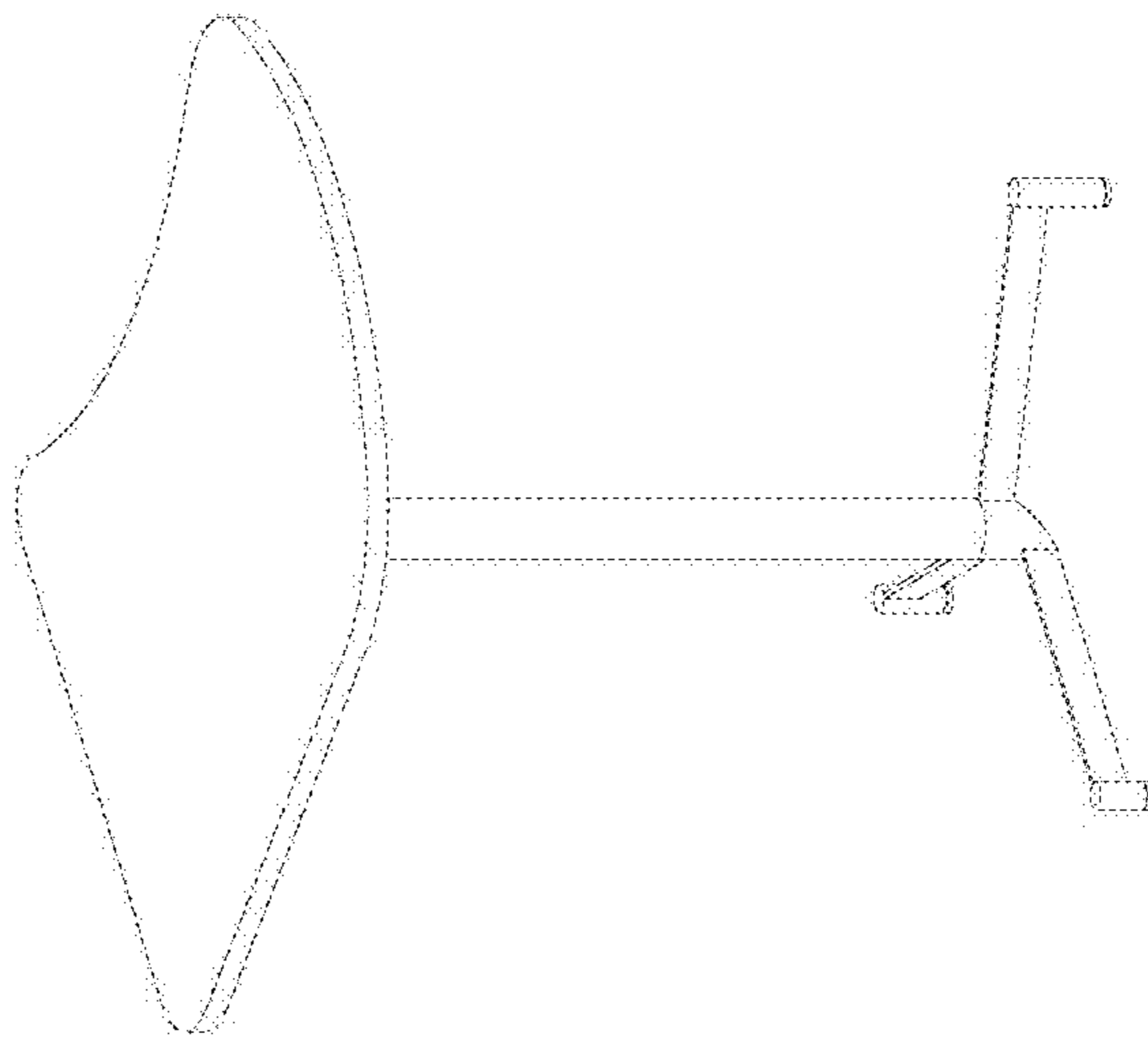
1.2



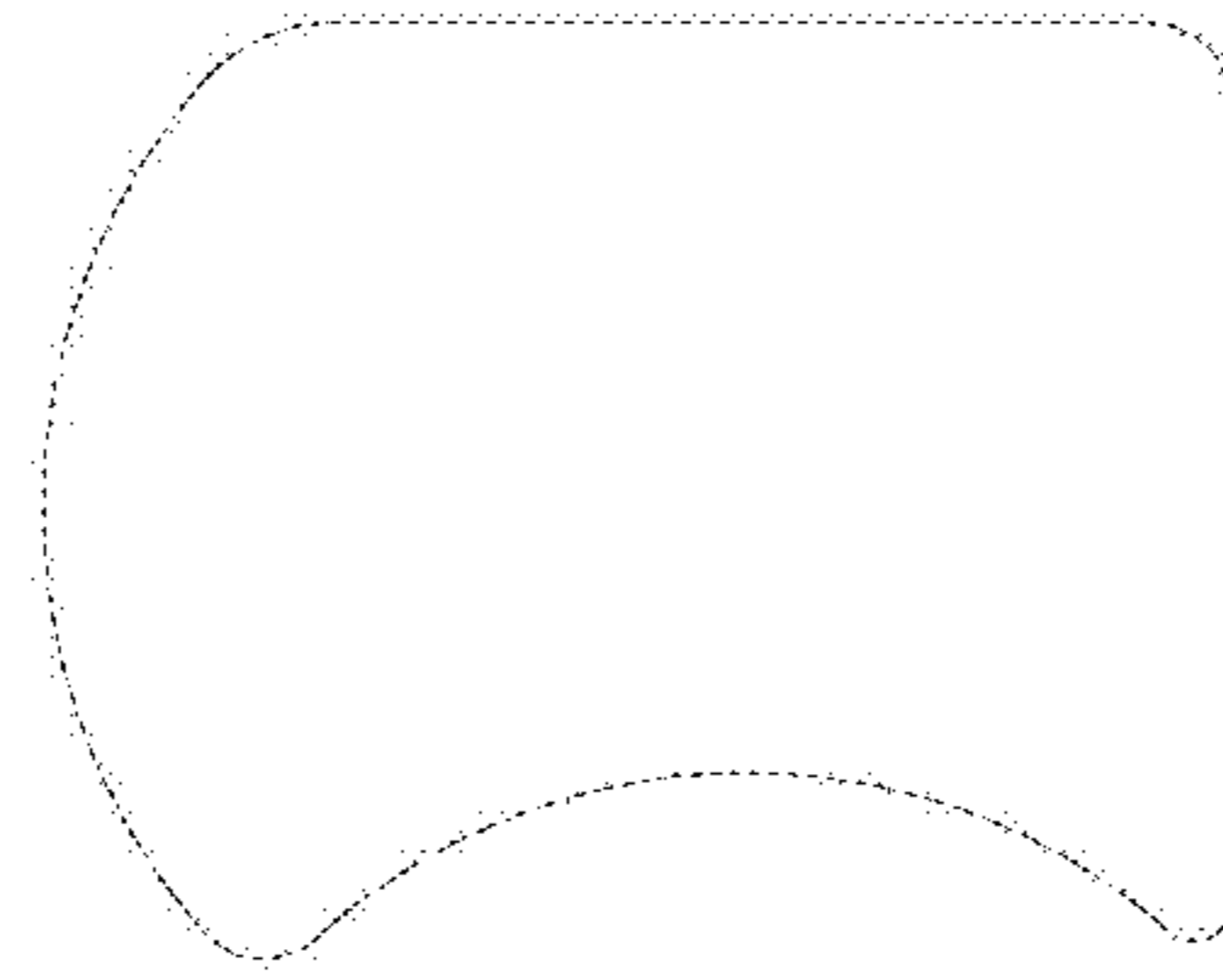
1.3



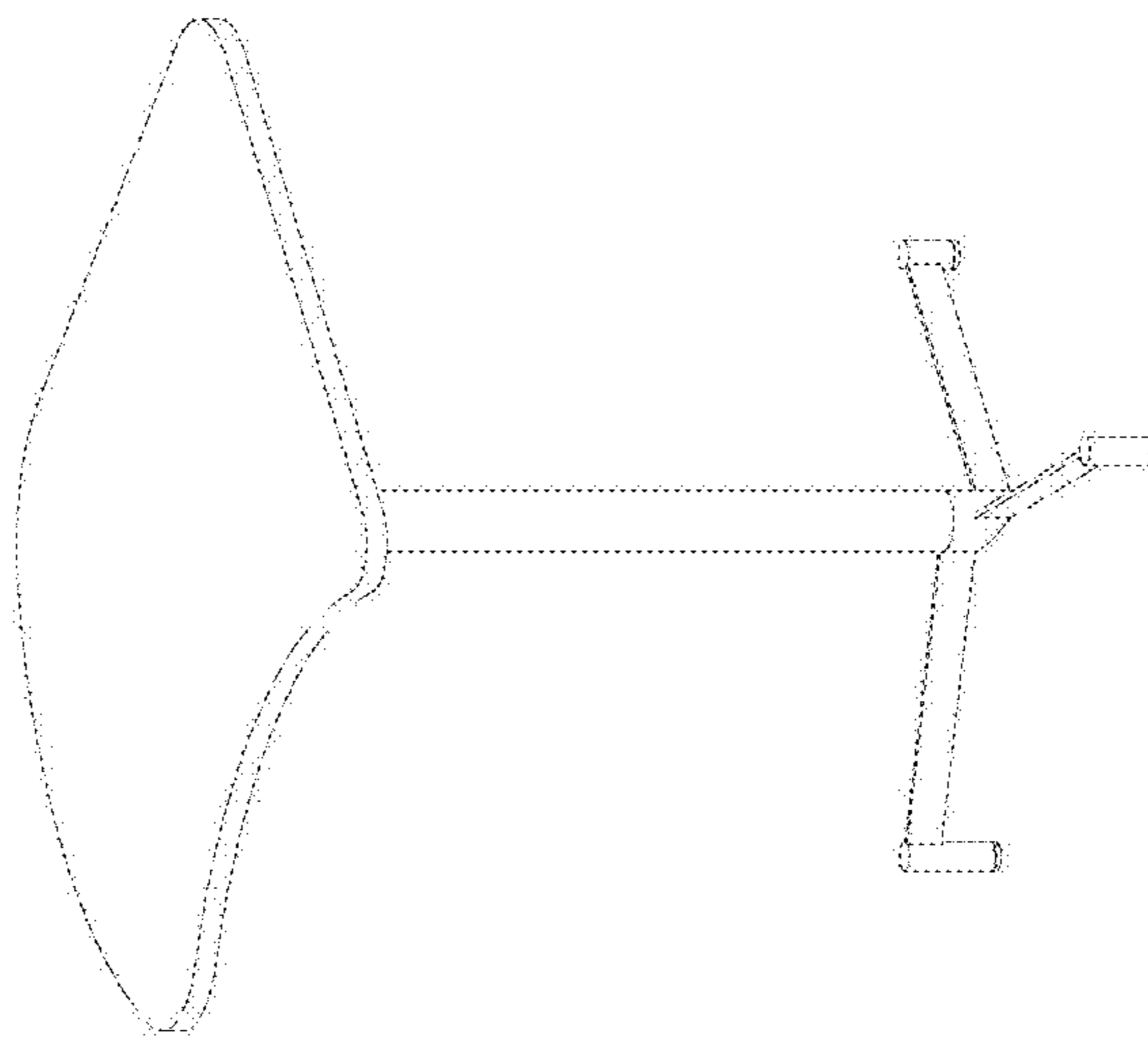
1.4



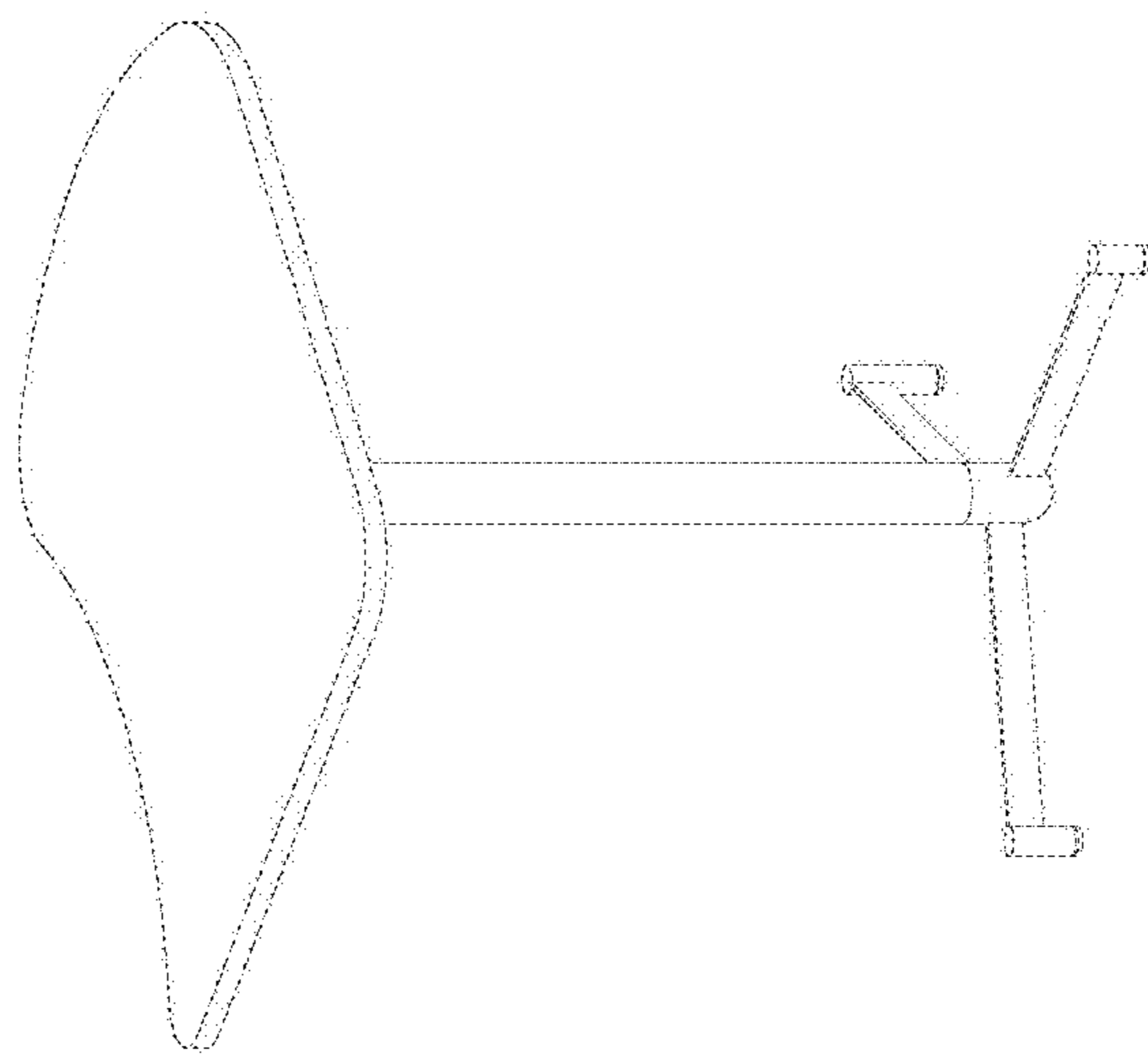
1.5



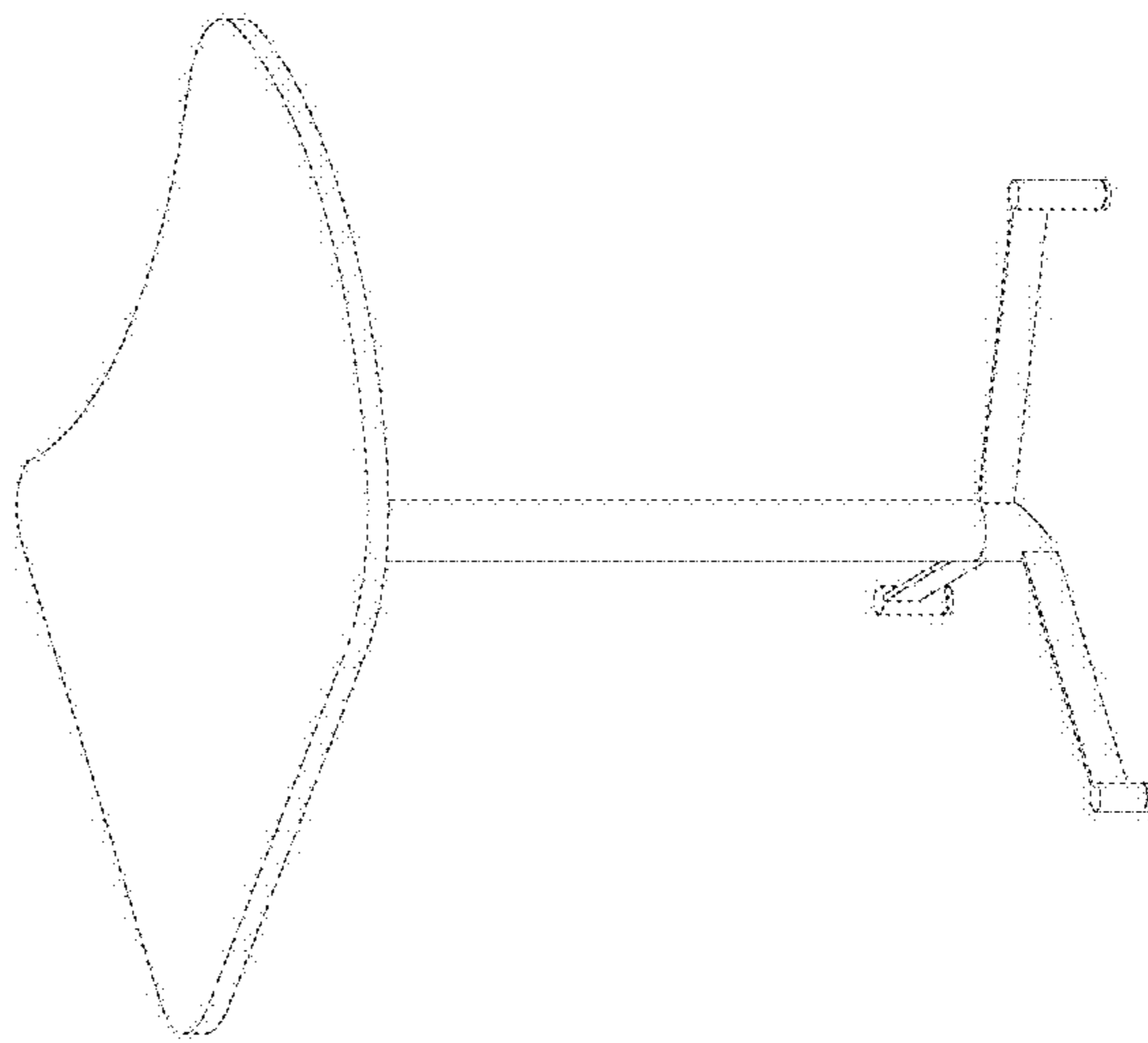
1.6



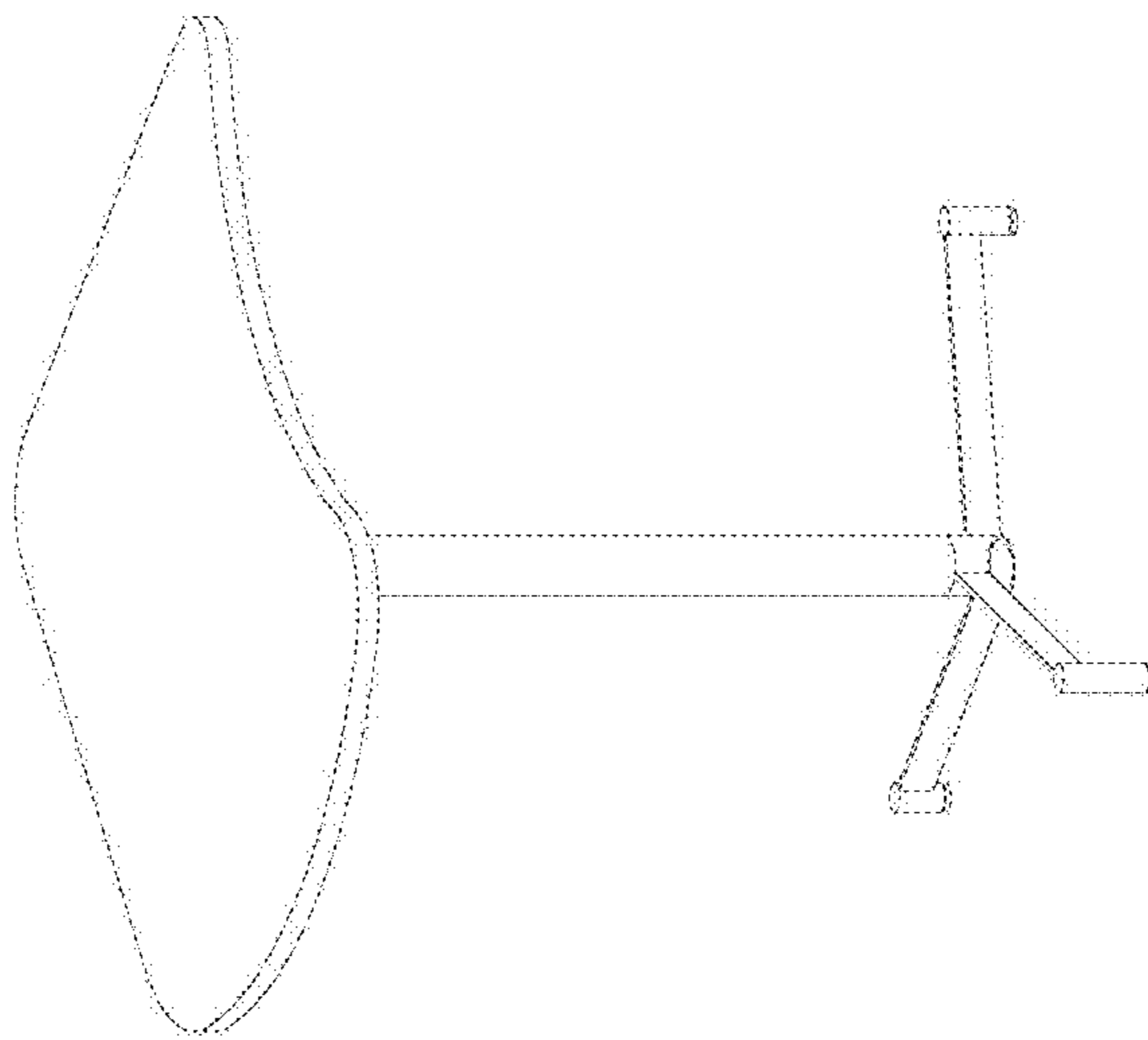
2.1



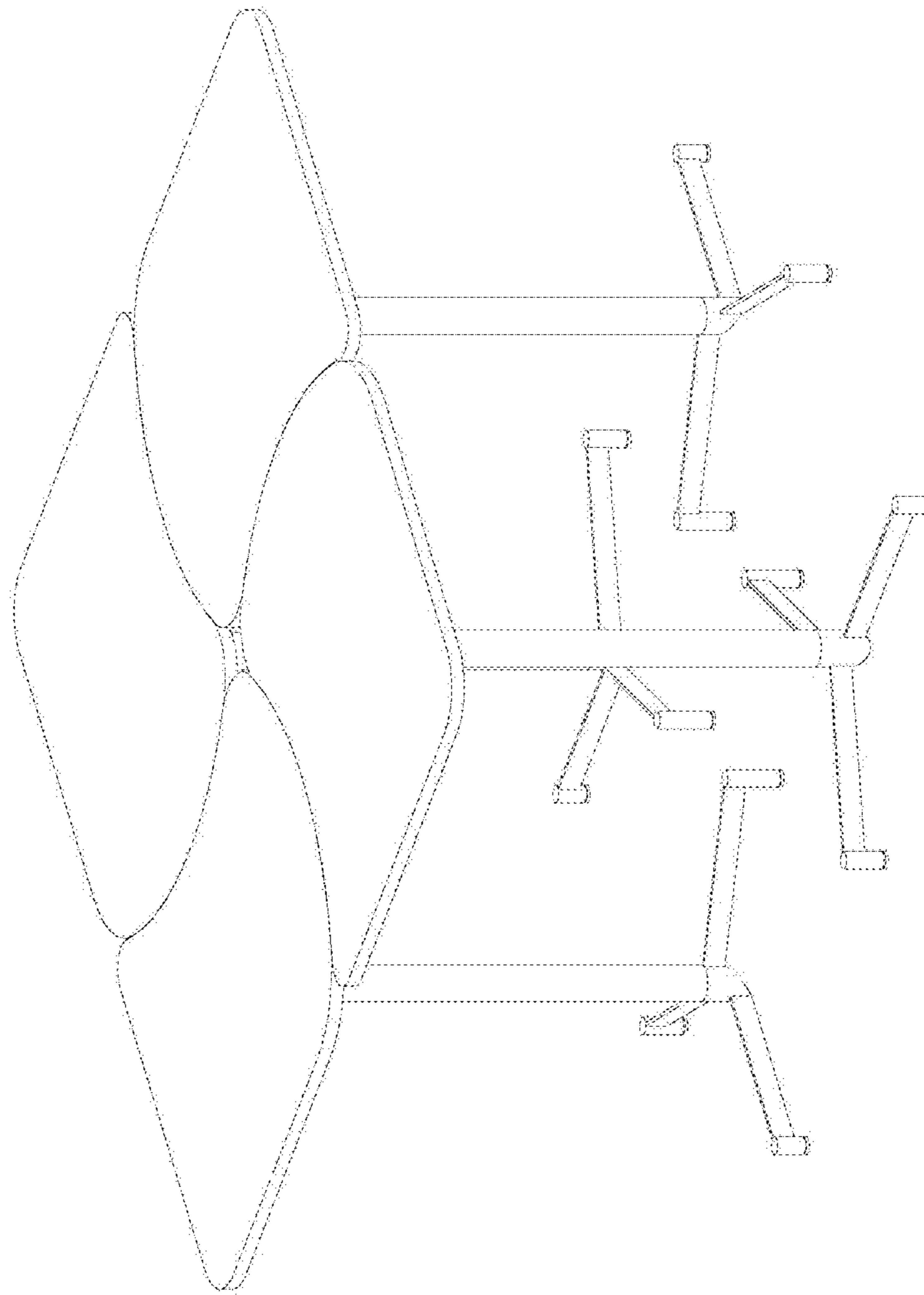
2.2



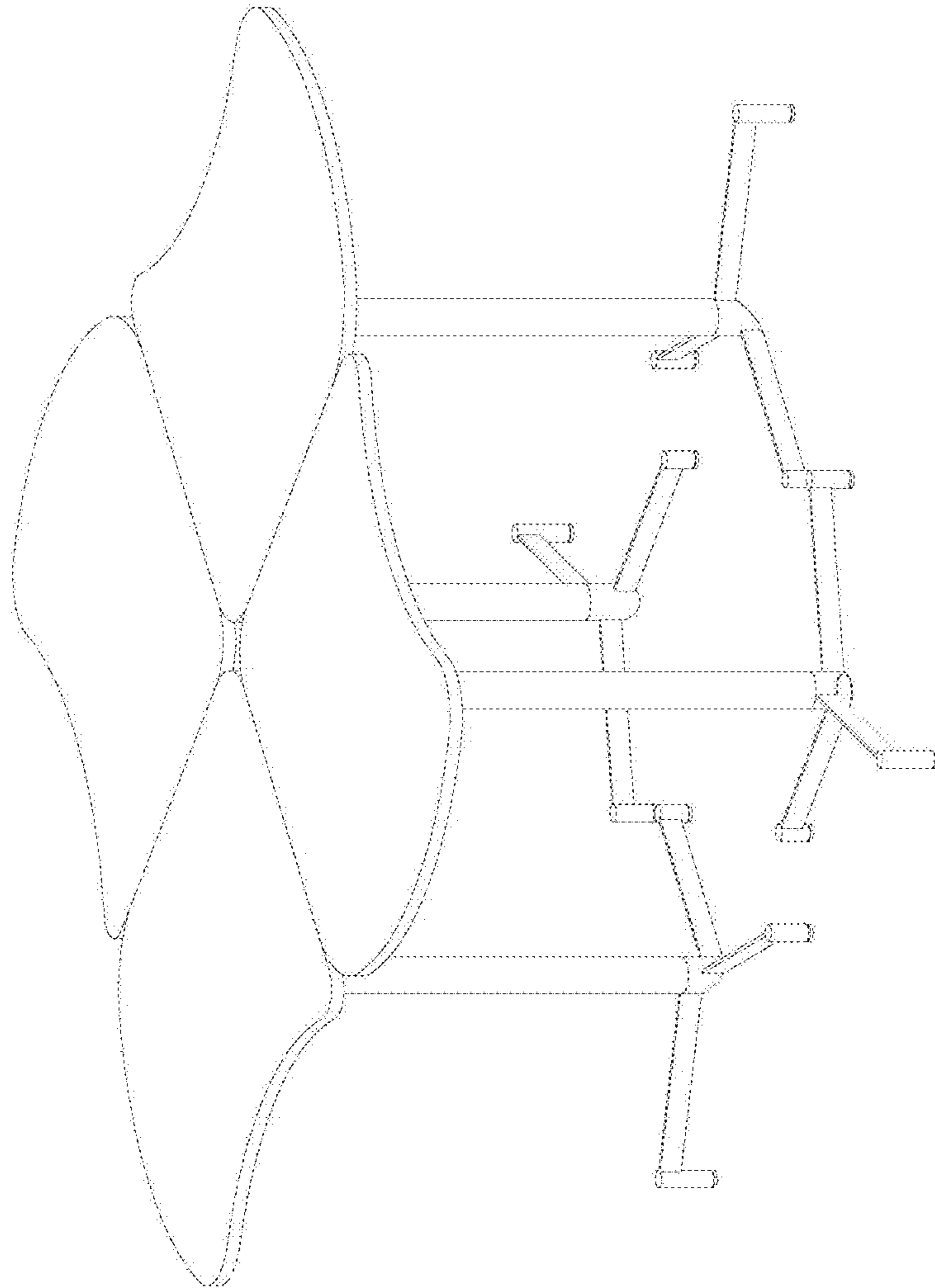
2.3



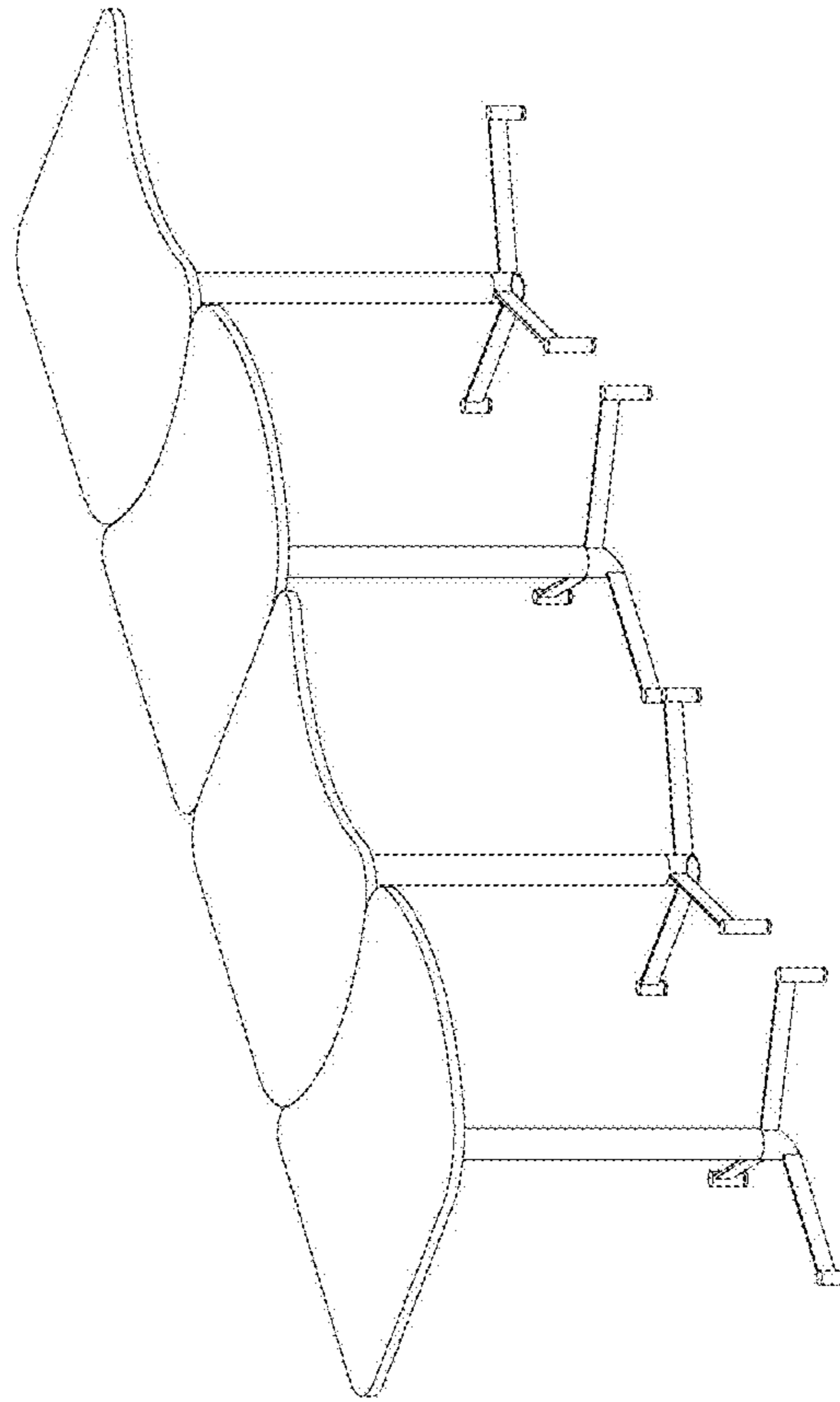
2.4



2.5



2.6



2.7