



US00D950281S

(12) **United States Design Patent**
He

(10) **Patent No.:** **US D950,281 S**

(45) **Date of Patent:** **** May 3, 2022**

(54) **DOUBLE-DECK FOLDING STORAGE RACK**

(71) Applicant: **Xinyu He**, Hunan Province (CN)

(72) Inventor: **Xinyu He**, Hunan Province (CN)

(**) Term: **15 Years**

(21) Appl. No.: **29/777,909**

(22) Filed: **Apr. 8, 2021**

(51) **LOC (13) Cl.** **06-06**

(52) **U.S. Cl.**
USPC **D6/675.3**

(58) **Field of Classification Search**
USPC D6/675, 675.2, 675.3, 675.5, 678.4, 682,
D6/680.1, 680.2, 680.3; D7/600.1, 600.4,
D7/571-572, 576-577
CPC A47B 73/002; A47B 73/00; A47B 73/004;
A47B 43/00; A47B 47/02; A47B 47/021;
A47F 5/00; A47F 5/0018; A47F 5/0031;
A47F 5/0043; A47F 5/01; A47F 5/10;
B65D 21/0211

See application file for complete search history.

(56) **References Cited**

U.S. PATENT DOCUMENTS

4,666,201	A *	5/1987	Chap	A47F 5/01 211/126.9
D376,941	S *	12/1996	Munoz	D6/525
D397,898	S *	9/1998	Walters-Dowding	D6/525
D429,435	S *	8/2000	Walters-Dowding	D6/571
D452,533	S *	12/2001	Goodman	D19/90
D556,476	S *	12/2007	Butler	D6/708.16
D568,635	S *	5/2008	Klein	D6/675.2
D578,815	S *	10/2008	Dominique	D6/570
8,573,416	B2 *	11/2013	Didehvar	A47K 3/281 211/119.009

D739,681	S *	9/2015	Bee	D7/600.4
D753,422	S *	4/2016	Snider	D6/675.3
D753,939	S *	4/2016	Tsai	D6/678.4
D781,621	S *	3/2017	Nava	D6/675.2
D785,979	S *	5/2017	Snider	D6/675.1
D874,849	S *	2/2020	Albanese	D6/566
D881,652	S *	4/2020	Repko	D7/600.4
D898,487	S *	10/2020	Wilson	D6/675.2
D909,138	S *	2/2021	Song	D7/600.4
D910,349	S *	2/2021	Kurlander	
D912,471	S *	3/2021	Tsai	D7/600.4
D942,177	S *	2/2022	Liu	D6/569

* cited by examiner

Primary Examiner — Kelley A Donnelly

(57) **CLAIM**

The ornamental design for a double-deck folding storage rack, as shown and described.

DESCRIPTION

FIG. 1 is a front and top perspective view of a double-deck folding storage rack, showing my new design; FIG. 2 is a rear and bottom perspective view thereof; FIG. 3 is a front elevation view thereof; FIG. 4 is a rear elevation view thereof; FIG. 5 is a left side elevation view thereof; FIG. 6 is a right side elevation view thereof; FIG. 7 is a top plan view thereof; FIG. 8 is a bottom plan view thereof; and, FIG. 9 is an enlarged view of a portion labeled, 'FIG. 9' in FIG. 1.

The dash dot dash lines in FIGS. 1 and 9 are for the purpose of depicting the cut line of the enlarged view and form no part of the claim.

1 Claim, 9 Drawing Sheets

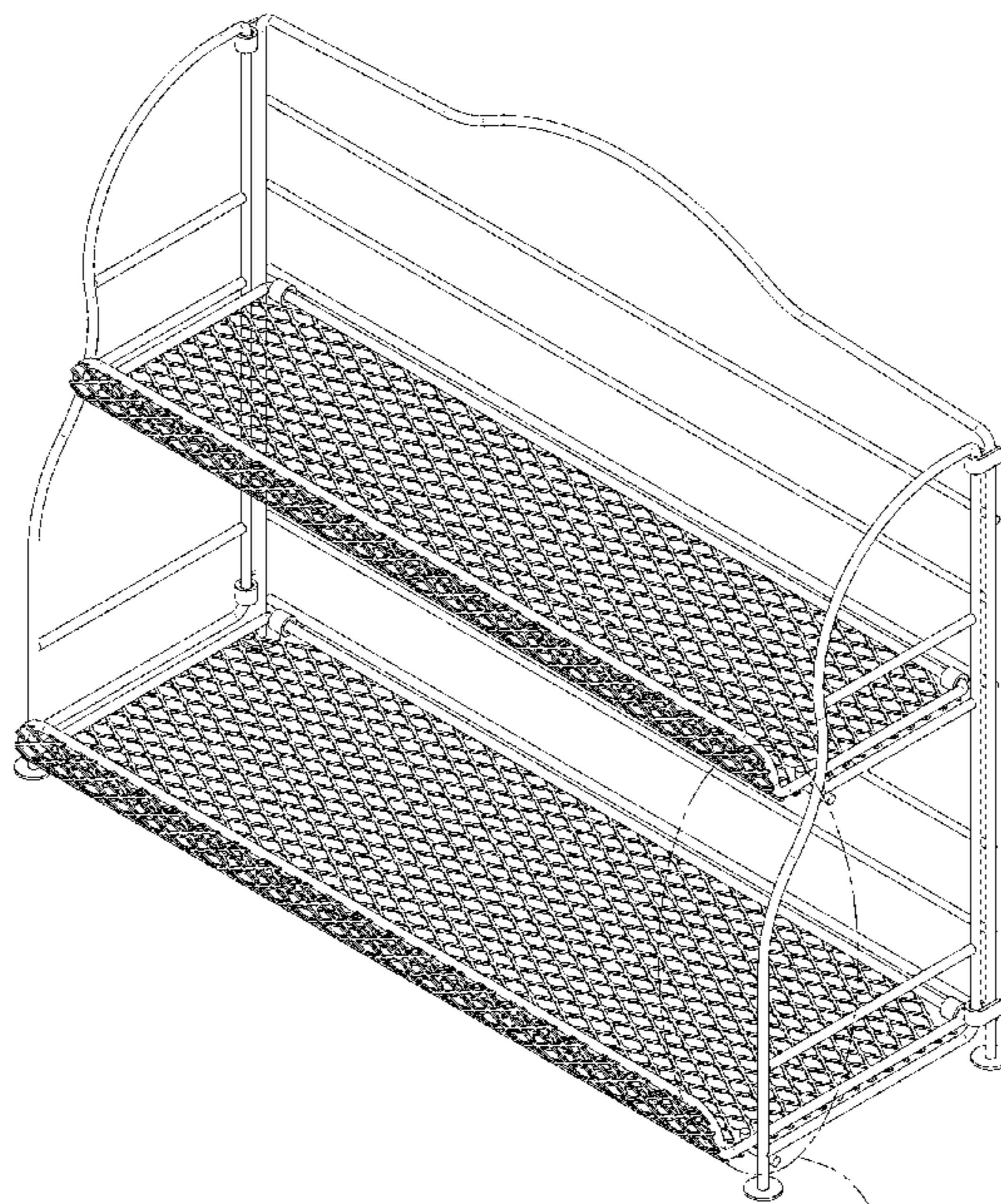


FIG. 9

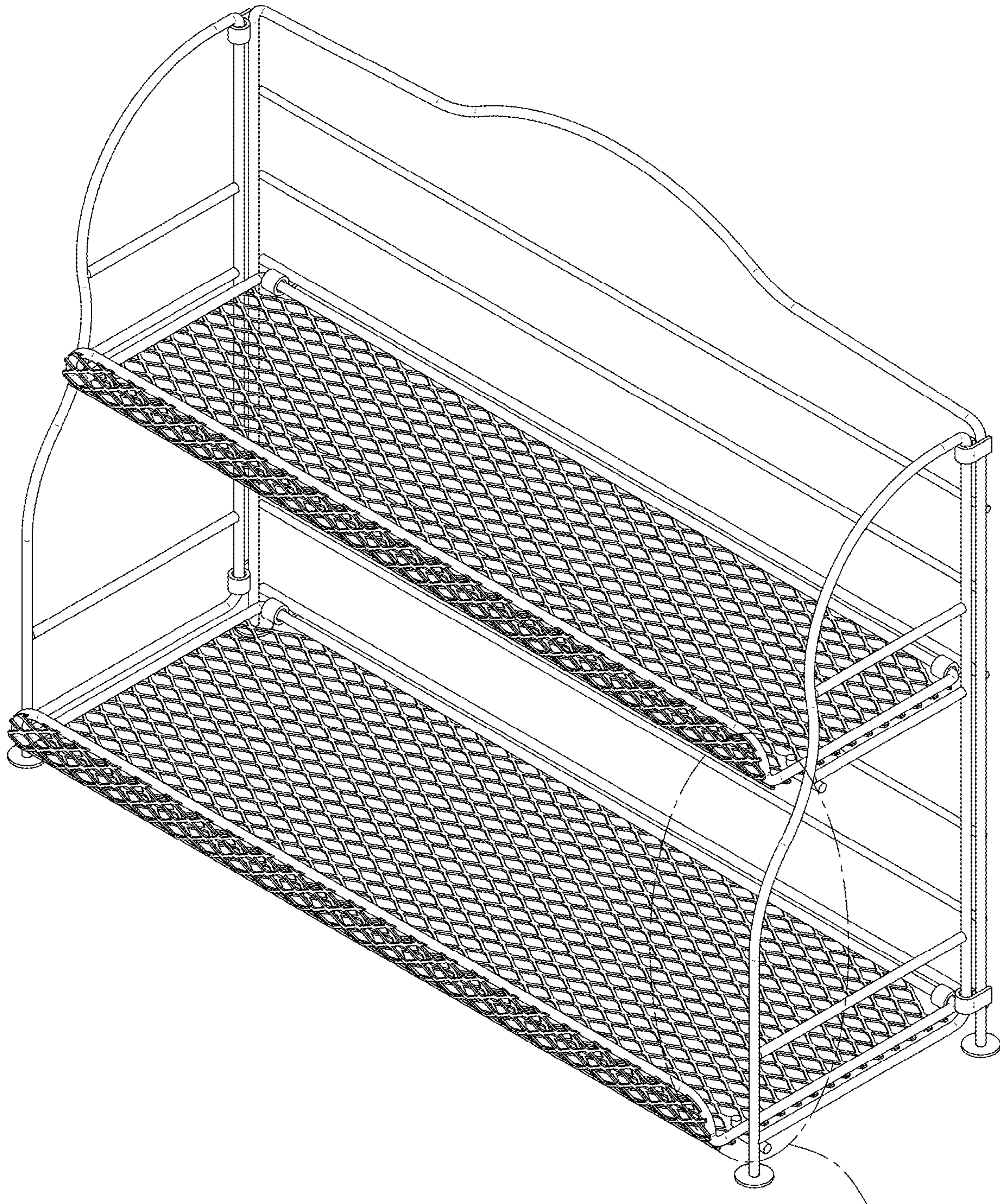


FIG. 1

FIG. 9

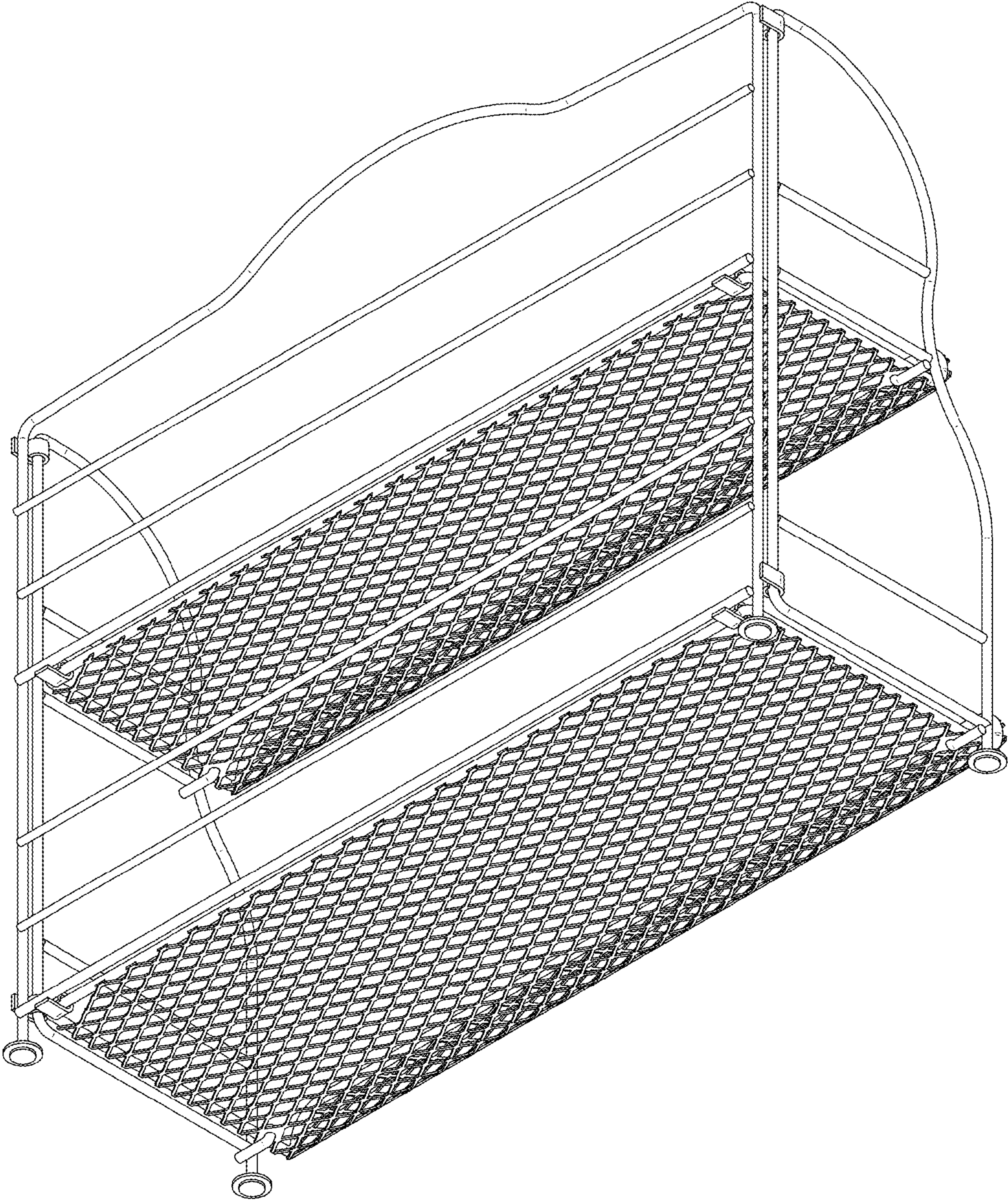


FIG. 2

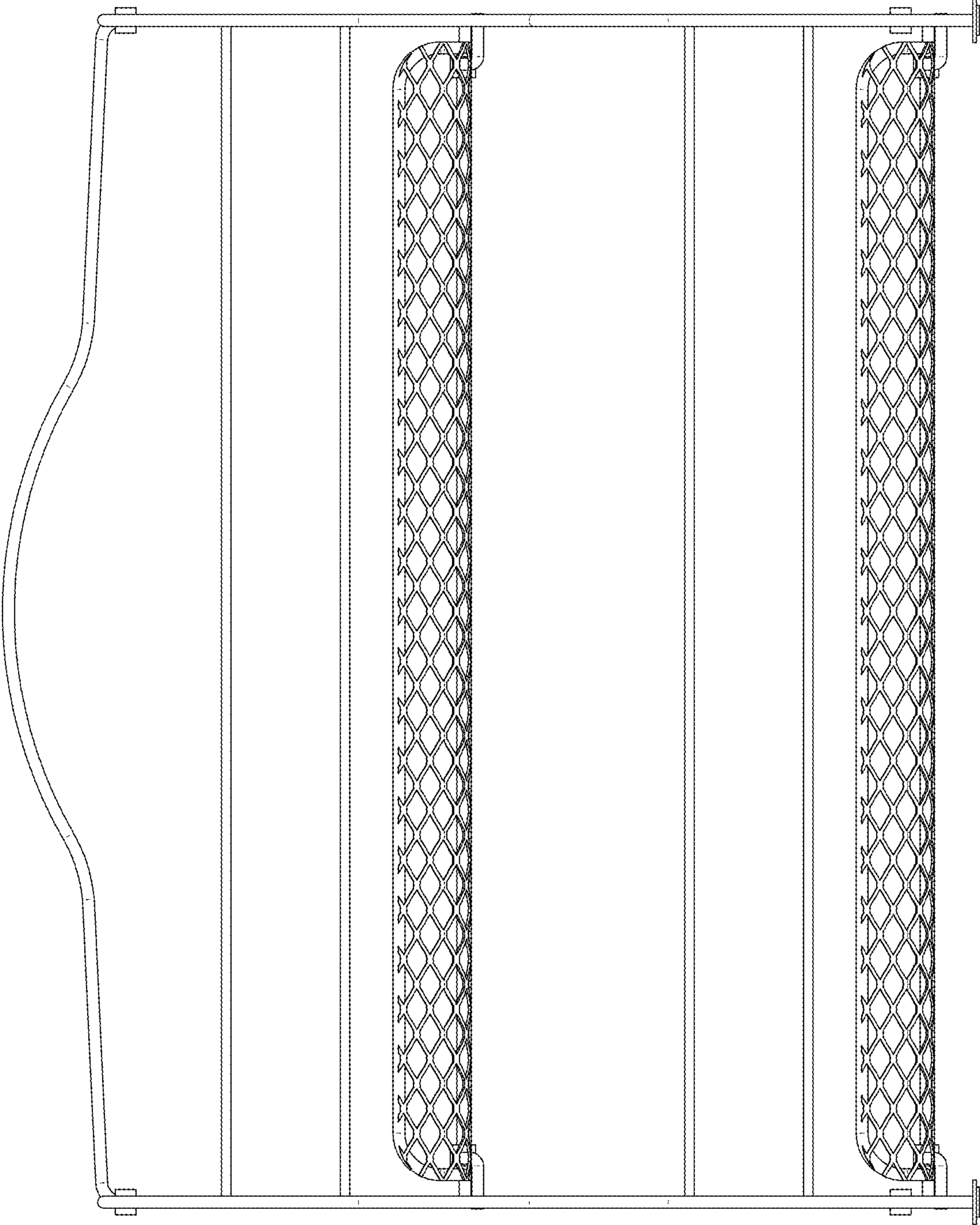


FIG. 3

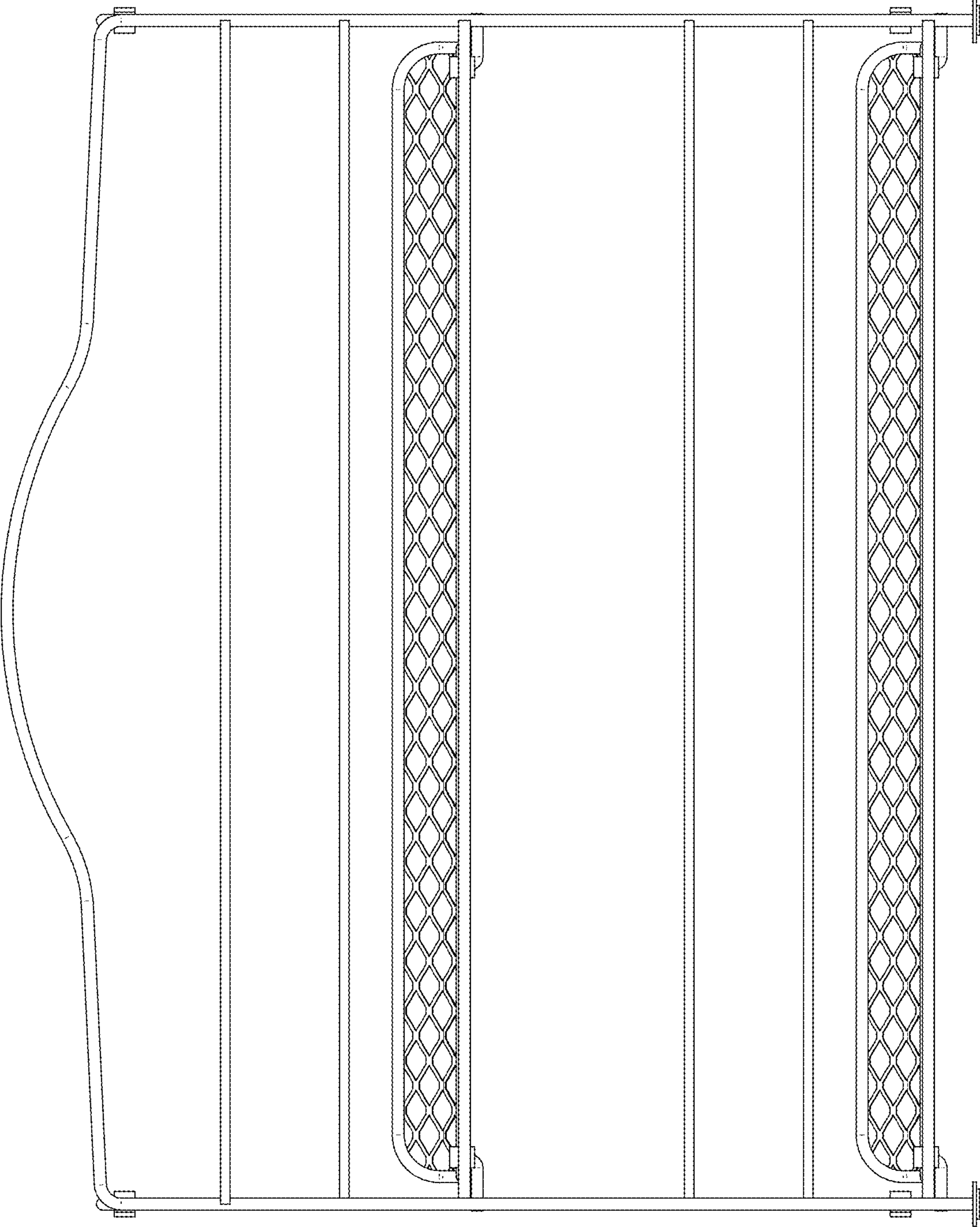


FIG. 4

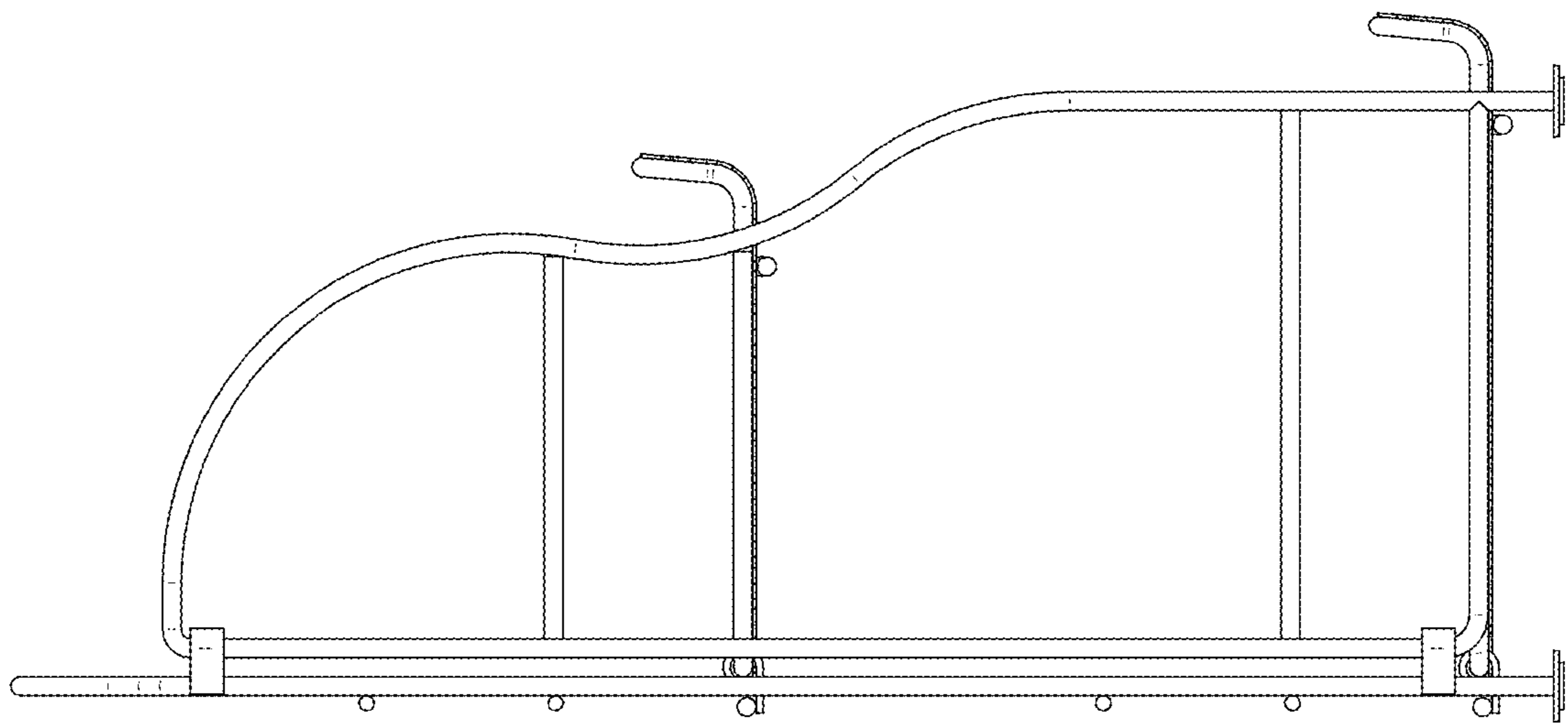


FIG. 5

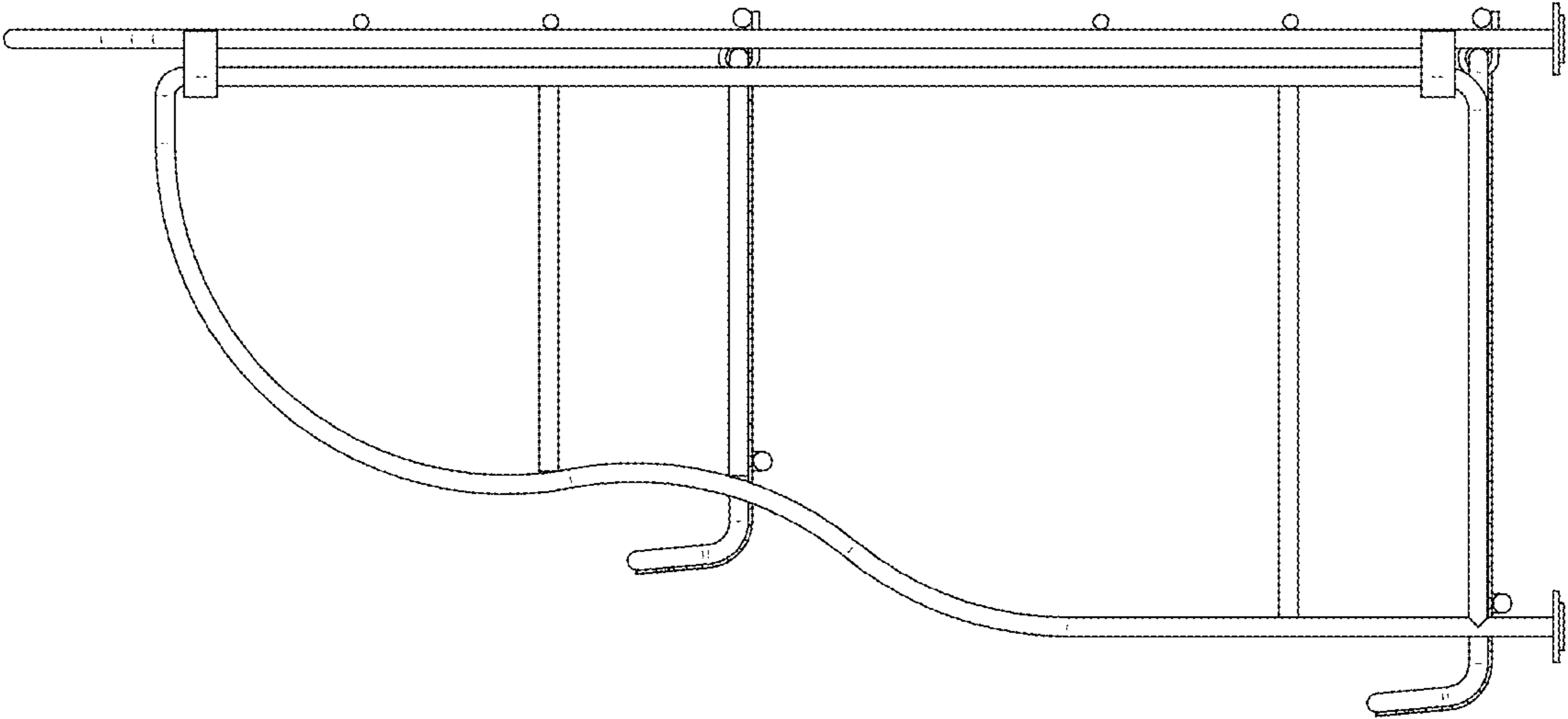


FIG. 6

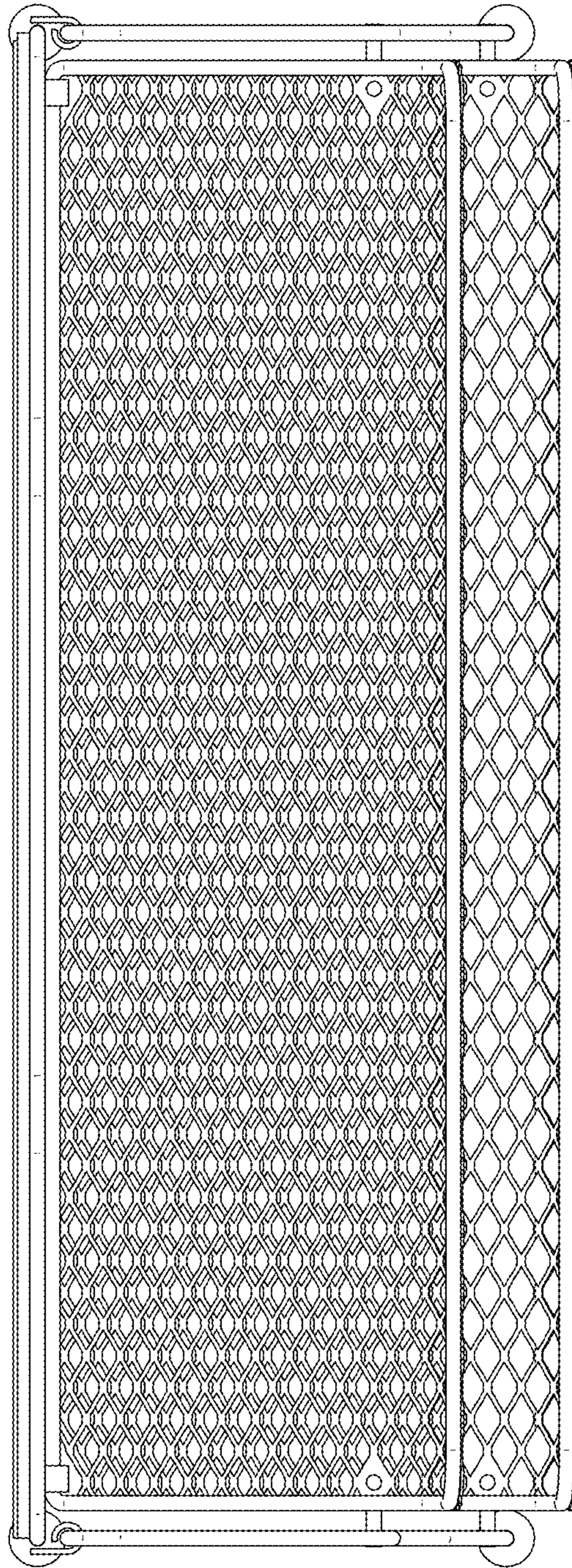


FIG. 7

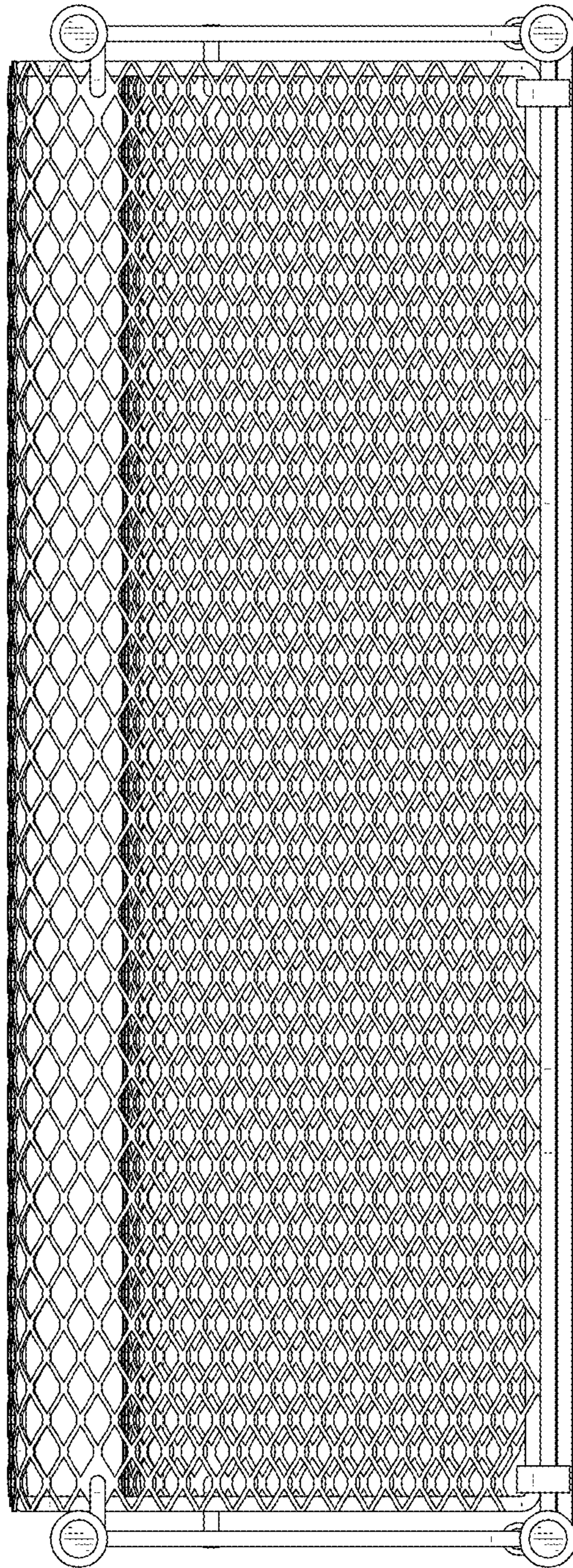


FIG. 8

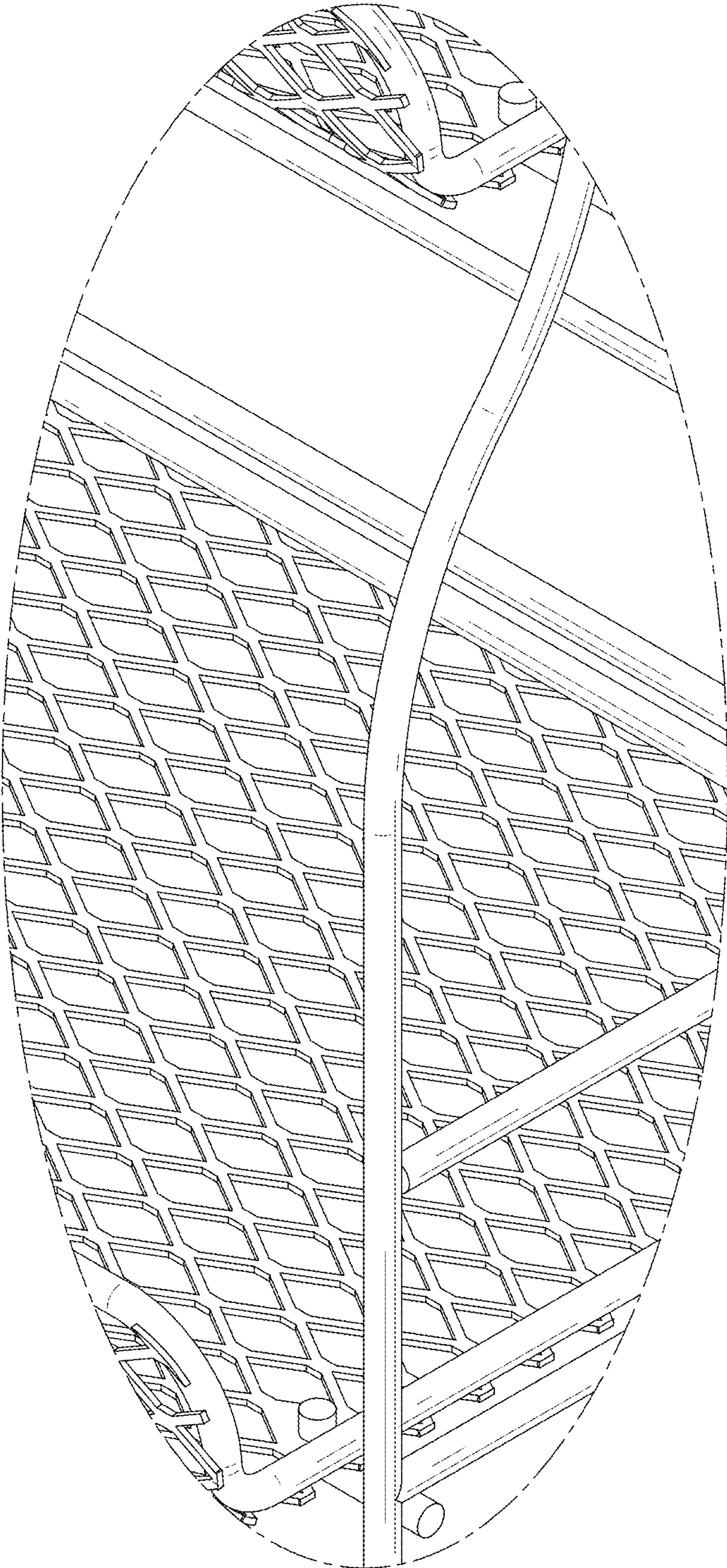


FIG. 9