



US00D950280S

(12) **United States Design Patent** (10) **Patent No.:** **US D950,280 S**
Li (45) **Date of Patent:** **** May 3, 2022**

(54) **WATER BOTTLE ORGANIZER**

(71) Applicant: **Kai Li**, Shaoyang (CN)

(72) Inventor: **Kai Li**, Shaoyang (CN)

(**) Term: **15 Years**

(21) Appl. No.: **29/778,616**

(22) Filed: **Apr. 14, 2021**

(51) **LOC (13) Cl.** **06-06**

(52) **U.S. Cl.**
USPC **D6/675.2**

(58) **Field of Classification Search**
USPC D3/304-315; D6/672, 675, 675.1, 675.2,
D6/675.3, 683.1; D19/92, 100;
D7/600.1, 600.4
CPC .. A47F 5/00; A47F 5/0056; A47F 5/13; A47F
7/00; A47F 5/01; B65D 1/38; B65D 1/22;
A47J 47/16; A47B 81/00
See application file for complete search history.

D699,986 S * 2/2014 Tsai D6/675.4
D705,618 S 5/2014 Reid, Jr.
D737,105 S * 8/2015 Tsai D7/601
D739,190 S 9/2015 Kasza et al.
D781,671 S 3/2017 Berger
D786,029 S 5/2017 Pannell
D789,163 S 6/2017 Nemoto
D804,225 S * 12/2017 Bian D6/675.5
10,051,979 B2 * 8/2018 Kuo A47B 55/02
D834,900 S 12/2018 Kasza
D859,932 S 9/2019 Greenwood
D883,743 S 5/2020 Rauch
D890,554 S * 7/2020 Nie D6/675.4
D911,084 S * 2/2021 Sabounjian D6/675.2
D926,489 S * 8/2021 Sabounjian D6/512

* cited by examiner

Primary Examiner — Kelley A Donnelly
(74) *Attorney, Agent, or Firm* — Xiaofang Zhong; Law
Office of Xiaofang Zhong, PLLC

(57) **CLAIM**

The ornamental design for a water bottle organizer, as shown
and described.

DESCRIPTION

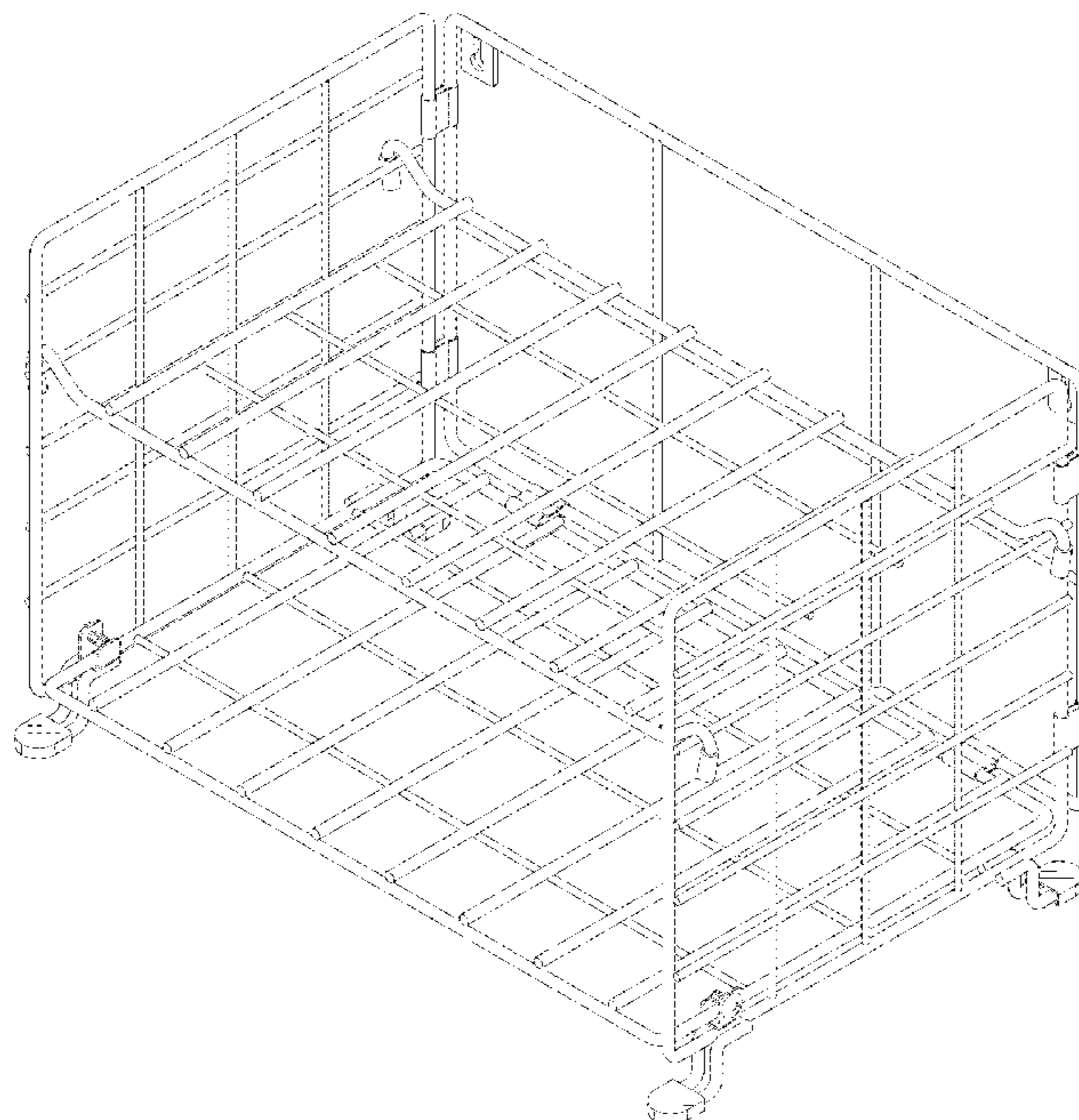
FIG. 1 is a perspective view of a water bottle organizer
showing my new design;
FIG. 2 is a front elevational view thereof;
FIG. 3 is a back elevational view thereof;
FIG. 4 is a right-side elevational view thereof;
FIG. 5 is a left-side elevational view thereof;
FIG. 6 is a top plan view thereof;
FIG. 7 is a bottom plan view thereof; and,
FIG. 8 is a perspective view of the water bottle organizer
with water bottles loaded on the water bottle organizer.
The broken lines in the drawings depict portions of the water
bottle organizer that form no part of the claimed design.

1 Claim, 8 Drawing Sheets

(56) **References Cited**

U.S. PATENT DOCUMENTS

D181,322 S * 10/1957 Streich D6/675.5
D185,660 S * 7/1959 Crookes D6/515
D278,196 S * 4/1985 Koves D6/675.2
D317,094 S * 5/1991 Weinberg D6/675.2
D321,609 S * 11/1991 Dardashti D6/675.2
D374,358 S 10/1996 Frenette
5,823,100 A * 10/1998 Wienhold F24C 15/16
99/449
D446,409 S * 8/2001 Walters-Dowding D6/675.2
D528,876 S 9/2006 King
D543,078 S 5/2007 Davalos
D544,250 S * 6/2007 Daugherty D6/678.3
D568,635 S * 5/2008 Klein D6/675.2
D697,380 S 1/2014 Lesbirel



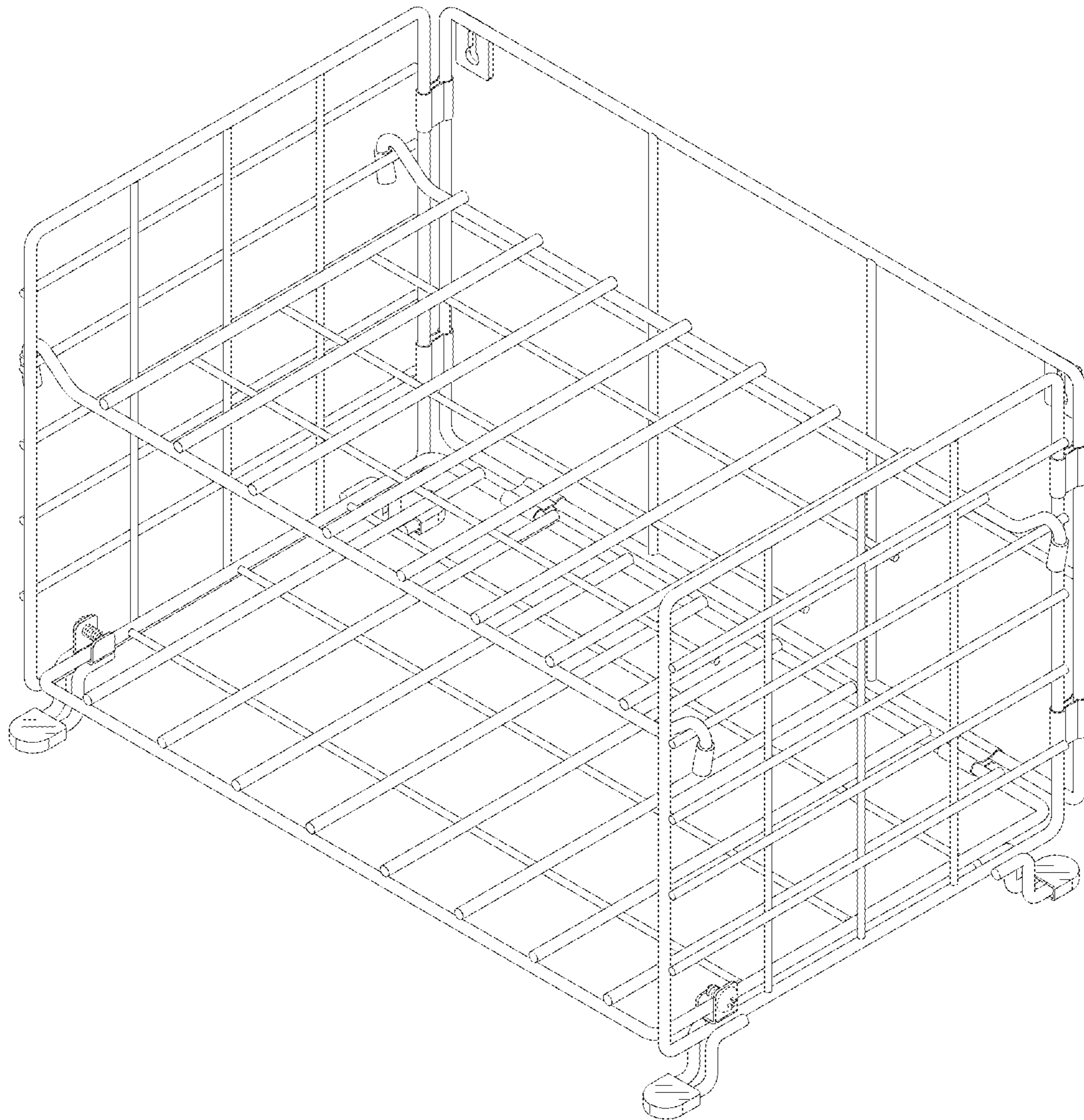


FIG. 1

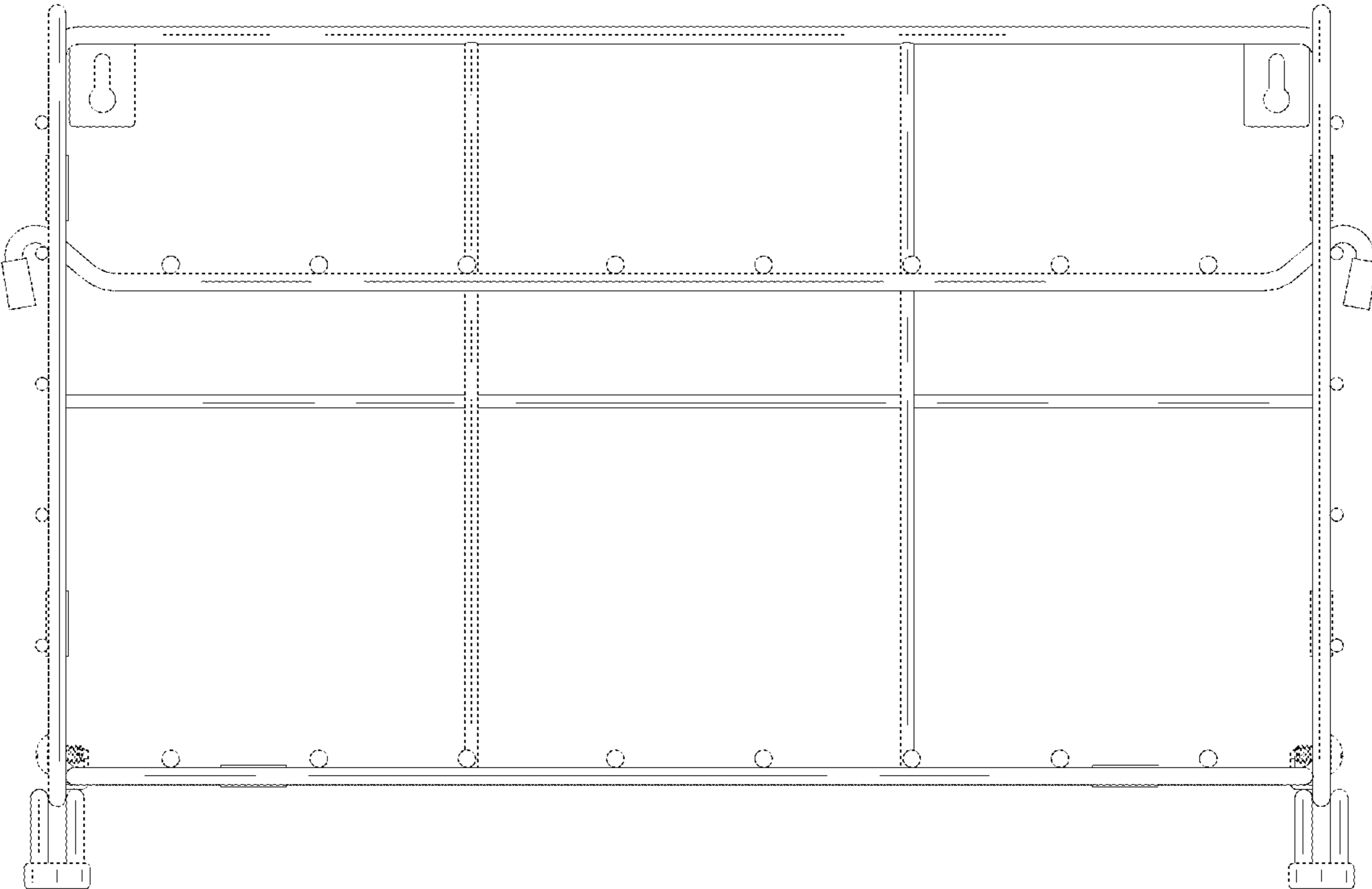


FIG. 2

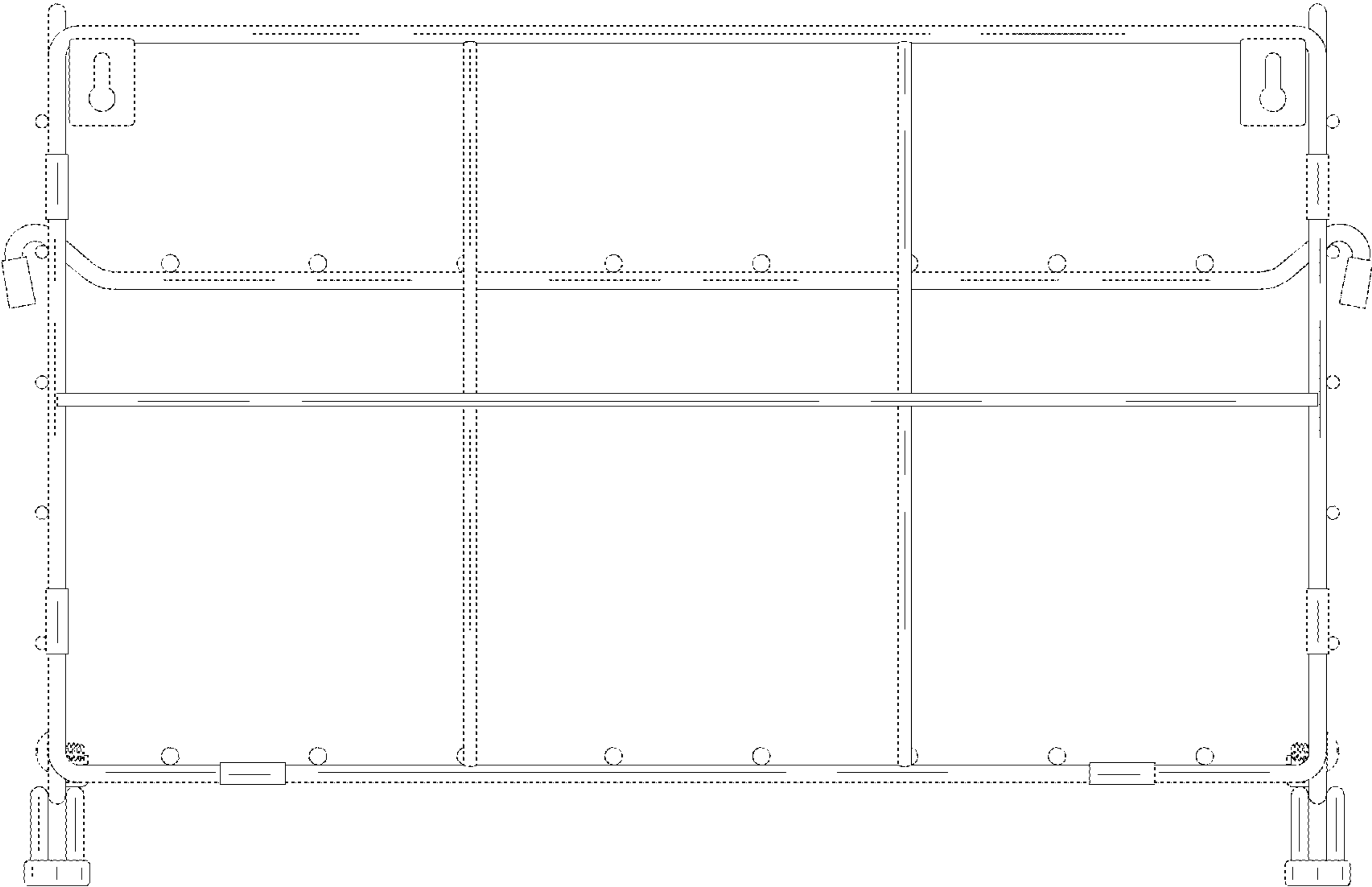


FIG. 3

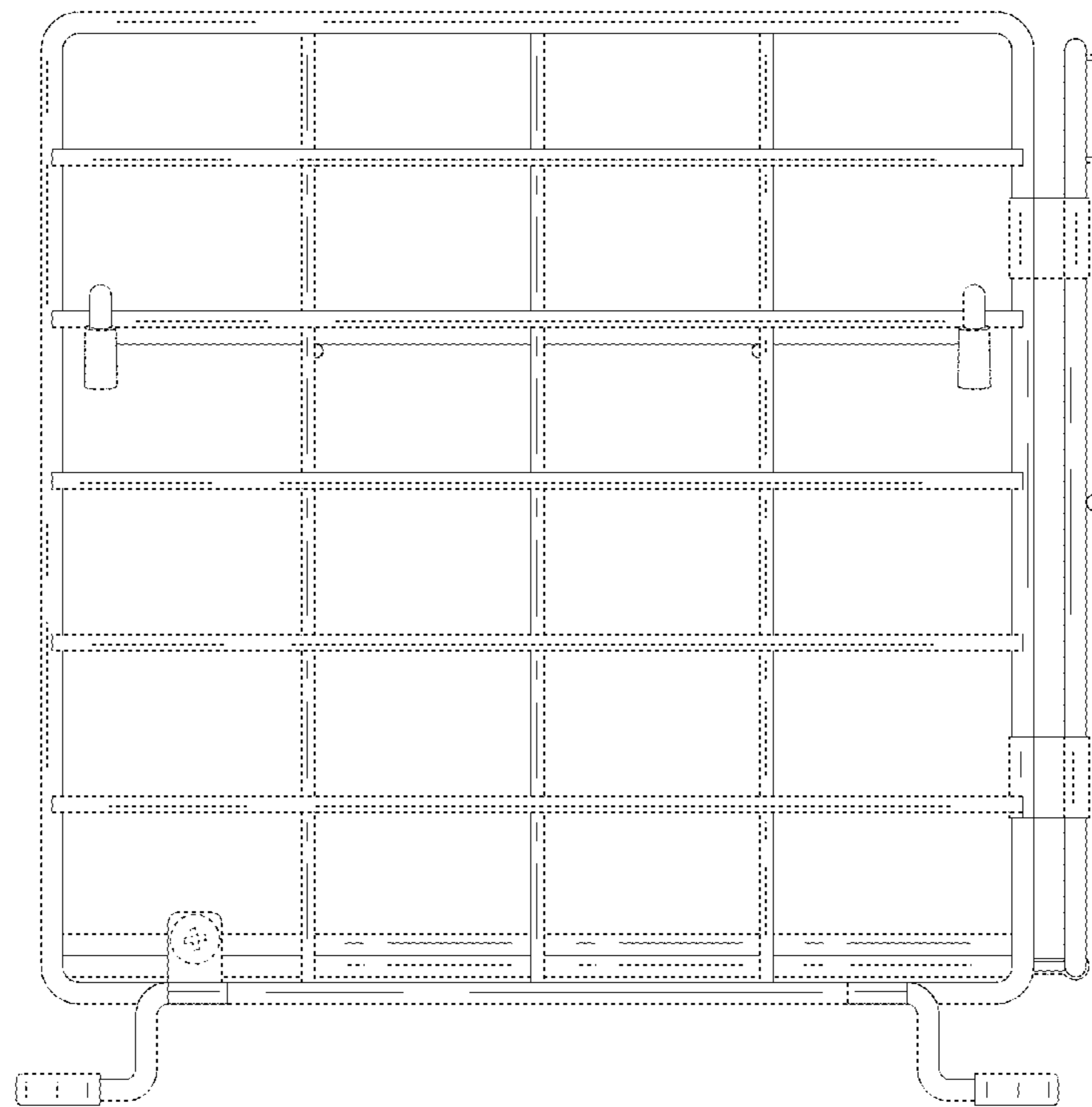


FIG. 4

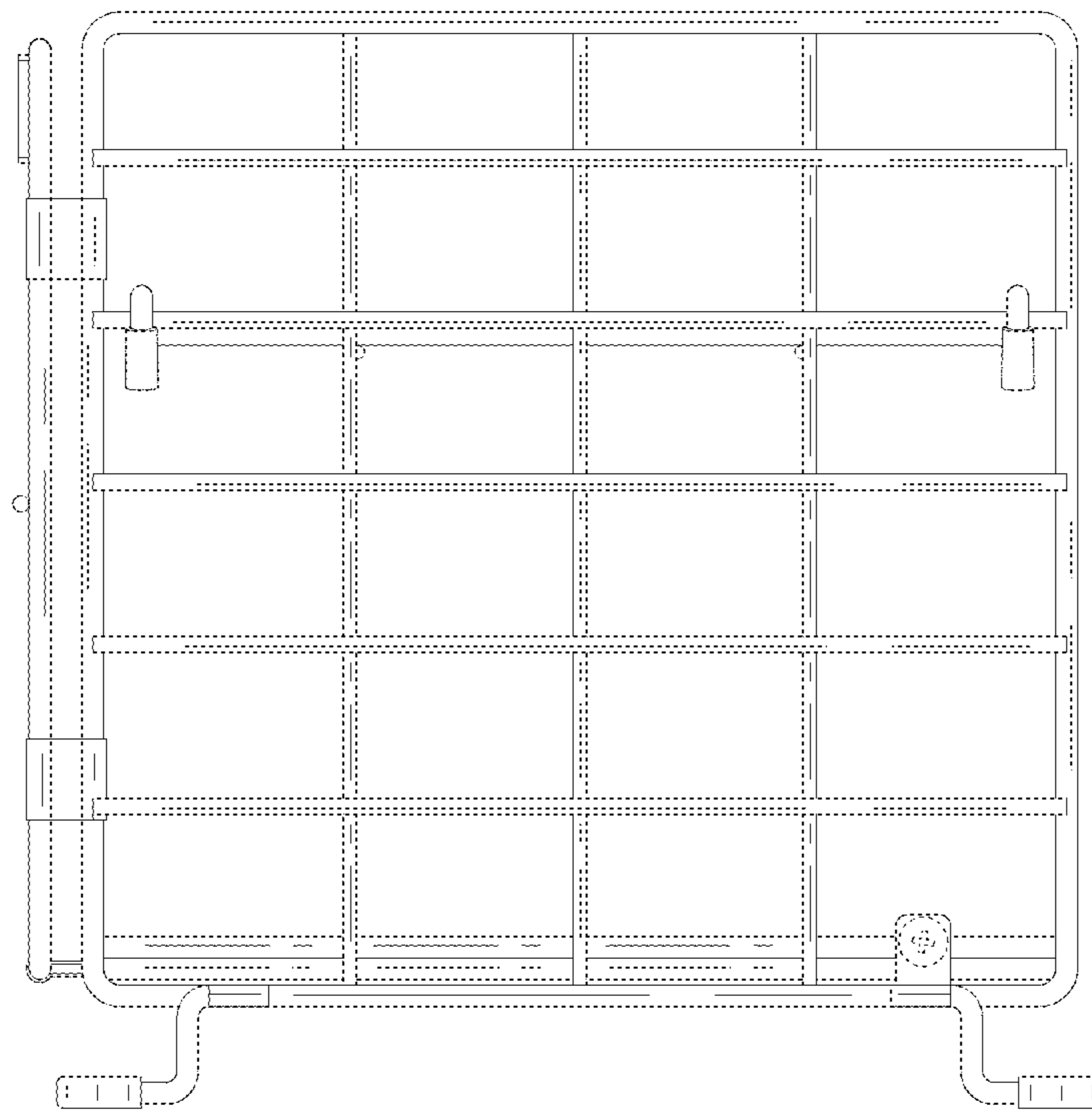


FIG. 5

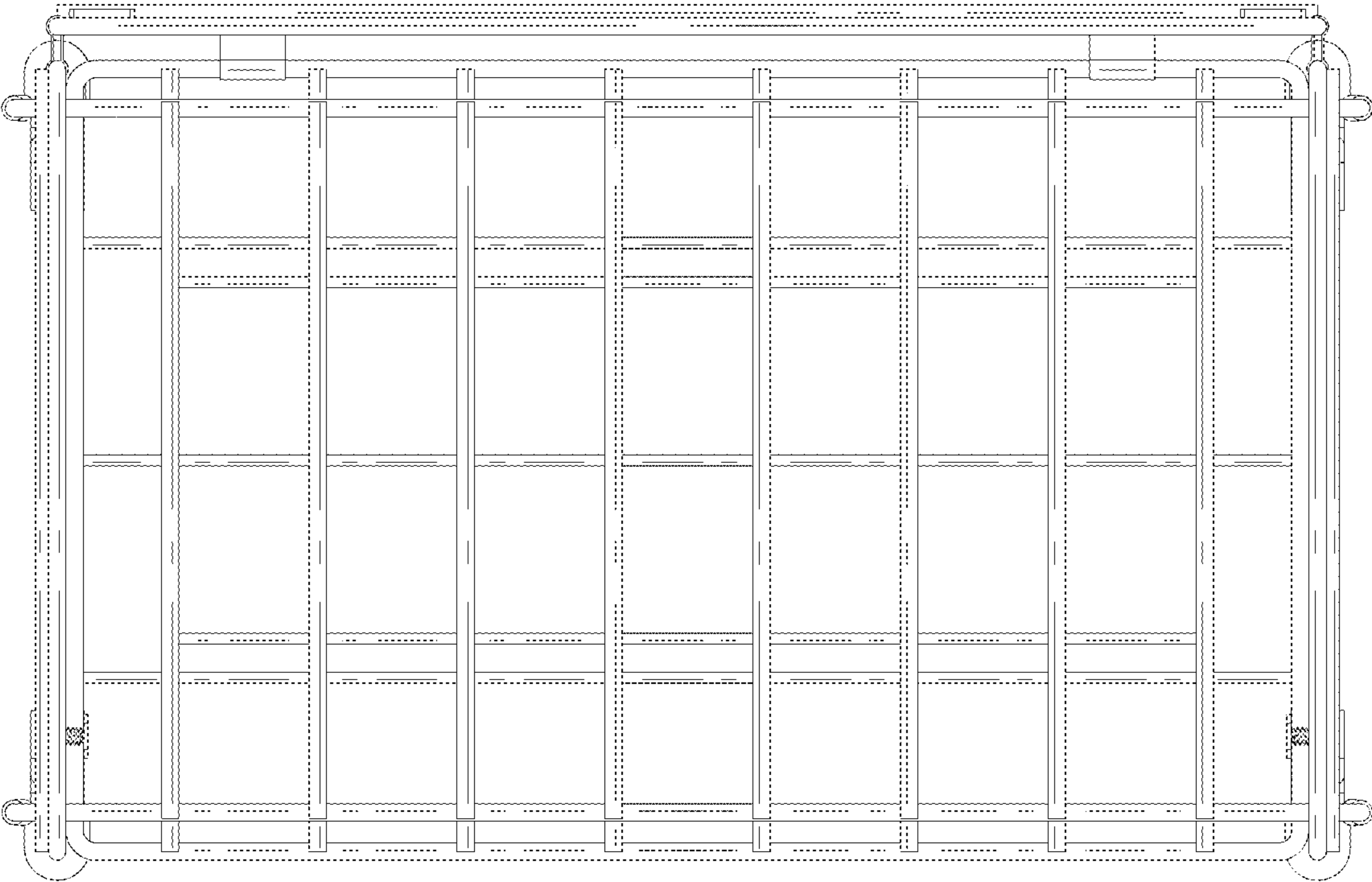


FIG. 6

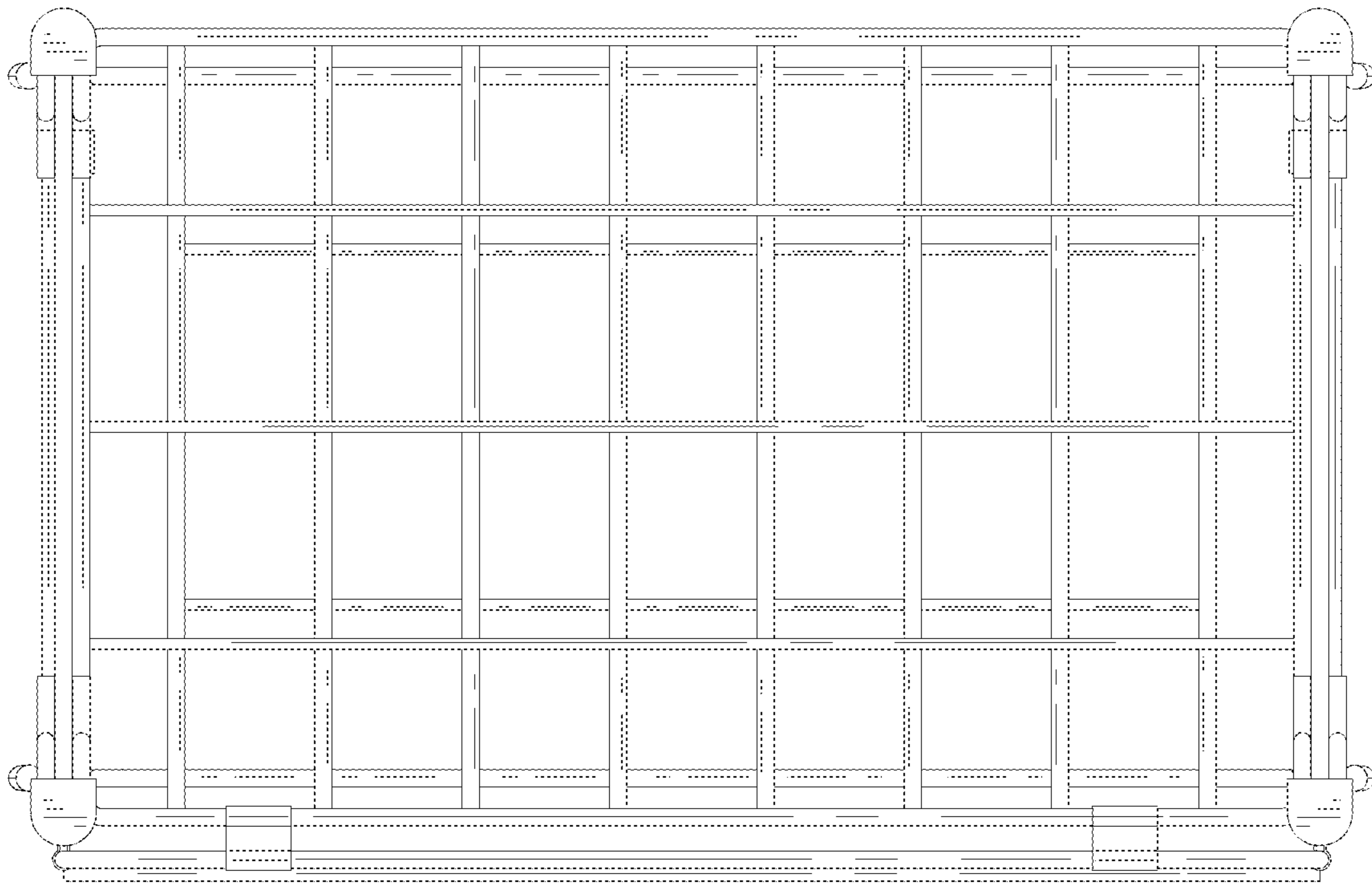


FIG. 7

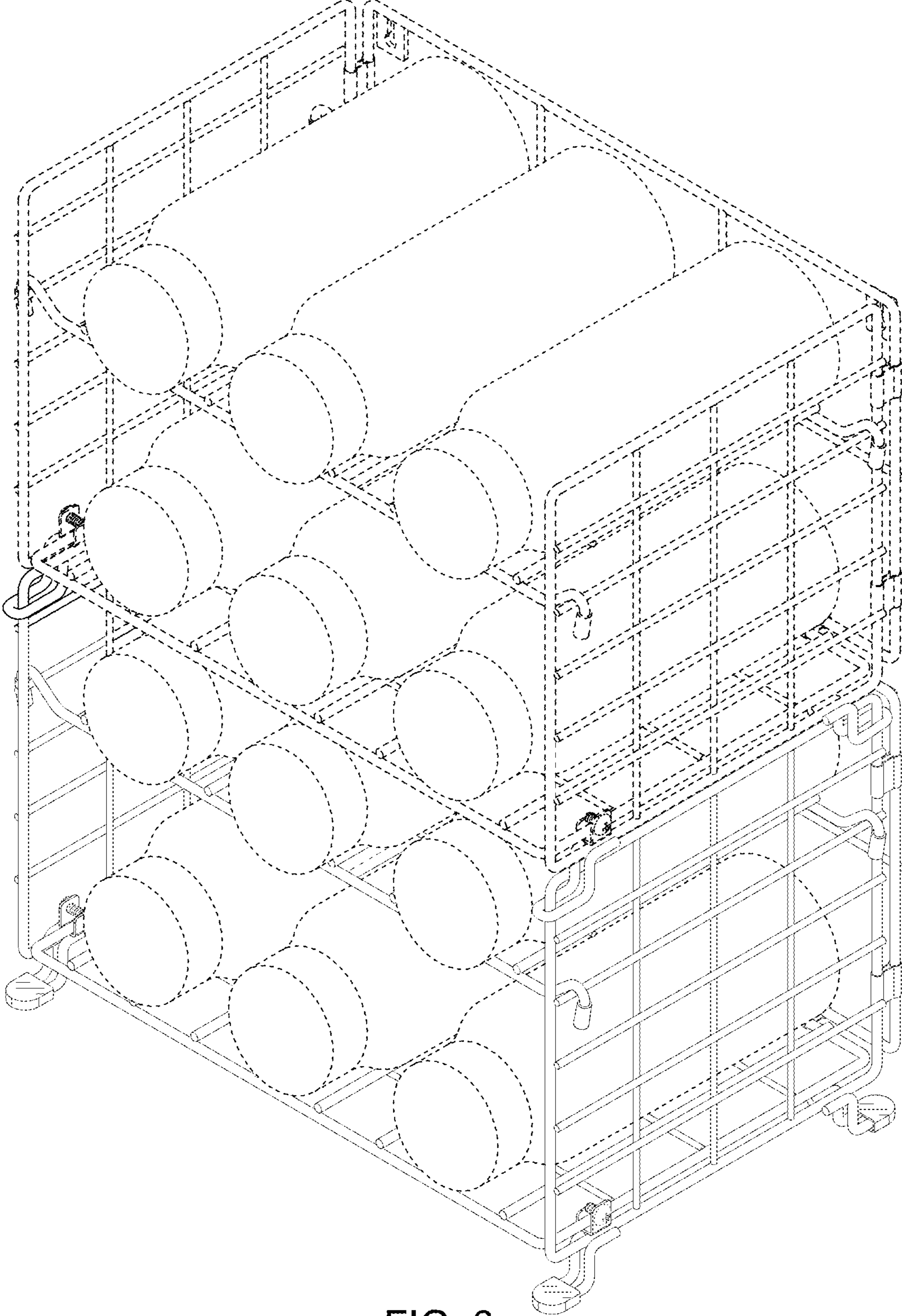


FIG. 8