

US00D950275S

(12) **United States Design Patent** (10) **Patent No.:** **US D950,275 S**  
**Cousineau et al.** (45) **Date of Patent:** **\*\* May 3, 2022**

(54) **BACK SUPPORT**

CN 304124110 S 5/2017  
DE 202015008090 U1 12/2015  
EP 2617326 B1 10/2014

(71) Applicant: **FKA Distributing Co., LLC**,  
Commerce Township, MI (US)

**OTHER PUBLICATIONS**

(72) Inventors: **Tiziano Niccolo Giuseppe Cousineau**,  
Markham (CA); **Chaunta Johns**, West  
Bloomfield, MI (US); **Amanda**  
**Beuckelaere**, Royal Oak, MI (US)

Cool Vent Cushion Mesh Back Lumbar Support Office Home Car  
Seat Chair Truck Seat, from walmart.com, Retrieved Date: Feb. 10,  
2022, p. 1, from [\(73\) Assignee: \*\*FKA Distributing Co., LLC\*\*,  
Commerce Township, MI \(US\)](https://www.walmart.com/ip/Cool-Vent-Cushion-Mesh-Back-Lumbar-Support-Office-Home-Car-Seat-Chair-Truck-Seat/406691516?wmlspartner=wlpa&selectedSellerId=16214&&adid=22222222227324288408&w10=&w11=g&w12=c&w13=472245526747&w14=pla-848779416455&w15=9059726&w16=&w17=&w18=&w19=pla&w10=120798572&w11=online&w12=406691516&veh=sem&gclid=EAIaIqobChMI_M6dt-L29QIVj4v1Ch3m-wrdEAQYCiABEglf4fD_BwE&gclsrc=aw.ds(Year: 2022).*</a></p></div>
<div data-bbox=)

(\*\*) Term: **15 Years**

\* cited by examiner

(21) Appl. No.: **29/710,905**

(22) Filed: **Oct. 28, 2019**

*Primary Examiner* — Mimoso De

(51) **LOC (13) Cl.** ..... **06-09**

(74) *Attorney, Agent, or Firm* — Brooks Kushman P.C.

(52) **U.S. Cl.**

USPC ..... **D6/601**

(57) **CLAIM**

(58) **Field of Classification Search**

USPC ..... D6/601, 716, 716.4  
CPC .. A47C 7/021; A47C 7/40; A47C 7/42; A47C  
7/44; A47C 7/46; A47C 7/425; A47C  
16/005; A47C 7/74; A47C 7/742; A47G  
9/109

The ornamental design for a back support, as shown and  
described.

See application file for complete search history.

**DESCRIPTION**

(56) **References Cited**

**U.S. PATENT DOCUMENTS**

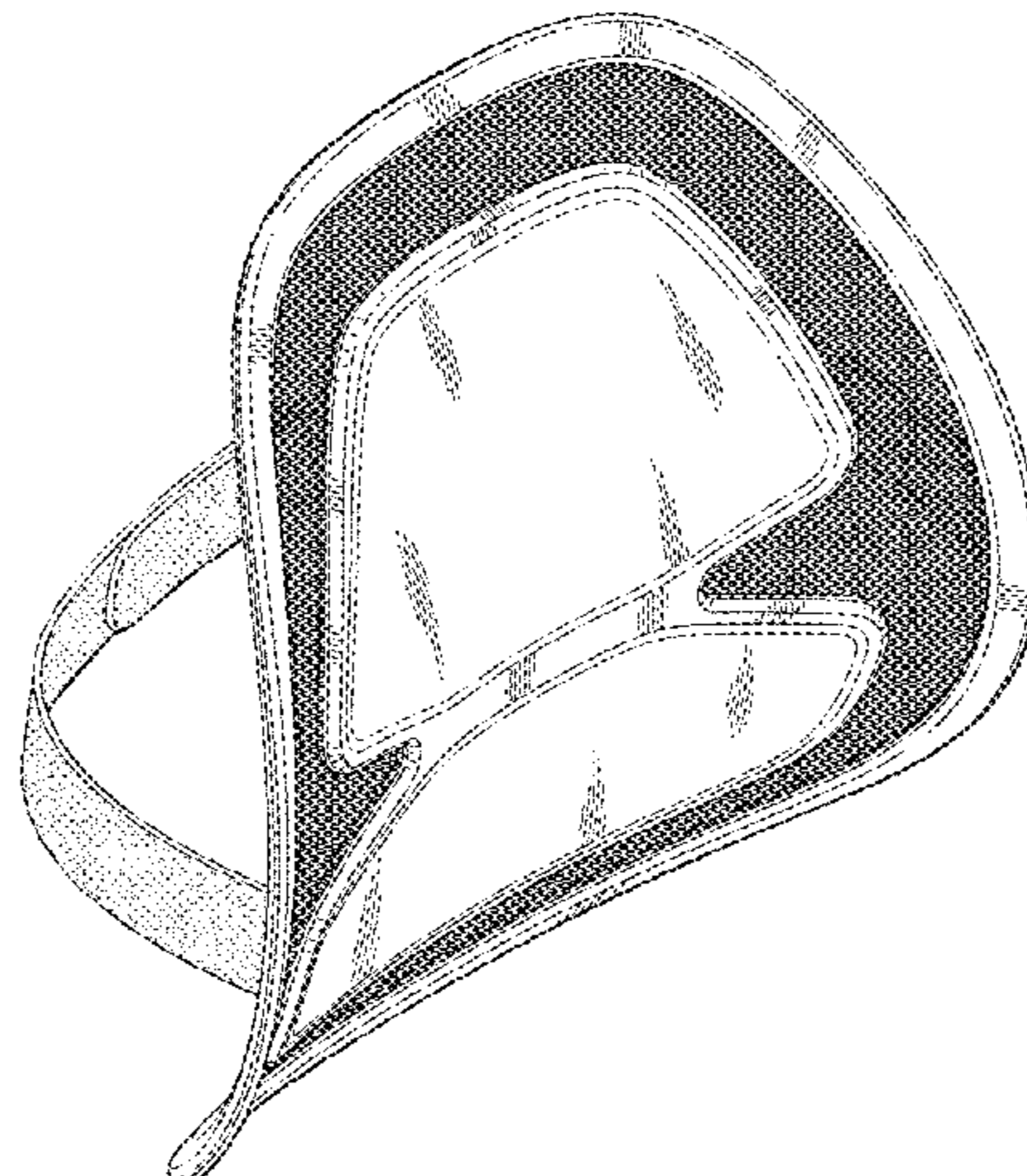
2,804,912 A \* 9/1957 Pickard ..... A47C 7/742  
5/652.1  
D341,053 S \* 11/1993 Hassel ..... D6/601  
D659,252 S \* 5/2012 Batiste ..... D6/601  
8,261,384 B2 9/2012 Batiste et al.  
D833,176 S \* 11/2018 Wang ..... D6/601  
D851,961 S 6/2019 Rifelj

FIG. 1 is a perspective view of a back support according to  
an embodiment;  
FIG. 2 is a right side view of the back support of FIG. 1;  
FIG. 3 is a left side view of the back support of FIG. 1;  
FIG. 4 is a front view of the back support of FIG. 1;  
FIG. 5 is a rear view of the back support of FIG. 1;  
FIG. 6 is a top view of the back support of FIG. 1;  
FIG. 7 is a bottom view of the back support of FIG. 1;  
FIG. 8 is a perspective view of a back support according to  
another embodiment;  
FIG. 9 is a right side view of the back support of FIG. 8;  
FIG. 10 is a left side view of the back support of FIG. 8;  
FIG. 11 is a front view of the back support of FIG. 8;  
FIG. 12 is a rear view of the back support of FIG. 8;  
FIG. 13 is a top view of the back support of FIG. 8; and,  
FIG. 14 is a bottom view of the back support of FIG. 8.

**FOREIGN PATENT DOCUMENTS**

CN 105640186 A 6/2016  
CN 303905069 S 11/2016

(Continued)



The broken lines show portions of the article not claimed  
and form no part of the claimed design.

**1 Claim, 10 Drawing Sheets**

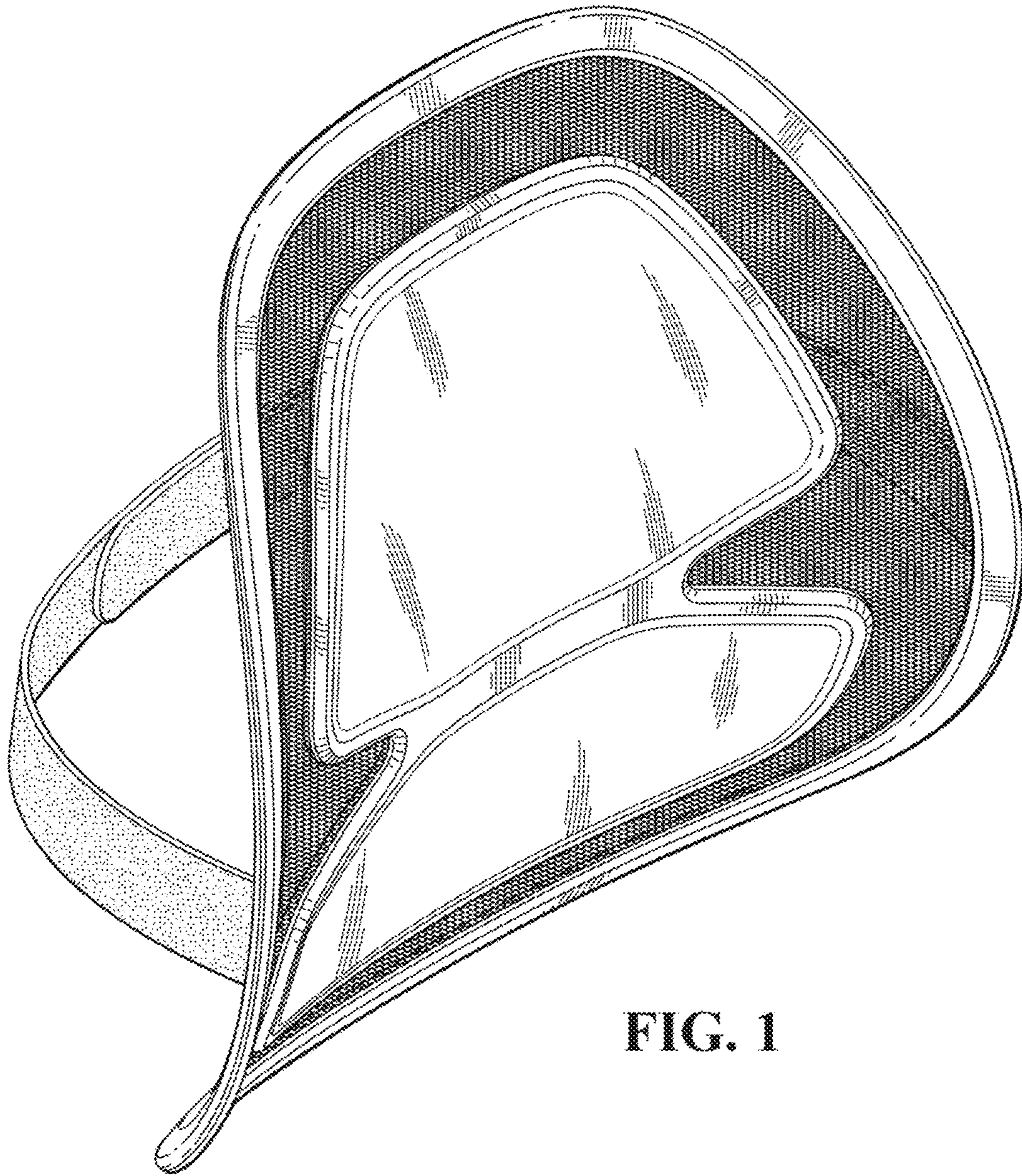


FIG. 1

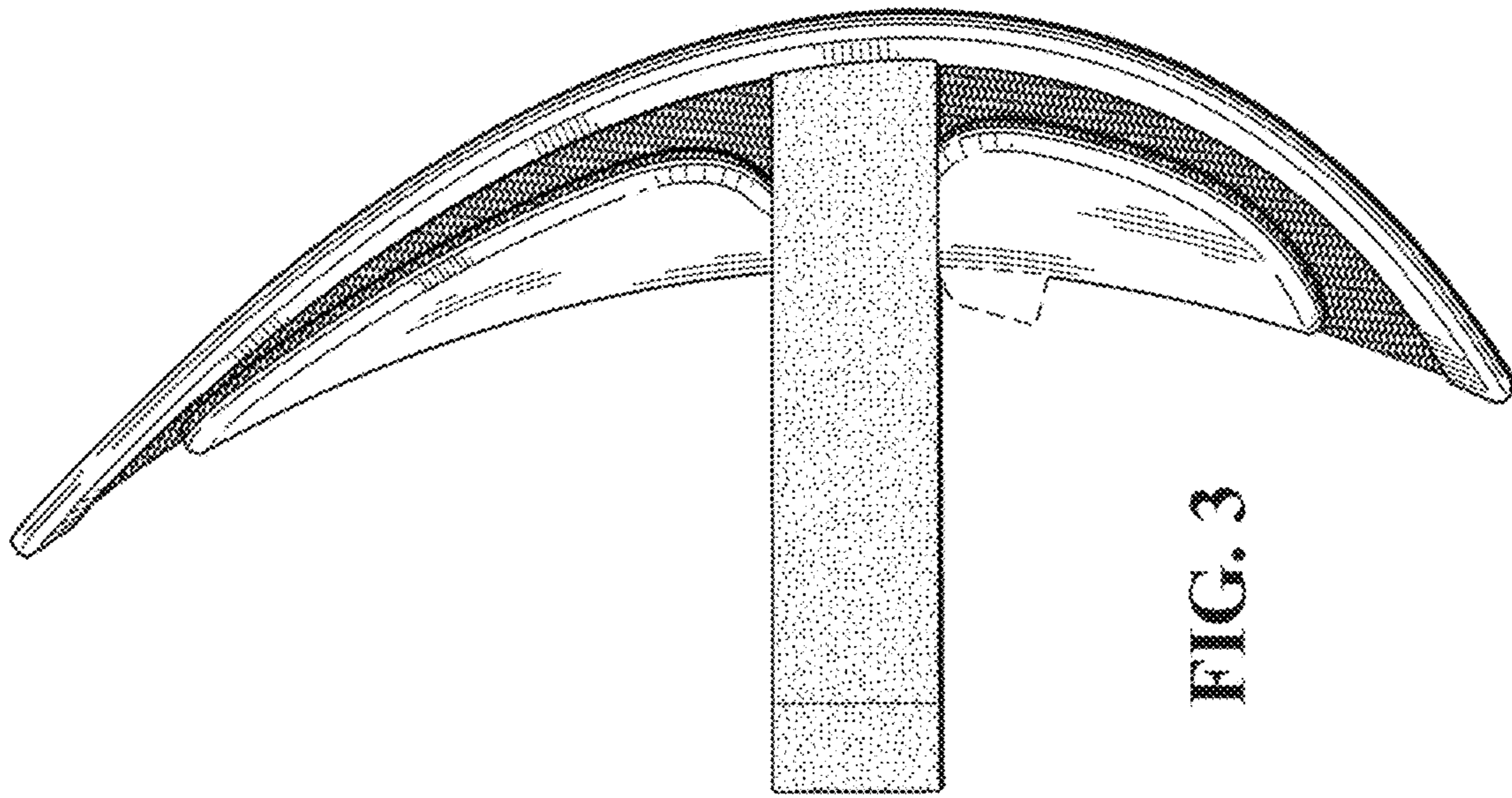


FIG. 3

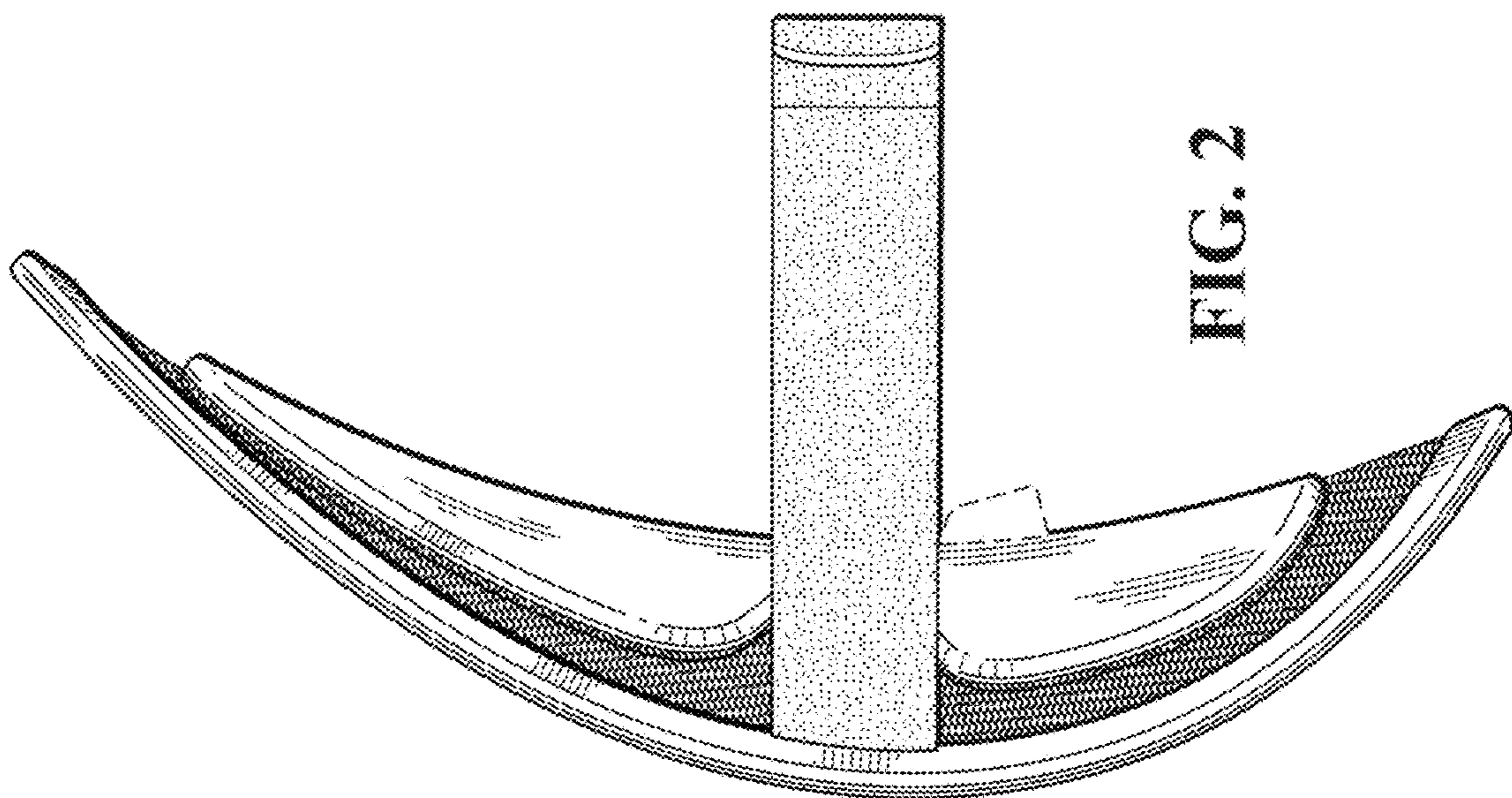


FIG. 2

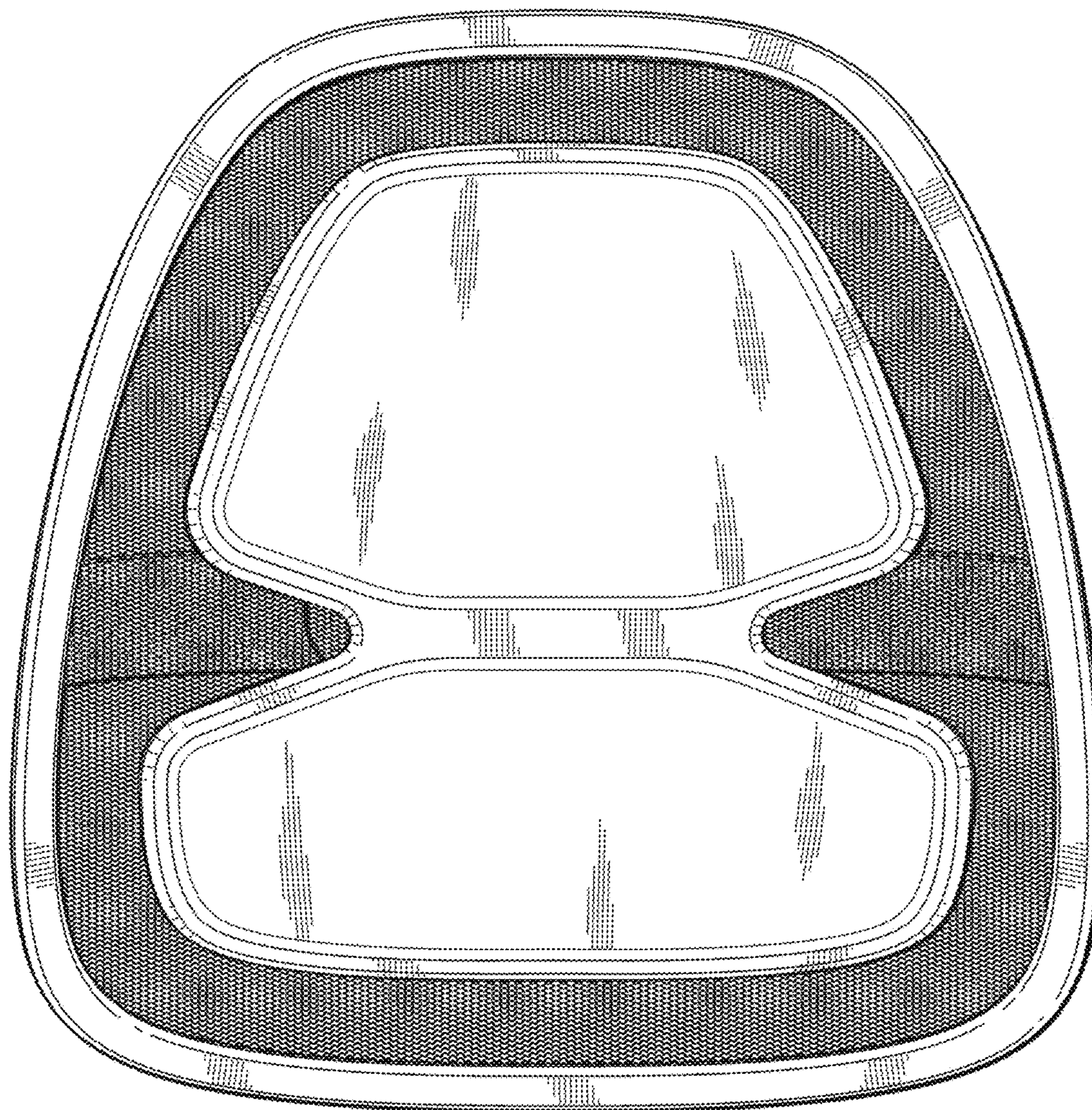


FIG. 4

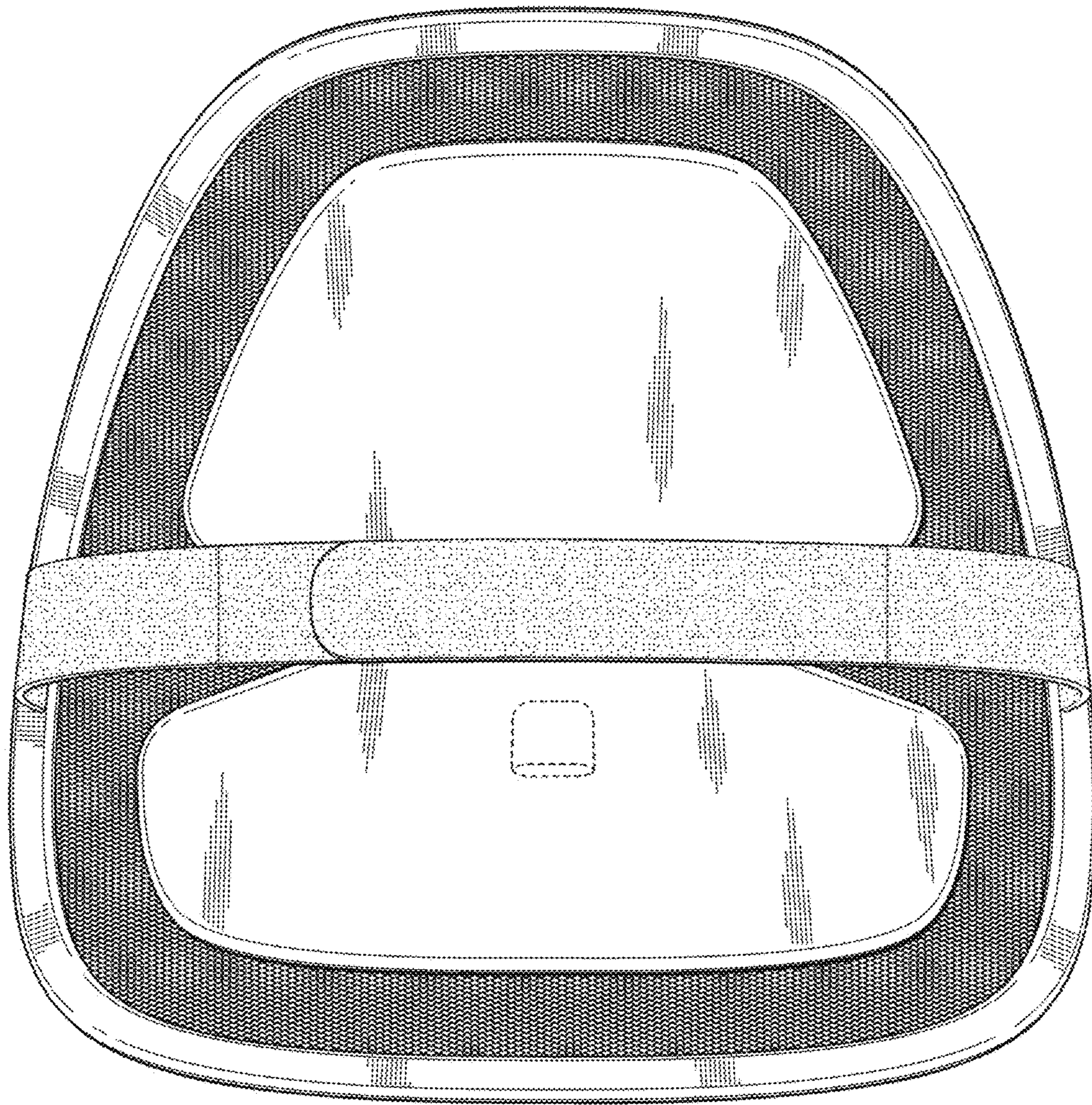


FIG. 5

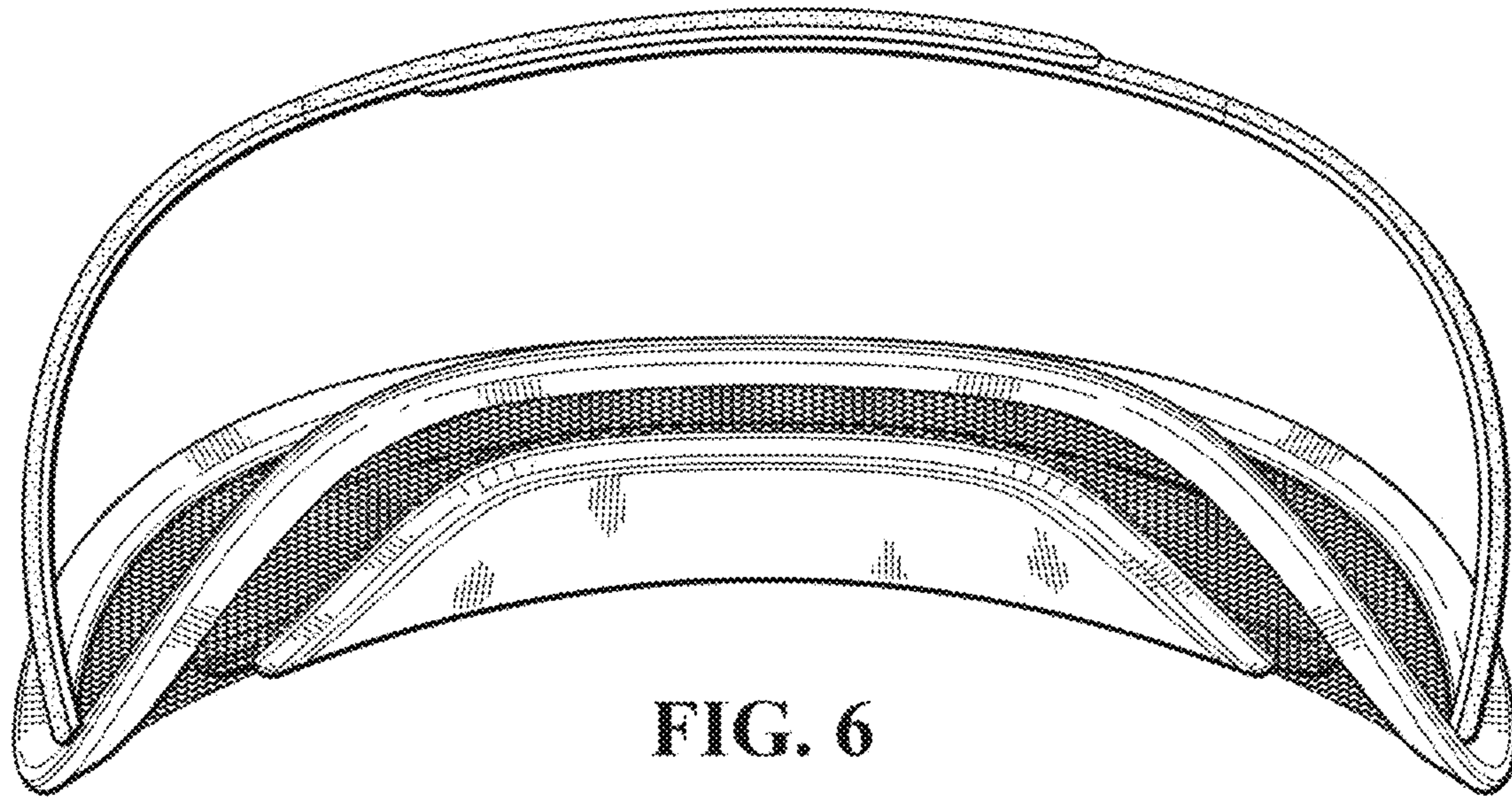


FIG. 6

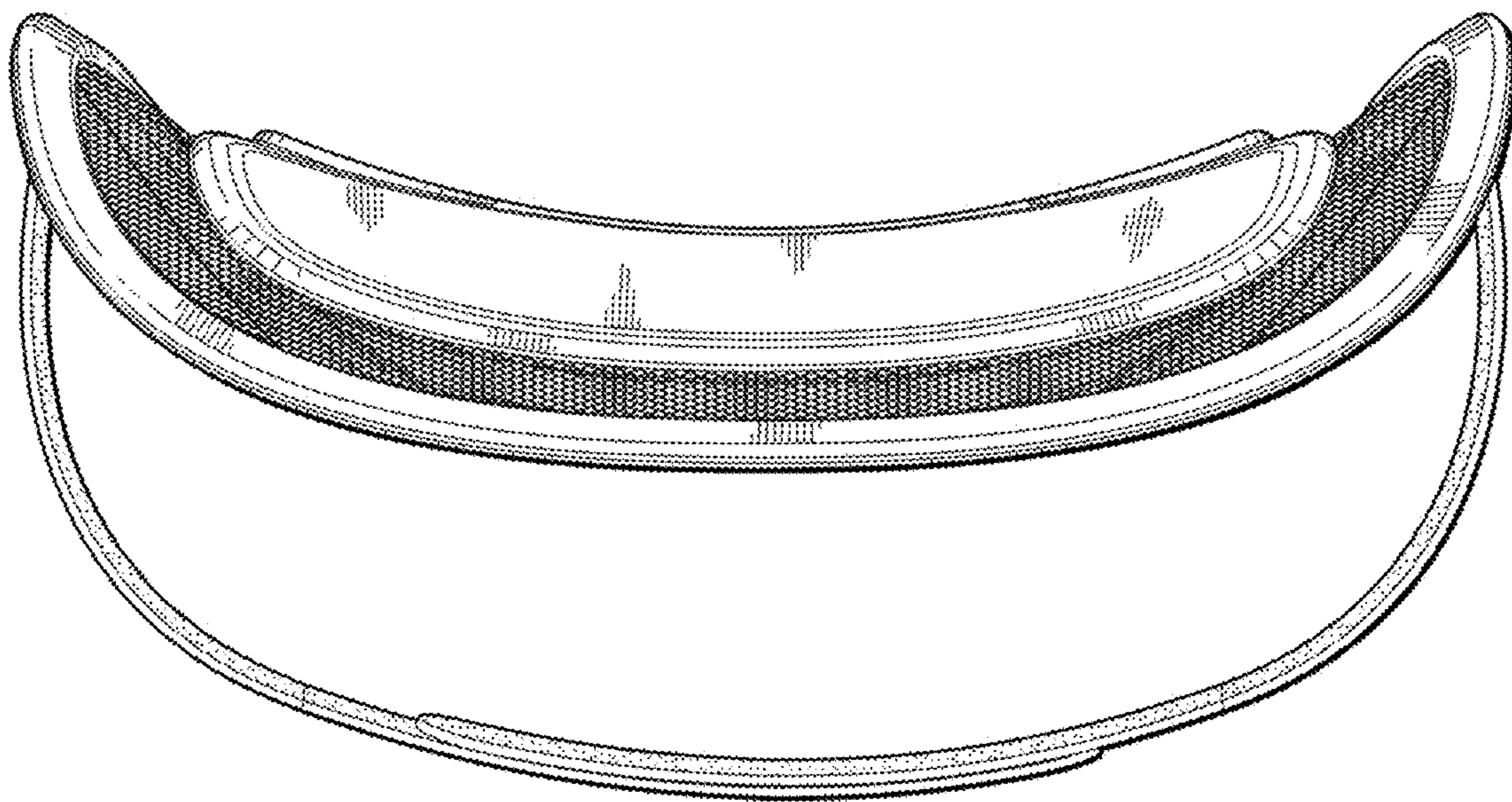


FIG. 7

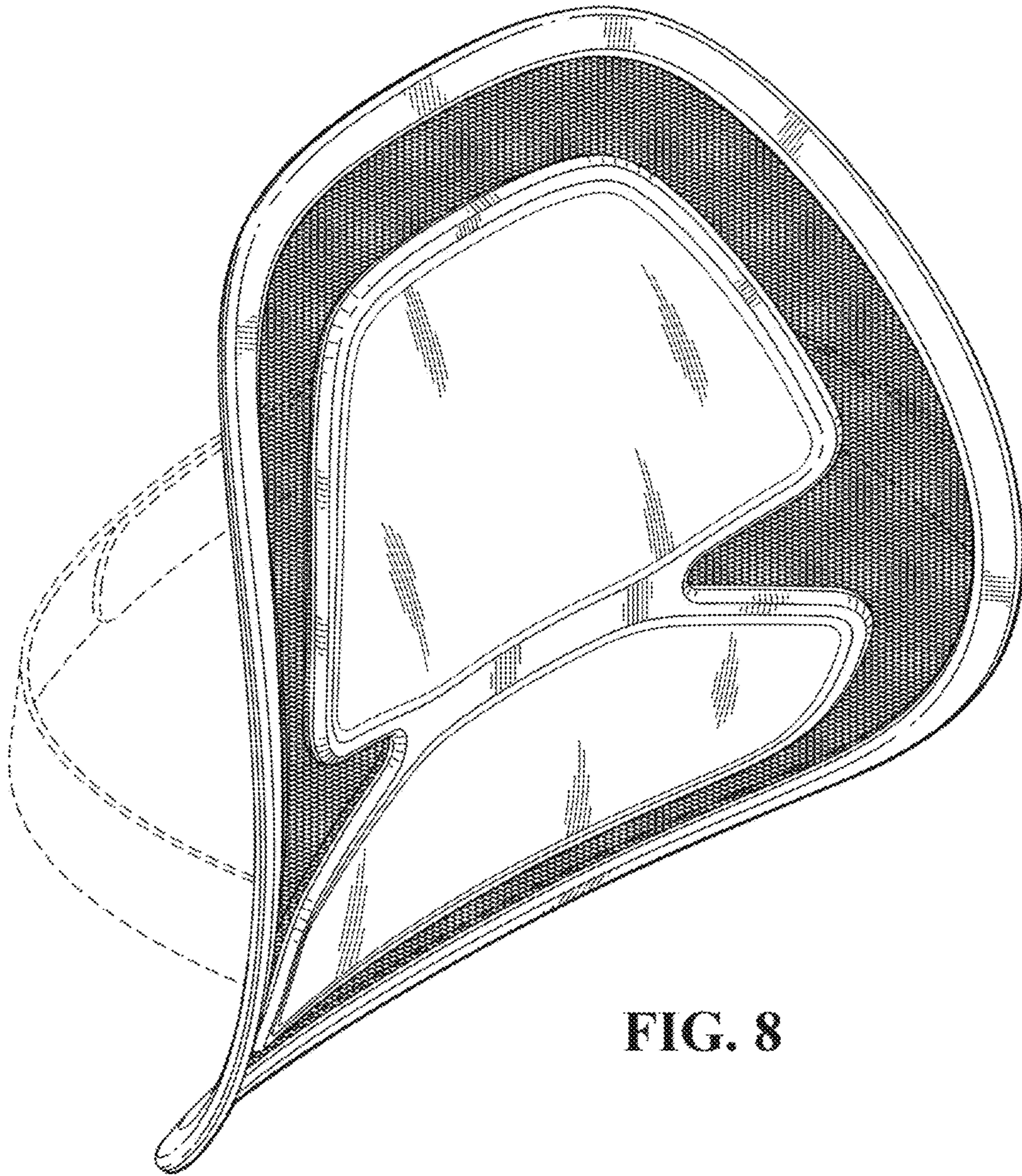


FIG. 8



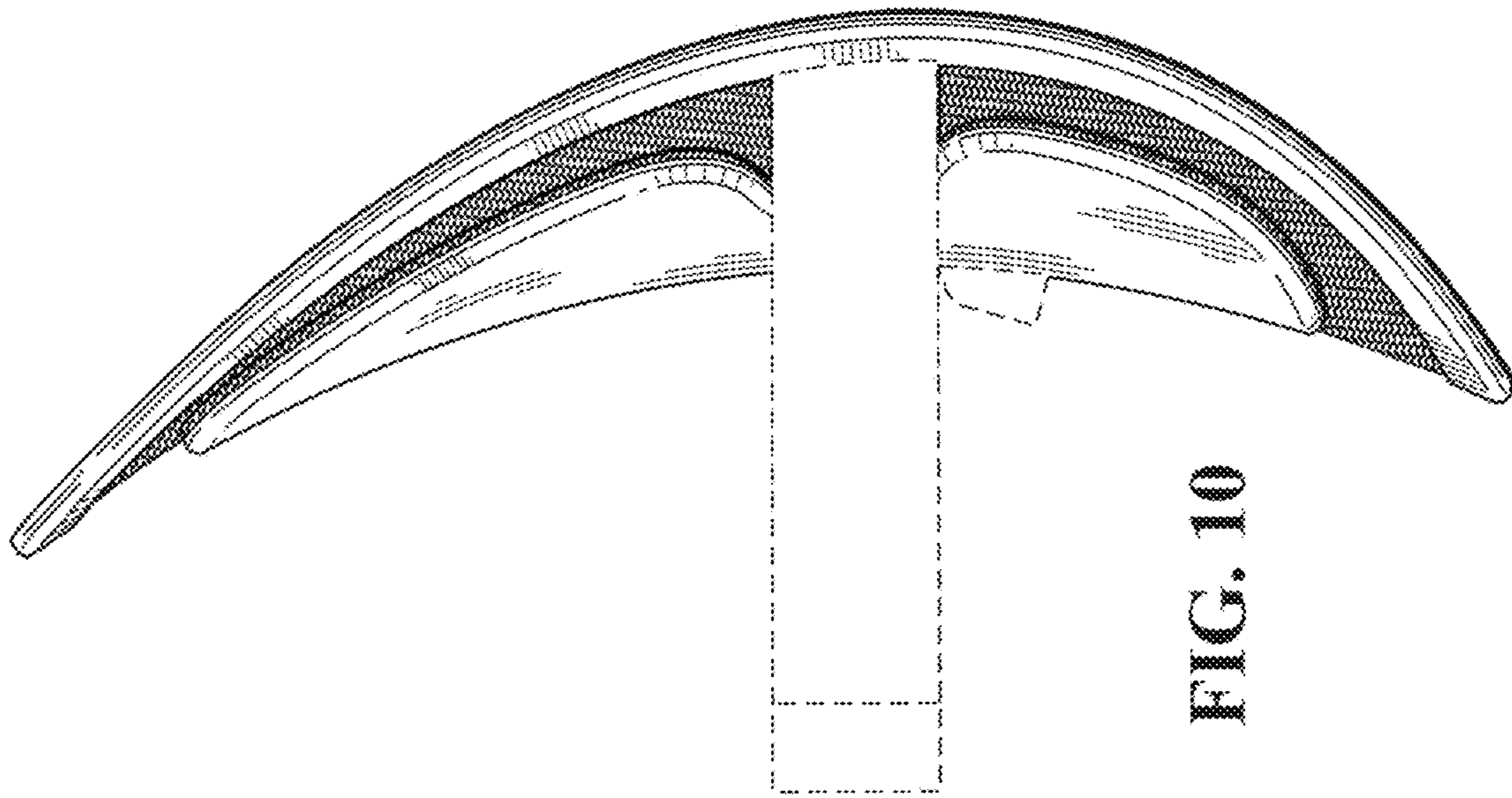


FIG. 10

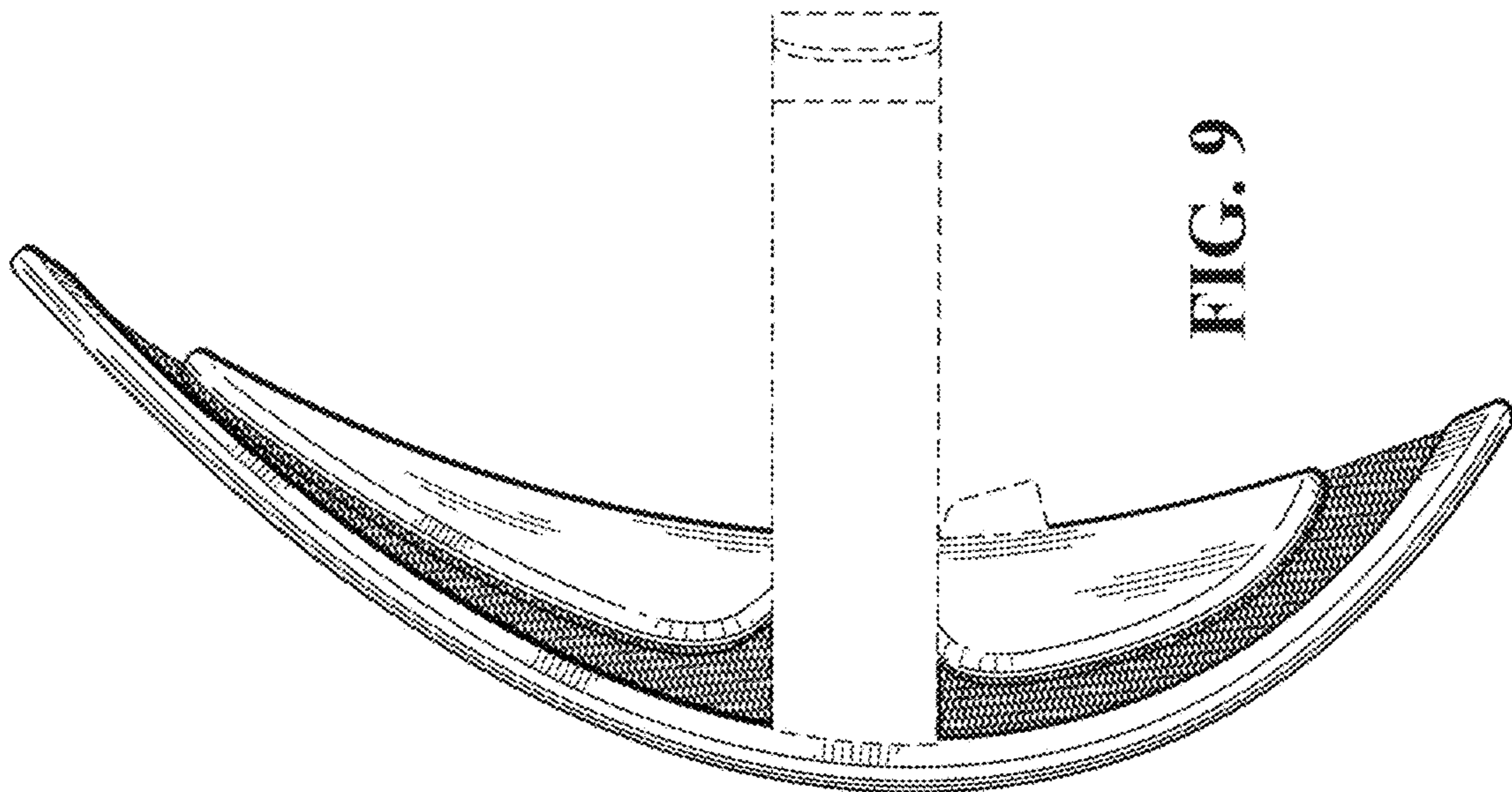


FIG. 9

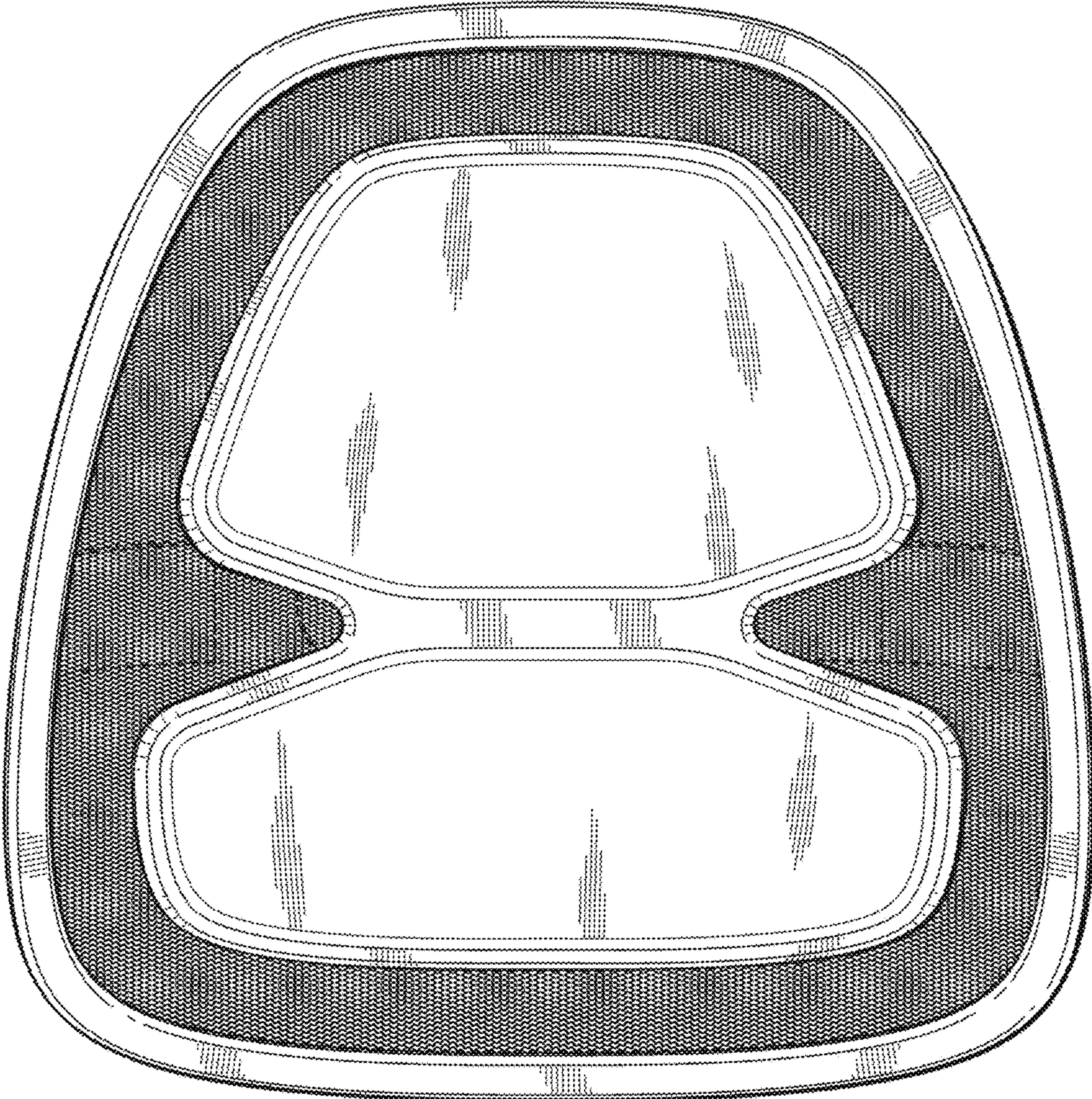


FIG. 11

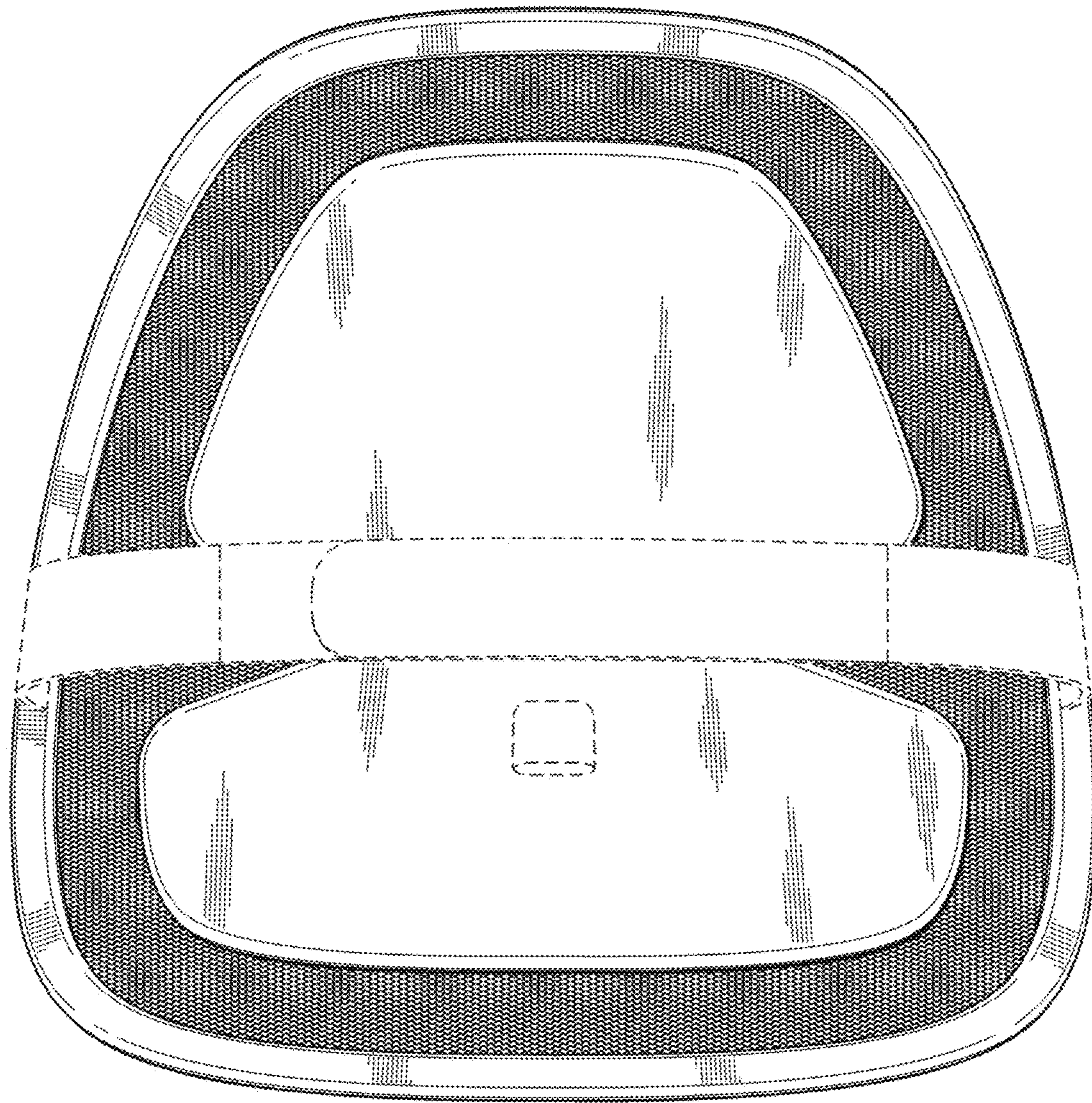


FIG. 12

