



US00D950272S

(12) **United States Design Patent**
Kim et al.

(10) **Patent No.:** **US D950,272 S**

(45) **Date of Patent:** **** May 3, 2022**

(54) **VALANCE**
(71) Applicant: **Hunter Douglas Inc.**, Pearl River, NY (US)
(72) Inventors: **Chunshik Kim**, San Jose, CA (US); **John White**, Roswell, GA (US)
(73) Assignee: **Hunter Douglas Inc.**, Pearl River, NY (US)

(**) Term: **15 Years**

(21) Appl. No.: **29/700,136**

(22) Filed: **Jul. 31, 2019**

(51) **LOC (13) Cl.** **06-10**

(52) **U.S. Cl.**
USPC **D6/580**

(58) **Field of Classification Search**
USPC D6/575-577, 580-581; D13/155; D26/138
CPC A47H 1/14; A47H 1/142; A47H 1/144; A47H 11/04; E06B 9/323; E06B 9/388; E06B 9/42; E06B 9/46; E06B 9/48
See application file for complete search history.

(56) **References Cited**

U.S. PATENT DOCUMENTS

D366,587 S * 1/1996 Underdahl D6/580
D439,460 S * 3/2001 Peterson D6/580
D486,685 S * 2/2004 Marusak D6/577
D497,506 S * 10/2004 Nien D6/580
D500,371 S * 12/2004 Glatz D25/136
D524,452 S * 7/2006 Repp D25/55

D802,974 S * 11/2017 Marsden E06B 9/322 D6/718.26
D899,134 S * 10/2020 Meloche E06B 9/323 D6/579
D934,184 S * 10/2021 Gamble D13/155
D936,388 S * 11/2021 Schwandt D6/580
2009/0032200 A1* 2/2009 Zhang E06B 9/323 160/38
2009/0126881 A1* 5/2009 Chi E06B 9/323 160/368.1
2021/0047884 A1* 2/2021 Kirby E06B 9/322

* cited by examiner

Primary Examiner — Kevin K Rudzinski

Assistant Examiner — Clare Ann Gannon

(74) *Attorney, Agent, or Firm* — Leason Ellis LLP

(57) **CLAIM**

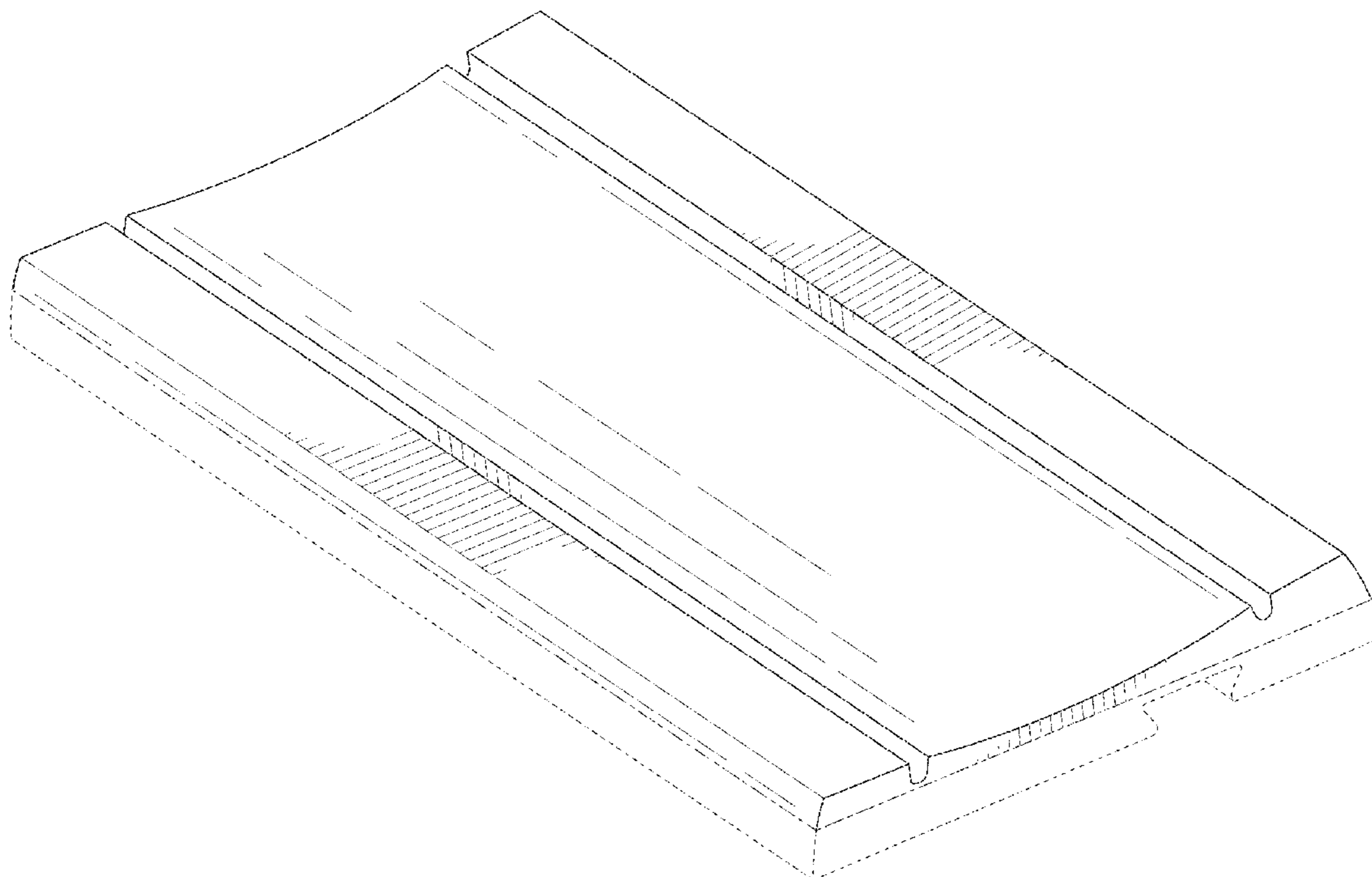
The ornamental design for a valance, as shown and described.

DESCRIPTION

FIG. 1 is a front, bottom perspective view of a valance showing the claimed design;
FIG. 2 is a bottom view of FIG. 1;
FIG. 3 is a top view of FIG. 1;
FIG. 4 is a right side view of FIG. 1;
FIG. 5 is a left side view of FIG. 1;
FIG. 6 is a front view of FIG. 1; and,
FIG. 7 is a rear view of FIG. 1.

The dot-dash broken lines represent the boundary of the claim and form no part of the claim. The remaining broken lines depict portions of the valance that form no part of the claimed design.

1 Claim, 5 Drawing Sheets



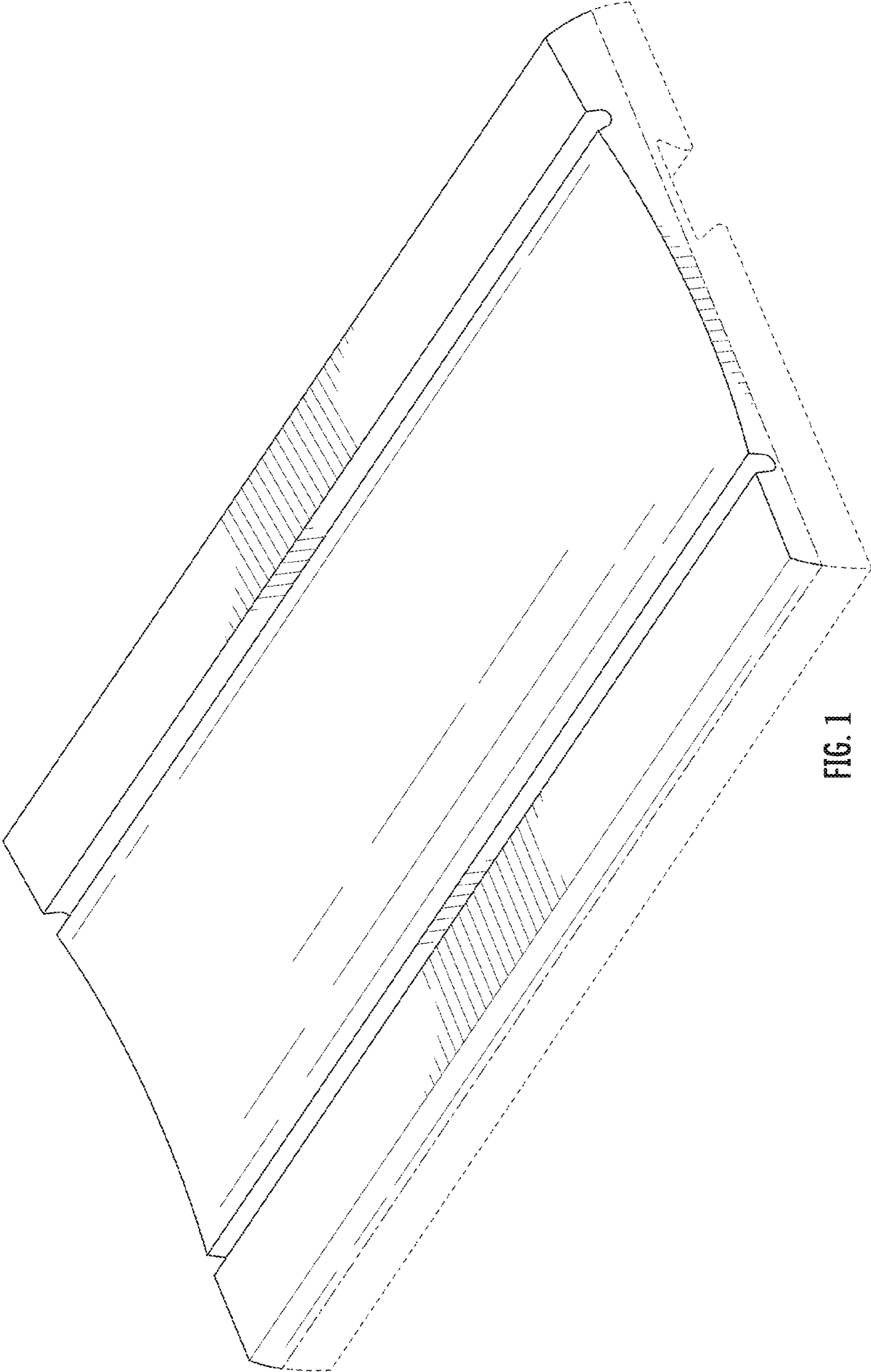


FIG. 1

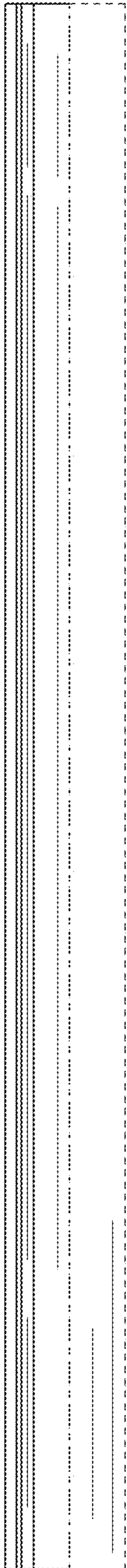


FIG. 2

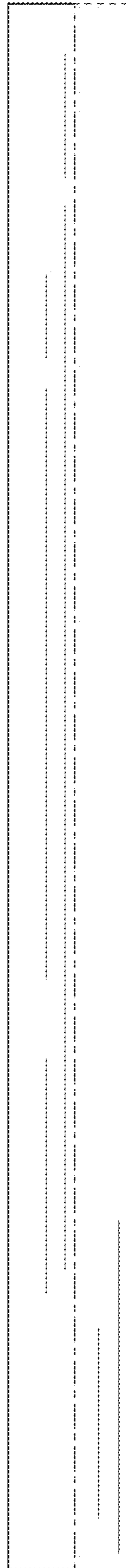


FIG. 3

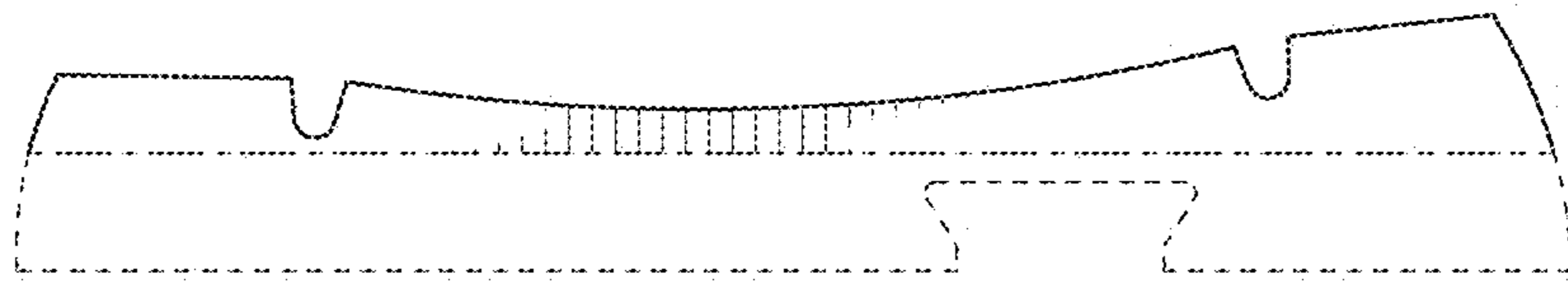


FIG. 5

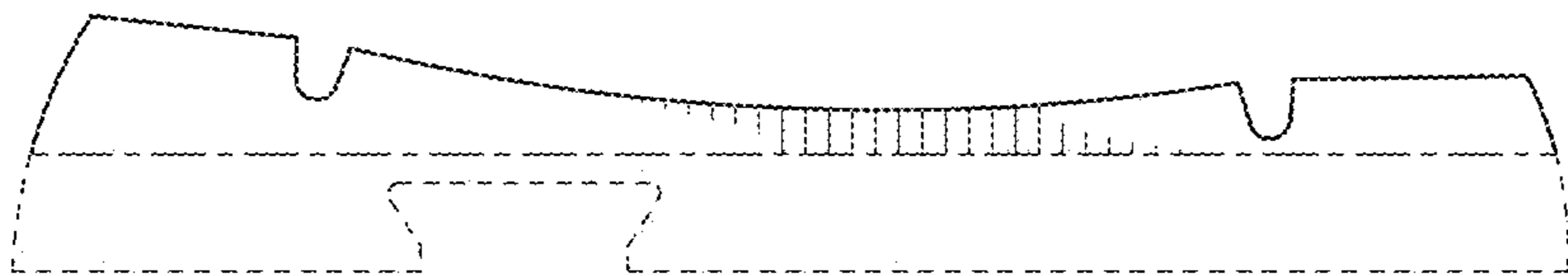


FIG. 4

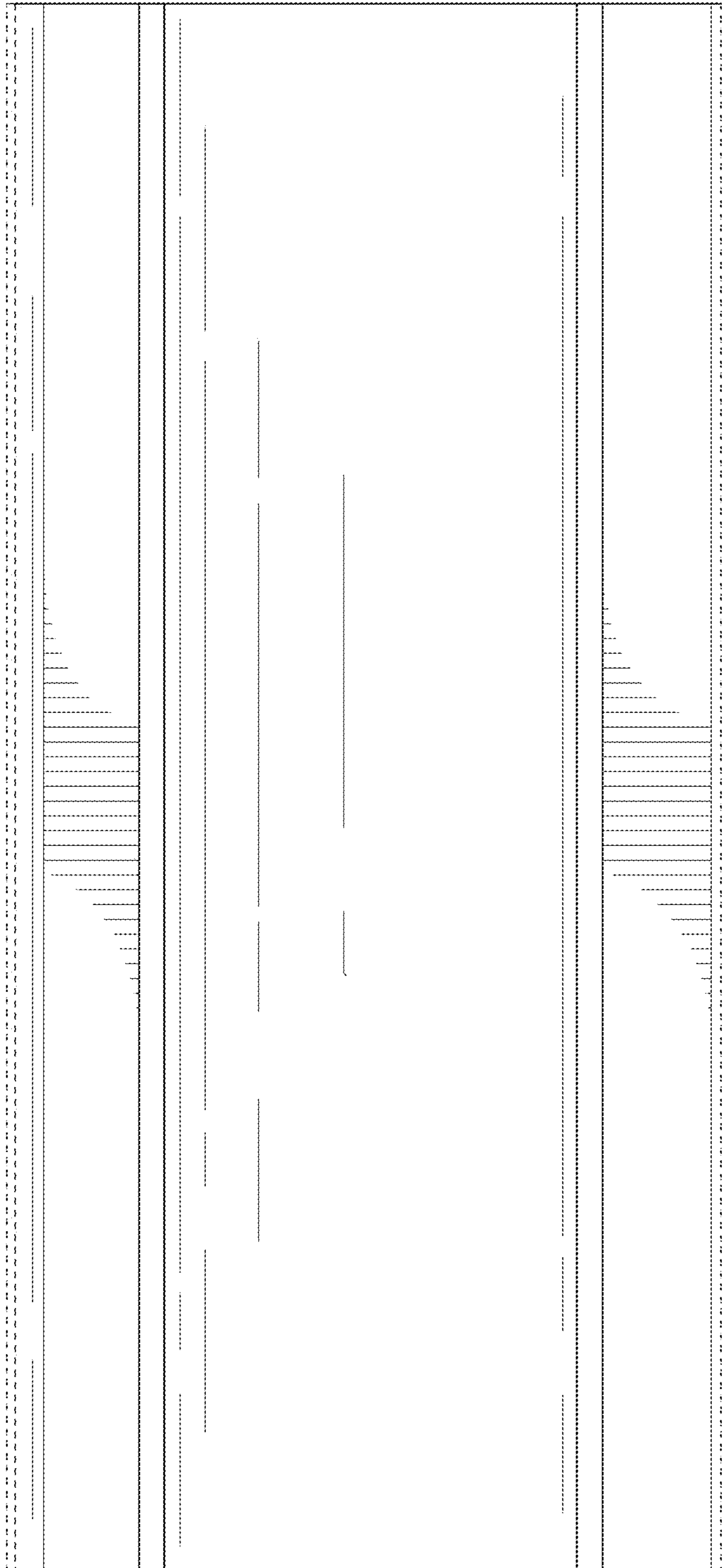


FIG. 6



FIG. 7