



US00D950271S

(12) **United States Design Patent** (10) **Patent No.:** **US D950,271 S**
Chong et al. (45) **Date of Patent:** **** May 3, 2022**

(54) **GANGING TRAY**

FOREIGN PATENT DOCUMENTS

(71) Applicant: **AMQ Solutions, LLC**, Santa Clara, CA (US)

DE 2032209 A1 1/1972
DE 29612402 U1 10/1996
GB 2359483 A 8/2001

(72) Inventors: **Kin Fui Chong**, Singapore (SG); **Bin Zhang**, Foshan (CN); **Damien Soo Beng Khoo**, Singapore (SG)

OTHER PUBLICATIONS

(73) Assignee: **AMQ Solutions, LLC**, Santa Clara, CA (US)

Facebook user "Indoff Commercial Interiors", photo posted Jul. 21, 2020, facebook.com [online] [site visited Dec. 15, 2021], Available at URL: <https://www.facebook.com/furniturefortheoffice/photos/pcb.1651852818305880/1651852758305886/?type=3&theater> (Year: 2020).*

(**) Term: **15 Years**

Primary Examiner — Michelle E. Wilson

(21) Appl. No.: **29/722,370**

Assistant Examiner — Caitlin A Laverty

(22) Filed: **Jan. 29, 2020**

(74) *Attorney, Agent, or Firm* — Price Heneveld LLP

(51) **LOC (13) Cl.** **06-04**

(57) **CLAIM**

(52) **U.S. Cl.**

We claim the ornamental design for a ganging tray, as shown and described.

USPC **D6/567**

DESCRIPTION

(58) **Field of Classification Search**

USPC D3/304–305, 307, 313, 318–319, 323, D3/328, 272; D6/702, 704–705, 512, D6/334–336, 362, 574, 716, 553, 567, D6/573; D9/434, 499, 455–456
CPC A47F 1/04; A47F 5/00; A47F 7/00; A47F 13/083; B65D 71/0036; B65D 2543/00222; B65D 2543/002969

FIG. 1 is a front perspective view of a ganging tray, showing our new design;

FIG. 2 is a rear perspective view of the ganging tray thereof; FIG. 3 is a bottom perspective view of the ganging tray thereof;

See application file for complete search history.

FIG. 4 is a right side view of the ganging tray thereof, the left side view is a mirror image of the right side view of FIG. 4;

(56) **References Cited**

U.S. PATENT DOCUMENTS

3,125,372 A 3/1964 Rose
D236,935 S * 9/1975 Frazelle D6/705
D248,805 S * 8/1978 Bridges D6/573
D335,996 S * 6/1993 Evenson D19/90
D361,462 S * 8/1995 Newham D6/567
D393,005 S * 3/1998 Devito D19/86

FIG. 5 is a front view of the ganging tray thereof;

FIG. 6 is a rear view of the ganging tray thereof;

FIG. 7 is a top view of the ganging tray thereof;

FIG. 8 is a bottom view of the ganging tray thereof;

FIG. 9 is a cross-sectional view along lines IX-IX of FIG. 5;

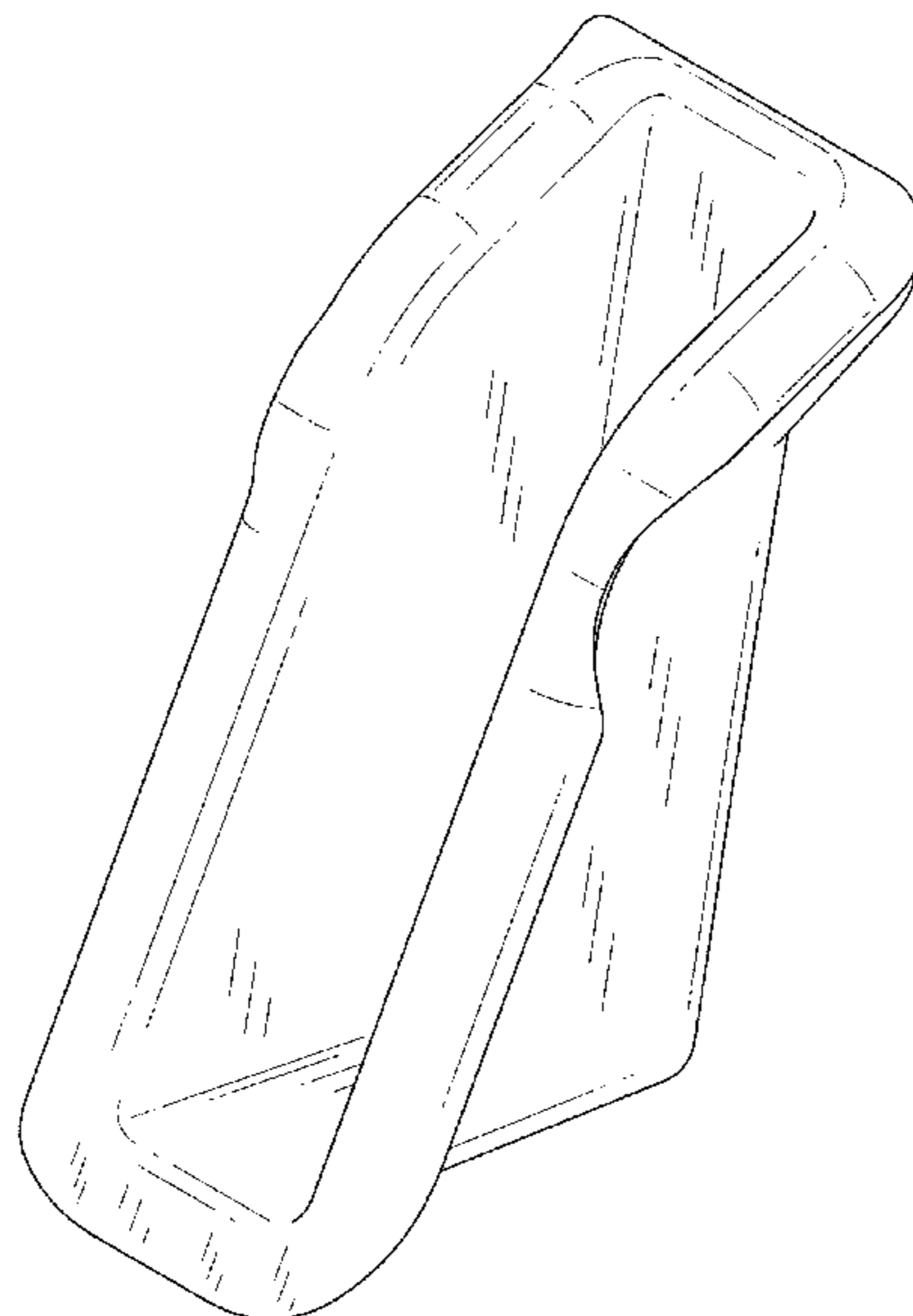
FIG. 10 is a cross-sectional view along lines X-X of FIG. 5;

FIG. 11 is a cross-sectional view along lines XI-XI of FIG. 5; and,

FIG. 12 is a cross-sectional view along lines XII-XII of FIG. 5.

(Continued)

1 Claim, 10 Drawing Sheets



(56)

References Cited

U.S. PATENT DOCUMENTS

5,957,530	A	9/1999	Gutgsell	
D582,190	S *	12/2008	Valiulis	D6/567
8,528,971	B2	9/2013	Bilodeau et al.	
8,632,123	B2	1/2014	Barlie	
D705,055	S *	5/2014	Donaldson	D9/434
10,349,746	B2 *	7/2019	Koehler	A47C 7/16
D915,194	S *	4/2021	Evelich	D9/431
2014/0152059	A1 *	6/2014	Swy	A47C 1/124 297/188.01

* cited by examiner

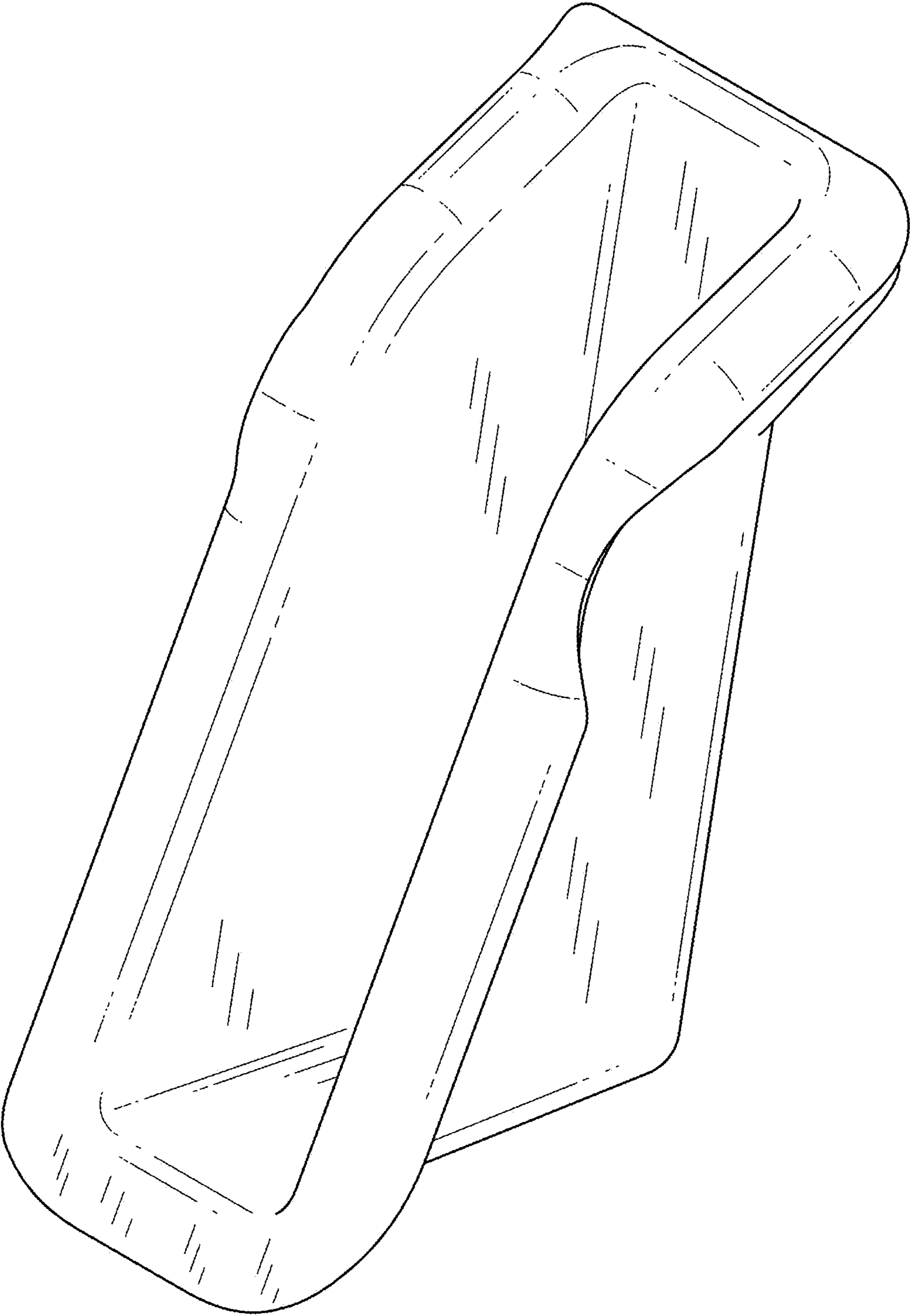


FIG. 1



FIG. 2

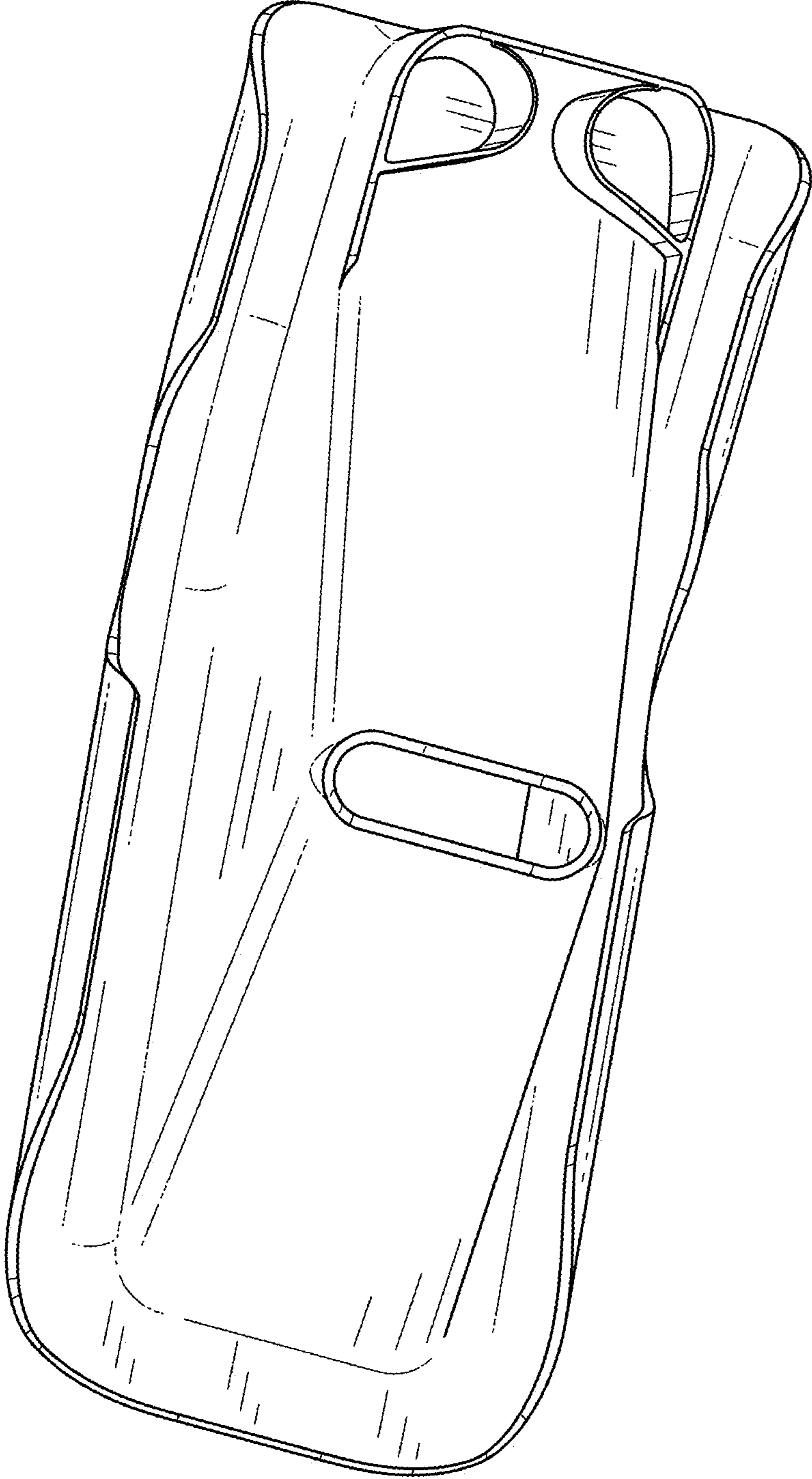


FIG. 3

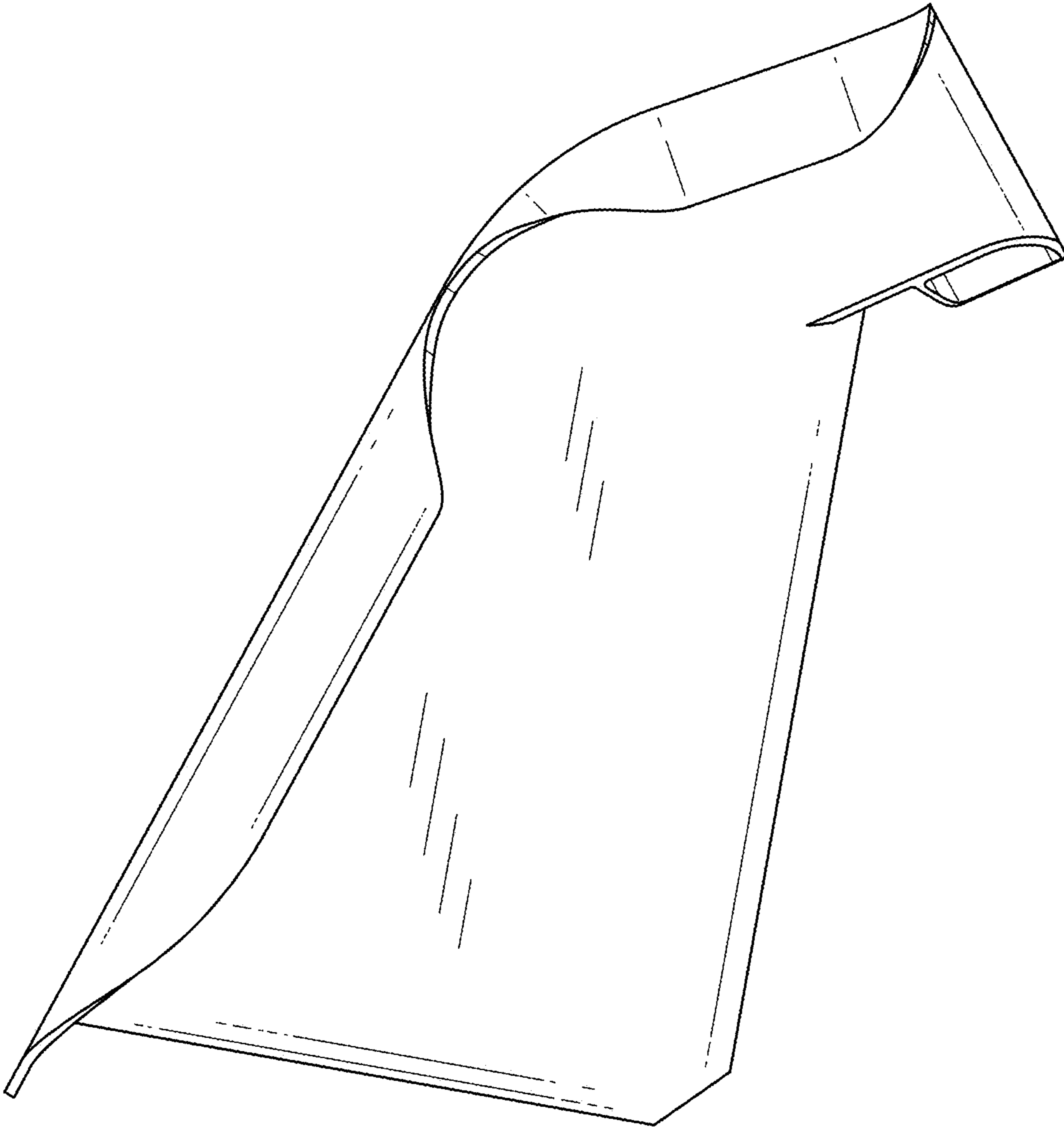


FIG. 4

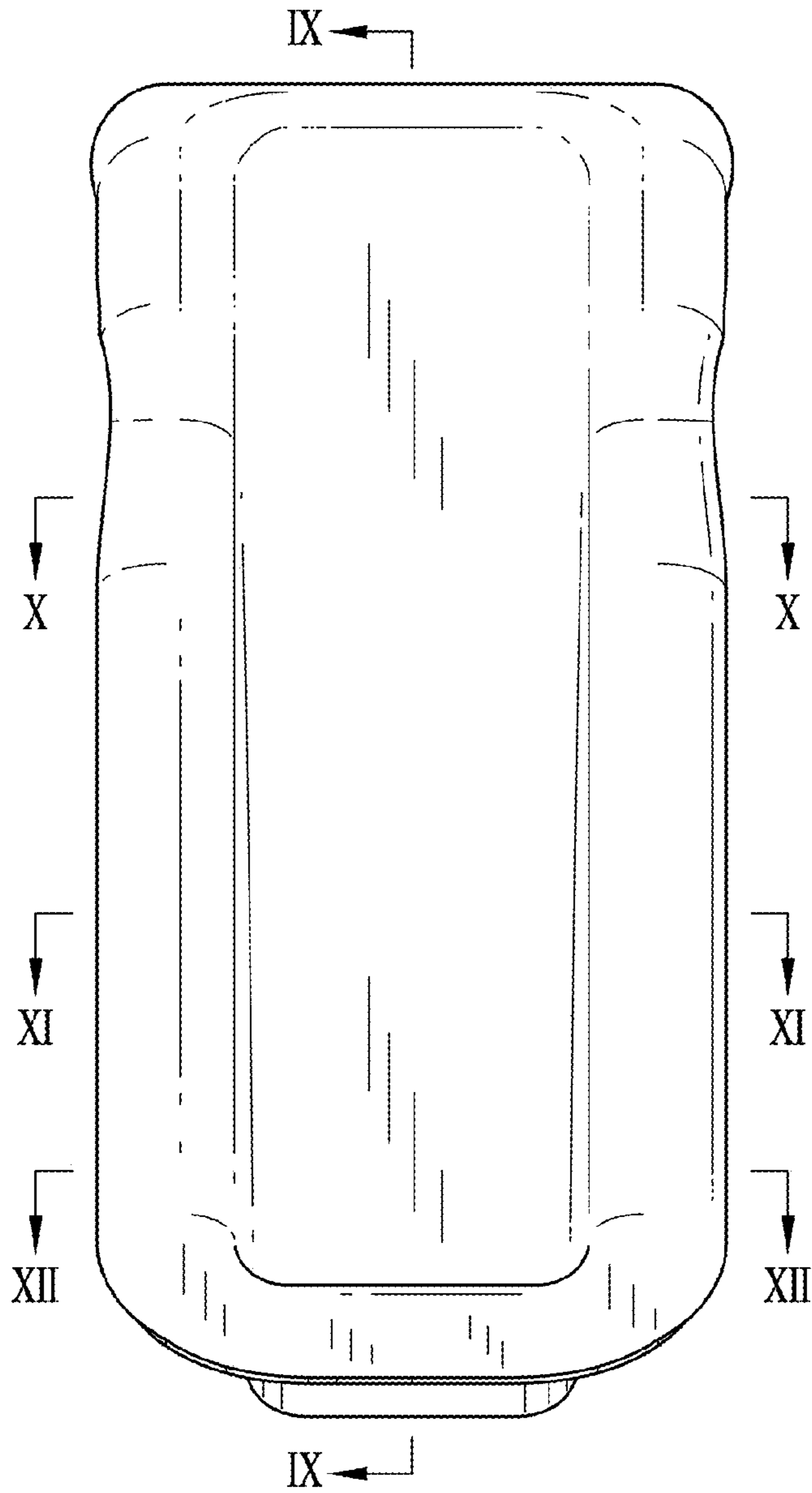


FIG. 5

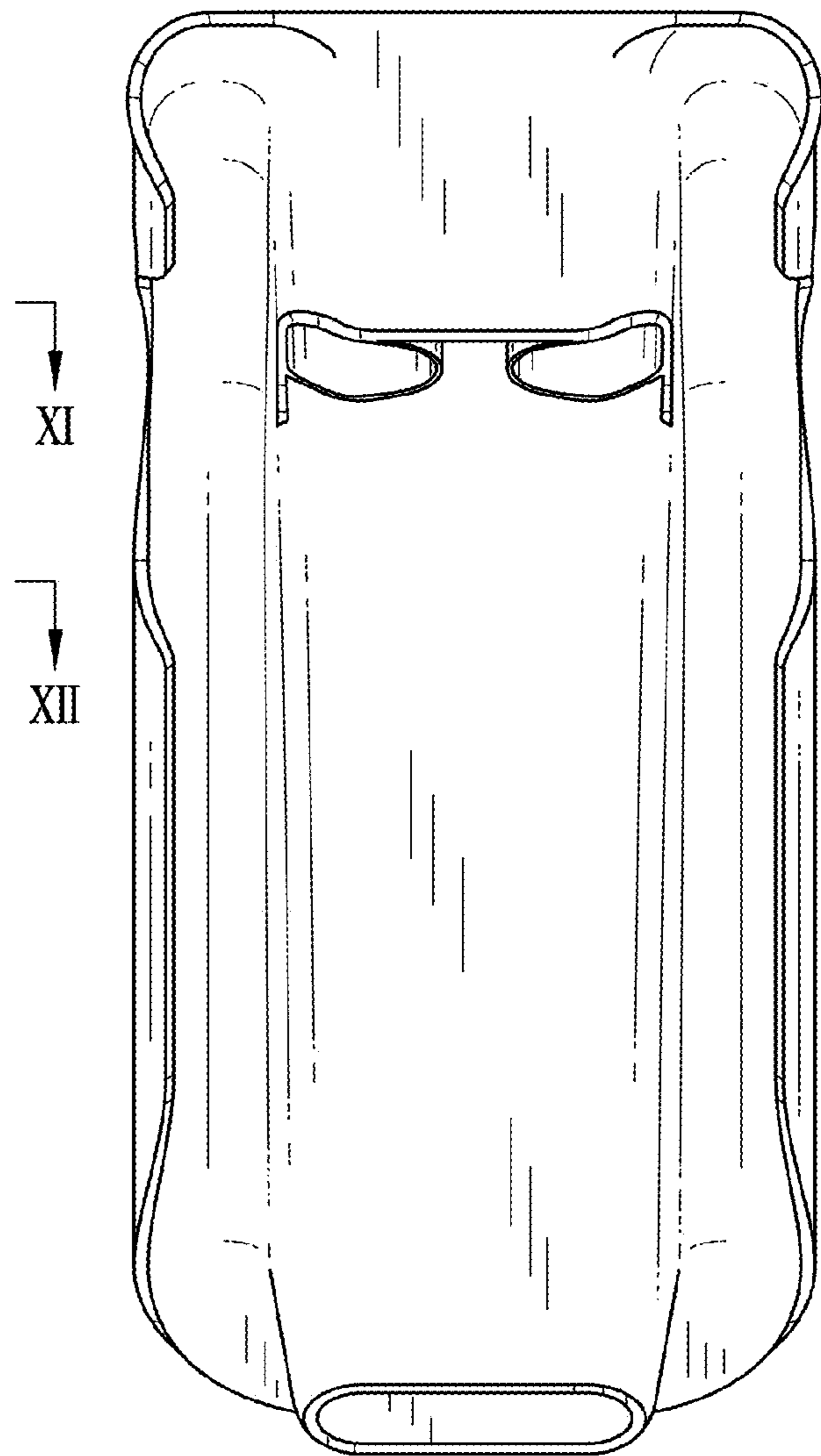


FIG. 6

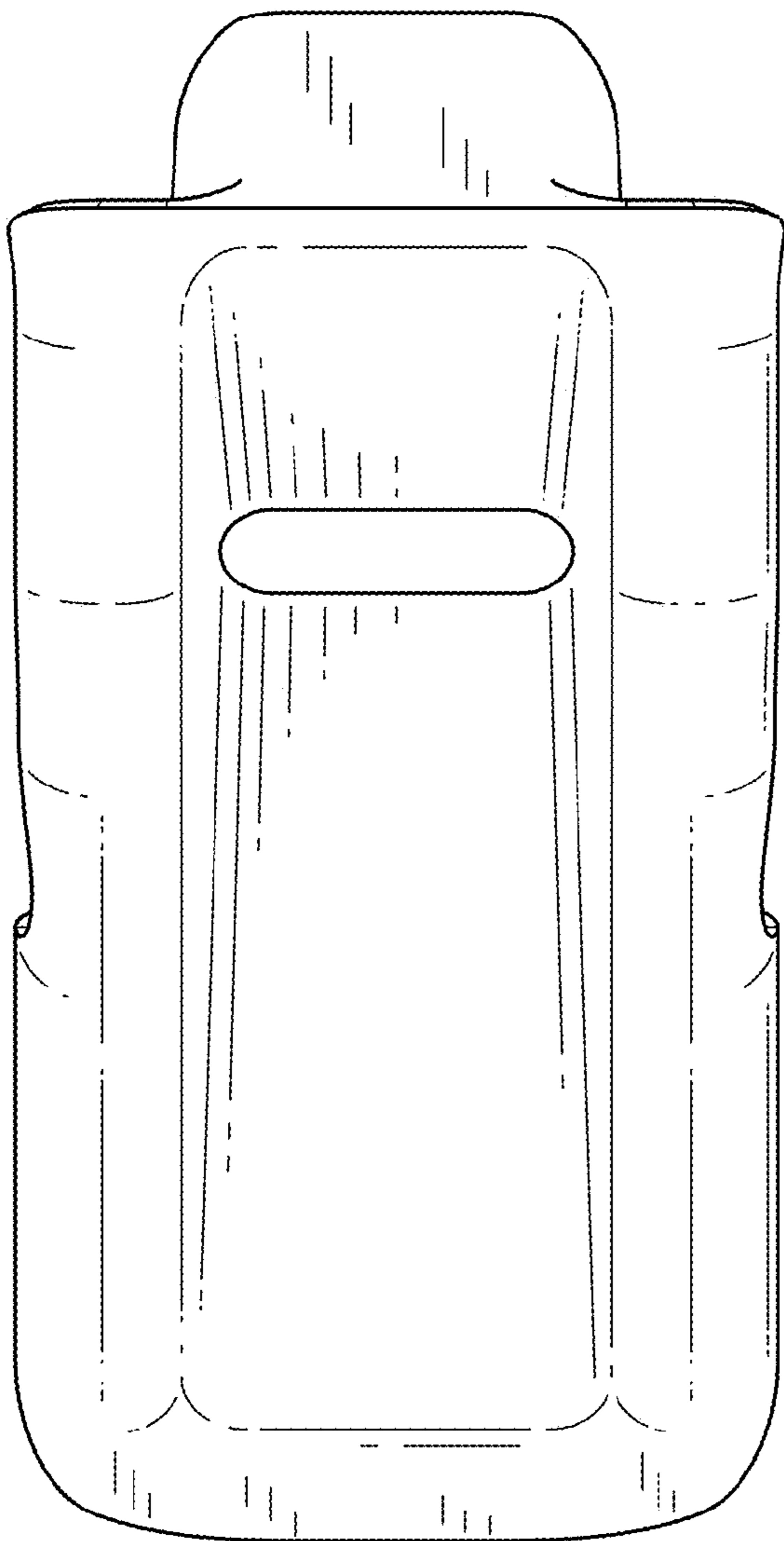


FIG. 7

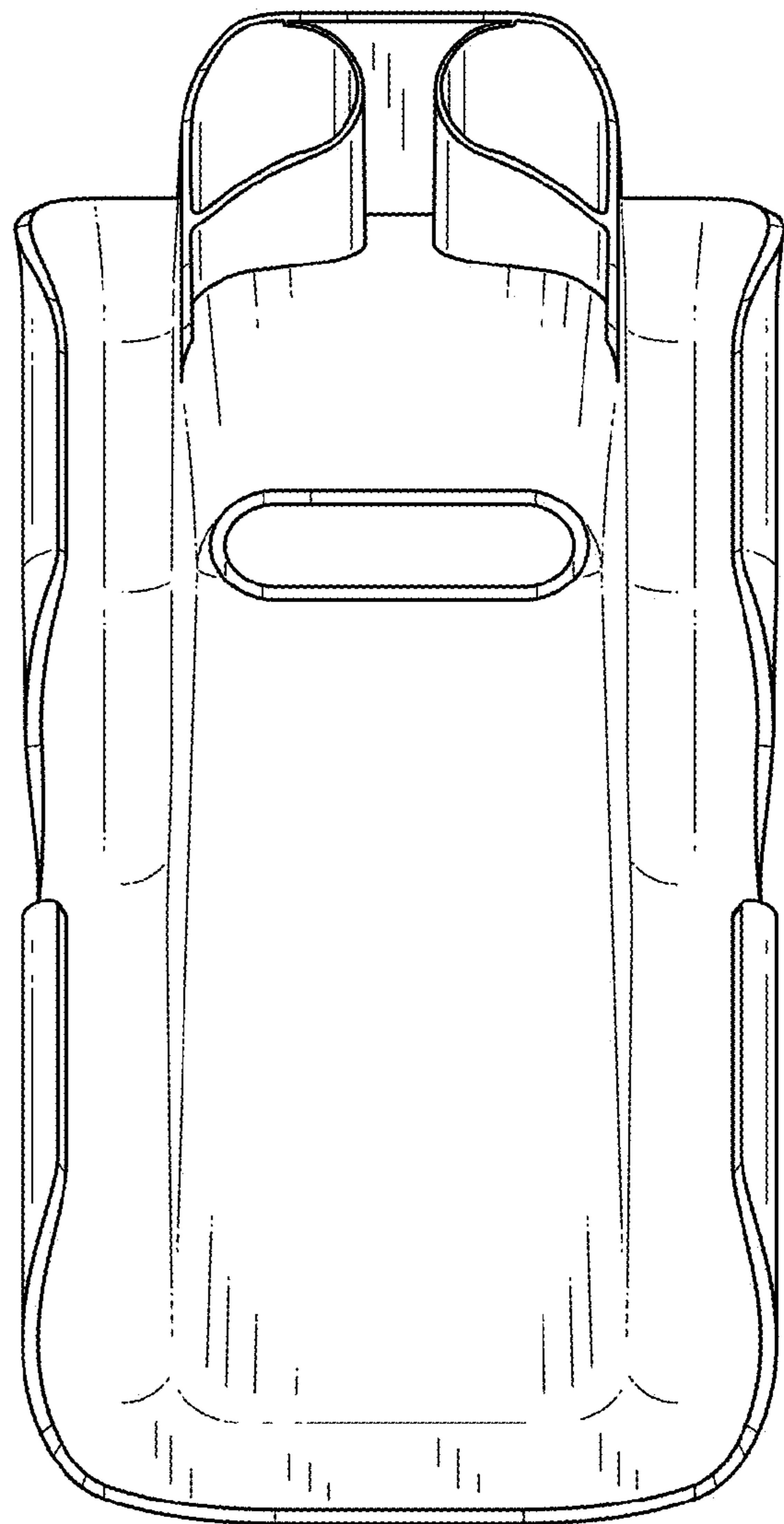


FIG. 8

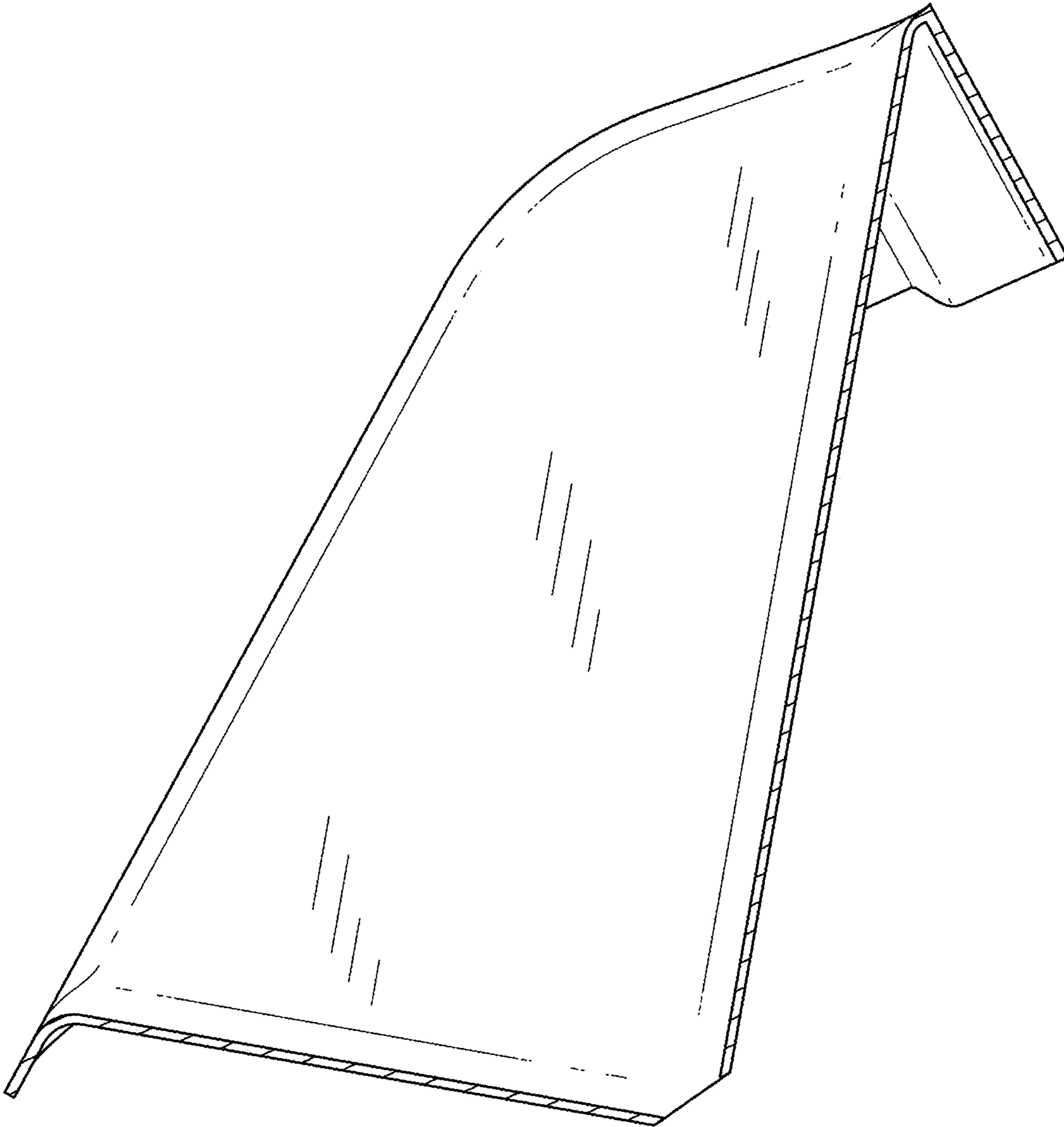


FIG. 9

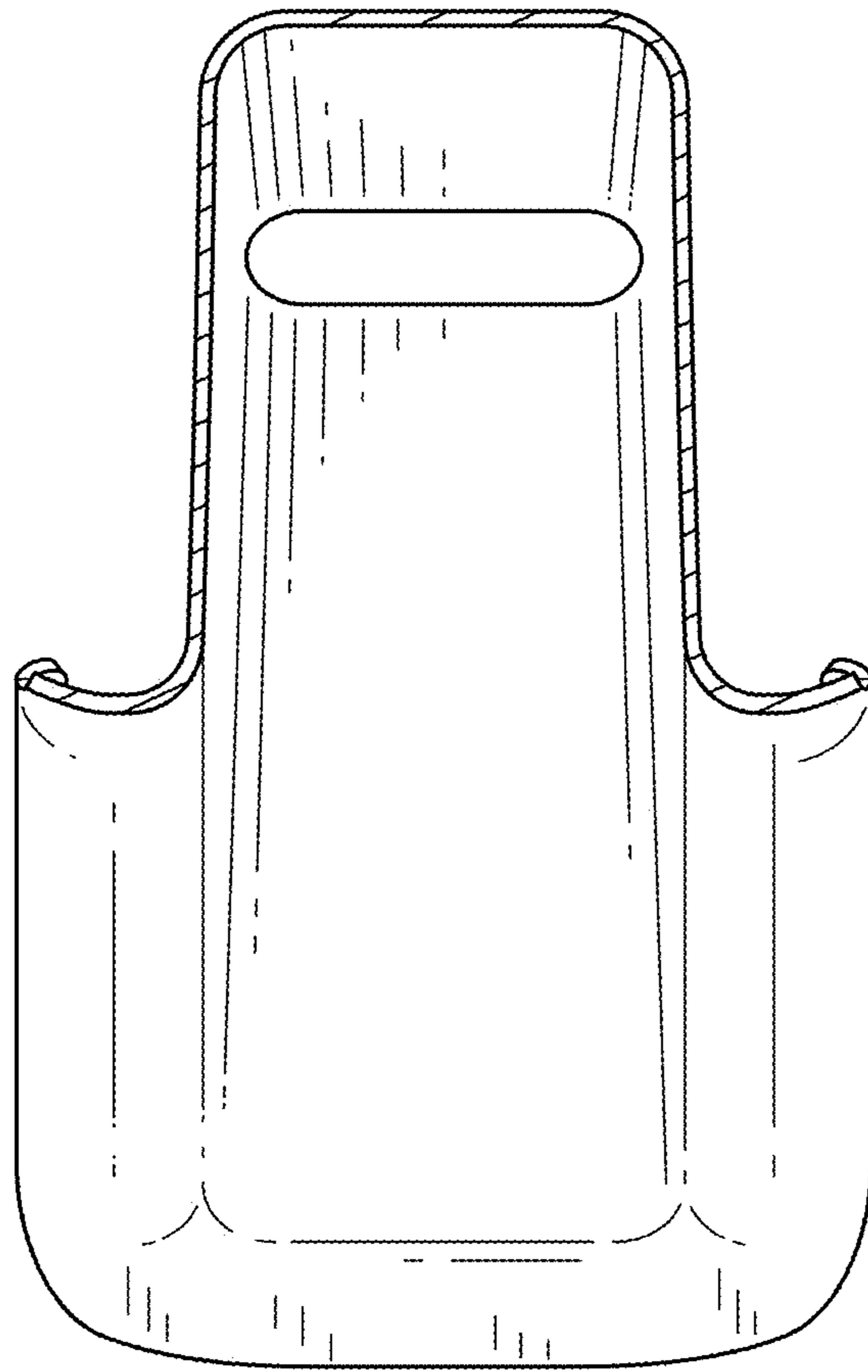


FIG. 10

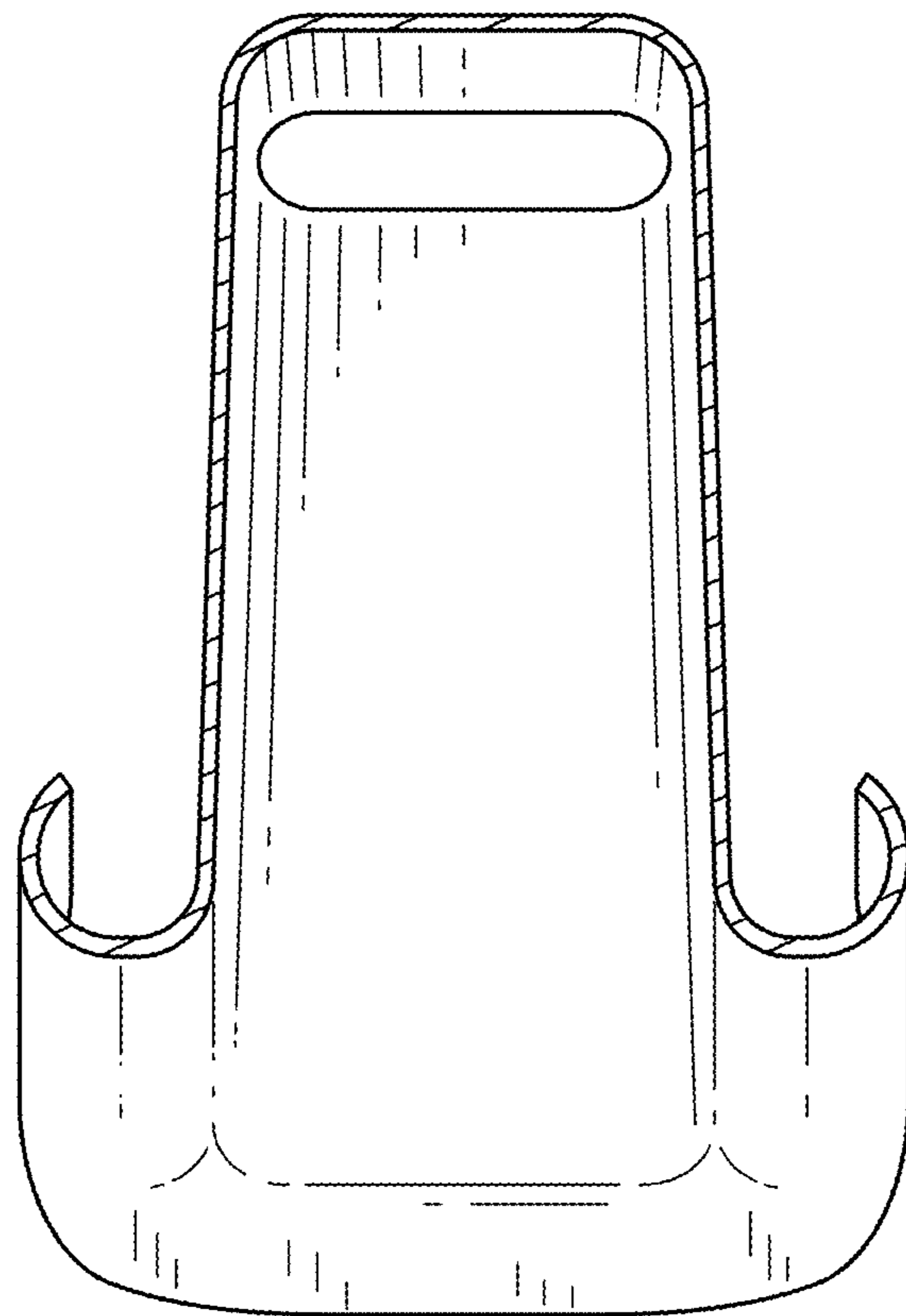


FIG. 11

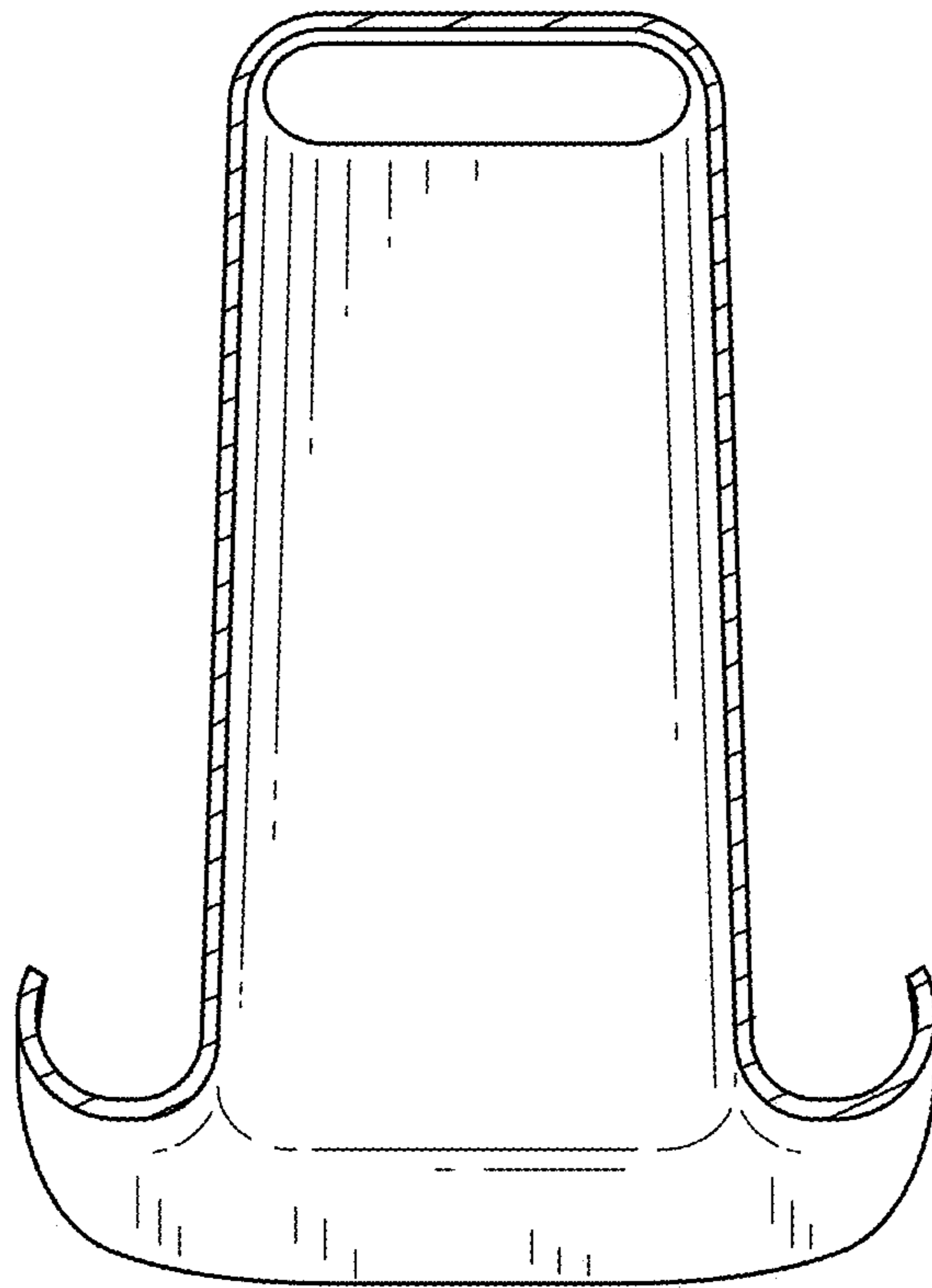


FIG. 12