



US00D950269S

(12) **United States Design Patent** (10) **Patent No.:** **US D950,269 S**
Rawl (45) **Date of Patent:** **** May 3, 2022**

(54) **SERVICE TRAY** 7,341,006 B2 * 3/2008 Hernandez A47B 3/0815
108/115
(71) Applicant: **Jay Rawl**, Monroe, GA (US) D611,737 S * 3/2010 Miller D6/692
D612,169 S * 3/2010 Chang D6/656.13
(72) Inventor: **Jay Rawl**, Monroe, GA (US) D620,276 S * 7/2010 Miller D6/406.2
D656,760 S * 4/2012 Fox D6/708
(73) Assignee: **Minerva Beauty, Inc.**, Monroe, GA D671,771 S * 12/2012 Heyvaerts D6/691.4
(US) D694,044 S * 11/2013 Copeland D6/656.15
D720,948 S * 1/2015 Gonzalez D6/656.13
D728,433 S * 5/2015 Nishida D12/128
D915,796 S * 4/2021 Koplent-Zinyk D6/656.19
D921,378 S * 6/2021 Wang D6/349
(**) Term: **15 Years** 2007/0289506 A1 * 12/2007 Branch A47B 23/046
(21) Appl. No.: **29/652,734** 108/116

(22) Filed: **Nov. 4, 2020**
(51) **LOC (13) Cl.** **06-06**
(52) **U.S. Cl.**
USPC **D6/406.1**
(58) **Field of Classification Search**
USPC D6/406.1, 406.2, 406.3, 406.4, 406.5,
D6/406.6, 672, 675, 656, 656.15
CPC ... A47B 23/00; A47B 23/04; A47B 2023/049;
B25H 1/00
See application file for complete search history.

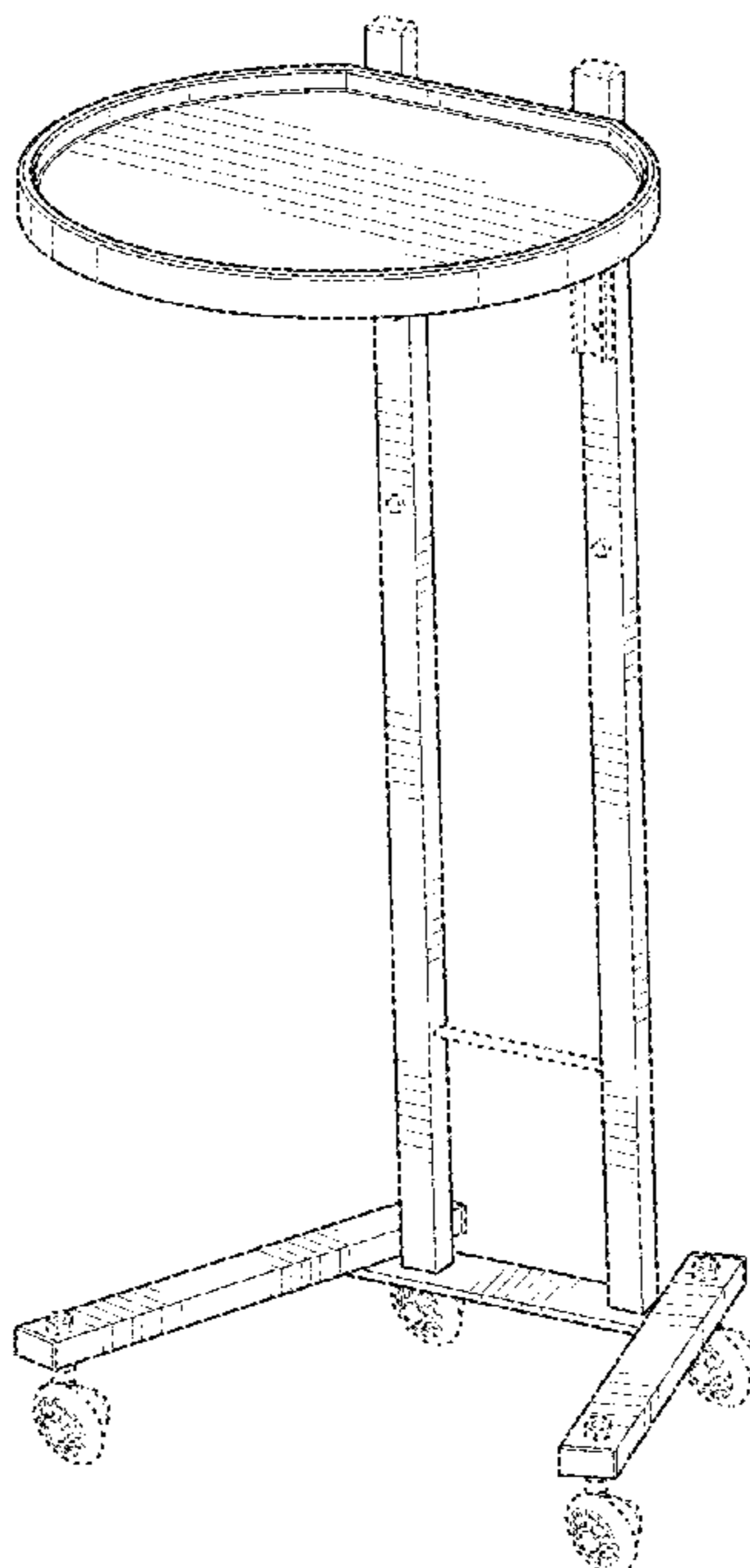
* cited by examiner
Primary Examiner — Kelley A Donnelly
(74) *Attorney, Agent, or Firm* — Dunlap Bennett & Ludwig, PLLC

(57) **CLAIM**
The ornamental design for a service tray, as shown and described.

(56) **References Cited**
U.S. PATENT DOCUMENTS
3,853,297 A * 12/1974 Drolet F16B 7/14
248/412
D270,588 S * 9/1983 Kemple D6/406.1
D296,851 S * 7/1988 Kelley D6/656.11
RE33,645 E * 7/1991 Coote B25H 5/00
248/129
D441,224 S * 5/2001 Scheper D6/692.3
6,688,634 B2 * 2/2004 Noffsinger B25H 3/06
280/47.19
6,694,891 B1 * 2/2004 Lai A47B 3/0818
108/116
D548,496 S * 8/2007 Samtani D6/656.13

DESCRIPTION
FIG. 1 is a perspective view of a service tray, showing my new design;
FIG. 2 is a front elevation view thereof;
FIG. 3 is a rear elevation view thereof;
FIG. 4 is a left-side elevation view thereof;
FIG. 5 is a right-side elevation view thereof; and,
FIG. 6 is a top plan view thereof.
The broken lines shown in the drawings depict portions of the service tray that form no part of the claimed design.

1 Claim, 4 Drawing Sheets



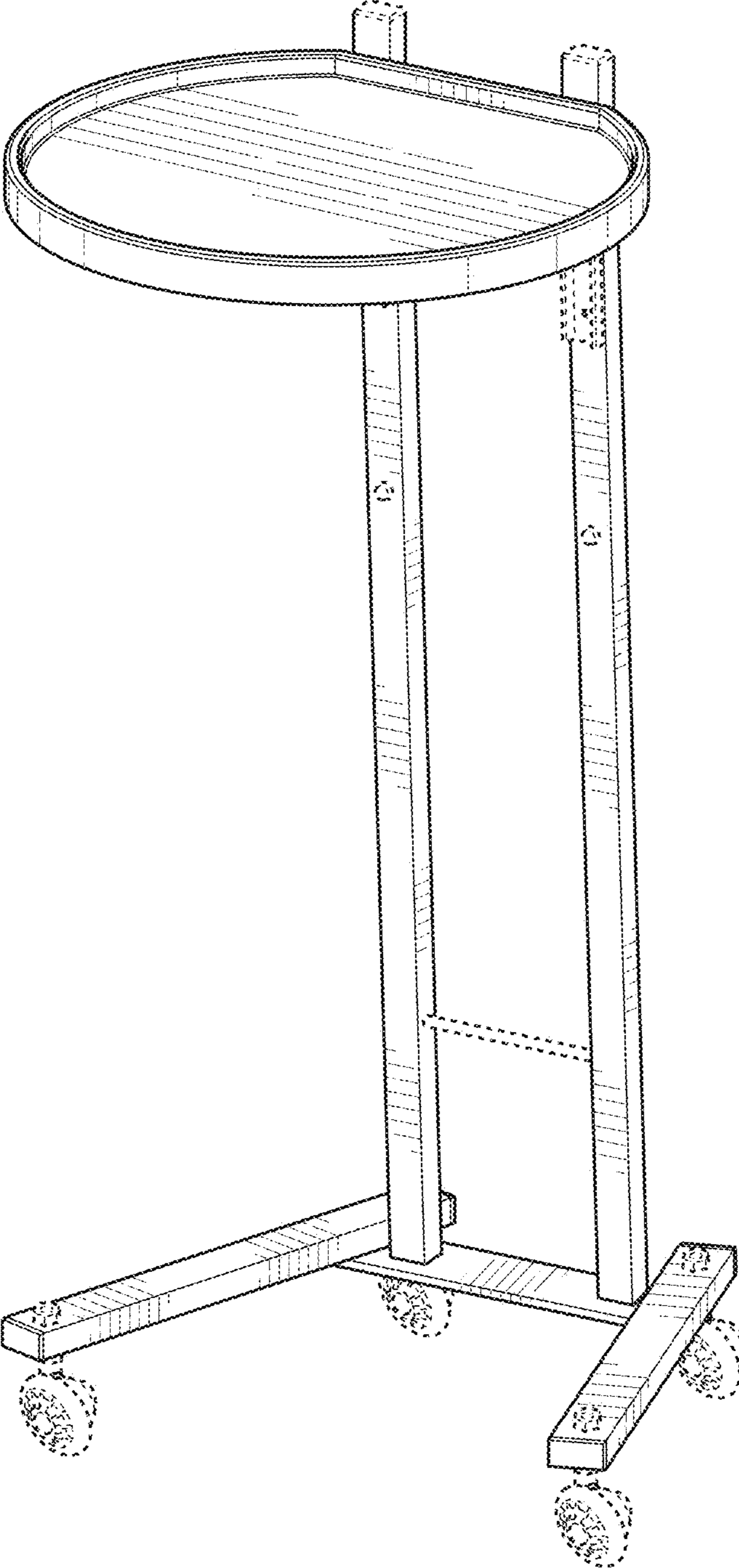


FIG. 1

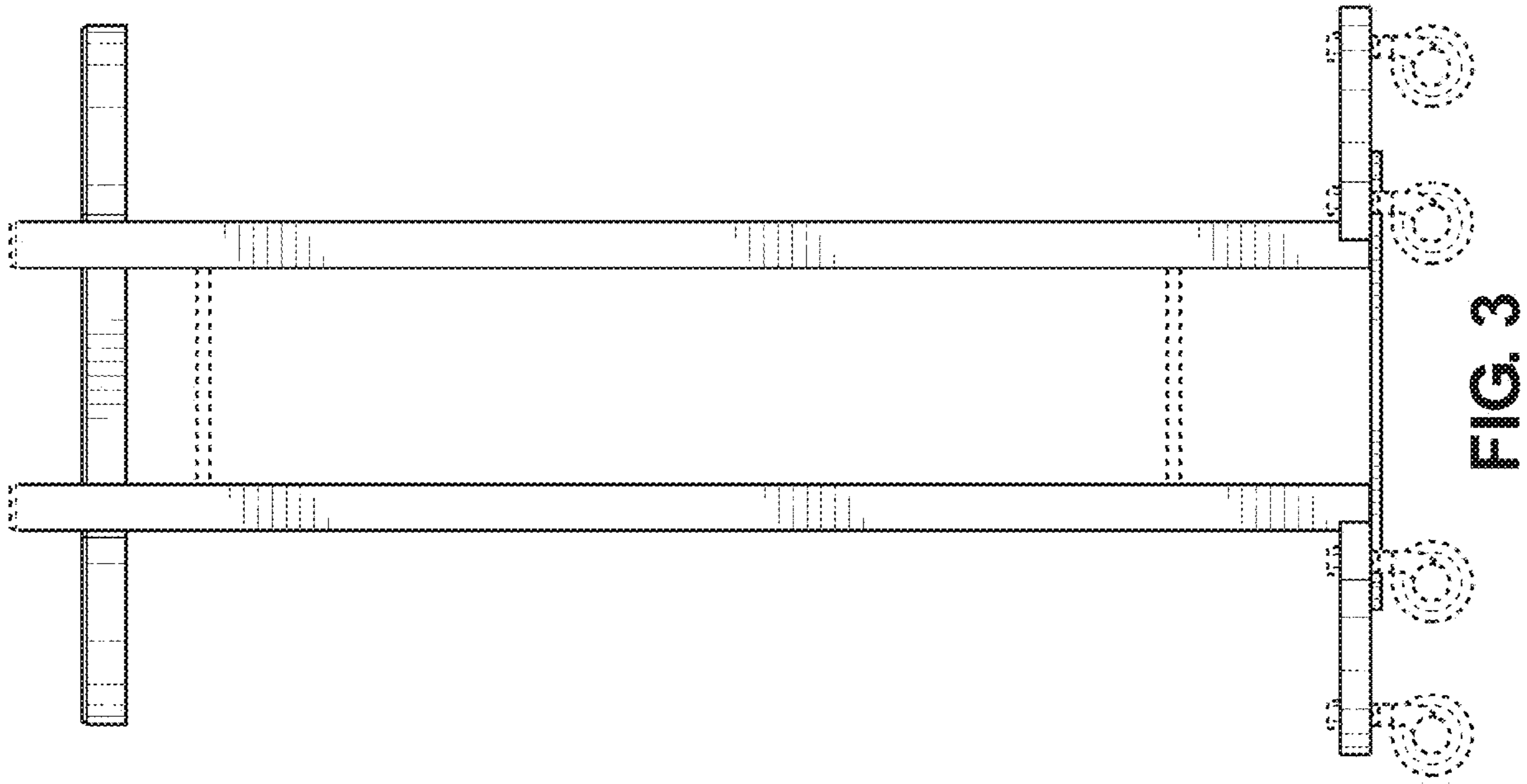


FIG. 3

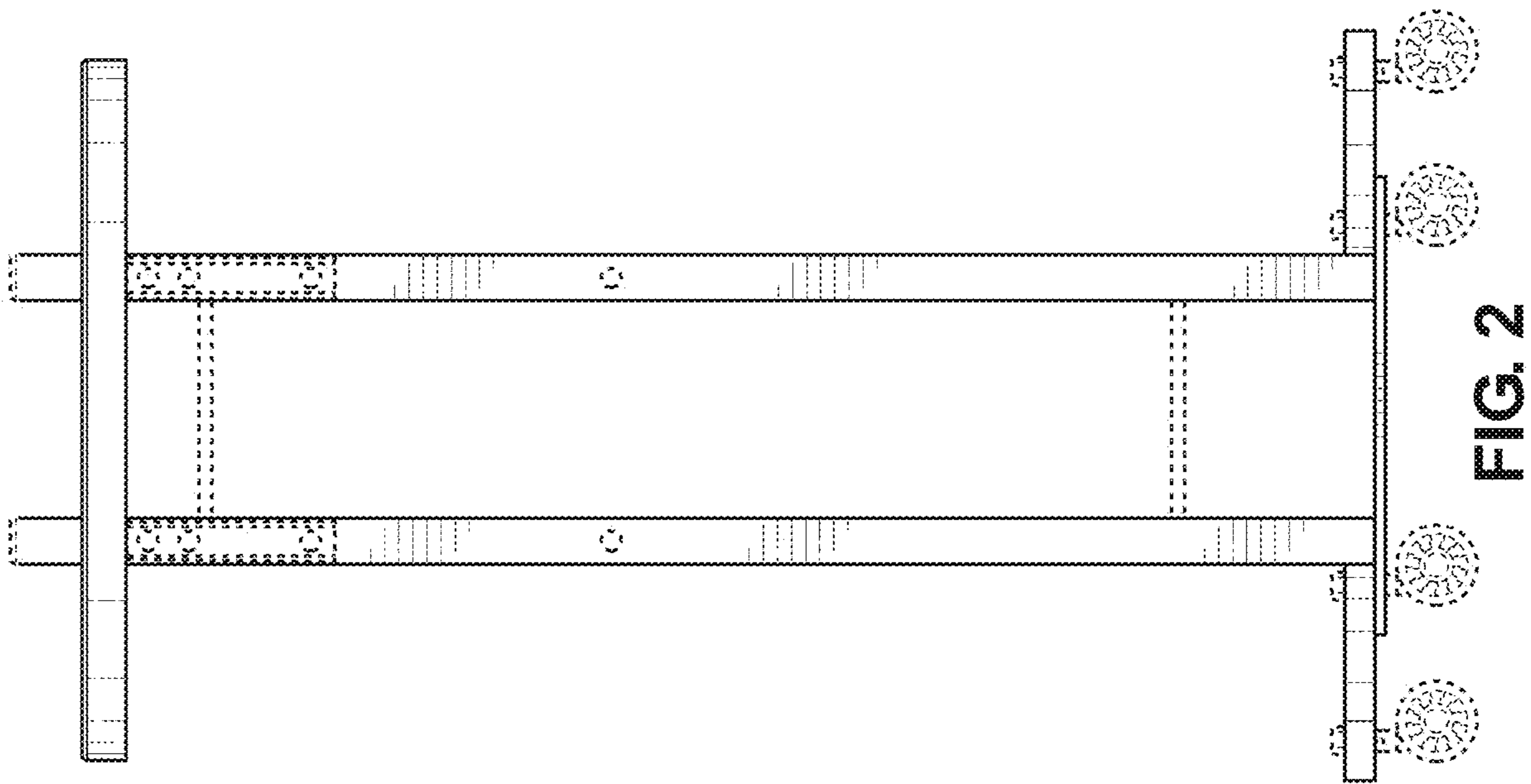


FIG. 2

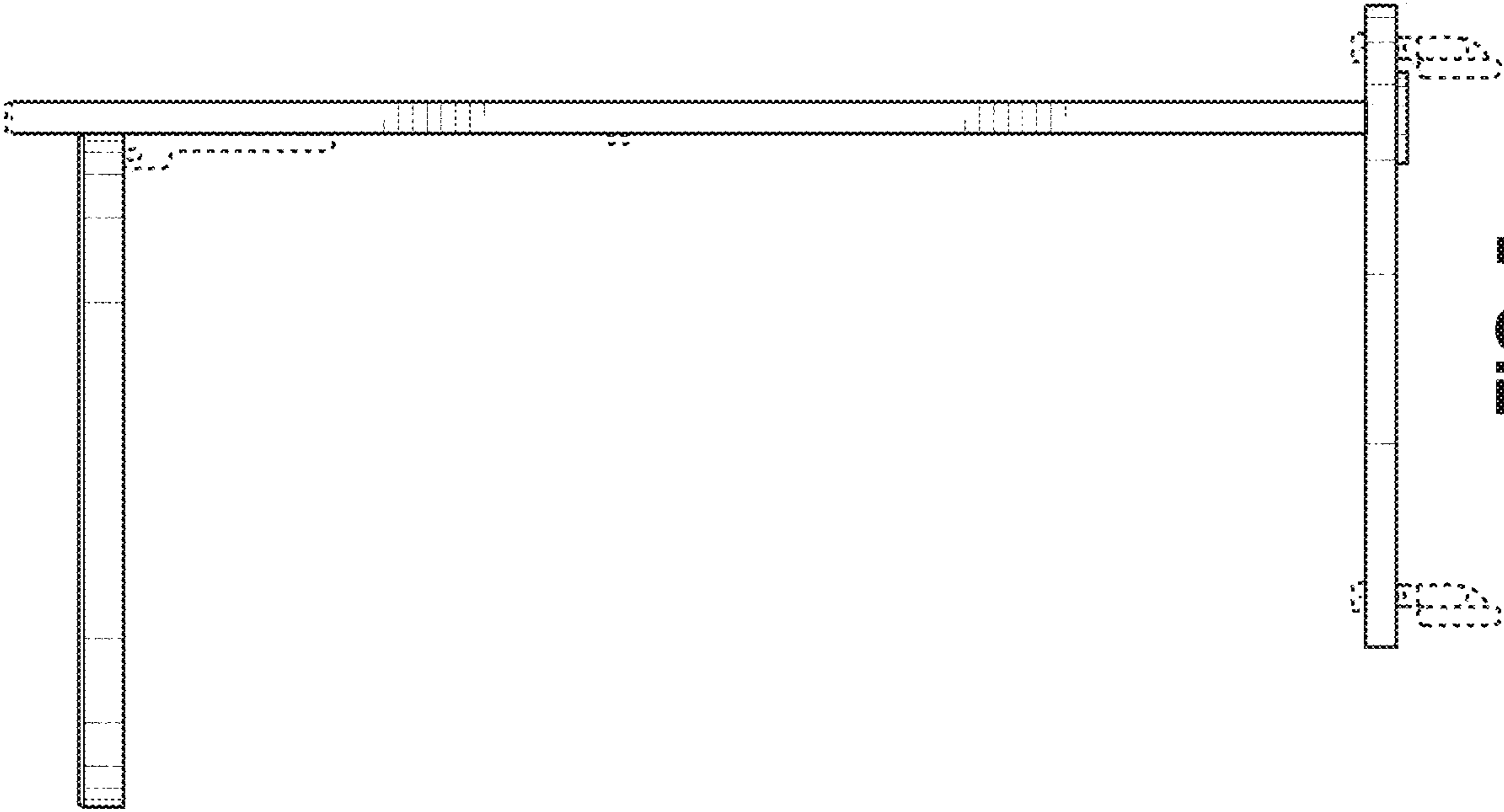


FIG. 5

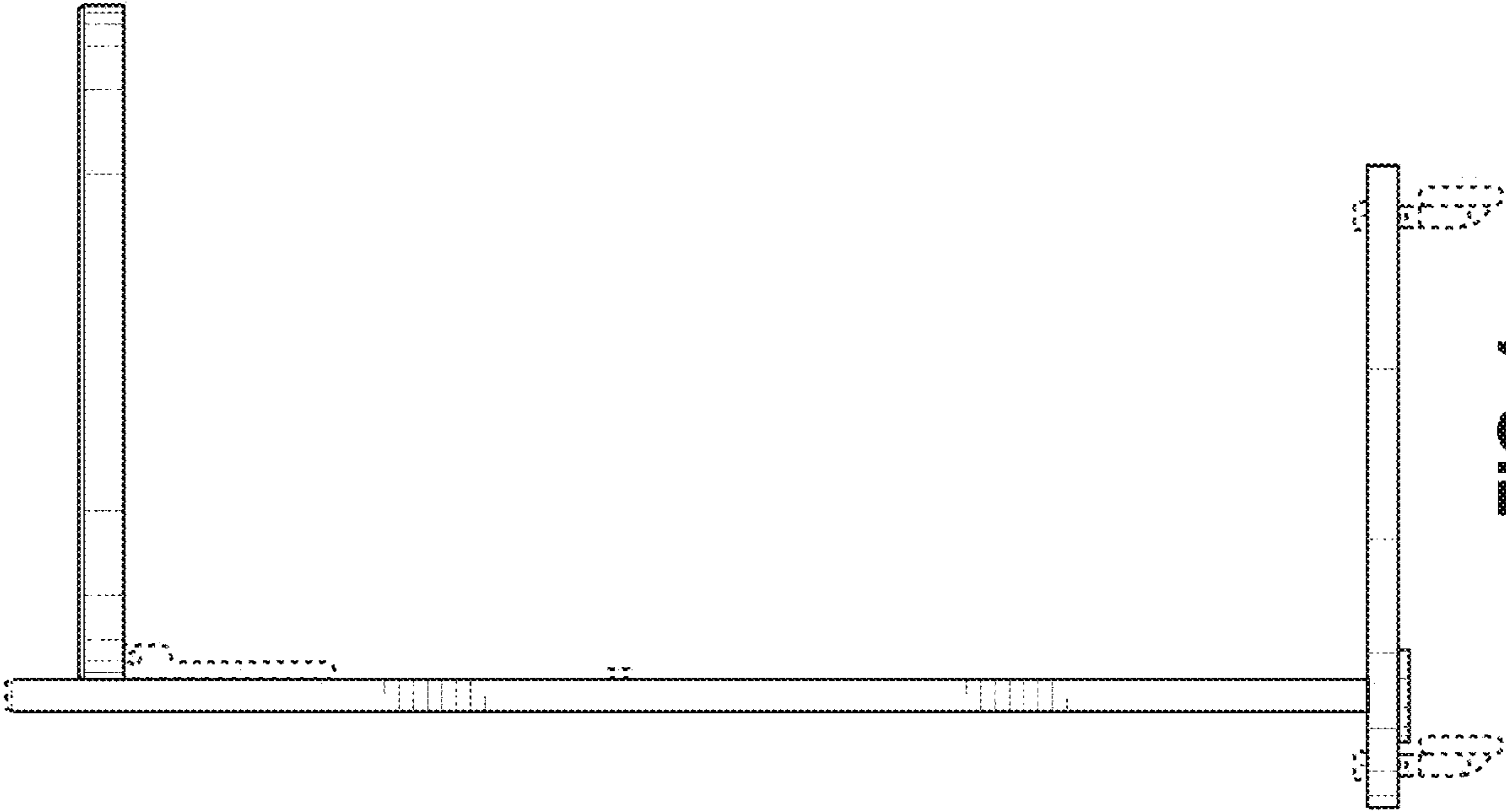


FIG. 4

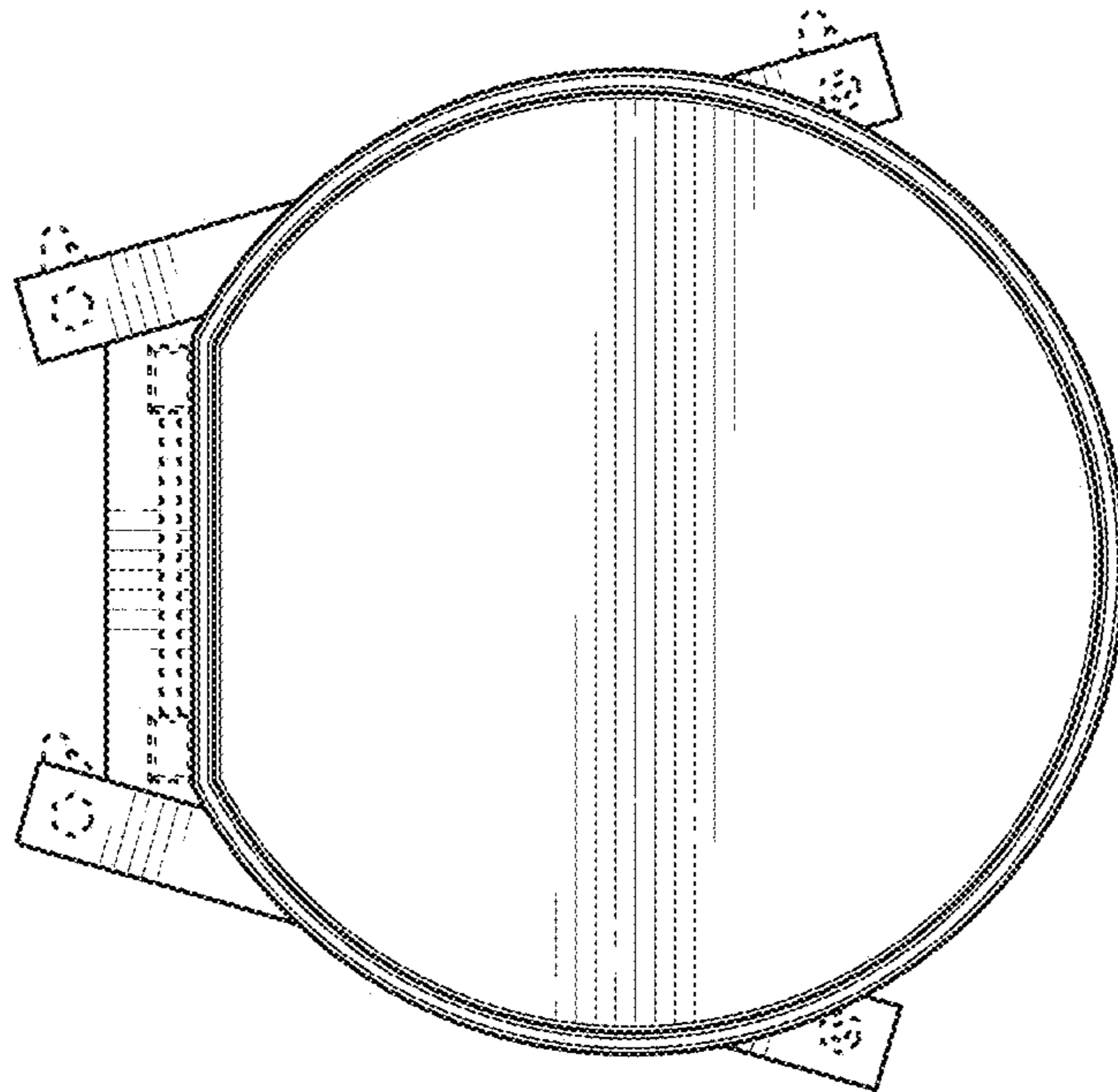


FIG. 6