



US00D950268S

(12) **United States Design Patent** (10) **Patent No.:** **US D950,268 S**
Hsu (45) **Date of Patent:** **** May 3, 2022**

(54) **BED FRAME FOR HOSPITAL BED**
(71) Applicant: **Pei-Yu Hsu**, New Taipei (TW)
(72) Inventor: **Pei-Yu Hsu**, New Taipei (TW)
(**) Term: **15 Years**
(21) Appl. No.: **29/745,788**
(22) Filed: **Aug. 10, 2020**
(51) **LOC (13) Cl.** **06-02**
(52) **U.S. Cl.**
USPC **D6/392**
(58) **Field of Classification Search**
USPC D6/382, 383, 392, 393, 394, 395, 595,
D6/596, 604-605
CPC A47C 19/00; A47C 19/04; A47C 19/12;
A47C 19/02; F16B 12/54; F16B 7/04
See application file for complete search history.

(56) **References Cited**

U.S. PATENT DOCUMENTS

6,742,205 B2 * 6/2004 Dewert A47C 20/041
5/236.1
7,849,539 B2 * 12/2010 Hornbach A61G 7/015
5/618
D653,047 S * 1/2012 Tekulve D6/382
9,009,888 B1 * 4/2015 Tekulve A61G 7/002
5/181
10,463,163 B1 * 11/2019 Aramli A47C 21/026
10,638,850 B2 * 5/2020 Skaggs A47C 19/025
10,682,272 B2 * 6/2020 Bellingroth A61G 7/015
10,912,390 B1 * 2/2021 Chung A47C 20/041
2002/0178502 A1 * 12/2002 Beasley A61G 7/015
5/618
2006/0143827 A1 * 7/2006 Wilming A47C 20/041
5/618
2007/0220677 A1 * 9/2007 Dewert A47C 20/041
5/618
2008/0028535 A1 * 2/2008 Rodrigues Moreira
A47C 20/041
5/722

2014/0259415 A1 * 9/2014 Serhan A47C 27/142
5/613
2016/0287460 A1 * 10/2016 Tekulve A61G 7/015
2017/0087039 A1 * 3/2017 Shih A61G 7/018
2017/0325592 A1 * 11/2017 Suh A47C 20/041
2017/0348186 A1 * 12/2017 Garcia A61H 23/02
2018/0000254 A1 * 1/2018 Jin A47C 19/122
2018/0255936 A1 * 9/2018 Choi A47C 19/02
2018/0360226 A1 * 12/2018 Dewert A47C 23/005
2020/0237105 A1 * 7/2020 Eskridge, III A47C 19/122
2020/0405067 A1 * 12/2020 Choi A47C 19/122
2021/0219735 A1 * 7/2021 Huang A47C 20/042
2021/0307531 A1 * 10/2021 Lee A61G 7/015

(Continued)

OTHER PUBLICATIONS

Freestyle Comfort Base, published in YouTube on Sep. 23, 2016 [online], Retrieved on Dec. 15, 2021 from URL: <https://www.youtube.com/watch?v=dqbshs-8T-I> (Year: 2016).*

Primary Examiner — Vy N Koenig

Assistant Examiner — Michelle M Reeves

(74) *Attorney, Agent, or Firm* — Pai Patent & Trademark Law Firm; Chao-Chang David Pai

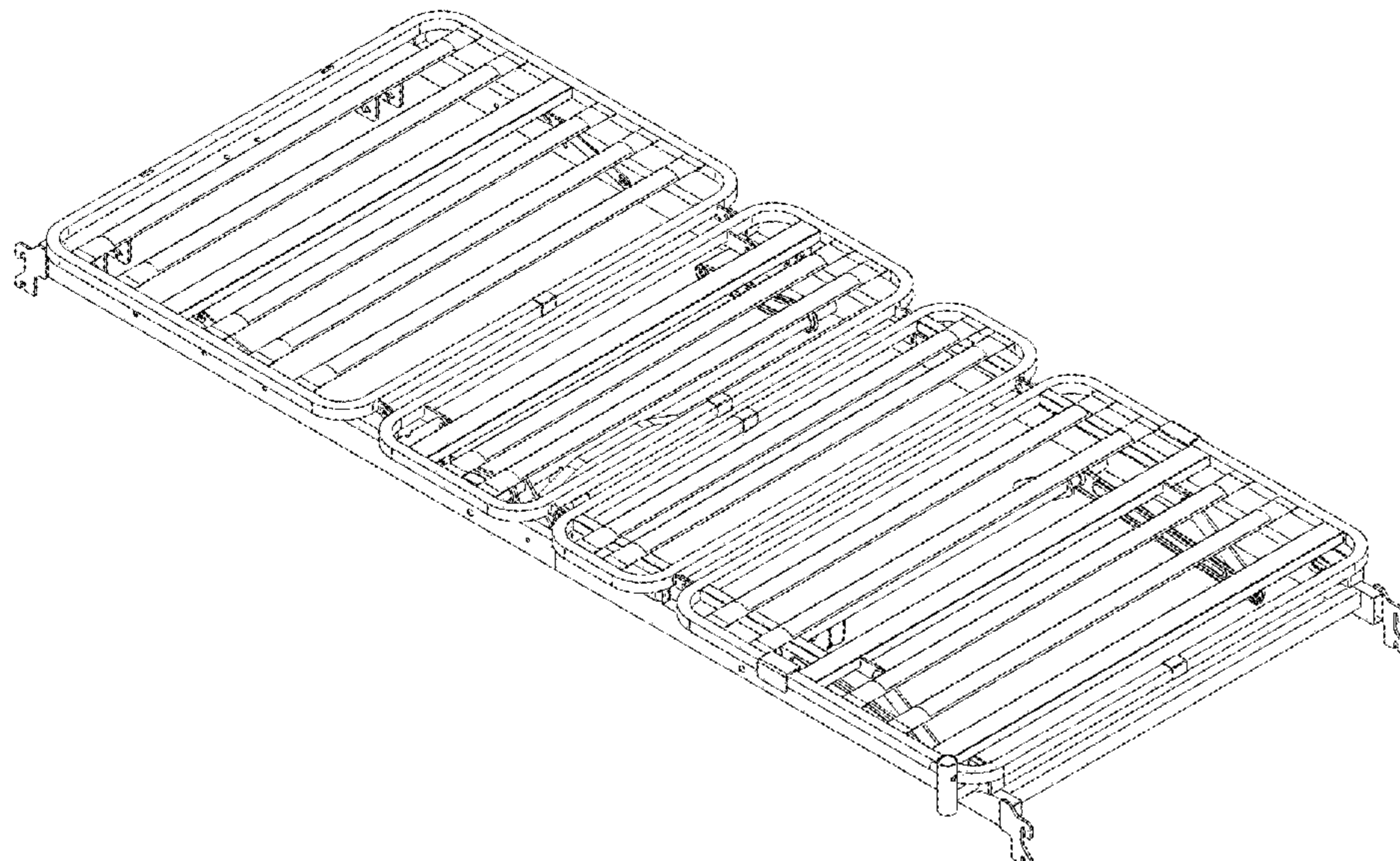
(57) **CLAIM**

The ornamental design for a bed frame for hospital bed, as shown.

DESCRIPTION

FIG. 1 is a perspective view from the top of a bed frame for hospital bed showing my new design;
FIG. 2 is a front elevational view thereof;
FIG. 3 is a rear elevational view thereof;
FIG. 4 is a top plan view thereof;
FIG. 5 is a bottom plan view thereof;
FIG. 6 is a left side elevational view thereof;
FIG. 7 is a right side elevational view thereof; and,
FIG. 8 is a perspective view from the bottom thereof.

1 Claim, 6 Drawing Sheets



(56)

References Cited

U.S. PATENT DOCUMENTS

2021/0379970 A1* 12/2021 He B60J 10/27

* cited by examiner

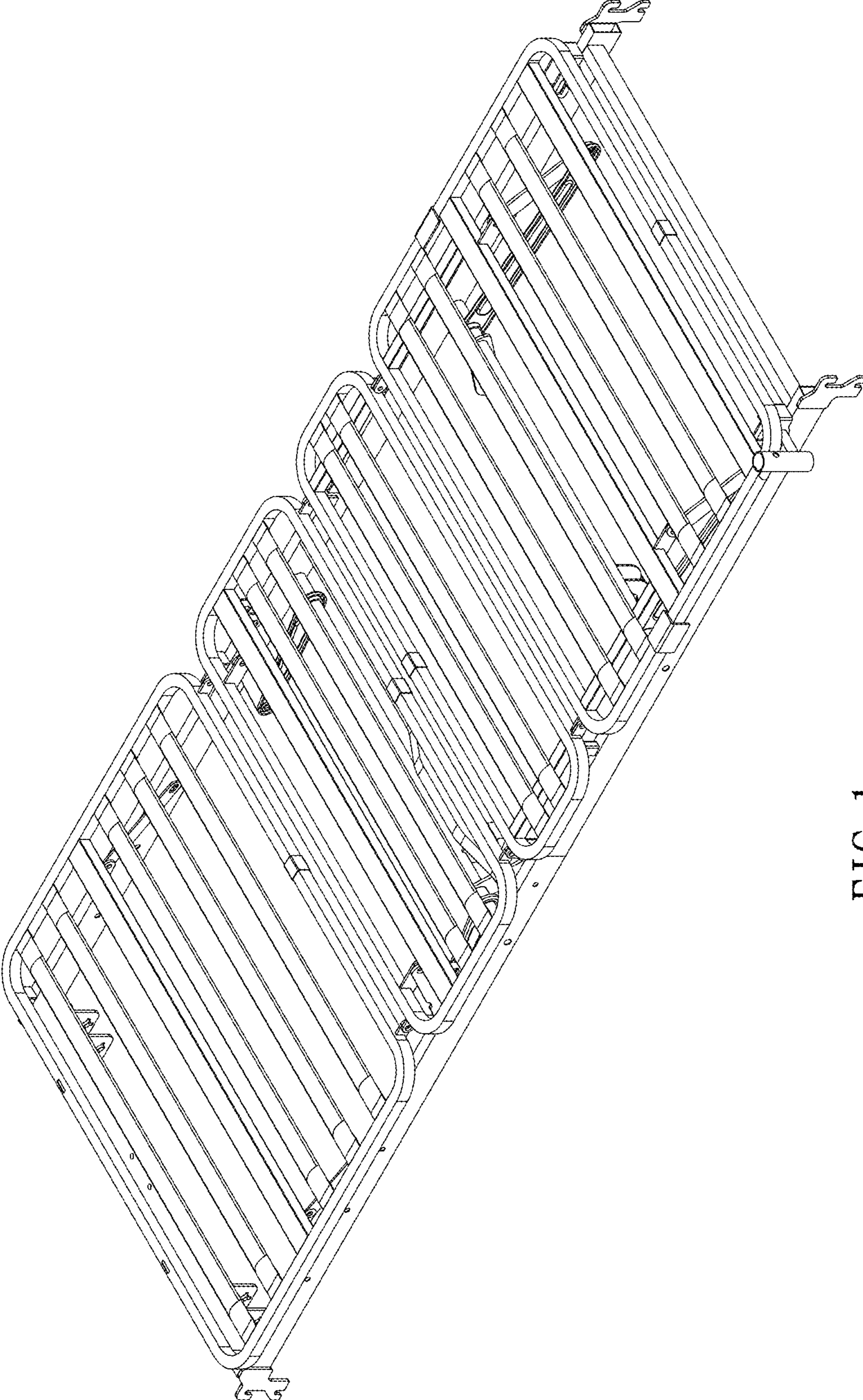


FIG. 1

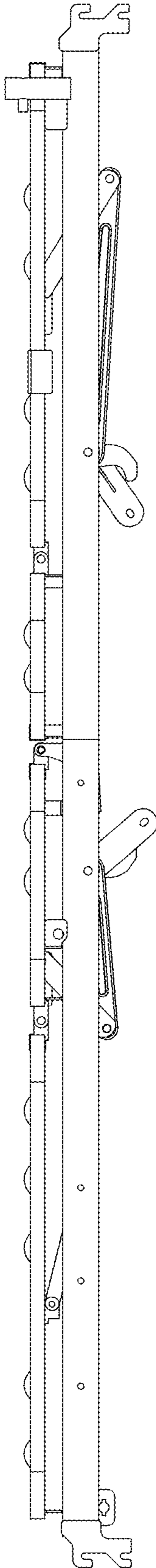


FIG. 2

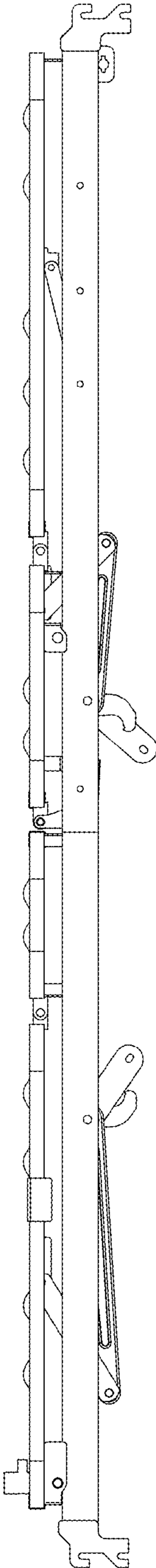


FIG. 3

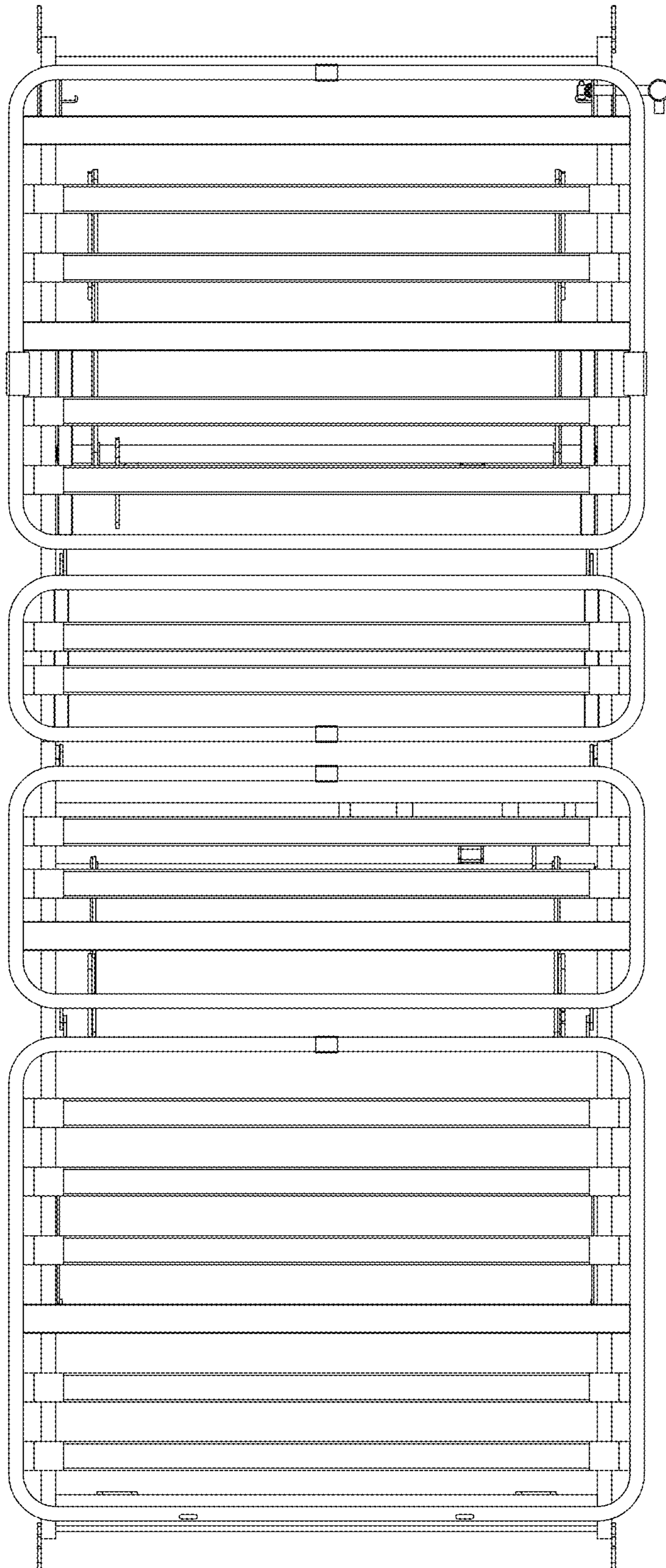


FIG. 4

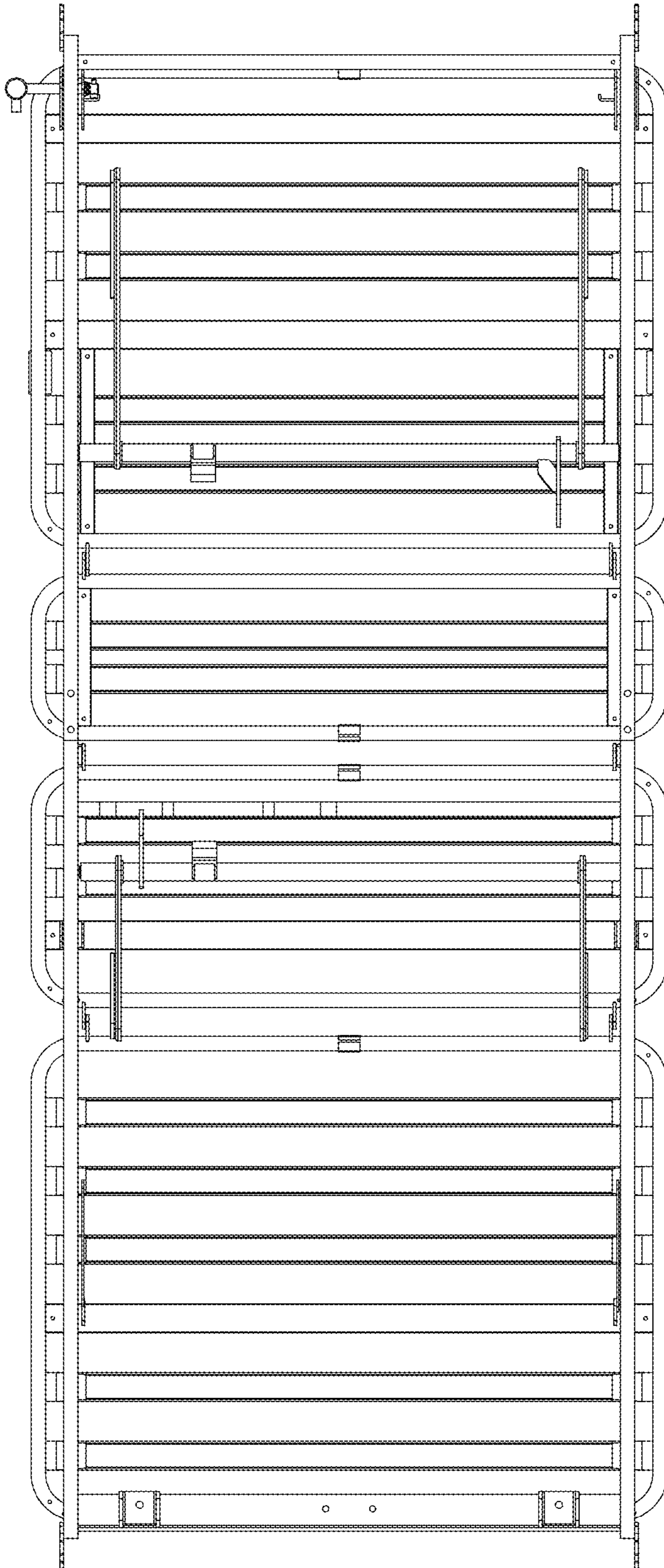


FIG. 5

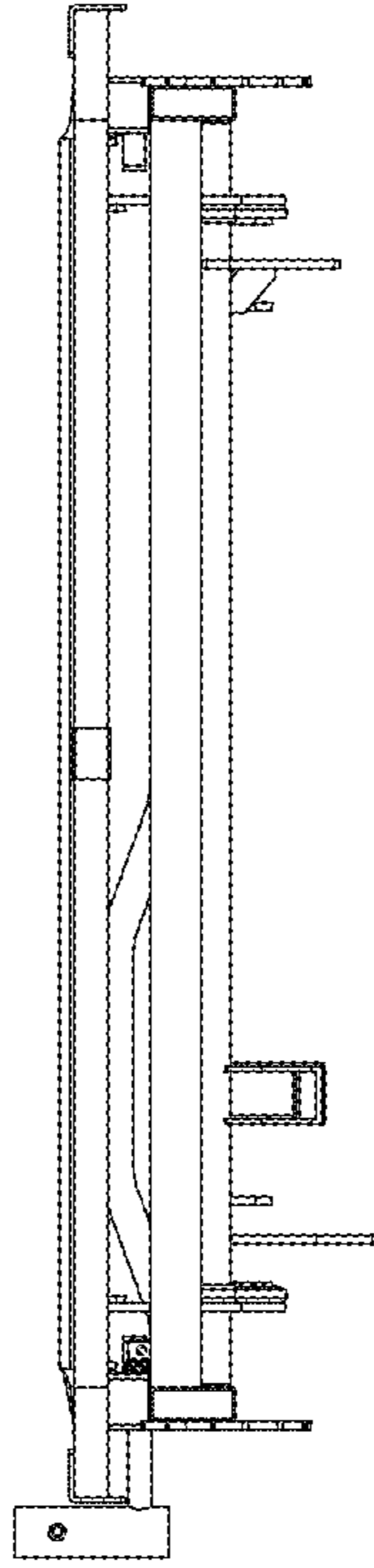


FIG. 6

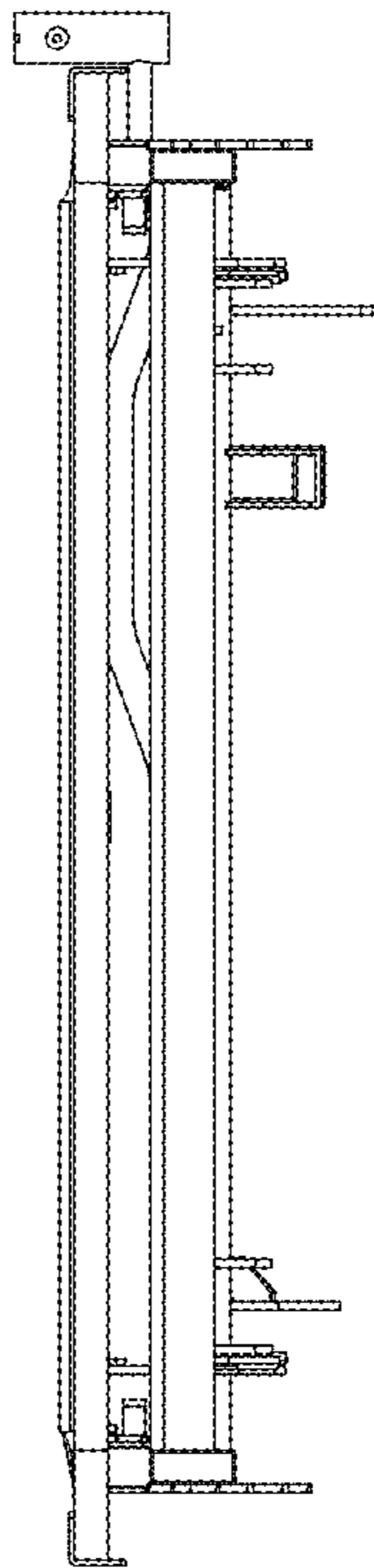


FIG. 7

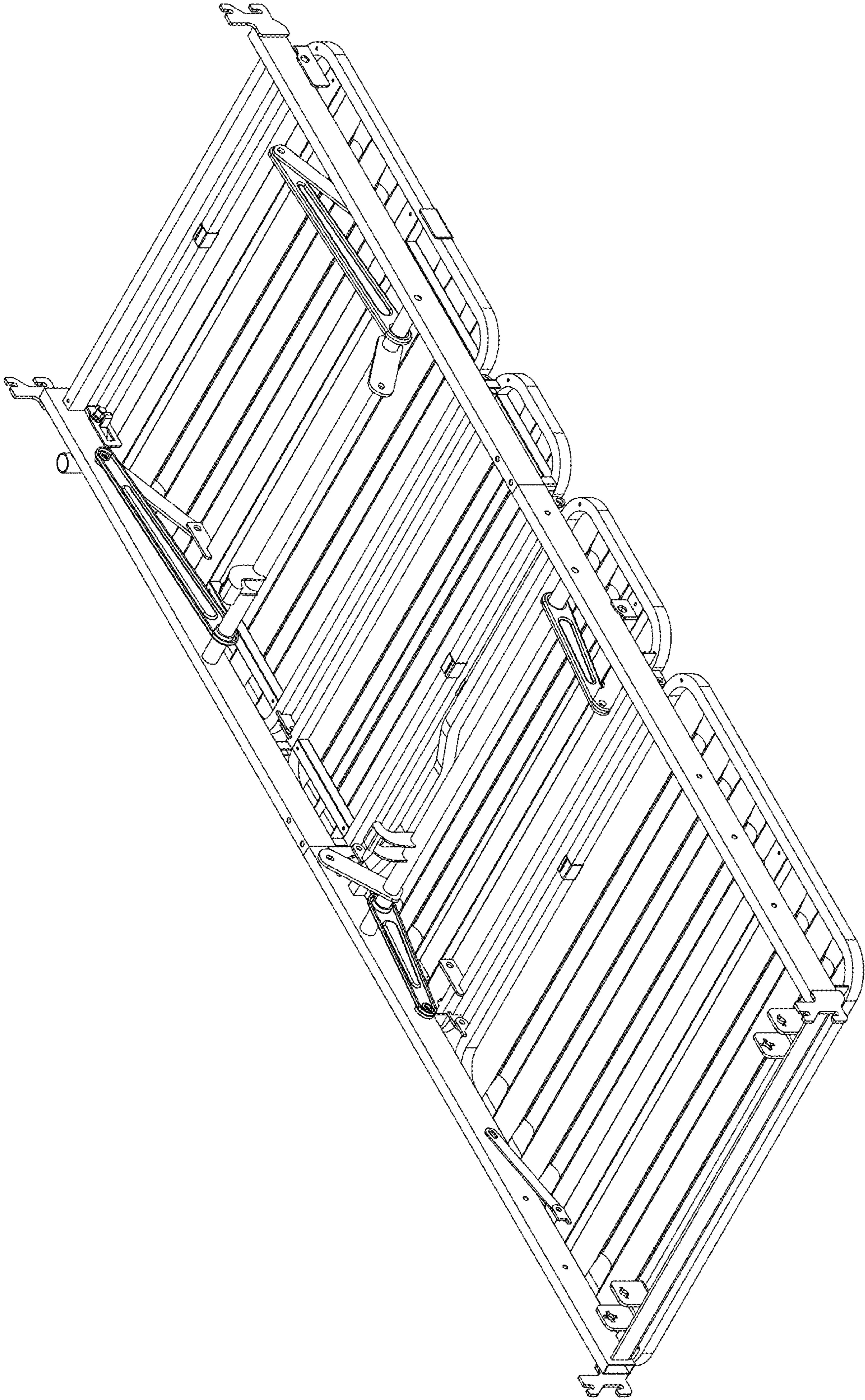


FIG. 8