



US00D950258S

(12) **United States Design Patent**
Feng

(10) **Patent No.:** **US D950,258 S**

(45) **Date of Patent:** **** May 3, 2022**

(54) **SWIVEL CHAIR**

(71) Applicant: **Zhejiang Sharing Space Technology Co., Ltd.**, Hangzhou (CN)

(72) Inventor: **Xiaowei Feng**, Hangzhou (CN)

(73) Assignee: **Zhejiang Sharing Space Technology Co., Ltd.**, Hangzhou (CN)

(**) Term: **15 Years**

(21) Appl. No.: **29/744,949**

(22) Filed: **Aug. 3, 2020**

(51) **LOC (13) Cl.** **06-01**

(52) **U.S. Cl.**
USPC **D6/366**

(58) **Field of Classification Search**
USPC D6/334, 366, 367, 372, 373, 374, 379,
D6/380, 716.1, 716.4
CPC A47C 1/02; A47C 1/022; A47C 1/024;
A47C 3/12; A47C 3/18; A47C 3/026;
A47C 7/18; A47C 7/36; A47C 7/40;
A47C 7/46

See application file for complete search history.

(56) **References Cited**

U.S. PATENT DOCUMENTS

D695,538 S * 12/2013 Geelen D6/366
D781,604 S * 3/2017 Smith D6/366

D801,717 S * 11/2017 Barber D6/366
D863,802 S * 10/2019 Wang D6/366
D908,381 S * 1/2021 Breen D6/366
D913,004 S * 3/2021 Chen D6/366
D931,640 S * 9/2021 Feng D6/366
D936,984 S * 11/2021 Deevers D6/366
D936,985 S * 11/2021 Deevers D6/366
D937,595 S * 12/2021 Deevers D6/366

* cited by examiner

Primary Examiner — R. Johnson

(74) *Attorney, Agent, or Firm* — Bayramoglu Law Offices LLC

(57) **CLAIM**

The ornamental design for a swivel chair, as shown and described.

DESCRIPTION

FIG. 1 is a front perspective view of a swivel chair showing my new design;

FIG. 2 is a rear view thereof;

FIG. 3 is a front view thereof;

FIG. 4 is a left side view thereof;

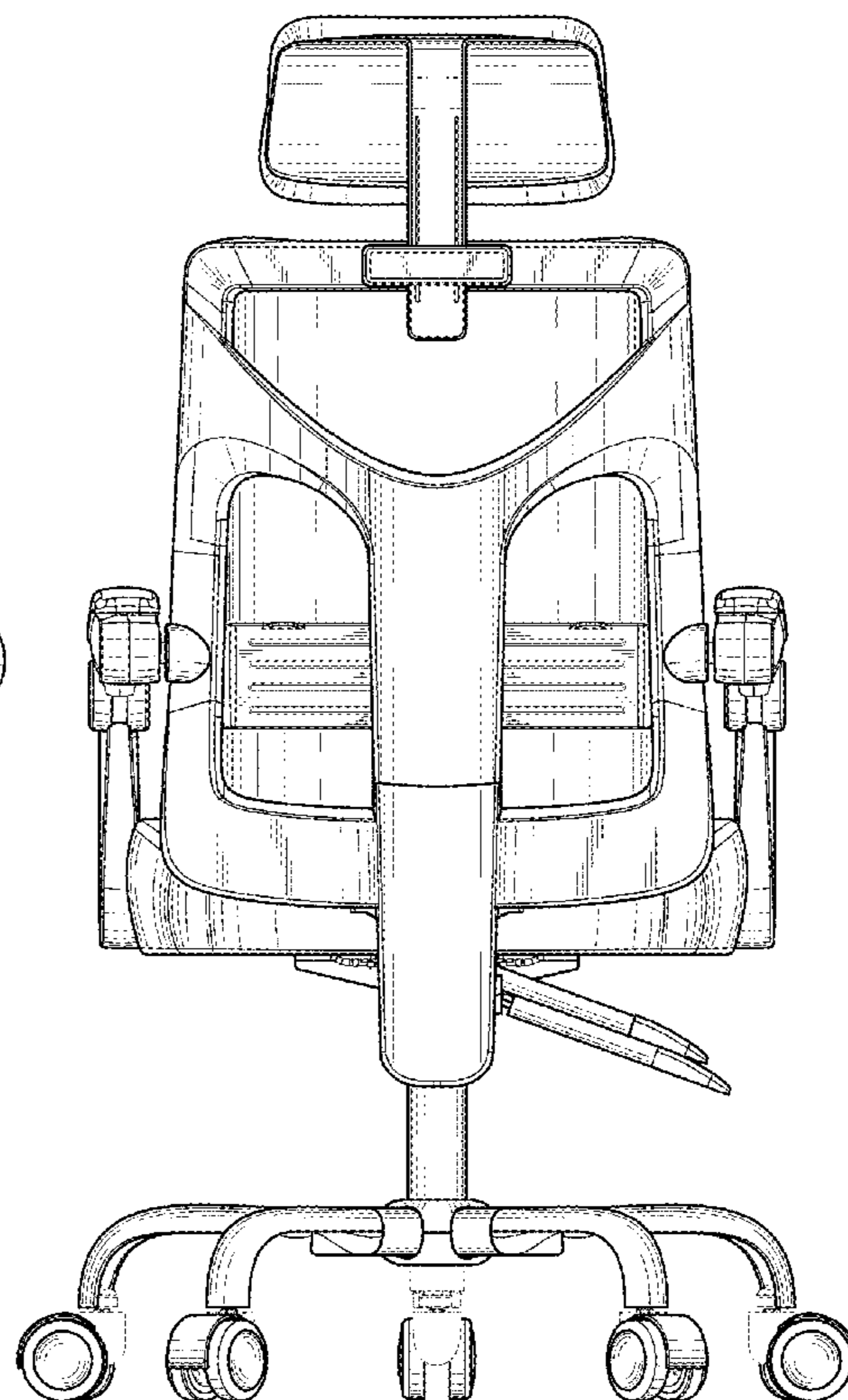
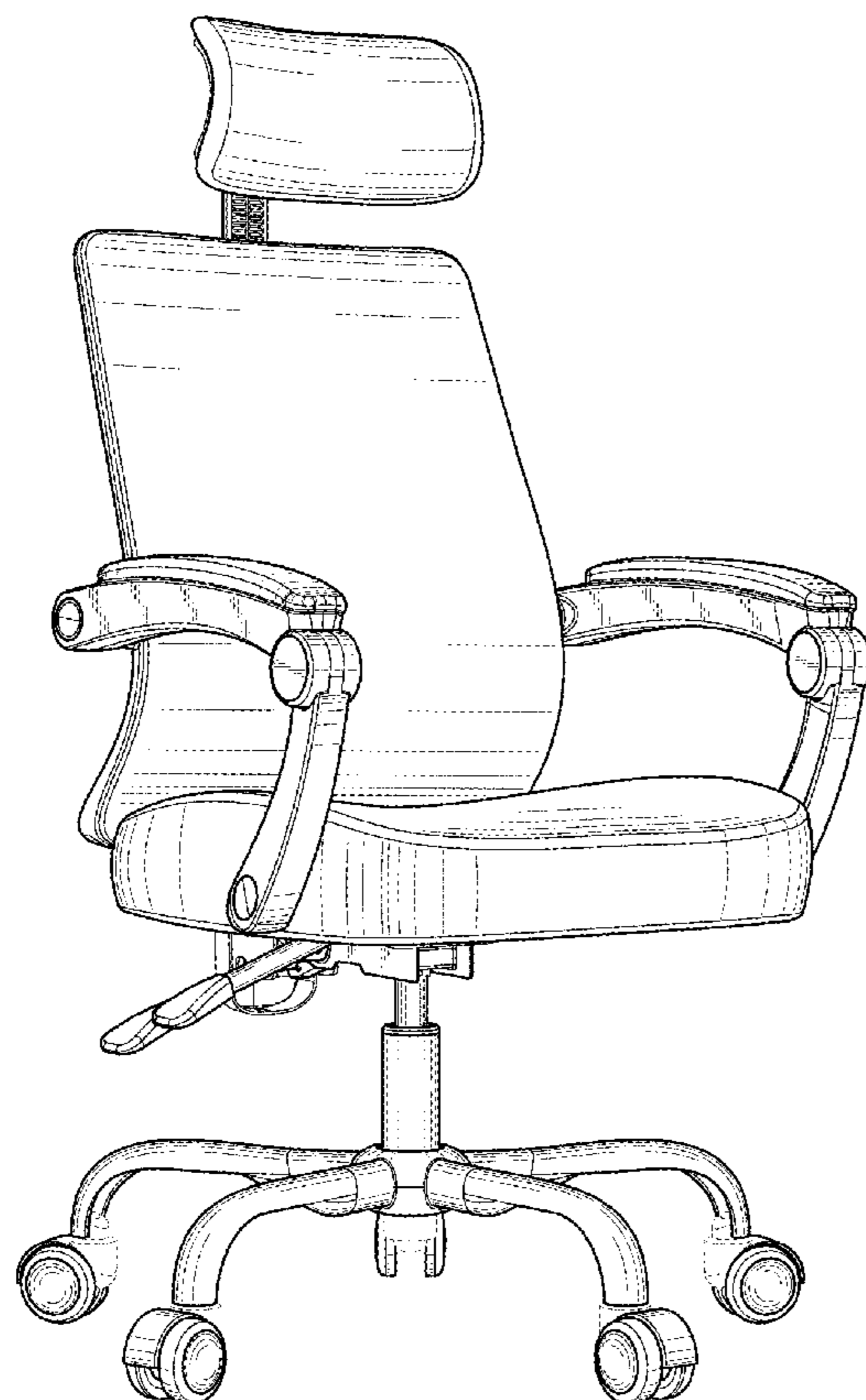
FIG. 5 is a right side view thereof;

FIG. 6 is a top view thereof; and,

FIG. 7 is a bottom view thereof.

The broken lines shown in the drawings are for the purpose of illustrating portions of the swivel chair that form no part of the claimed design.

1 Claim, 7 Drawing Sheets



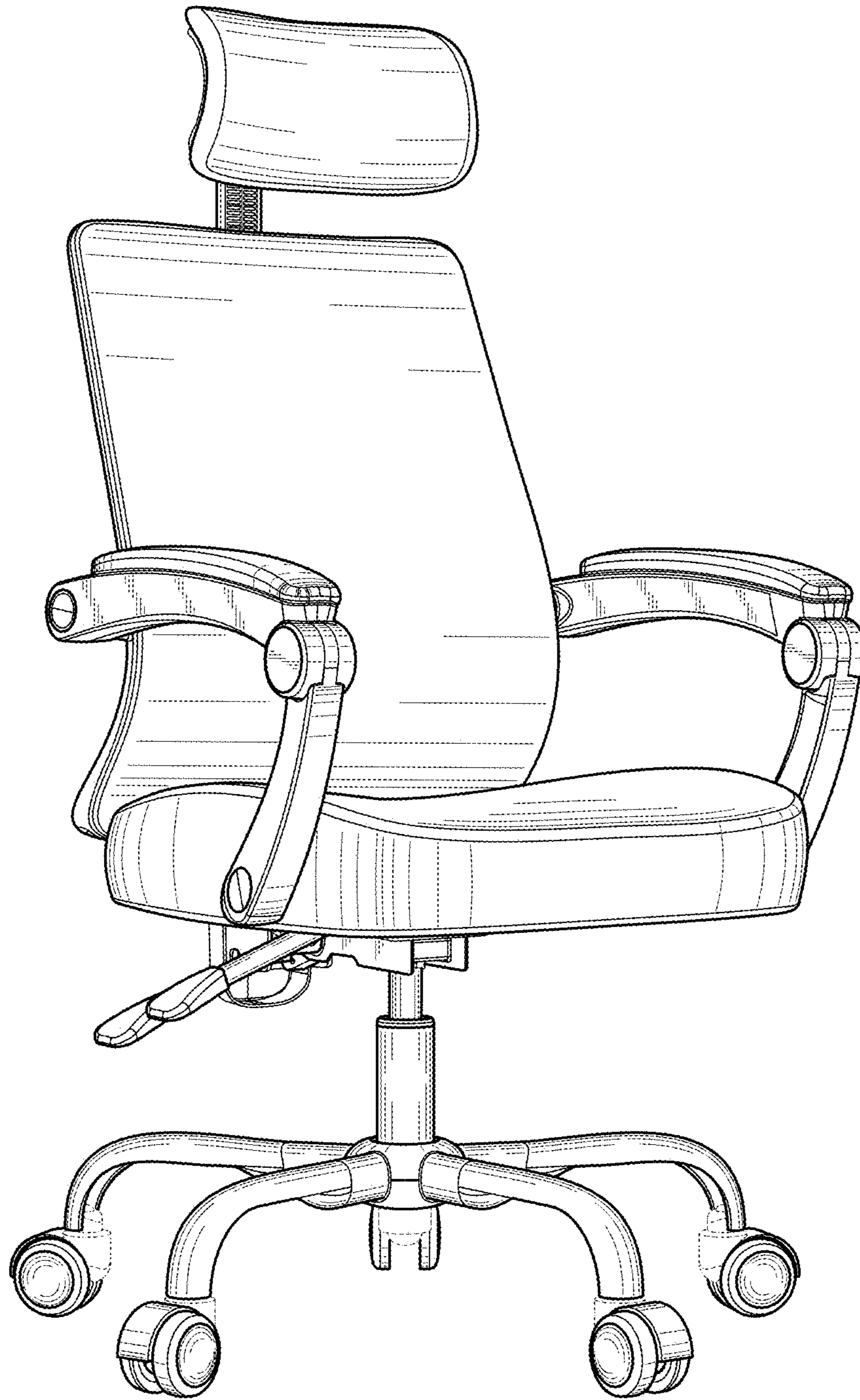


FIG. 1

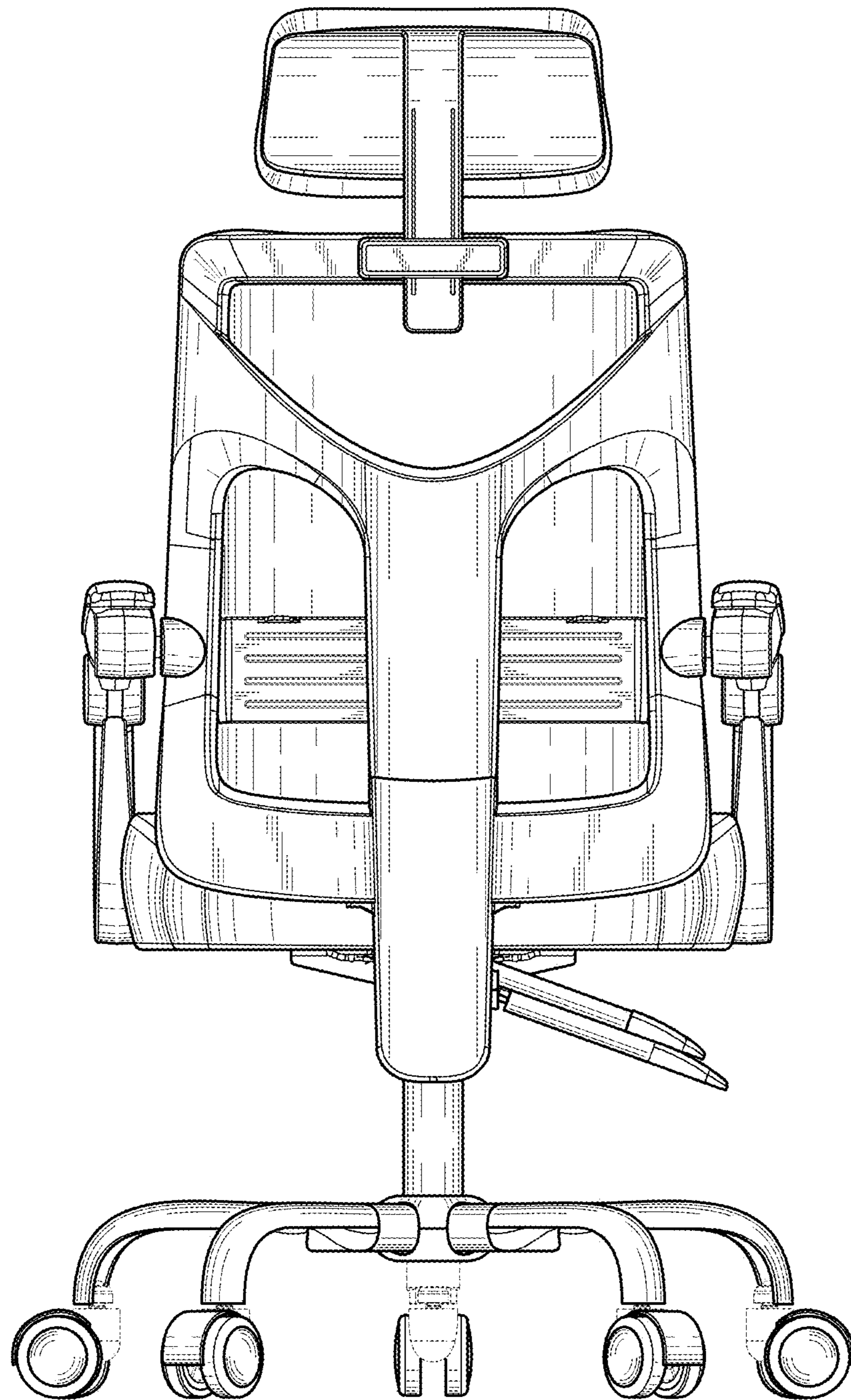


FIG. 2

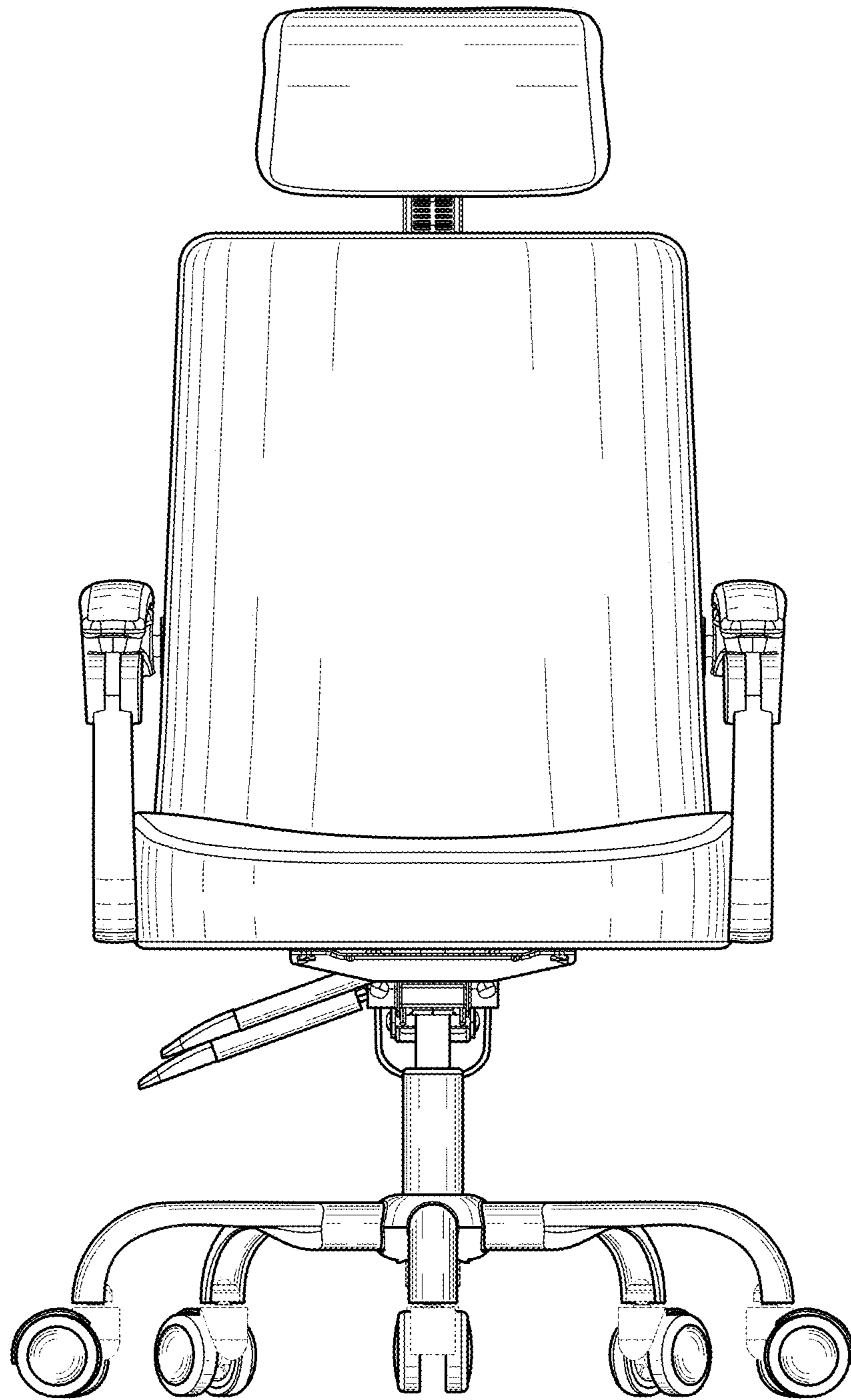


FIG. 3

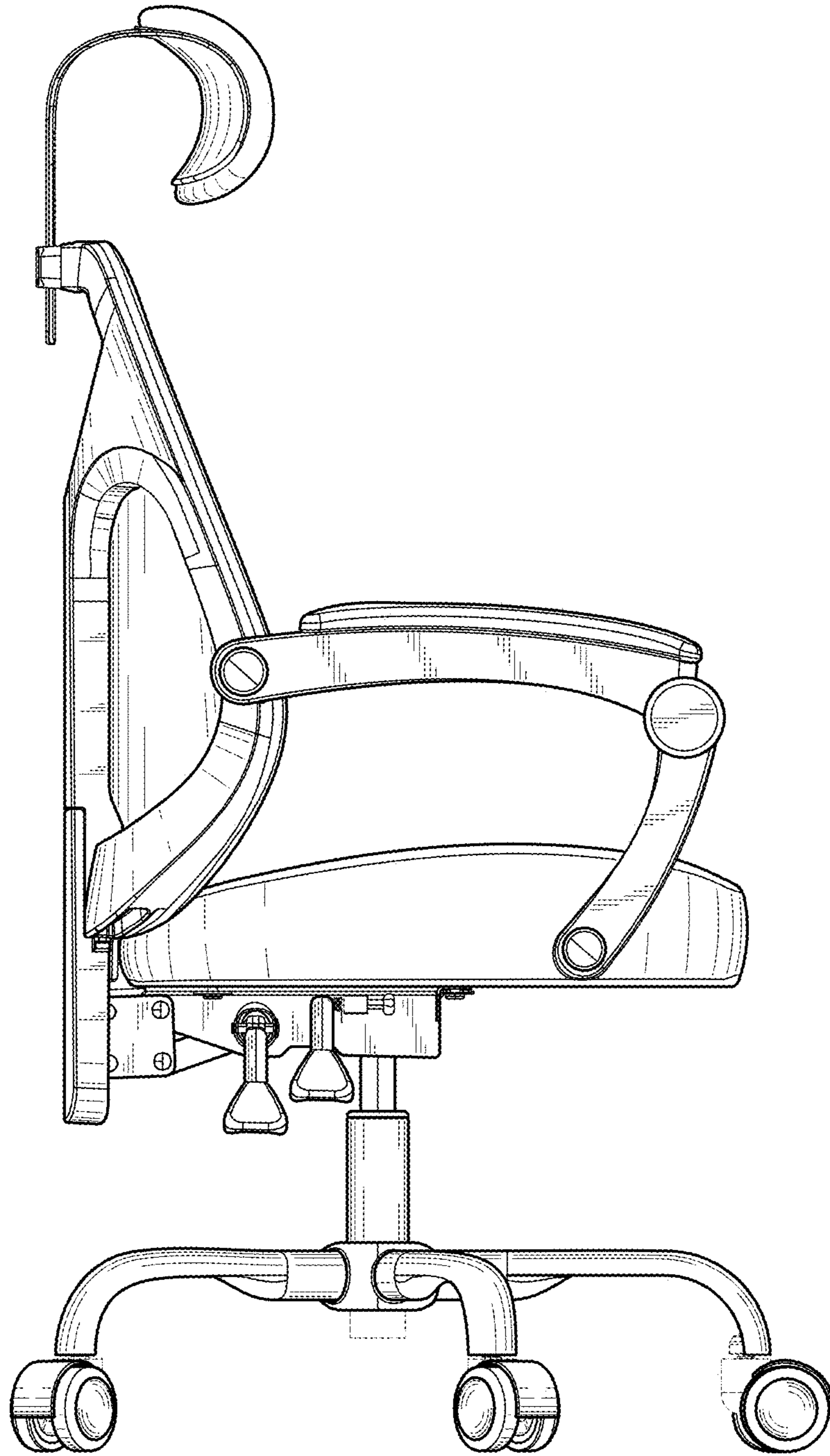


FIG. 4

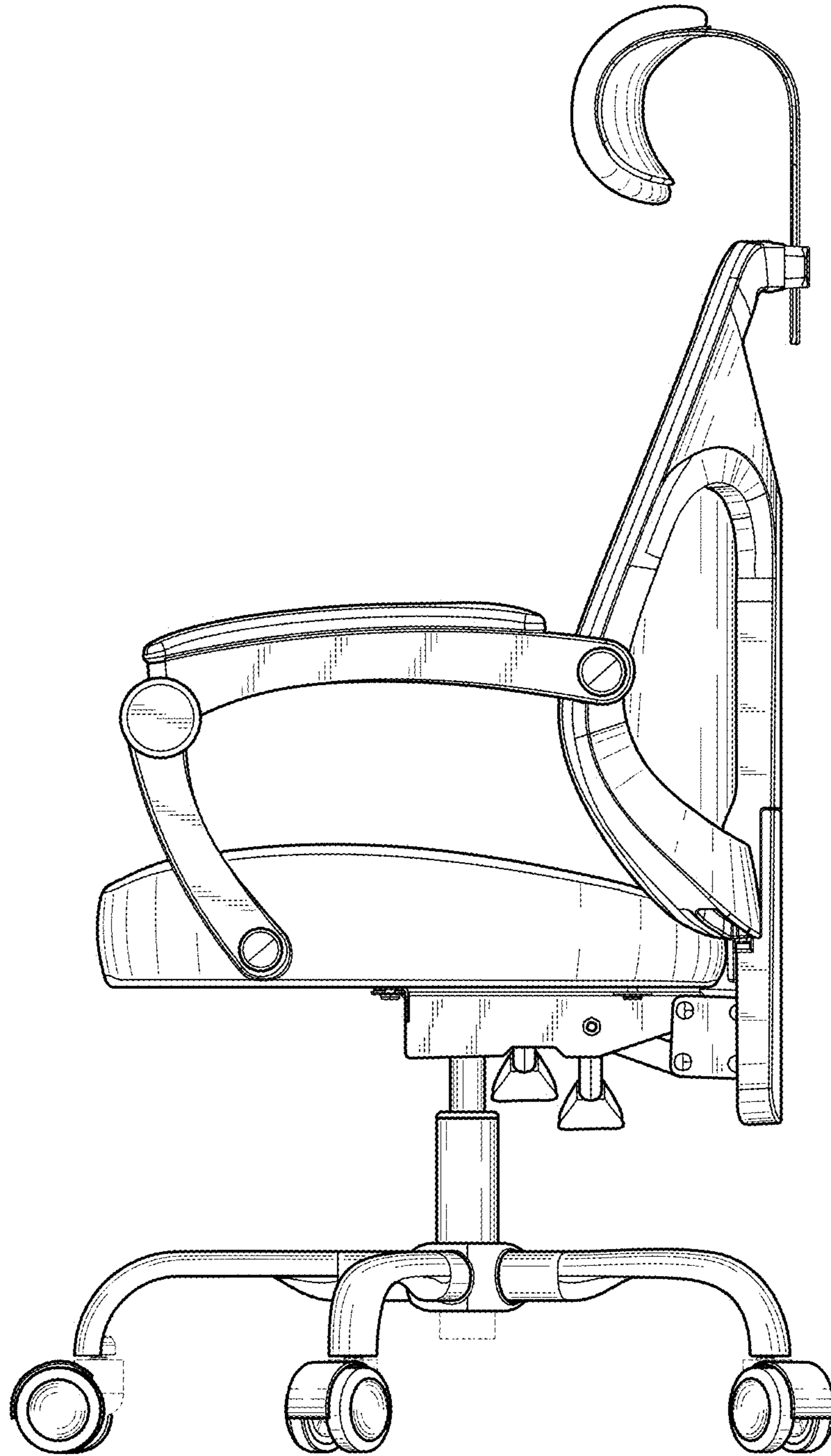


FIG. 5

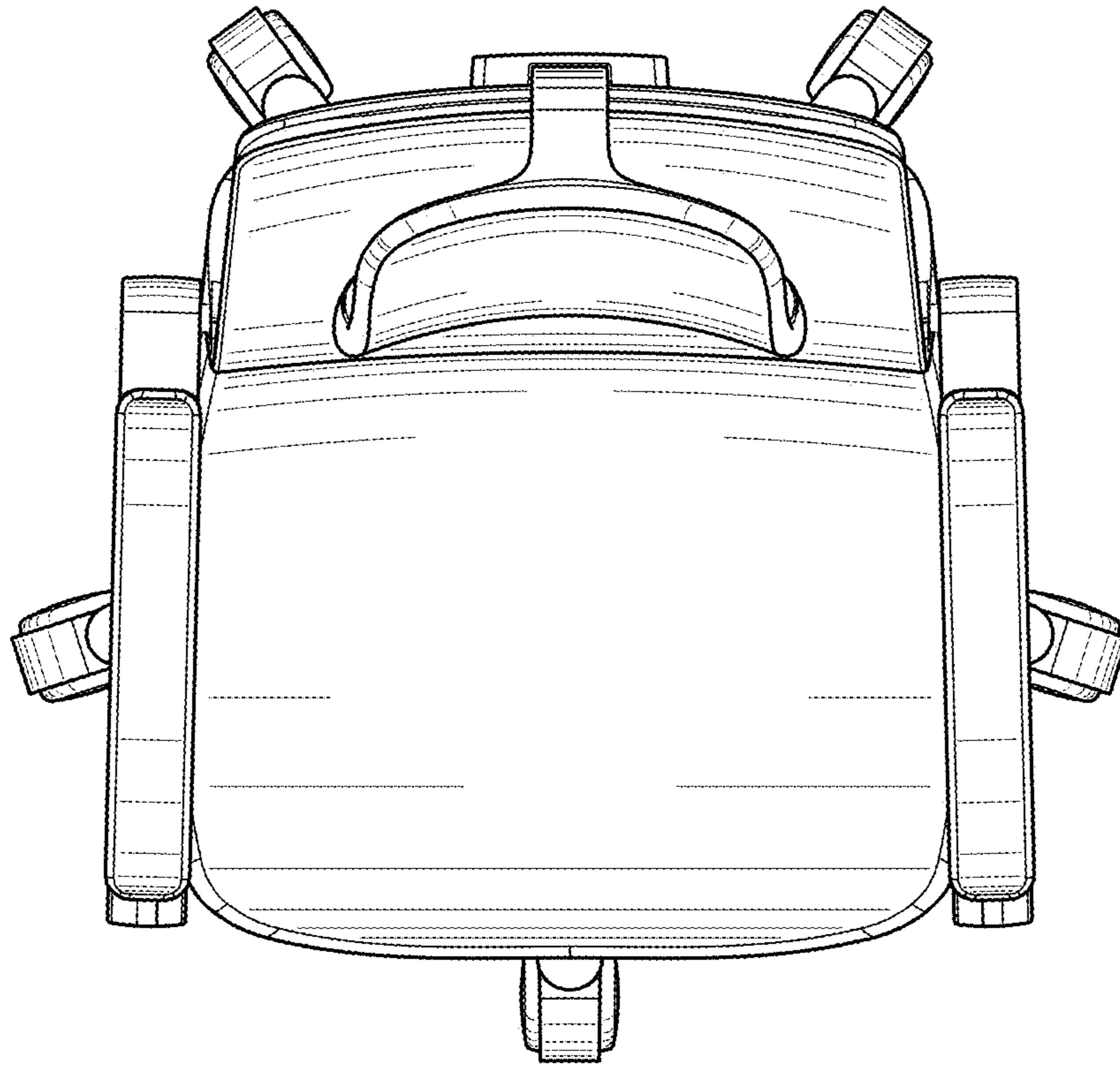


FIG. 6

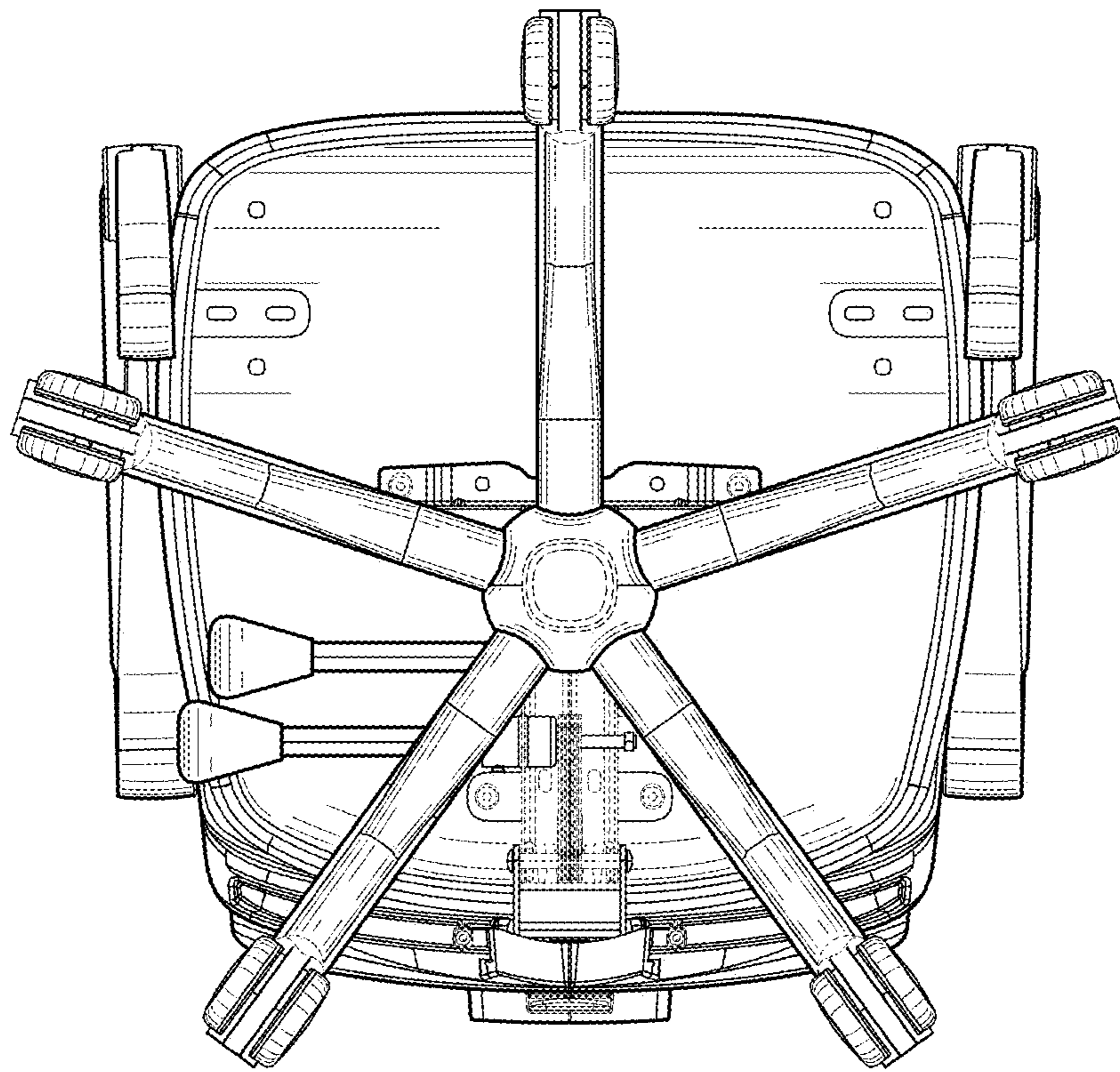


FIG. 7