



US00D950257S

(12) **United States Design Patent** (10) **Patent No.:** **US D950,257 S**  
**Li** (45) **Date of Patent:** **\*\* May 3, 2022**

(54) **BOAT SEAT**

(71) Applicant: **Xiamen Yundai Outdoor Products Co., Ltd.**, Xiamen (CN)

(72) Inventor: **Rong Li**, Xiamen (CN)

(\*\*) Term: **15 Years**

(21) Appl. No.: **29/787,390**

(22) Filed: **Jun. 7, 2021**

(51) **LOC (13) Cl.** ..... **06-01**

(52) **U.S. Cl.**  
USPC ..... **D6/356**

(58) **Field of Classification Search**  
USPC ..... D6/334–336, 356, 364, 367, 368, 374,  
D6/376, 379, 380, 716, 716.1, 716.2,  
D6/716.3, 716.4, 716.5  
CPC . B60N 2/02; B60N 2/20; B60N 2/206; B60N  
2/22; B60N 2/68; B60N 2/99; A47C 7/40;  
A47C 7/16; B63B 29/04; B63B 29/043;  
B63B 29/06

See application file for complete search history.

(56) **References Cited**

**U.S. PATENT DOCUMENTS**

D467,744 S	12/2002	McIntire	
D502,816 S	3/2005	Bellington	
D727,046 S	4/2015	Alexander	
D727,047 S	4/2015	Alexander	
D740,579 S	10/2015	Begin	
D854,842 S	7/2019	Levin	
D878,781 S	3/2020	Monroe	
D914,380 S	3/2021	Levin	
2007/0007805 A1*	1/2007	Garelick	..... B63B 29/04 297/284.1

**OTHER PUBLICATIONS**

Wise Seating—Cruiser/Run-A-Bout Ski Boat Bucket Seat, White, westmarine.com, Retrieved Date: Mar. 7, 2022, p. 1, from https://www.westmarine.com/buy/wise-seating--cruiser-run-a-bout-ski-boat-bucket-seat-white--13805239 (Year: 2022).\*

\* cited by examiner

*Primary Examiner* — Mimosa De

(74) *Attorney, Agent, or Firm* — Rumit Ranjit Kanakia

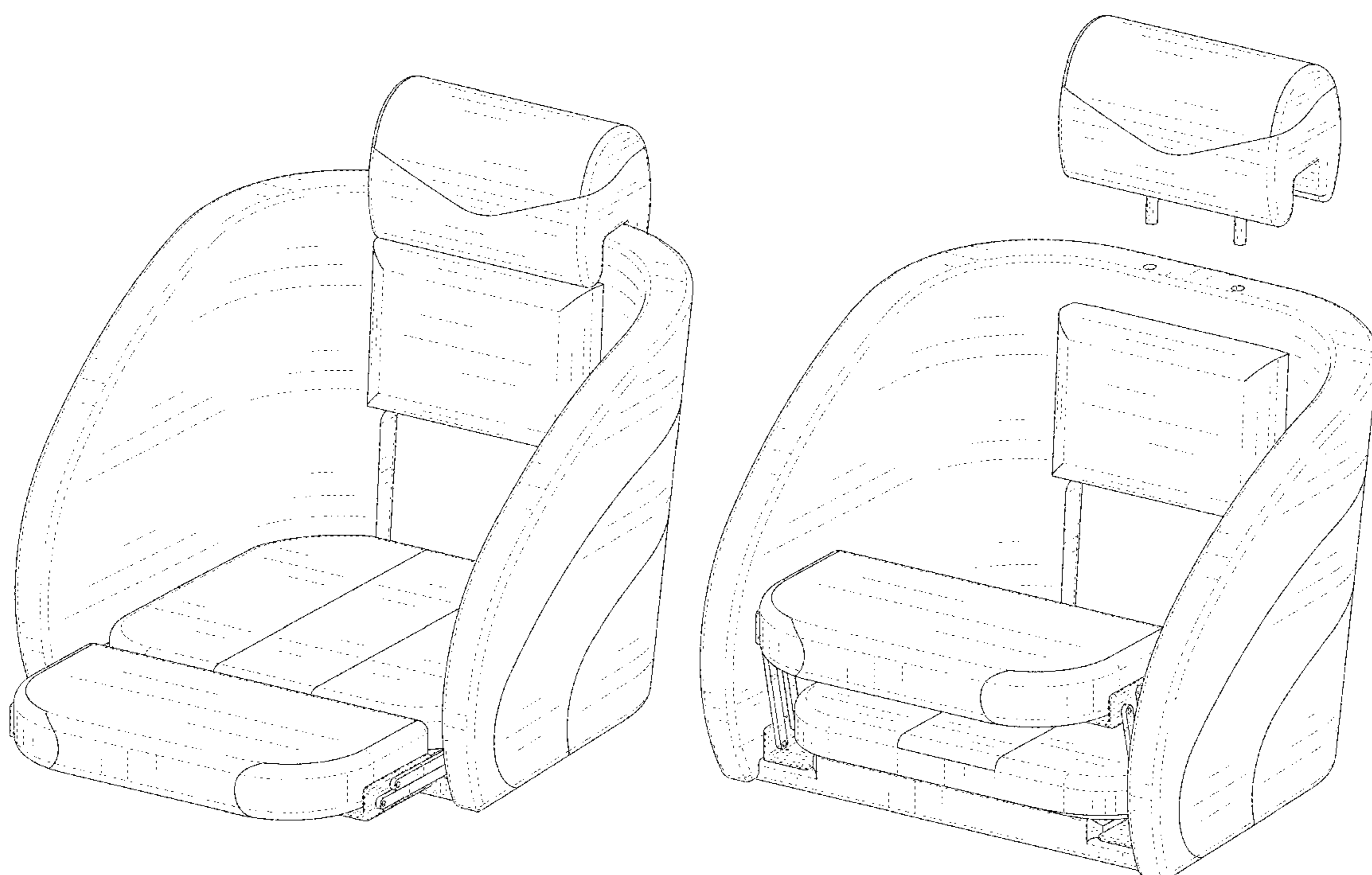
(57) **CLAIM**

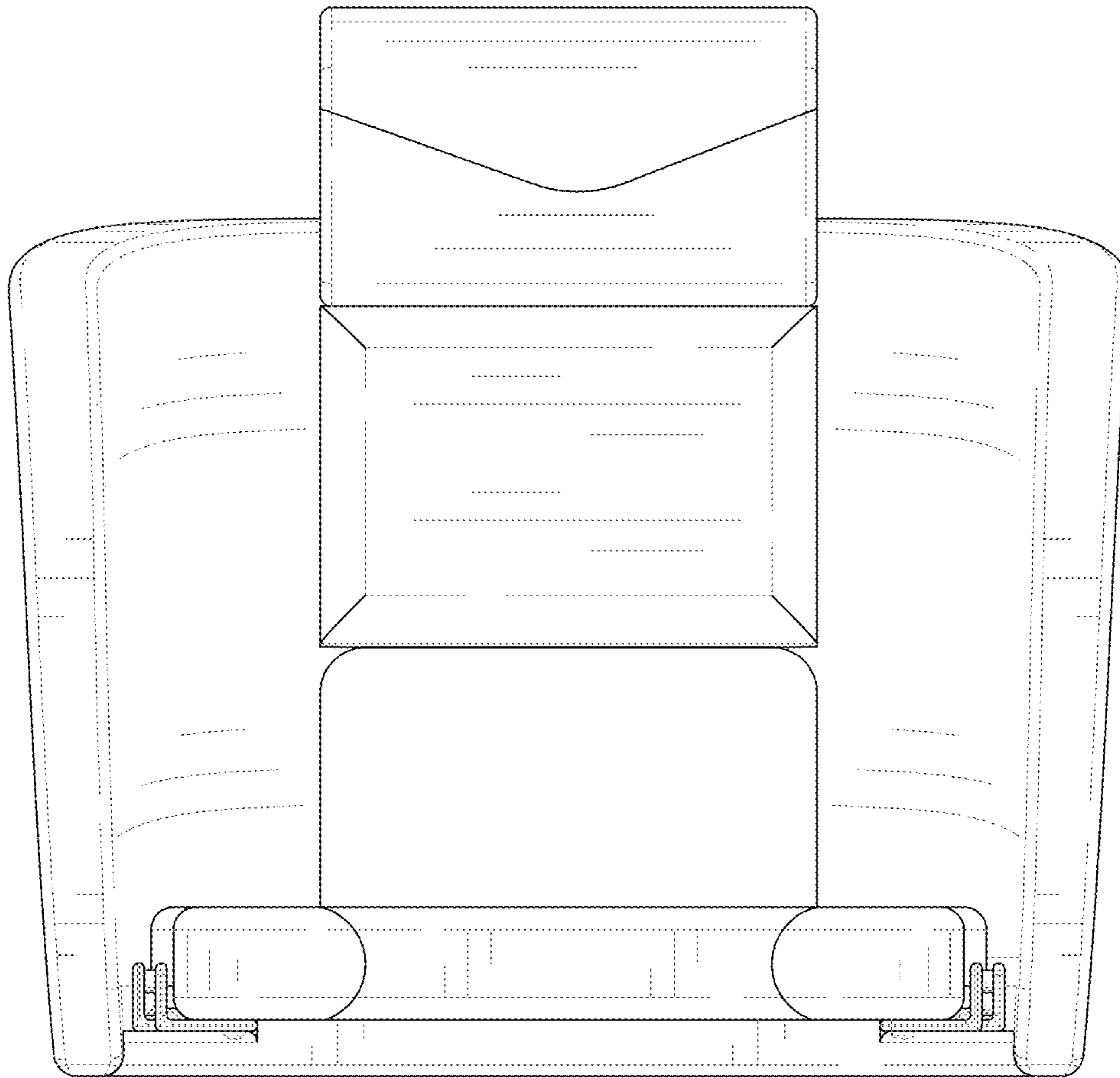
The ornamental design for a boat seat, as shown and described.

**DESCRIPTION**

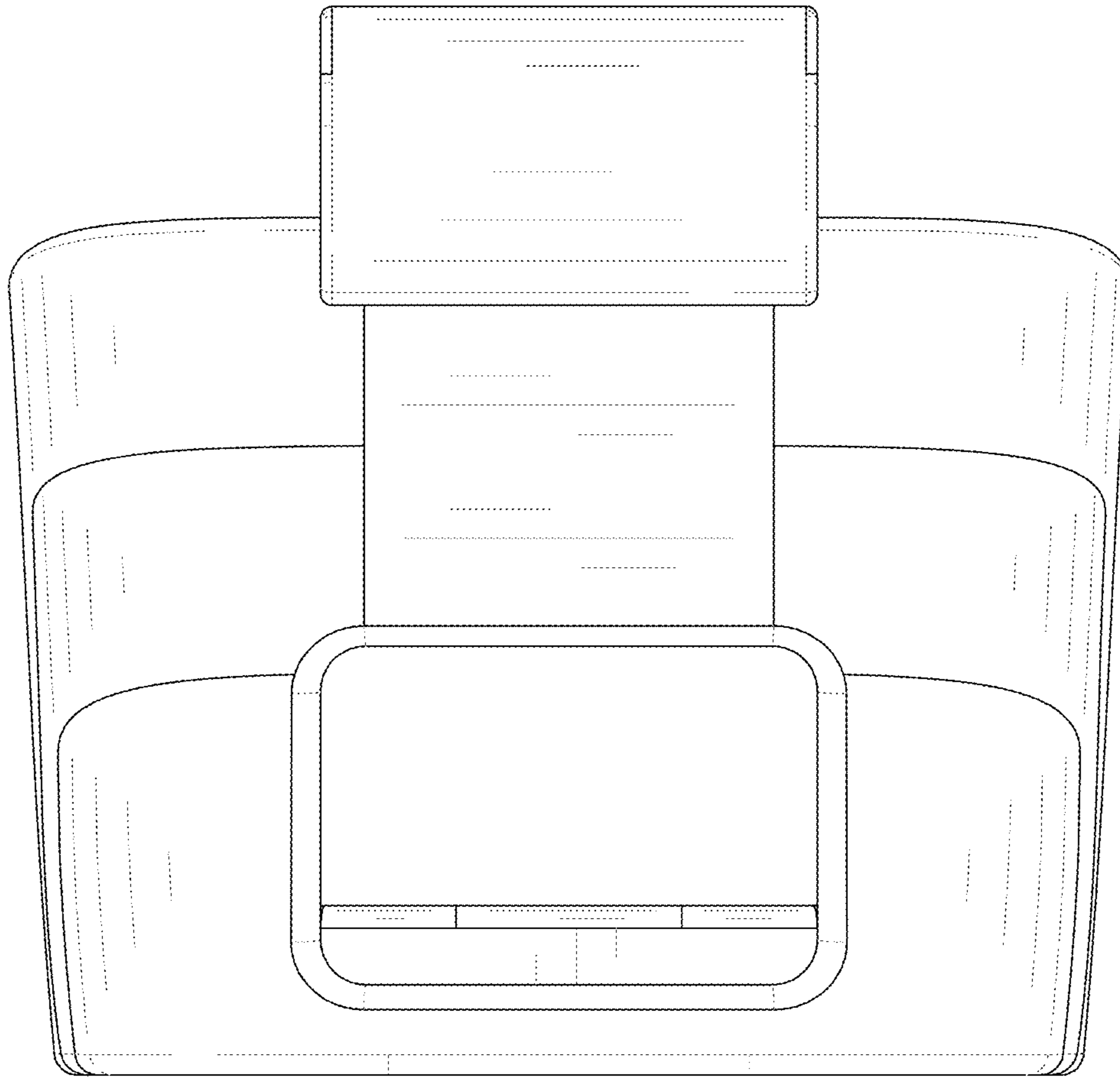
FIG. 1 is a front elevational view of a boat seat showing my new design;  
FIG. 2 is a rear elevational view thereof; and  
FIG. 3 is a left side view thereof;  
FIG. 4 is a right side view thereof;  
FIG. 5 is a top plan view thereof;  
FIG. 6 is a bottom plan view thereof;  
FIG. 7 is a perspective view of a boat seat showing my new design;  
FIG. 8 is another perspective view thereof; and,  
FIG. 9 is a perspective view showing that the headrest of the boat seat is separated from the boat seat, and the cushion of the boat seat is folded.  
The broken lines in the figures are for the purposes of illustrating portions of the boat seat, which form no part of the claimed design.

**1 Claim, 9 Drawing Sheets**

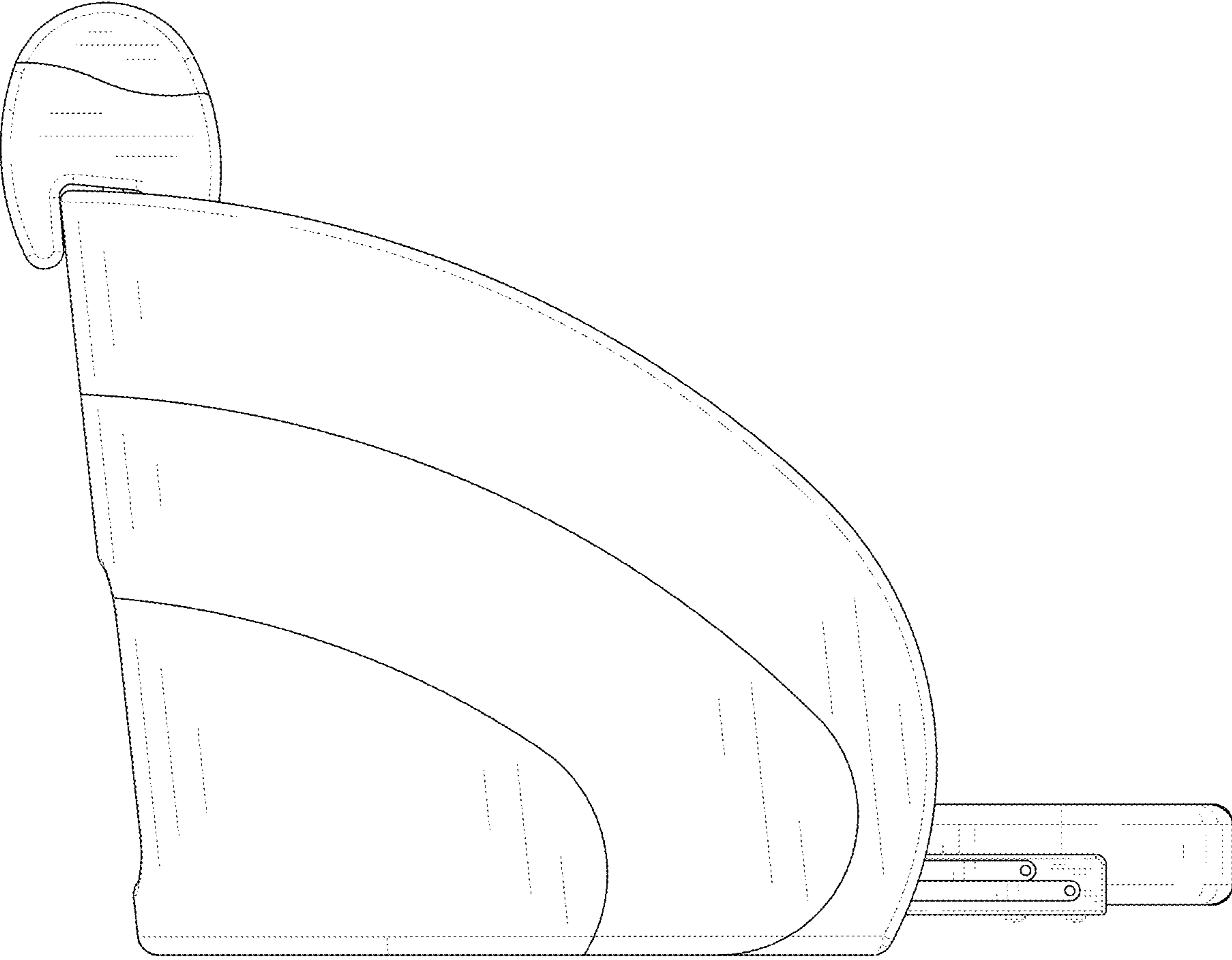




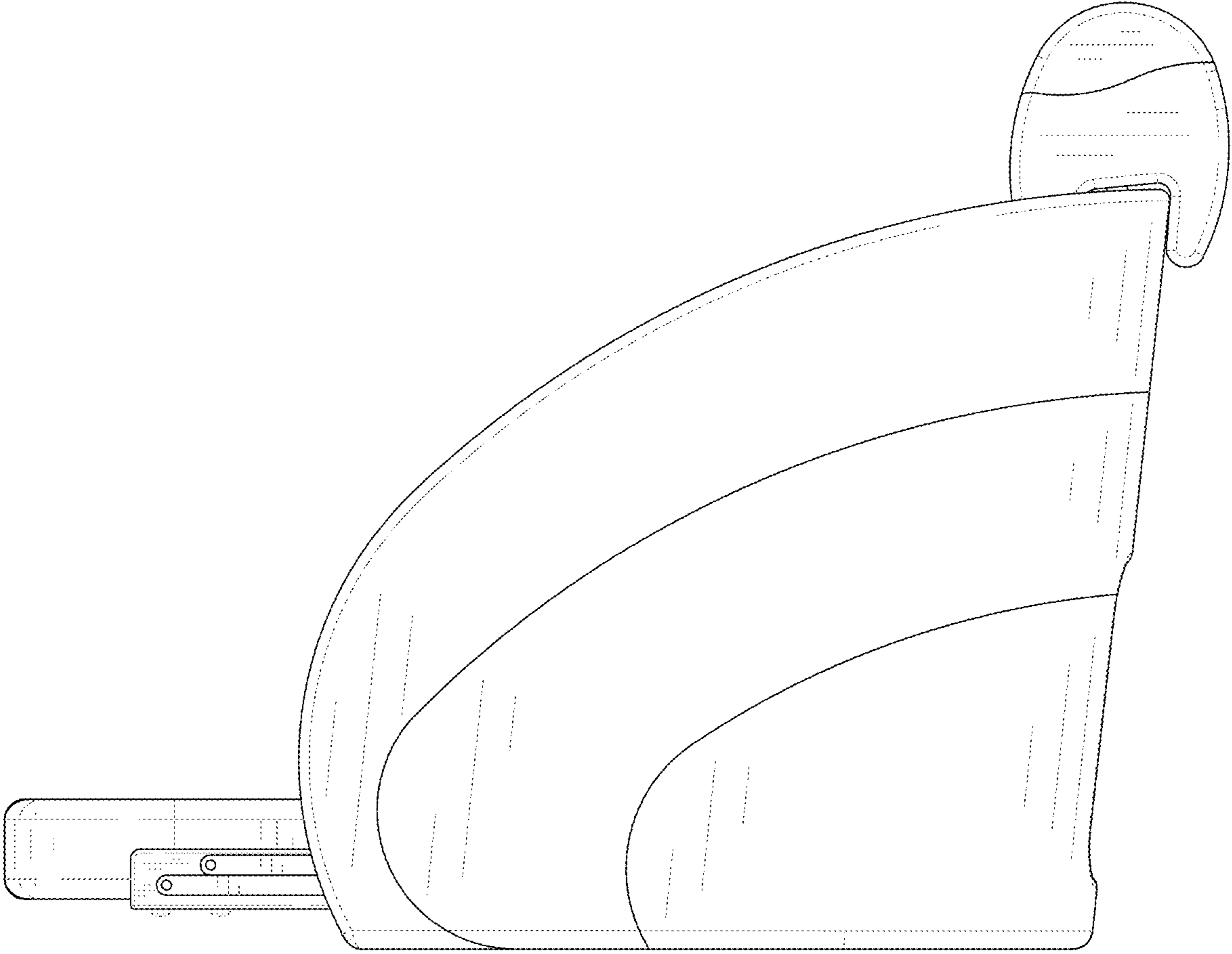
**FIG. 1**



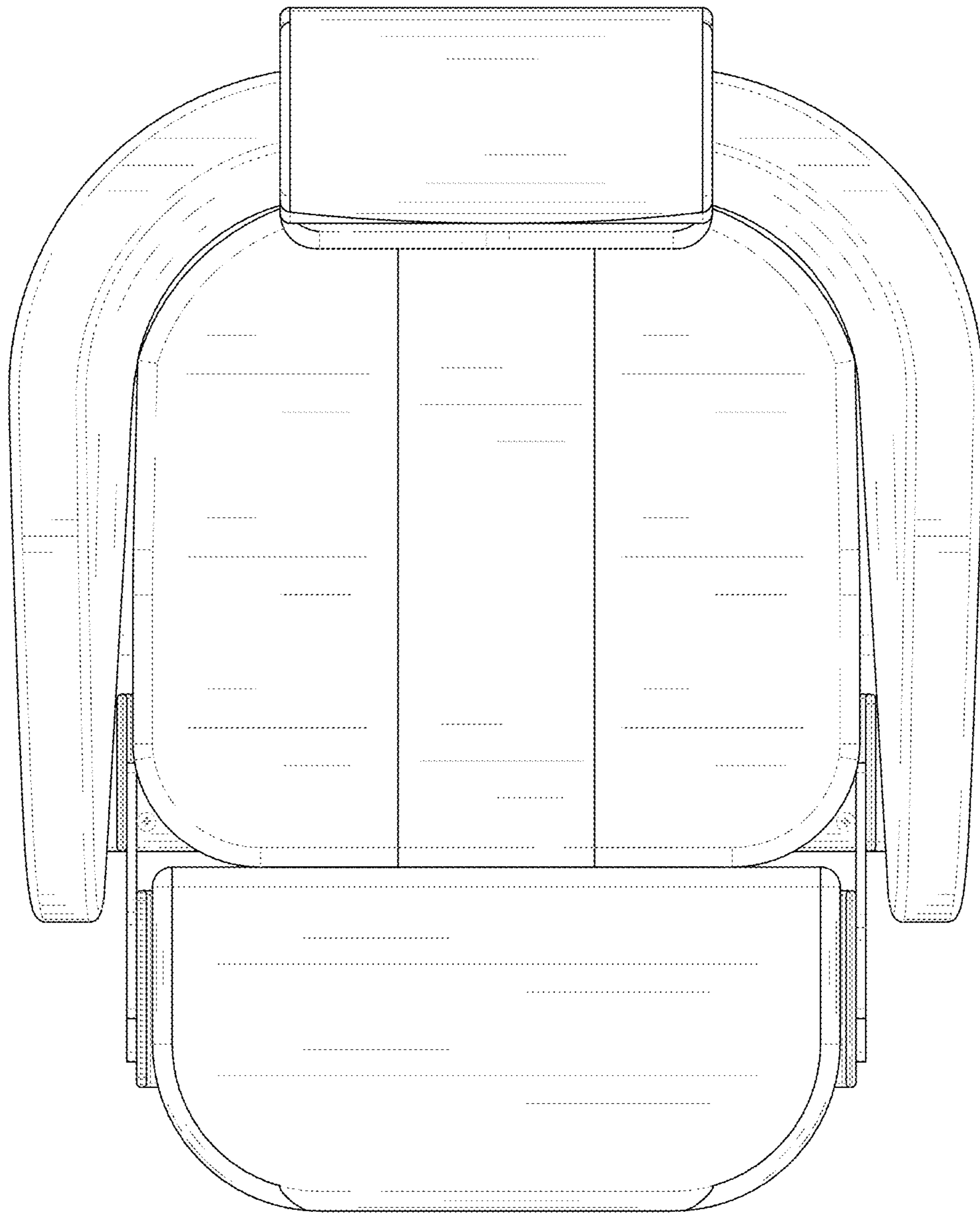
**FIG. 2**



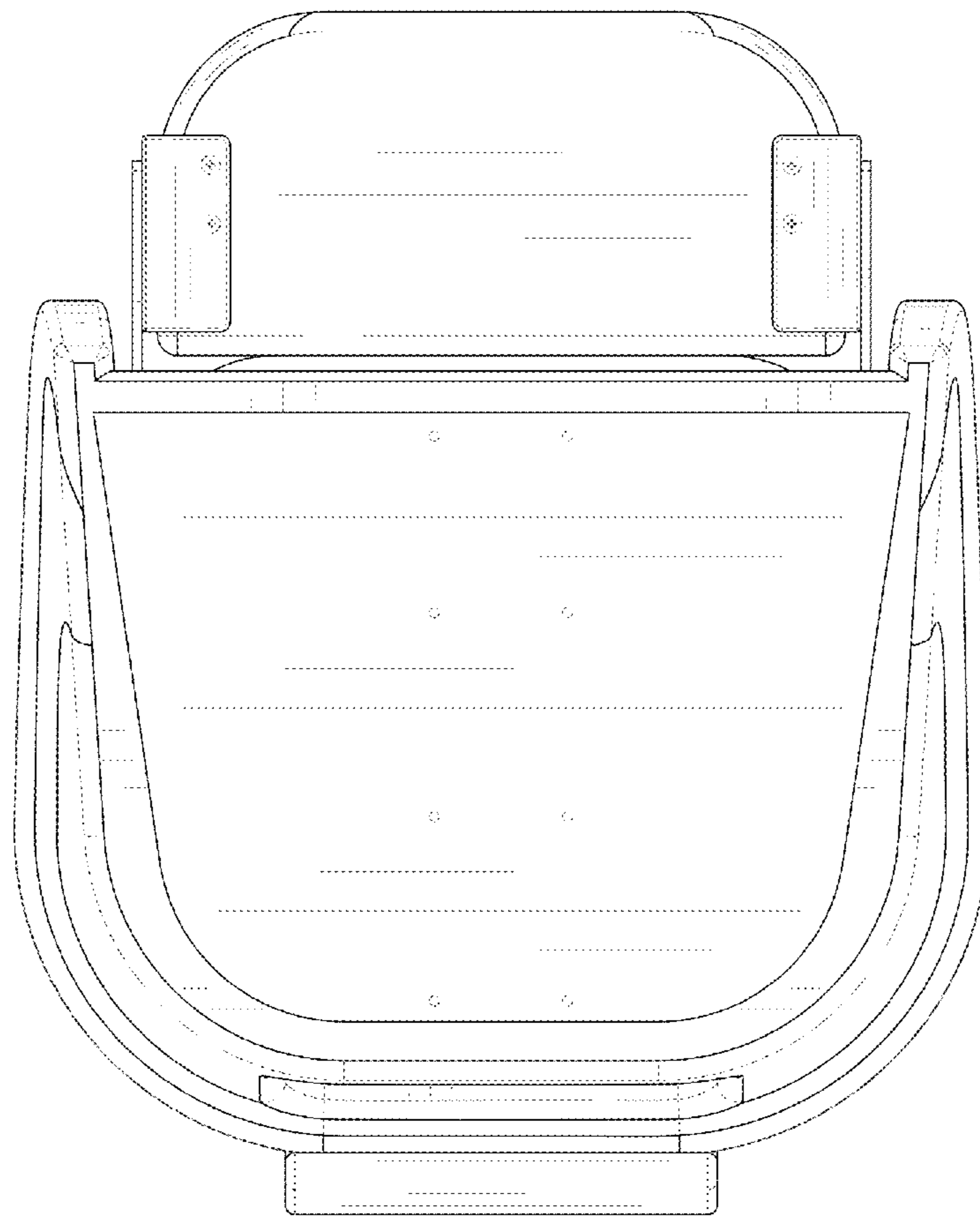
**FIG.3**



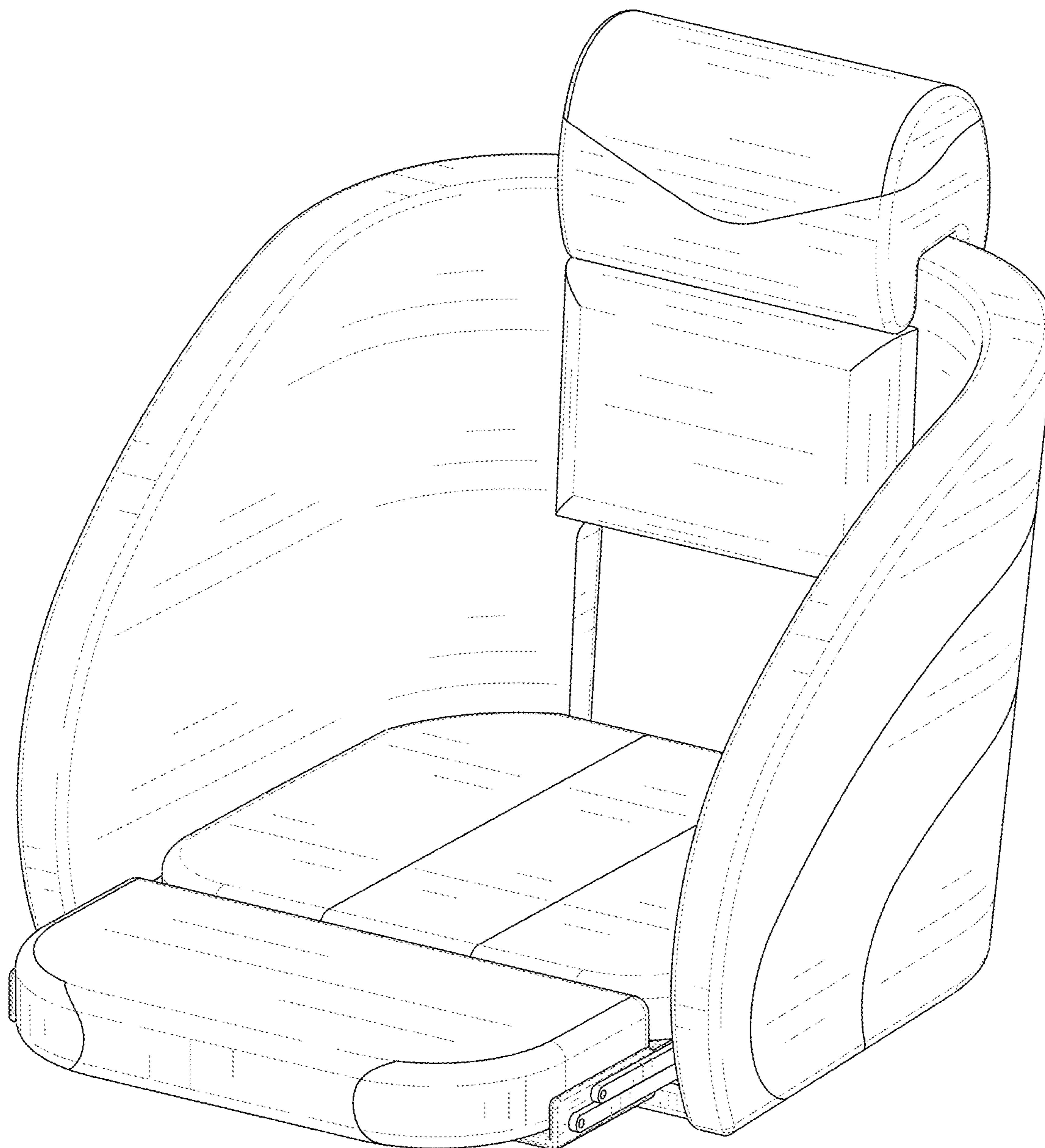
**FIG.4**



**FIG. 5**

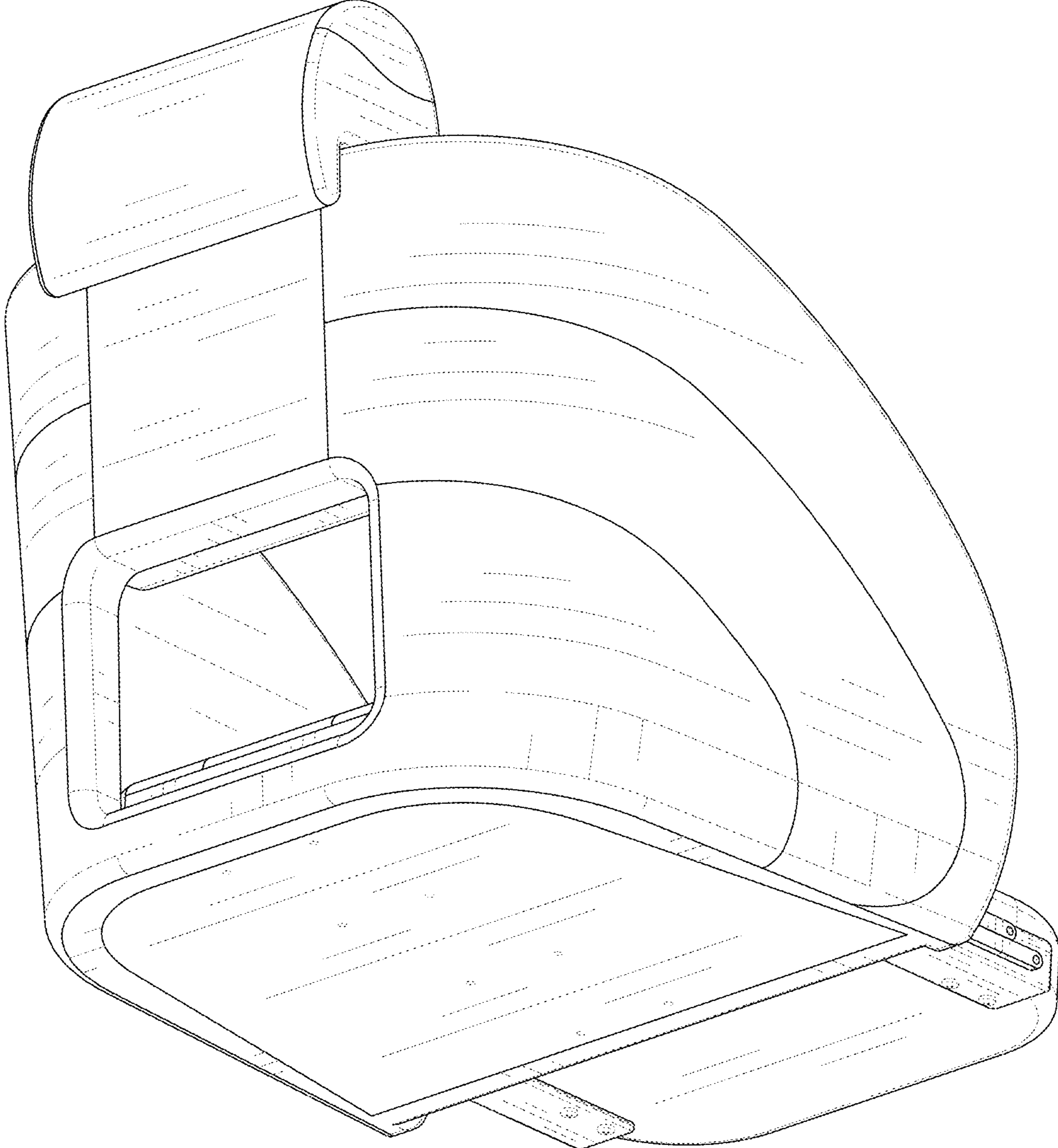


**FIG. 6**

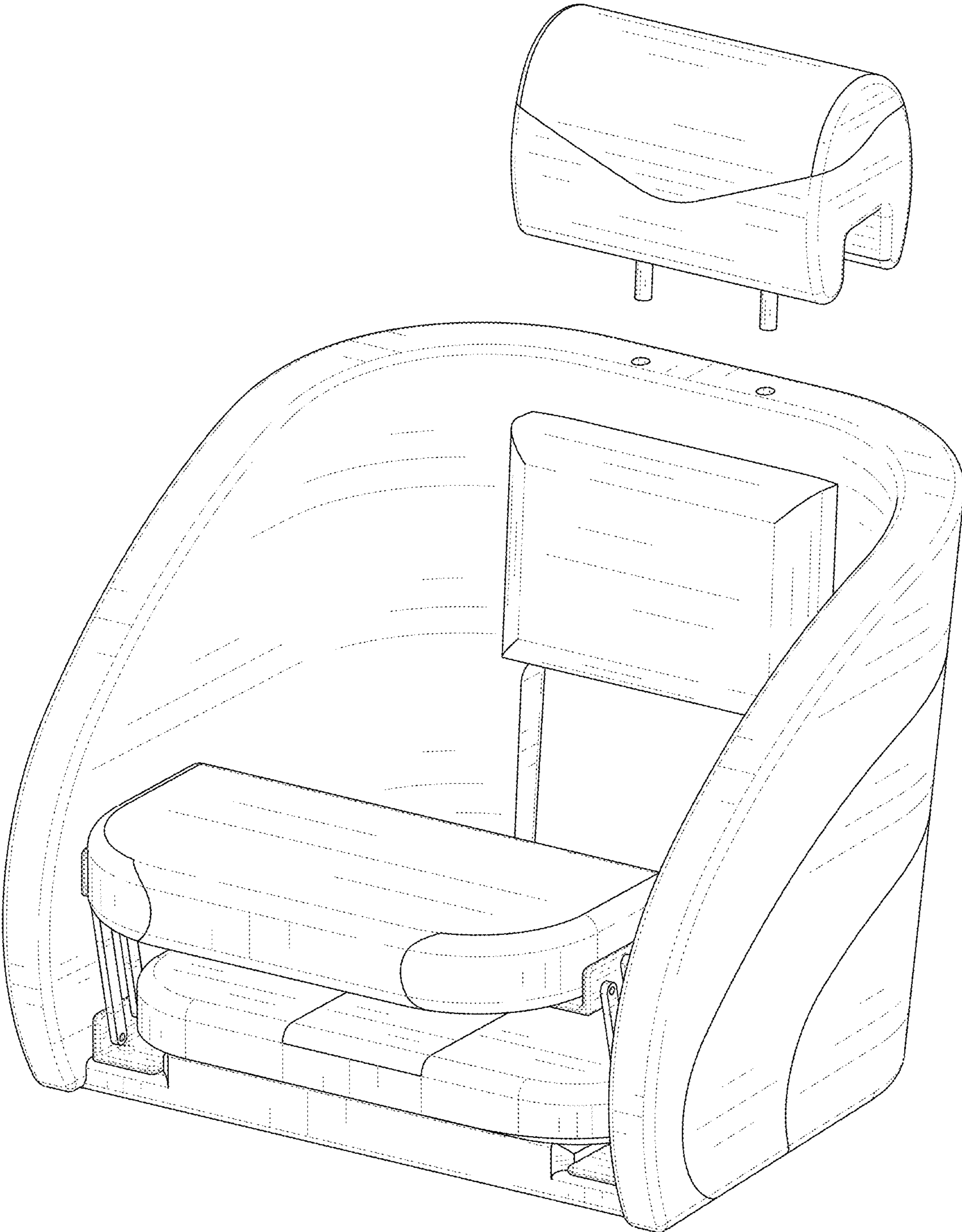


**FIG. 7**





**FIG. 8**



**FIG. 9**