

US00D950256S

(12) **United States Design Patent** (10) **Patent No.:** **US D950,256 S**
Pedersen et al. (45) **Date of Patent:** **** May 3, 2022**

(54) **DISPLAY FIXTURE**

- (71) Applicant: **TARGET BRANDS, INC.**,
Minneapolis, MN (US)
- (72) Inventors: **Sara Lynne Pedersen**, Minneapolis,
MN (US); **Grace Catherine Manuel**,
Minneapolis, MN (US); **Scott E.**
Denby, Minneapolis, MN (US); **Jeremy**
A. Clark, Minneapolis, MN (US); **Erin**
L. Zobel, Minneapolis, MN (US)
- (73) Assignee: **TARGET BRANDS, INC.**,
Minneapolis, MN (US)
- (**) Term: **15 Years**
- (21) Appl. No.: **29/822,102**
- (22) Filed: **Jan. 5, 2022**

Related U.S. Application Data

- (62) Division of application No. 29/692,894, filed on May
29, 2019, now Pat. No. Des. 943,294.
- (51) **LOC (13) Cl.** **06-06**
- (52) **U.S. Cl.**
USPC **D6/332**
- (58) **Field of Classification Search**
USPC D6/332, 672, 675, 675.1, 681, 682, 1.1,
D6/682.2

(Continued)

(56) **References Cited**

U.S. PATENT DOCUMENTS

- D26,227 S 10/1896 Selkirk
- 1,363,187 A 12/1920 Miller

(Continued)

FOREIGN PATENT DOCUMENTS

- GB 498323 1/1939

OTHER PUBLICATIONS

“T-Shaped Office Cubicle Partition”, printed from www.
modernofficepartitions.com/products/75-l-x-35-w-x-35-w-x-51-h-
office-partition-maple-wood-grain-translucent-modern-room-
divider, publicly available at least as early as Mar. 25, 2019 (2
pages).

(Continued)

Primary Examiner — Kelley A Donnelly
(74) *Attorney, Agent, or Firm* — Griffiths & Seaton
PLLC; JoAnn M. Seaton

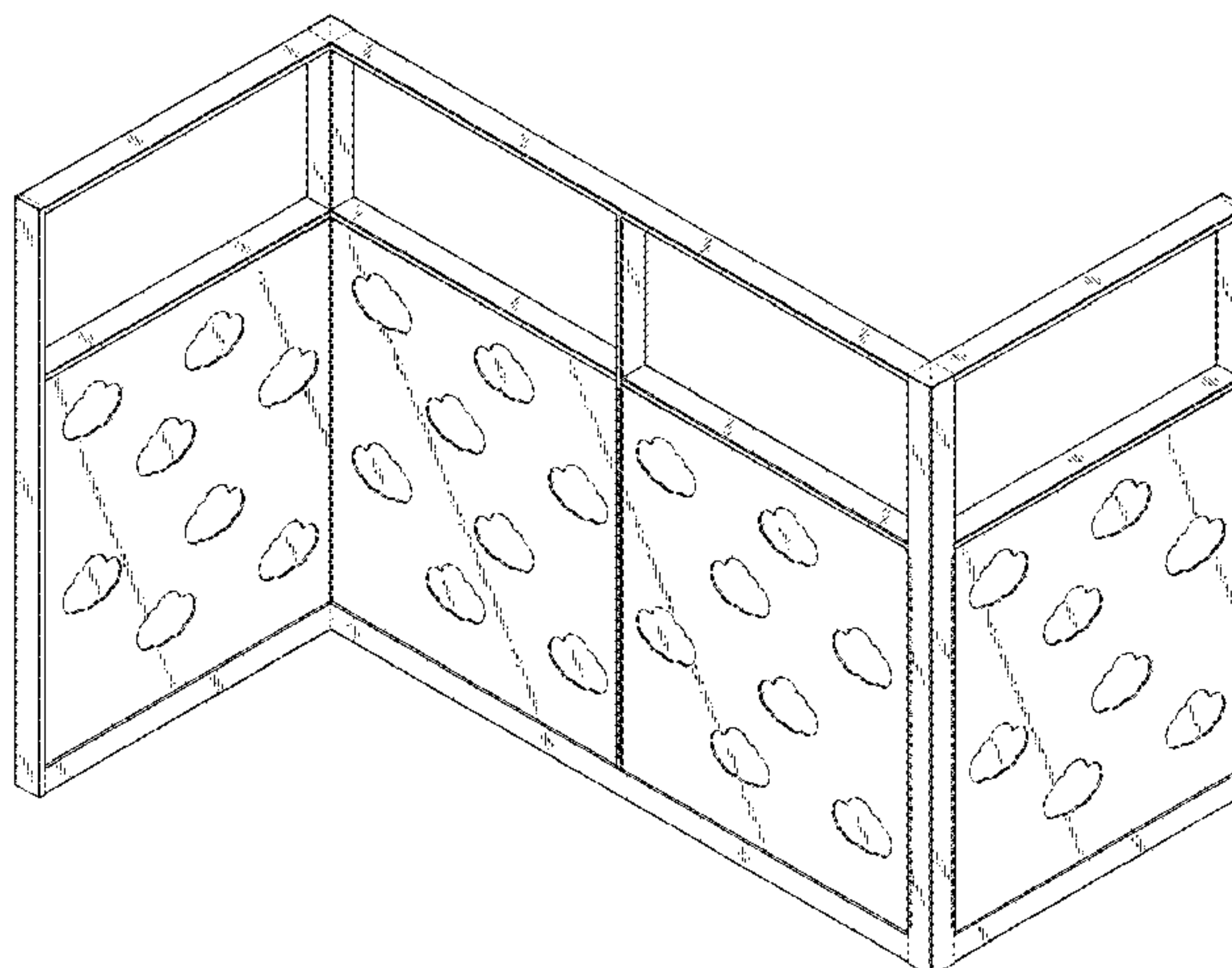
(57) **CLAIM**

The ornamental design for a display fixture, as shown and
described.

DESCRIPTION

FIG. 1 is a top, front perspective view of a display fixture
showing an embodiment of our new design;
FIG. 2 is a front view thereof;
FIG. 3 is a rear view thereof;
FIG. 4 is a right side view thereof;
FIG. 5 is a left side view thereof; and
FIG. 6 is a top view thereof.
FIG. 7 is a top, front perspective view of a display fixture
showing an embodiment of our new design;
FIG. 8 is a front view thereof;
FIG. 9 is a rear view thereof;
FIG. 10 is a right side view thereof;
FIG. 11 is a left side view thereof; and
FIG. 12 is a top view thereof.
FIG. 13 is a top, front perspective view of a display fixture
showing an embodiment of our new design;
FIG. 14 is a front view thereof;
FIG. 15 is a rear view thereof;
FIG. 16 is a right side view thereof;
FIG. 17 is a left side view thereof; and,
FIG. 18 is a top view thereof.

(Continued)



In the drawings, the broken lines depict unclaimed subject matter only. Bottom views are omitted as bottom surfaces of the display fixture are not claimed.

1 Claim, 18 Drawing Sheets

(58) Field of Classification Search

CPC A47F 5/00; A47F 5/005; A47F 5/0815;
A47F 5/0846; E04B 2/7854; E04B
2/7433; E04B 2/7416; E04B 2/7407;
E04B 2/74; E04B 2/72

See application file for complete search history.

(56) References Cited

U.S. PATENT DOCUMENTS

3,565,152	A	2/1971	Cohn et al.	
3,592,289	A	7/1971	Aysta et al.	
3,677,322	A	7/1972	Brorson et al.	
4,932,172	A	6/1990	Maas	
4,958,671	A *	9/1990	Bove	E04B 2/7429 160/351
5,287,909	A	2/1994	King et al.	
D345,018	S	3/1994	Maas	
6,009,930	A	1/2000	Jantschek	
D427,784	S *	7/2000	Domina	D6/332
D485,995	S	2/2004	Berg et al.	
7,213,632	B1	5/2007	Goldstein et al.	
D584,071	S	1/2009	Weigand et al.	
D607,670	S	1/2010	Trinh et al.	
8,850,762	B2 *	10/2014	Knauf	E06B 1/52 52/212

9,010,045	B1 *	4/2015	Kopish	E04B 2/7455 52/506.06
D729,548	S *	5/2015	Denby	D6/672
9,119,487	B2 *	9/2015	Angvall	G09F 7/20
D740,573	S *	10/2015	Bouroullec	D6/332
9,232,865	B2 *	1/2016	Trinh	A47F 5/0807
9,609,961	B2	4/2017	Lindblom	
9,622,602	B2 *	4/2017	Potter	E06B 7/30
D798,613	S *	10/2017	Rost, Jr.	D6/332
D816,355	S *	5/2018	Rockwell	D6/332
10,329,759	B2 *	6/2019	Feldpausch	E04B 2/7457
10,400,448	B2 *	9/2019	Gosling	E04B 2/7401
10,597,045	B2 *	3/2020	Lardy	B61B 1/02
10,711,459	B2 *	7/2020	Mizuno	E04B 2/825
D916,317	S	4/2021	Butler	
D916,536	S	4/2021	Pedersen et al.	
2003/0183349	A1	10/2003	Gresham et al.	
2010/0170642	A1 *	7/2010	Chen	E04B 2/7427 160/113
2013/0111827	A1	5/2013	Hartwell et al.	
2017/0306693	A1 *	10/2017	Potter	A47G 5/00

OTHER PUBLICATIONS

“Folding Privacy Screen”, printed from www.versare.com/the-privacy-screen.html?recrawl&gclid=EAIaIQobChMIqqeV, publicly available at least as early as Mar. 25, 2019 (11 pages).

“Flourish Zig Zag Mesh Panels Three-Panel Display Walls”, printed from www.dickblick.com/products/flourish-zig-zag-meshpanels-three-panel-display-walls/, publicly available at least as early as Dec. 16, 2011, per <http://web.archive.org> (3 pages).

“GOF T-Shaped Freestanding Partition”, printed from www.walmart.com/ip/GOF-T-Shaped-Freestanding-Partition-36D-x-72W-x-48H-Office-Room-Divider, publicly available at least as early as Mar. 25, 2019 (2 pages).

* cited by examiner

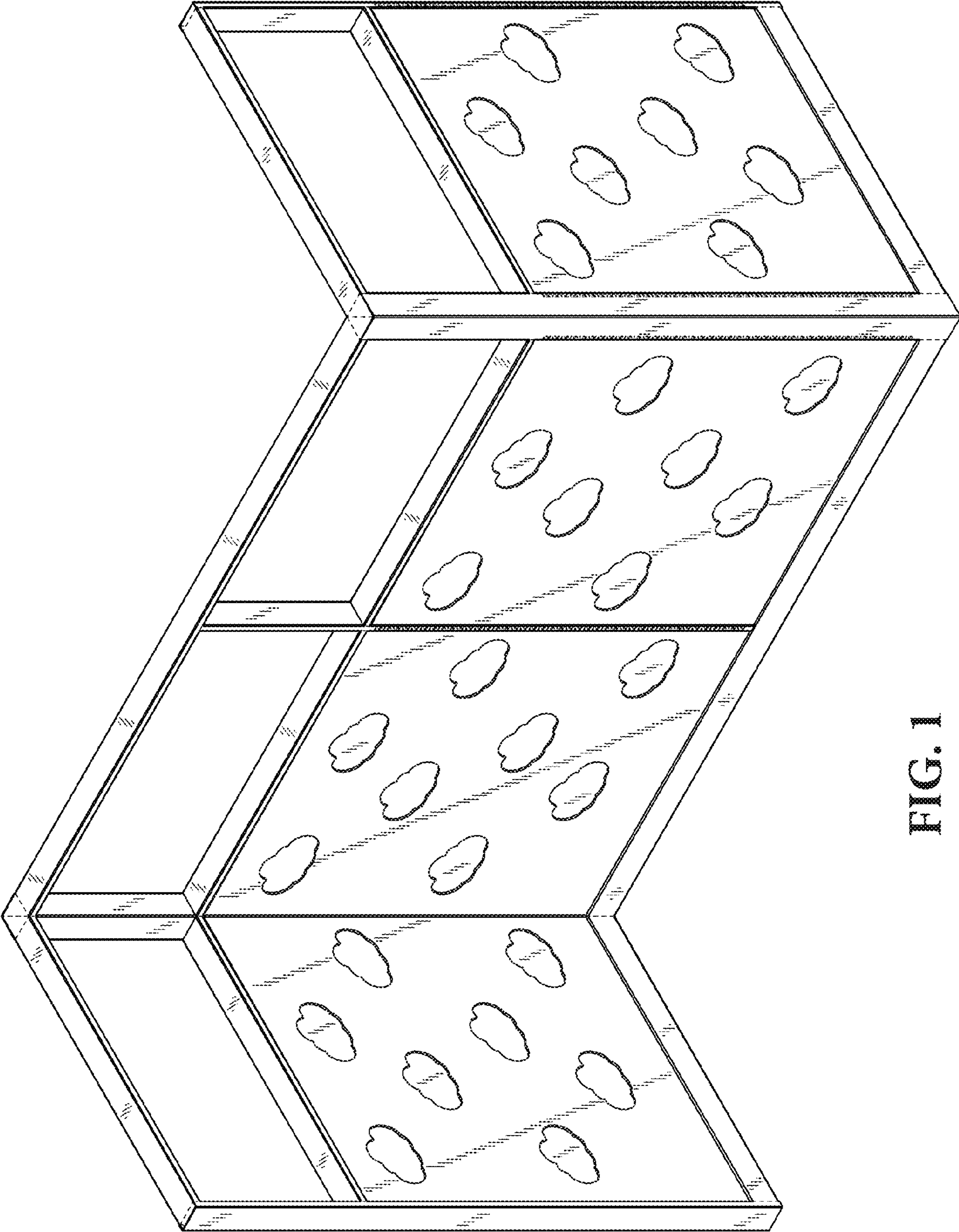


FIG. 1

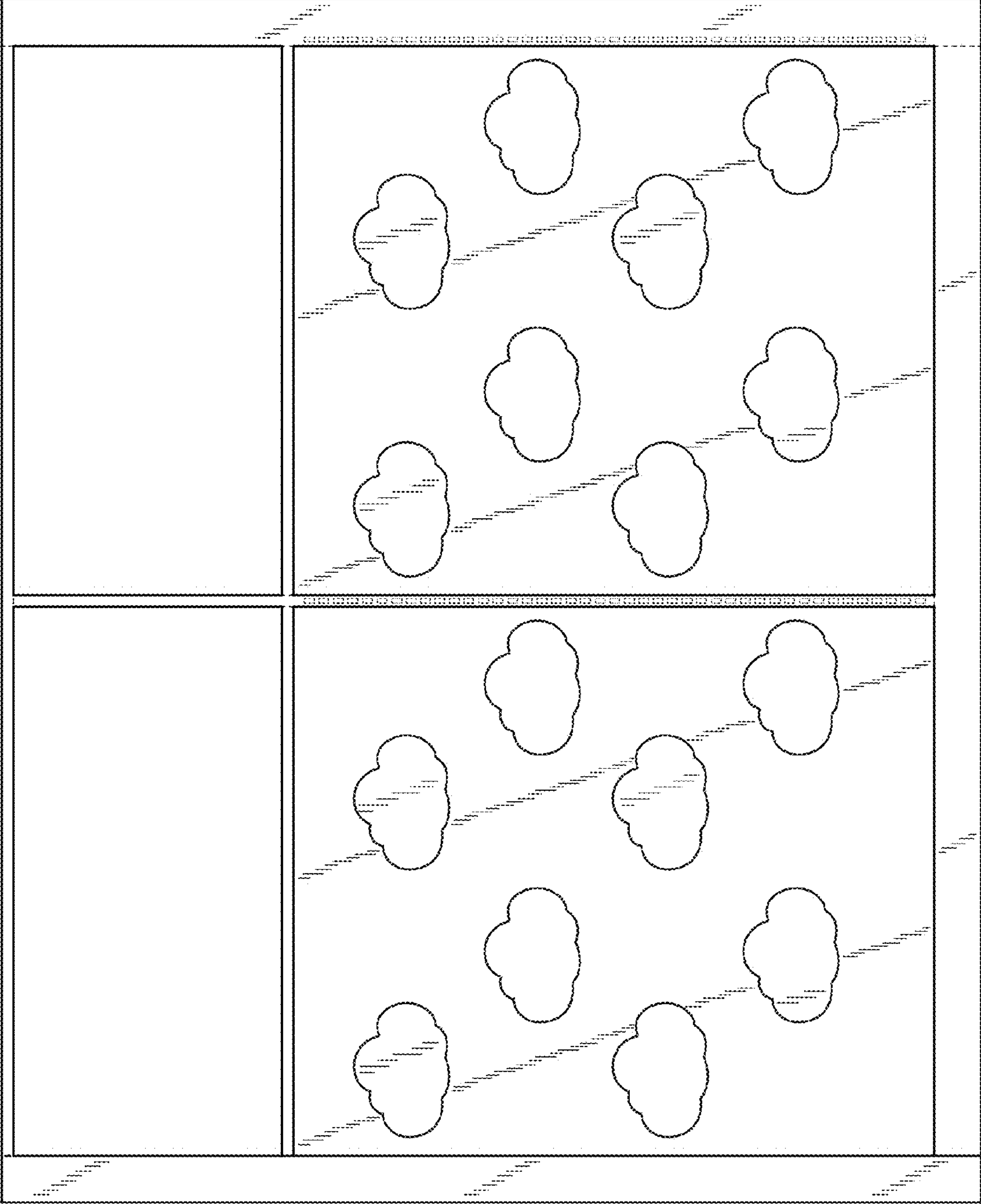


FIG. 2

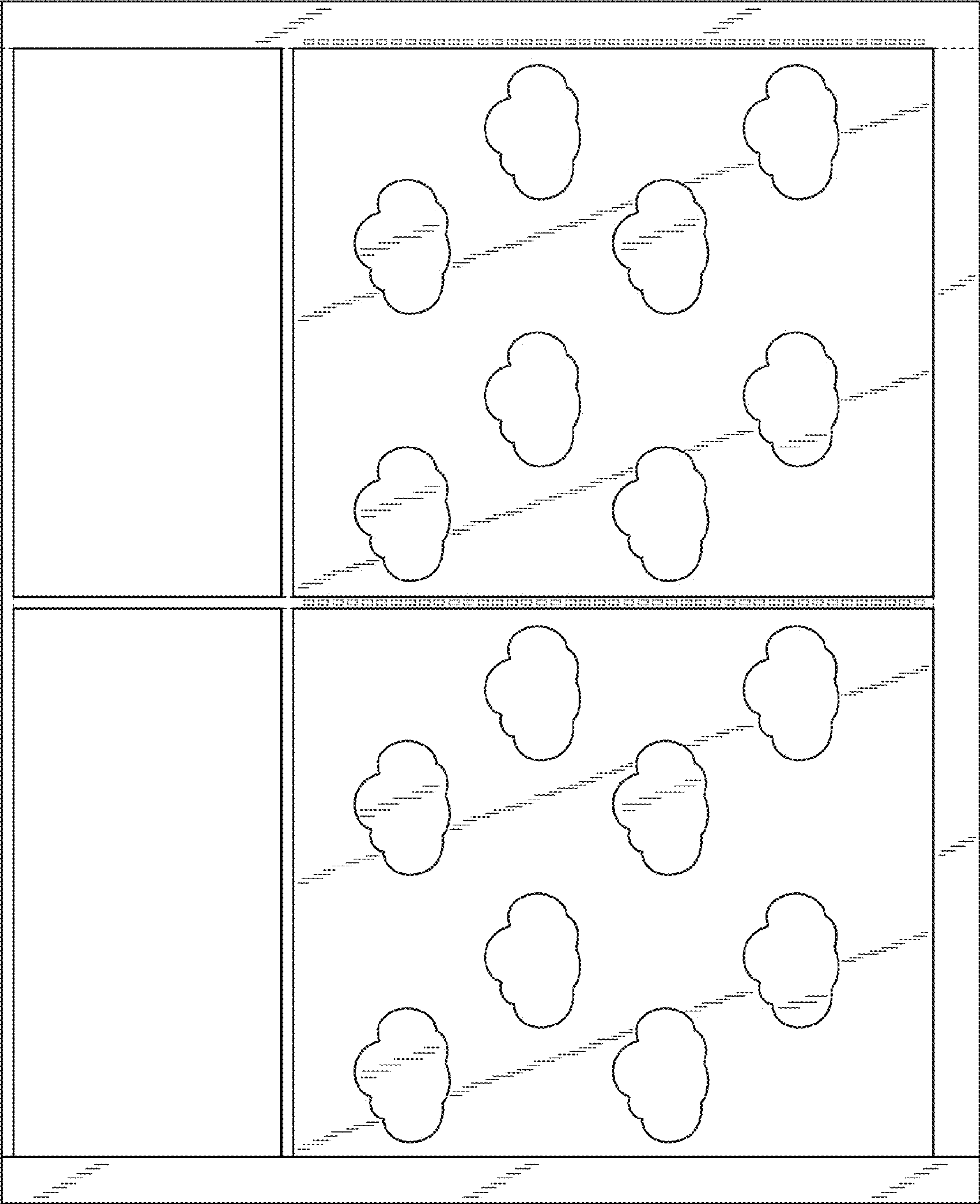


FIG. 3

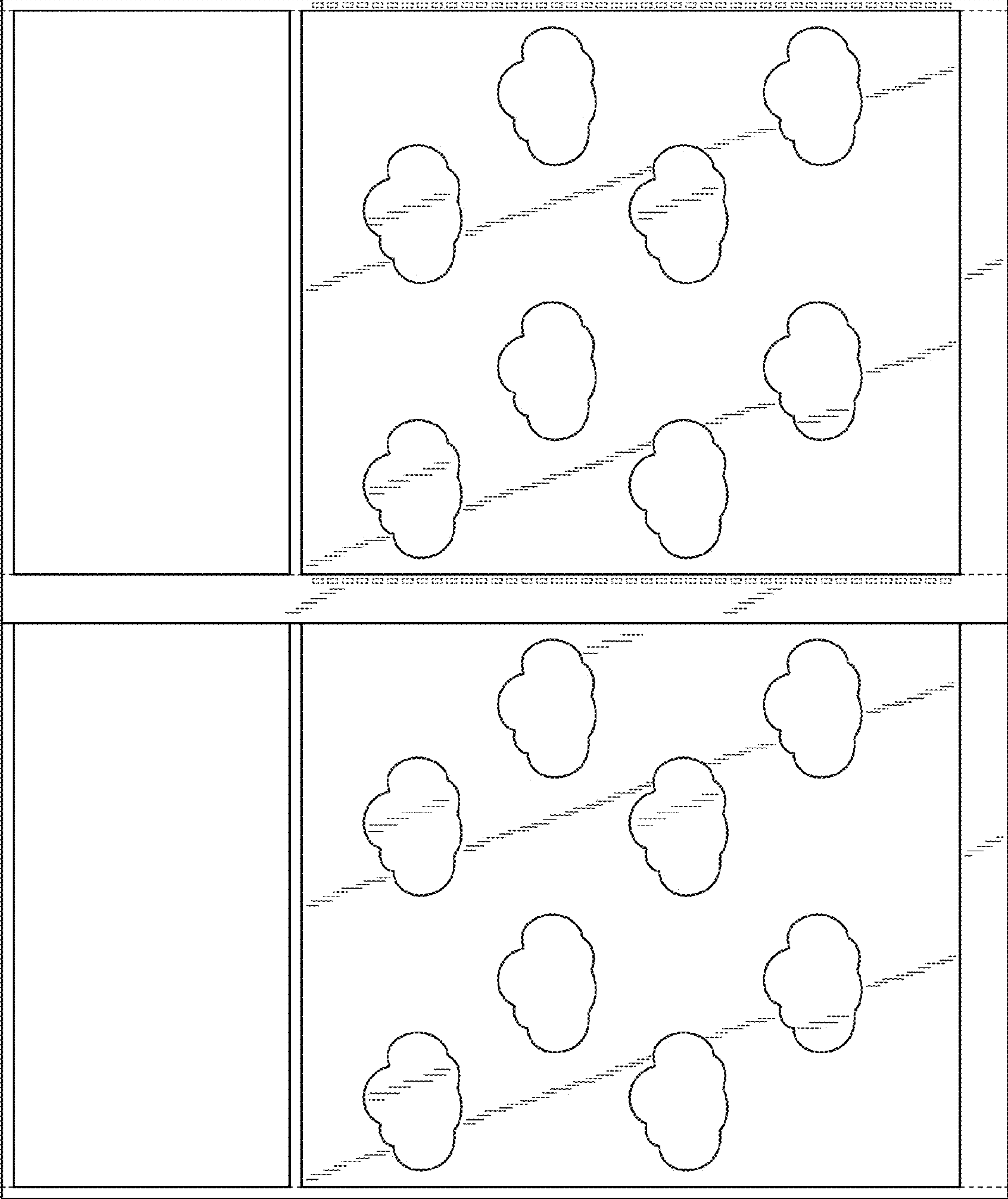


FIG. 4

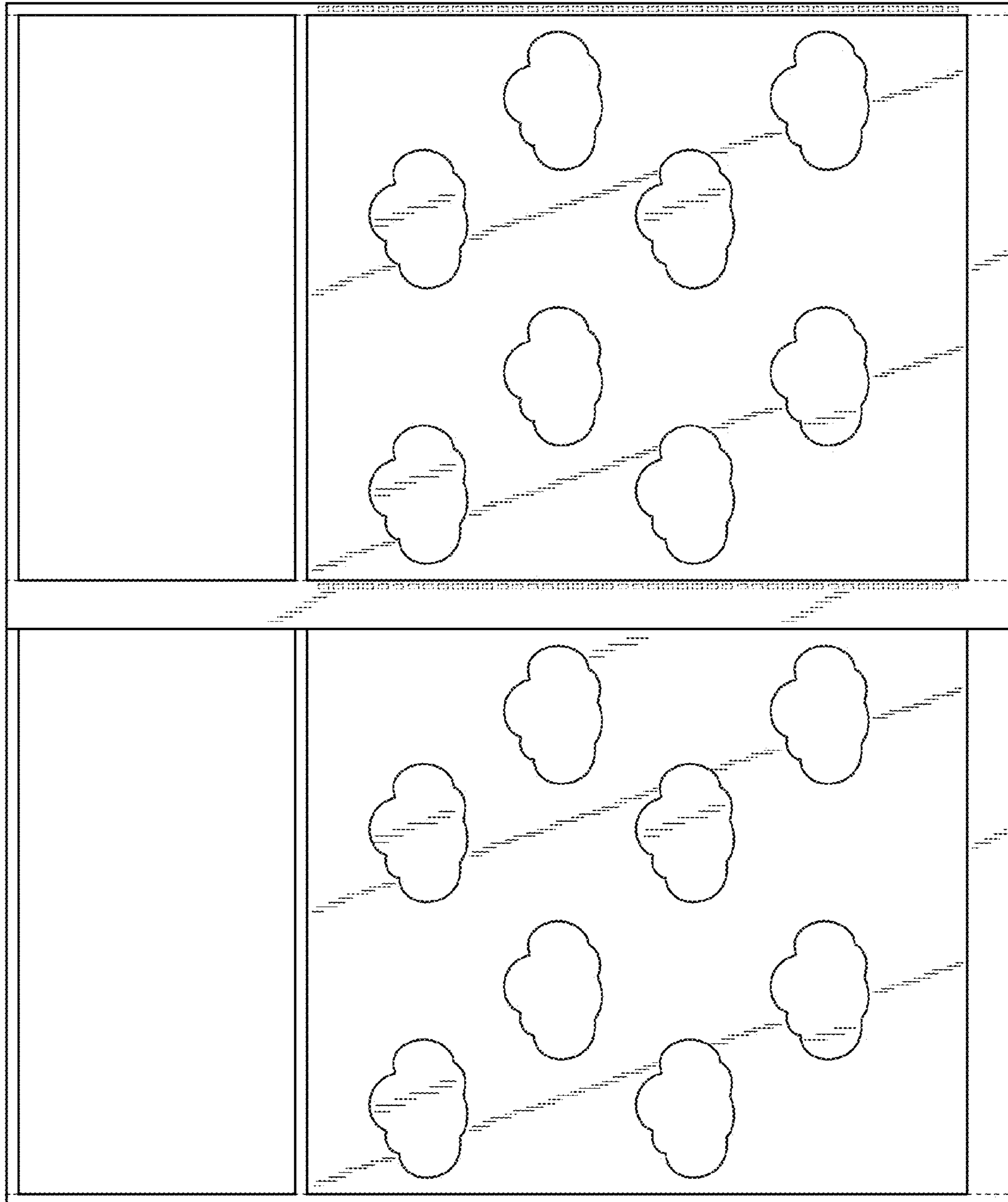


FIG. 5

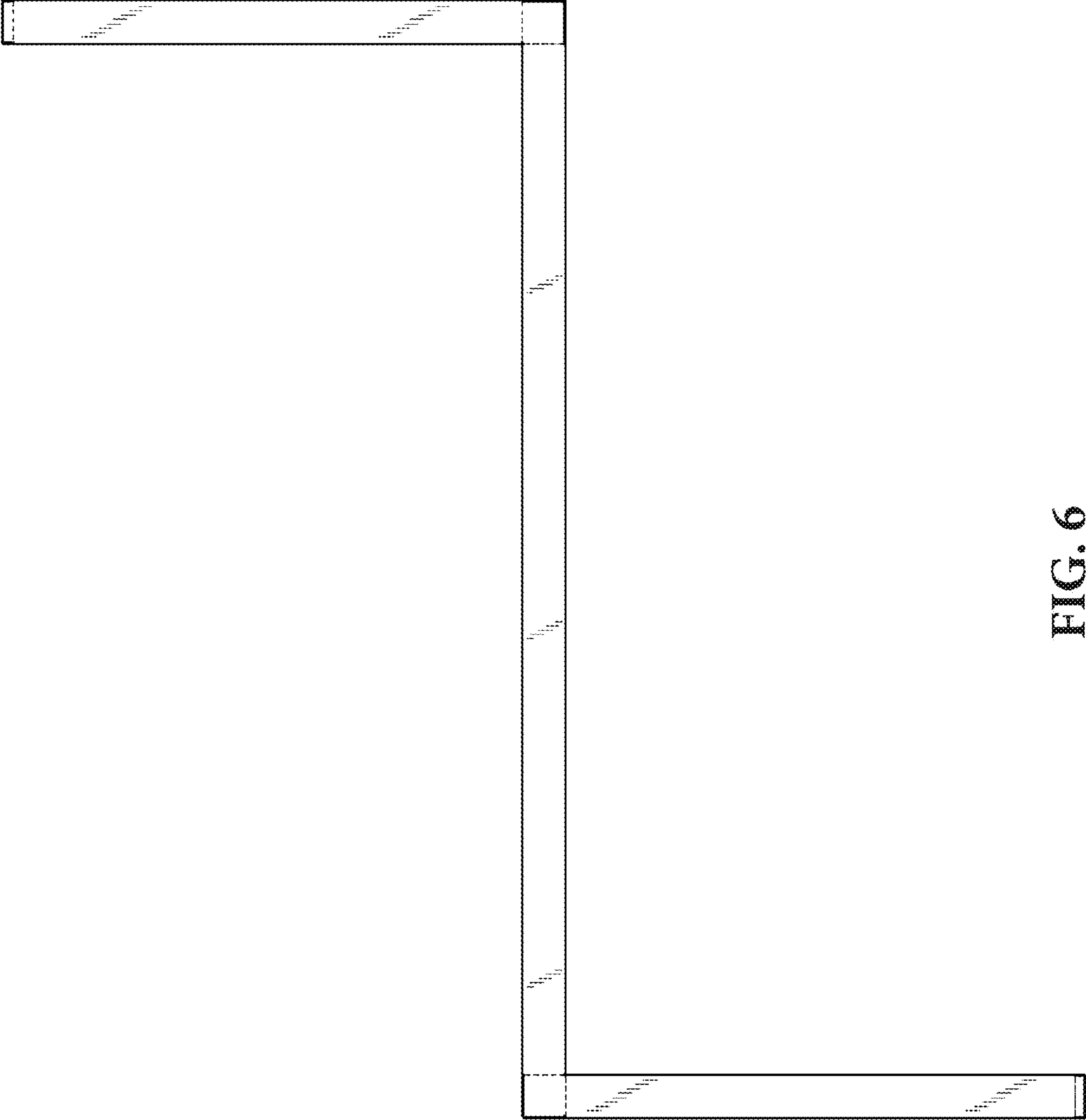


FIG. 6

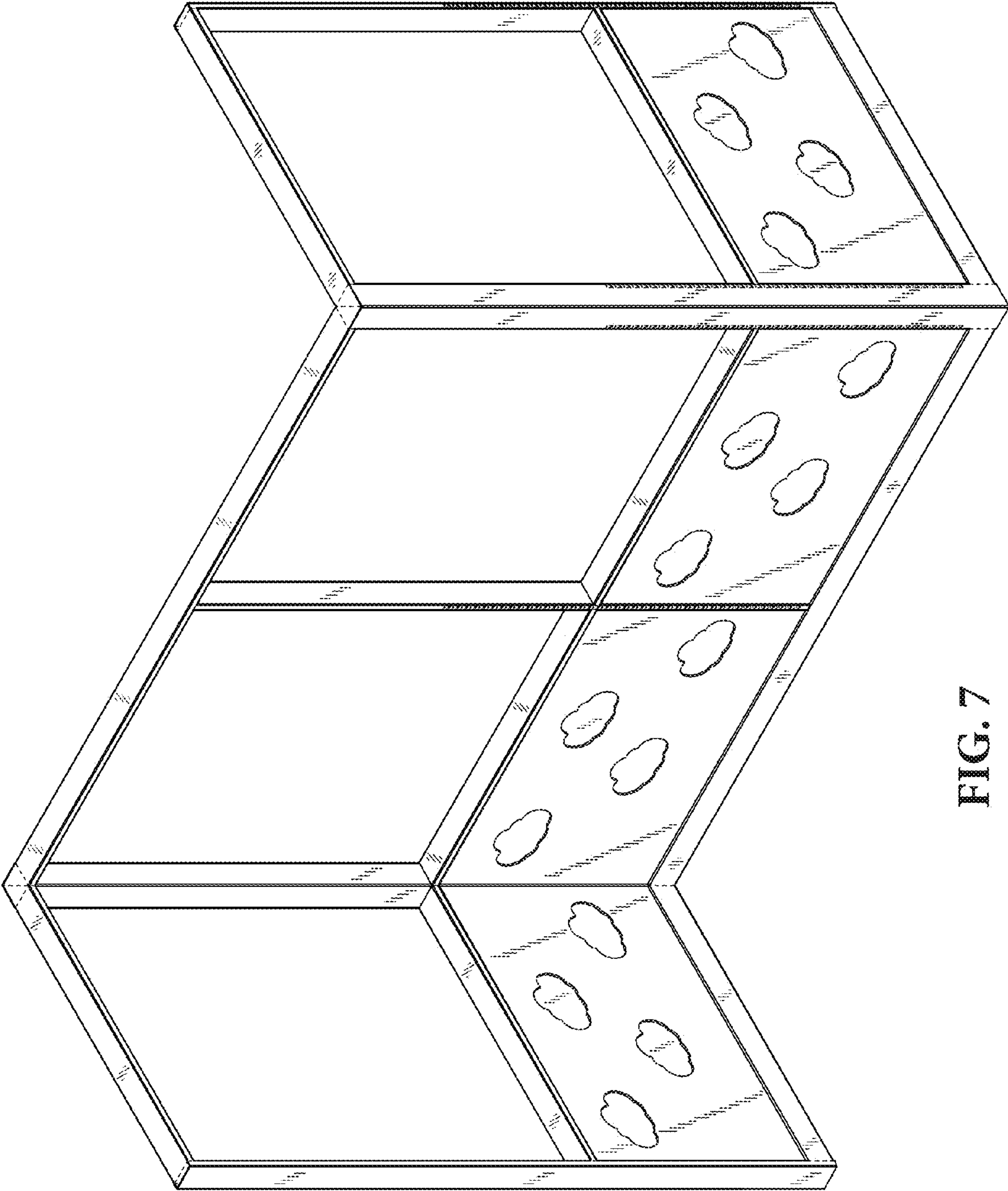


FIG. 7

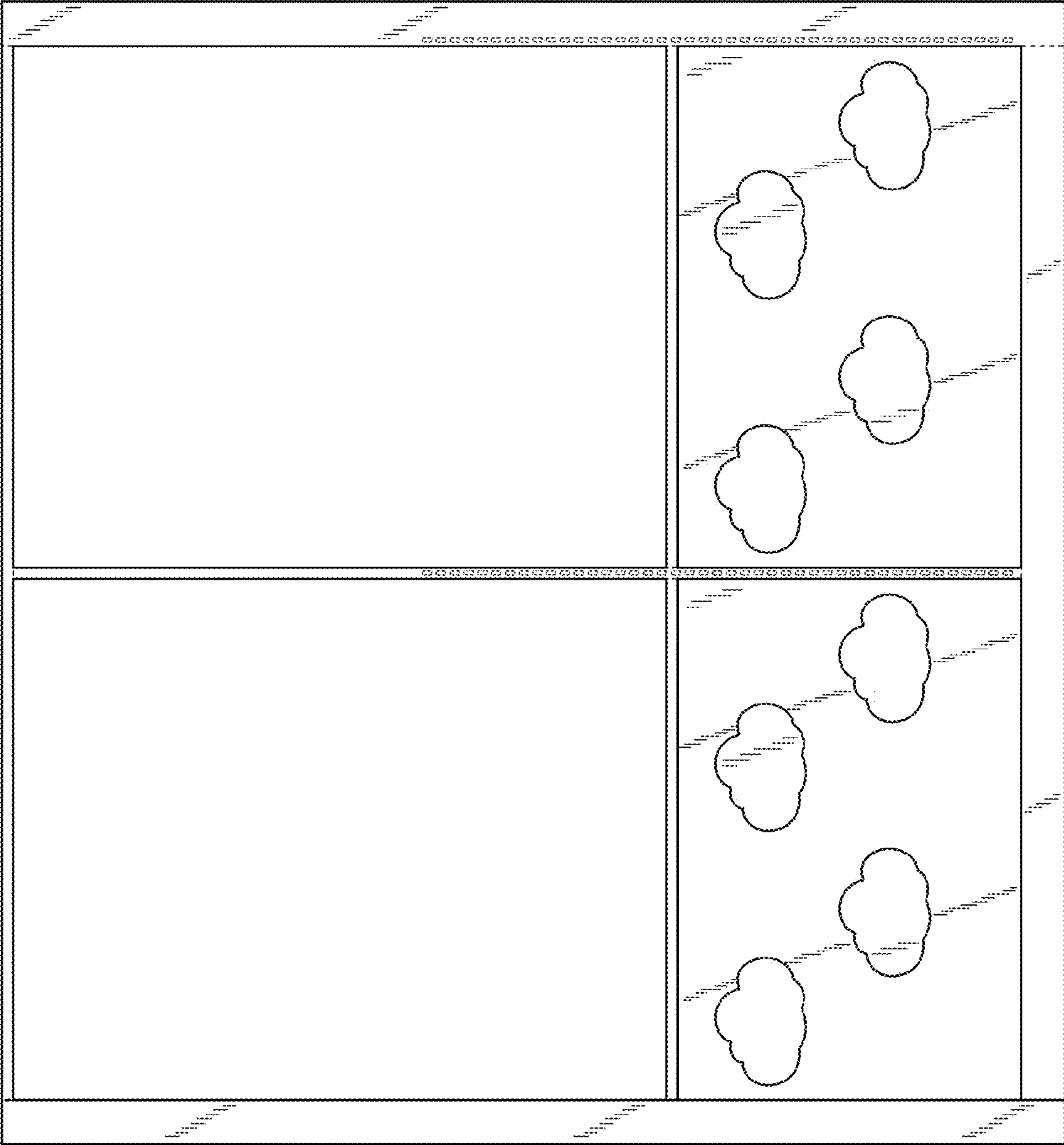


FIG. 8

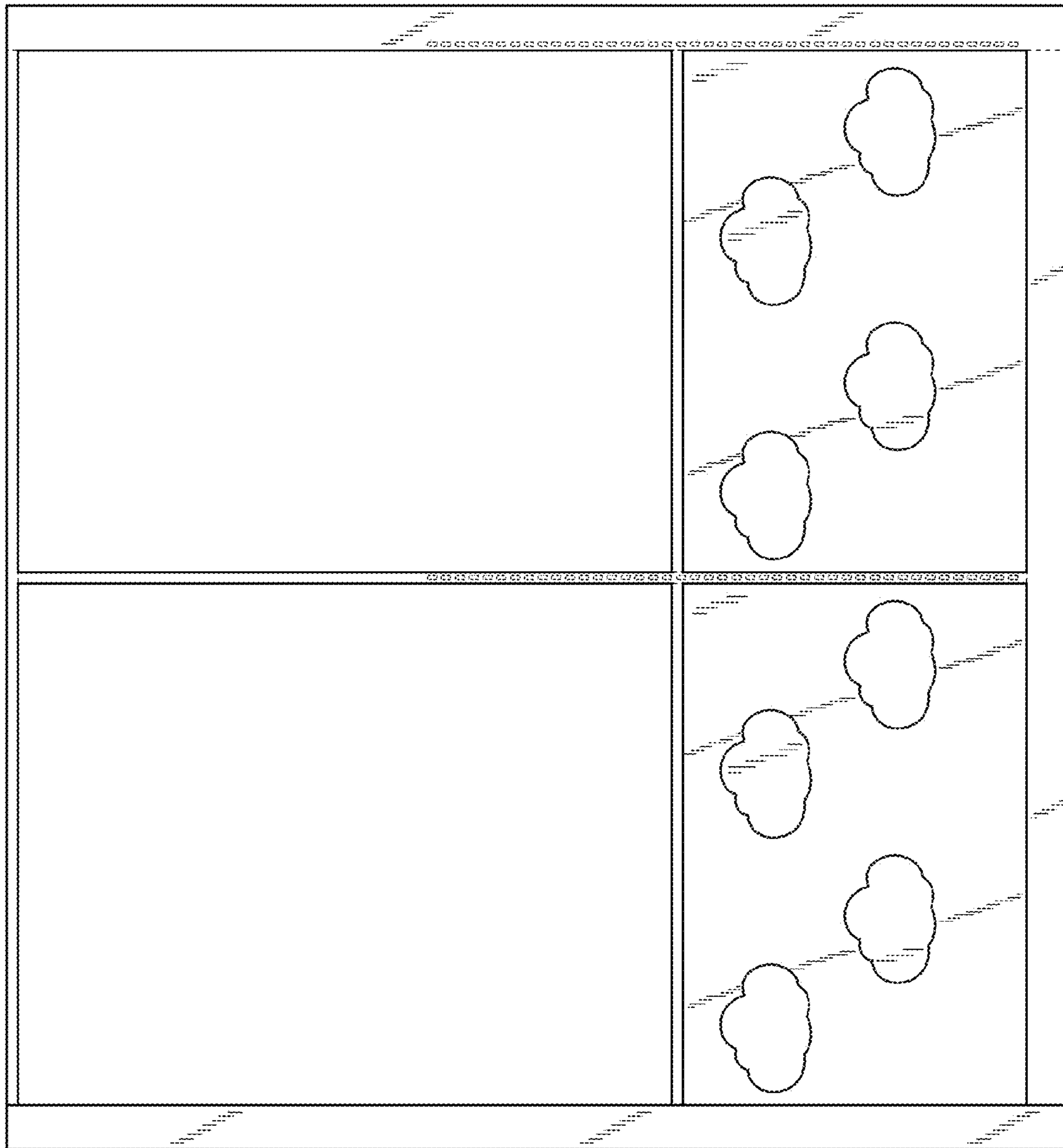


FIG. 9

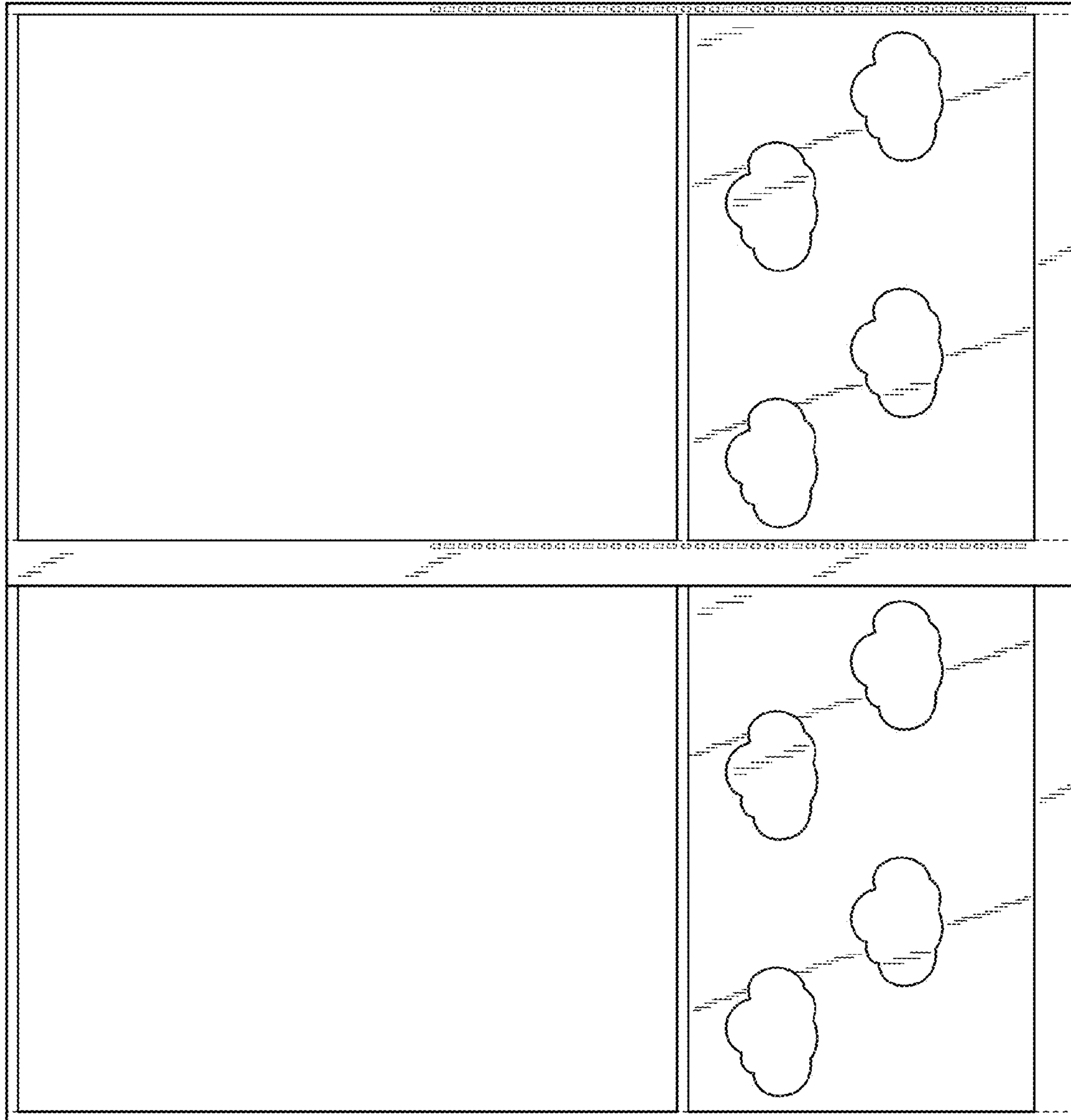


FIG. 10

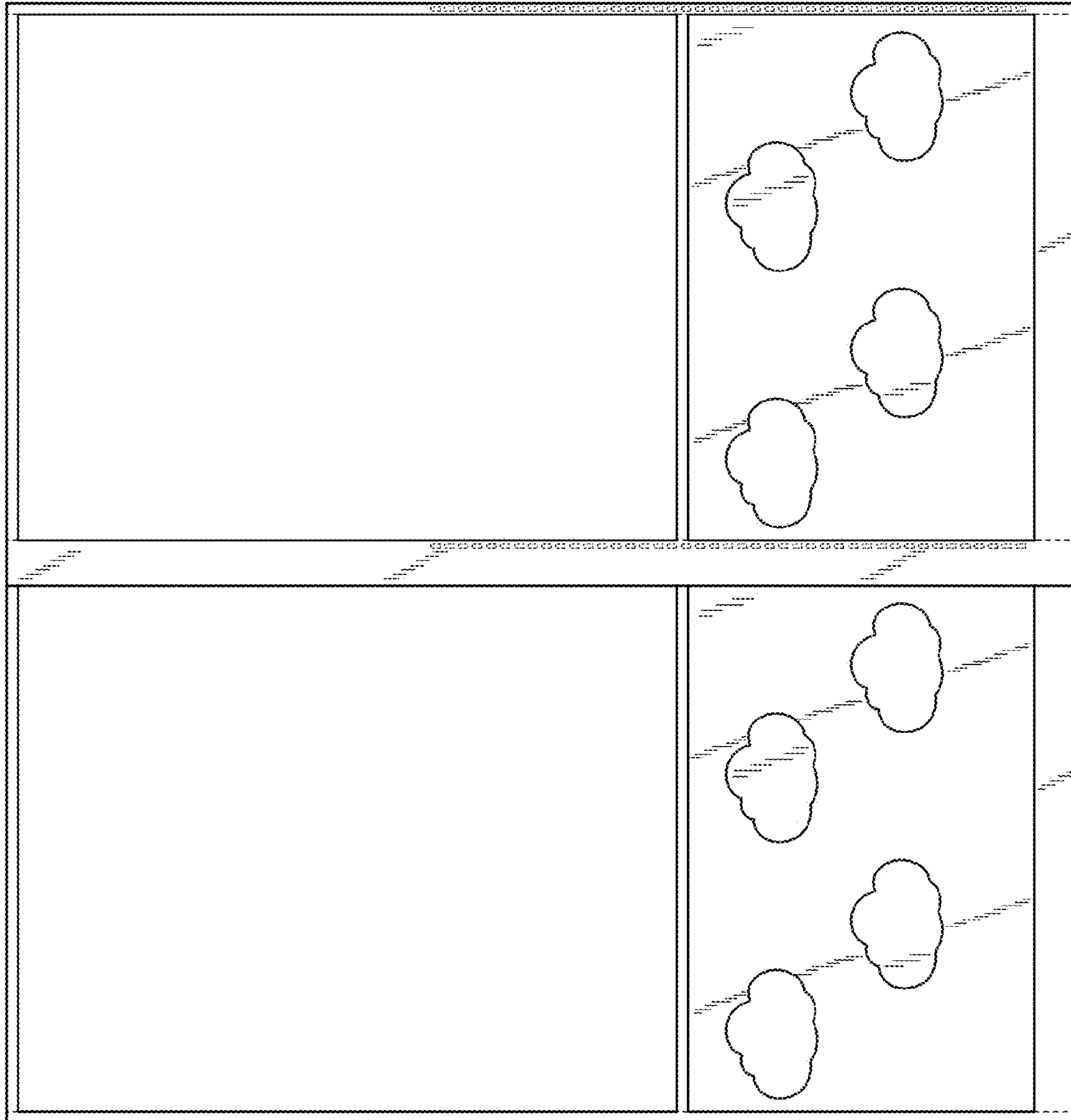


FIG. 11

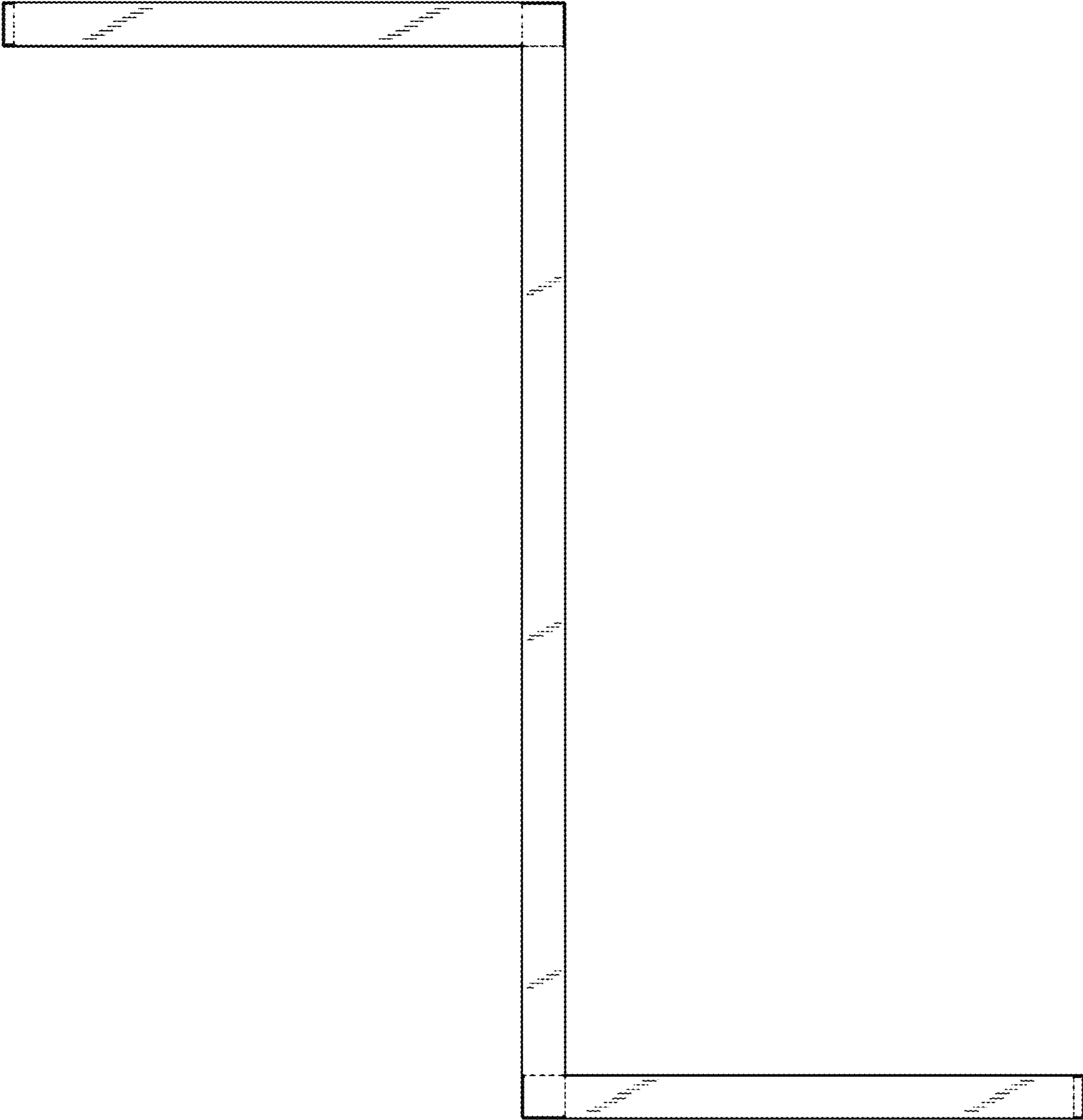


FIG. 12

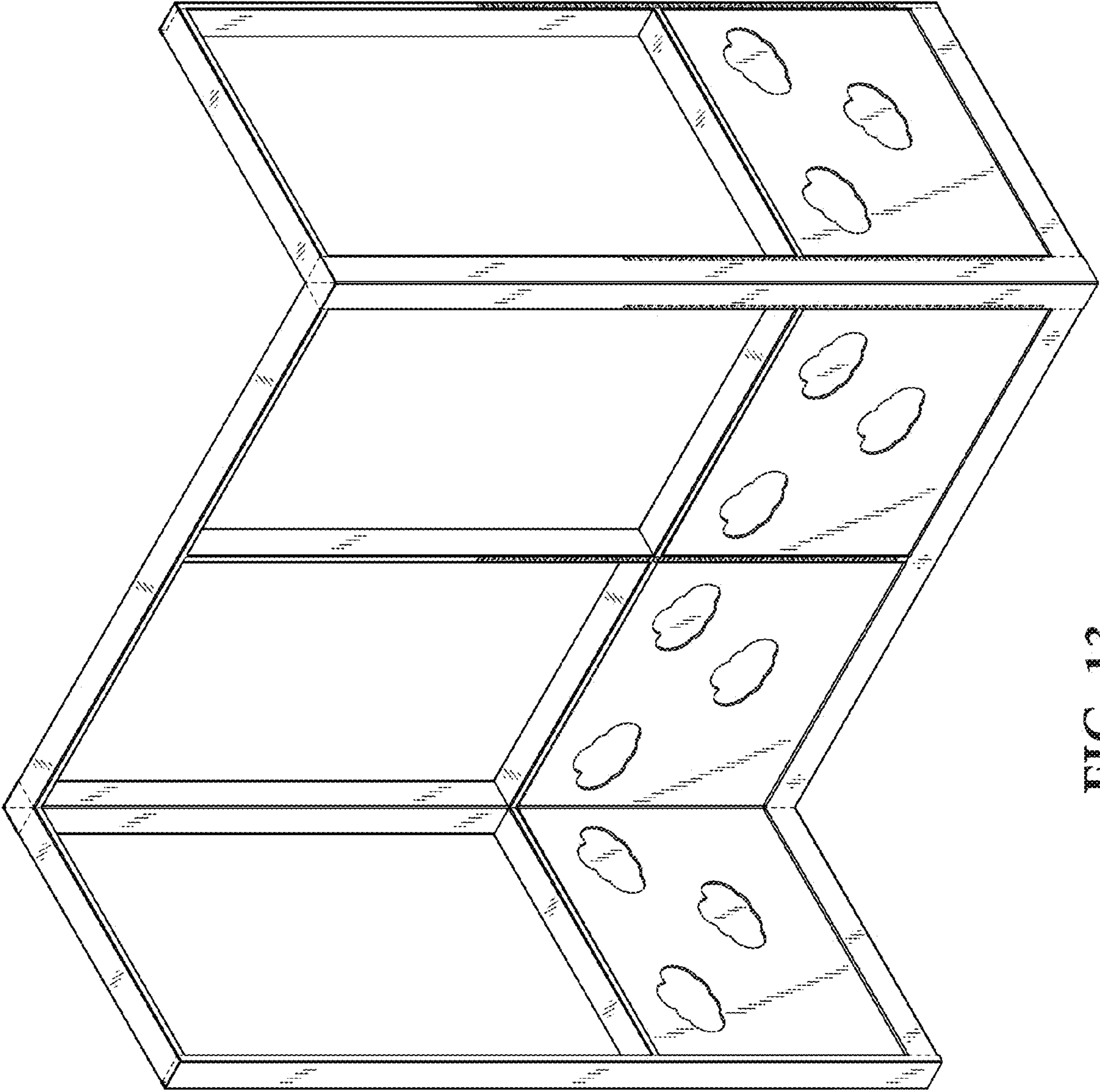


FIG. 13

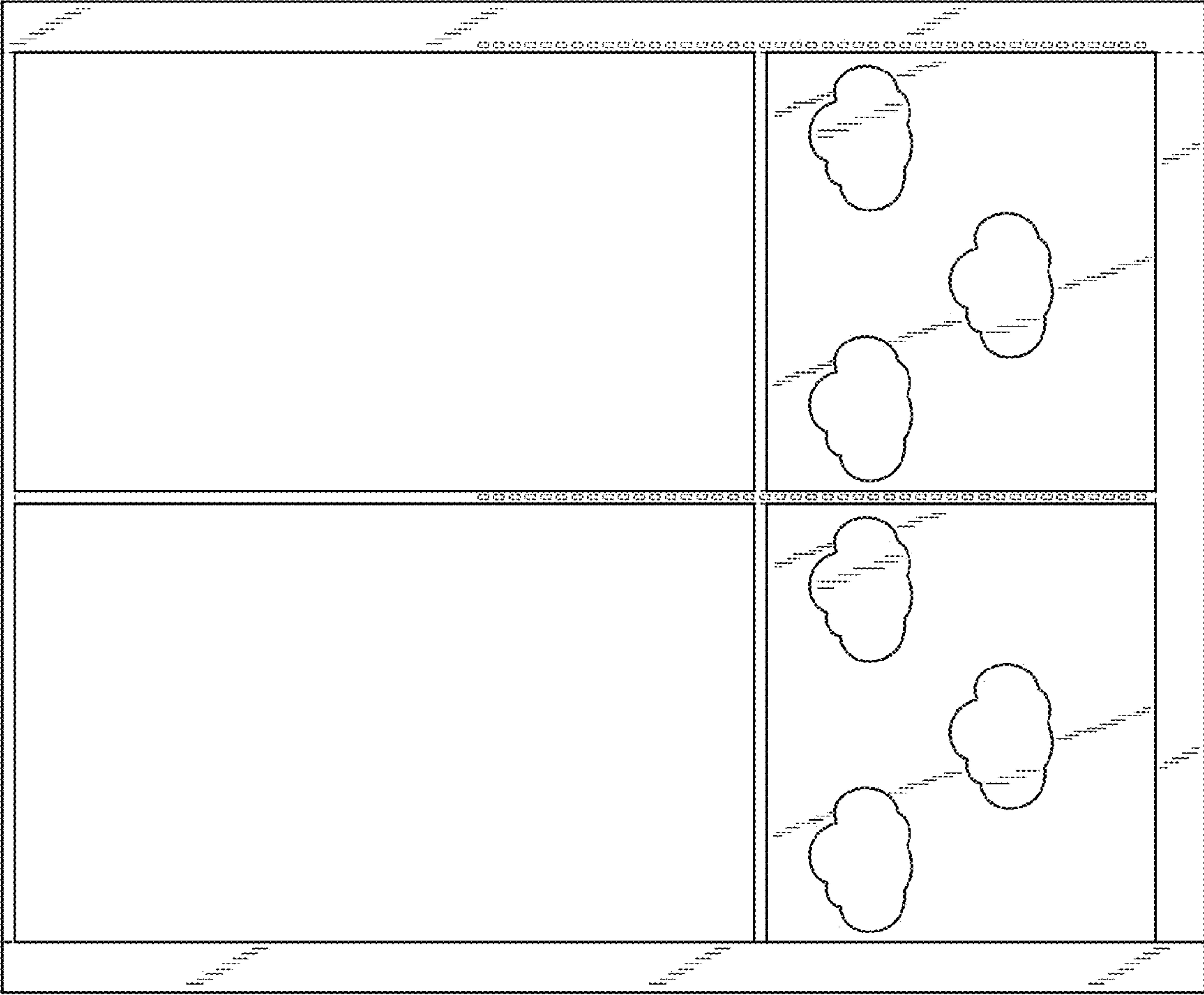


FIG. 14

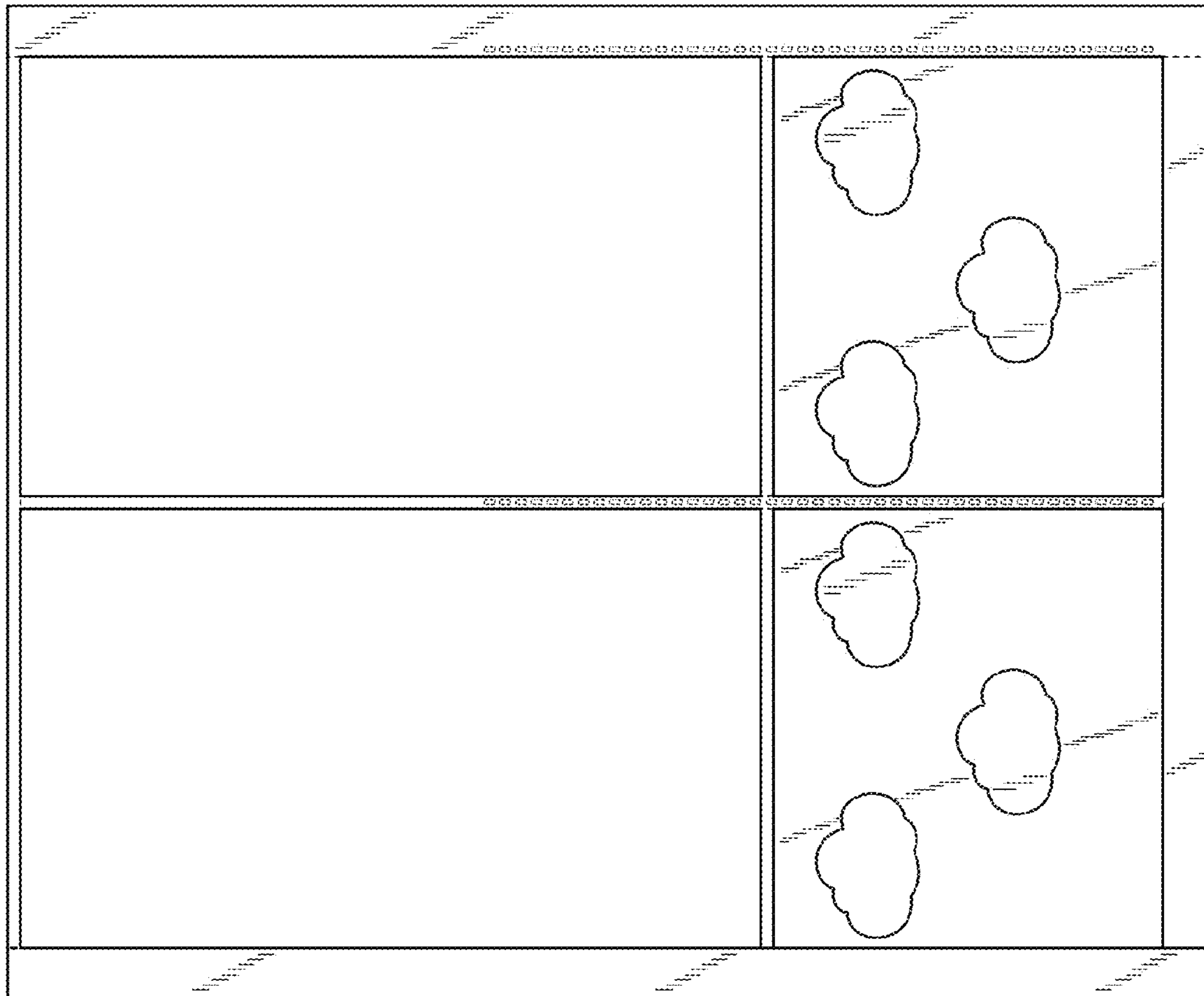


FIG. 15

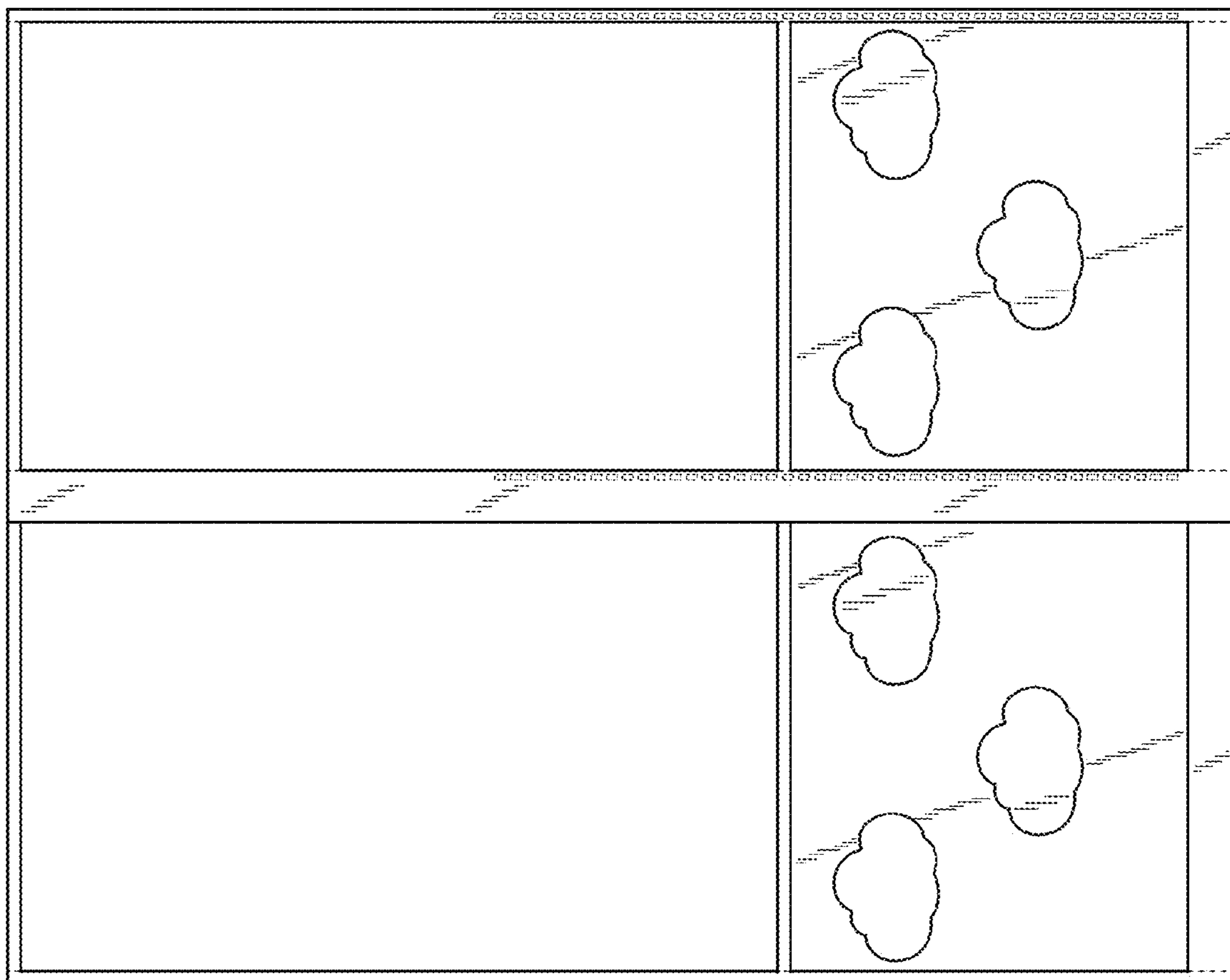


FIG. 16

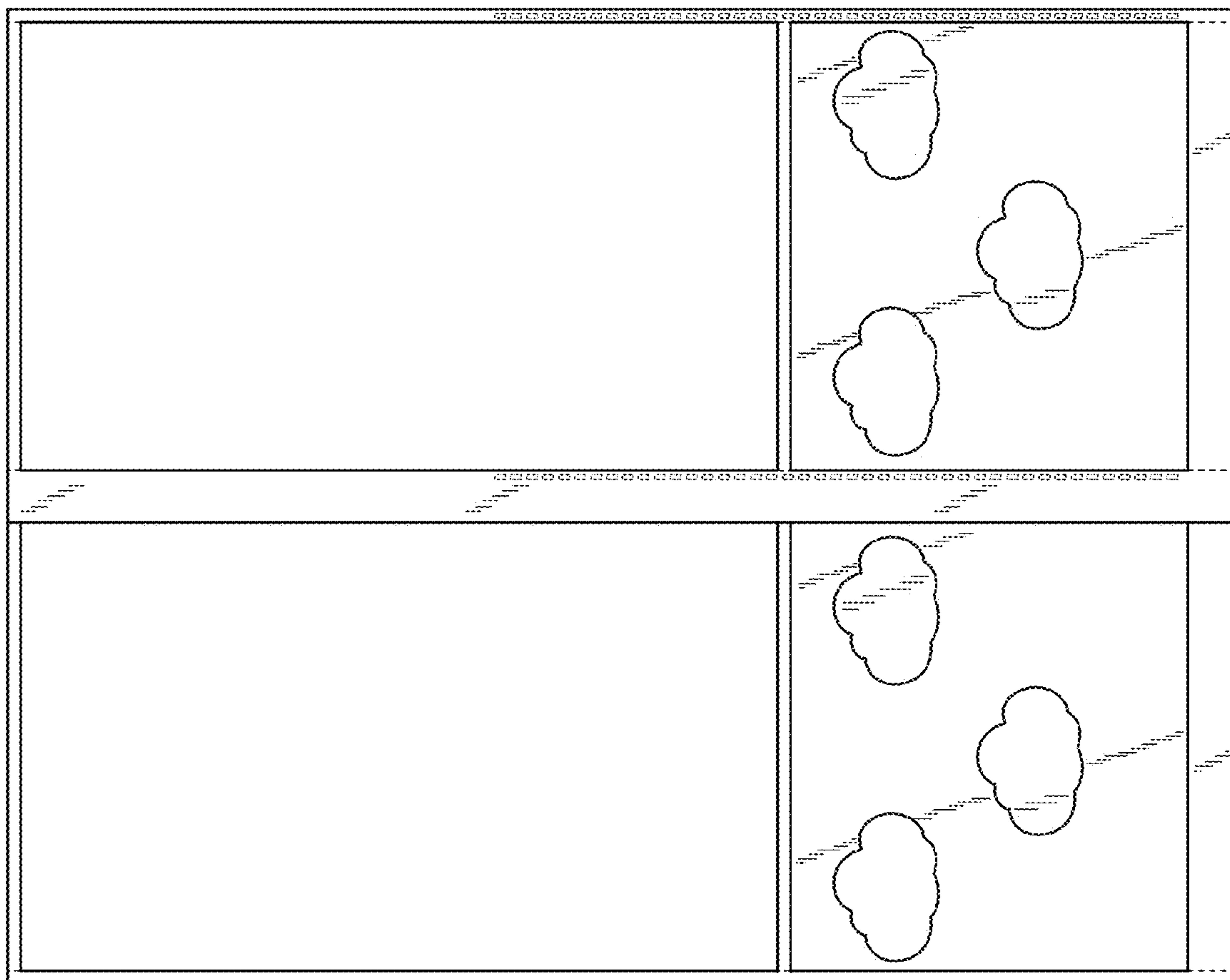


FIG. 17

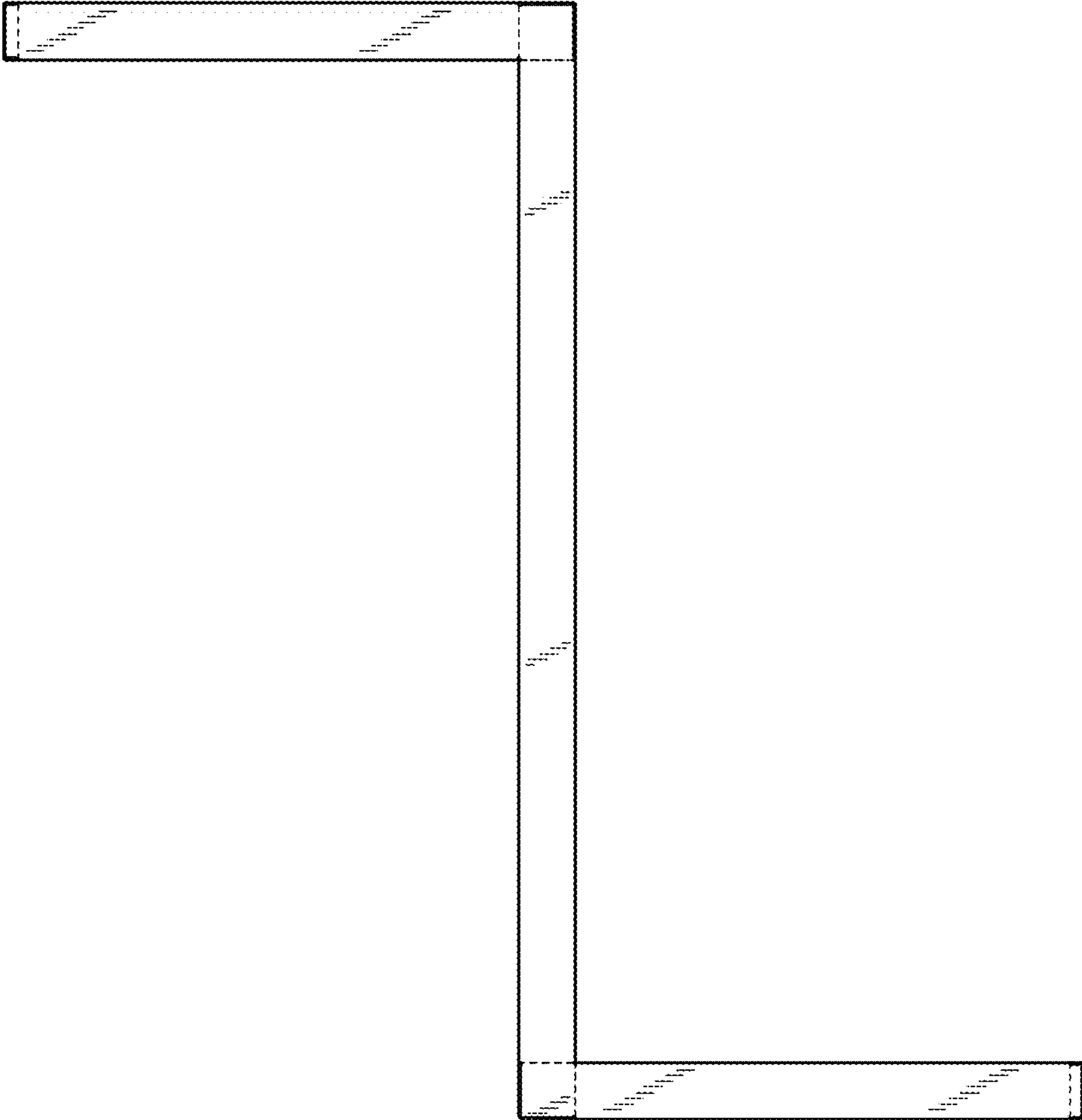


FIG. 18