

US00D950254S

(12) **United States Design Patent** (10) **Patent No.:** **US D950,254 S**
Peace (45) **Date of Patent:** **** May 3, 2022**

(54) **PAINTBRUSH**
(71) Applicant: **Stinger Brush Holdings, LLC**, Vero Beach, FL (US)
(72) Inventor: **Andrew Evan Peace**, Vero Beach, FL (US)
(73) Assignee: **STINGER BRUSH HOLDINGS, LLC**, Vero Beach, FL (US)

6,367,114 B1 4/2002 Babkowski
6,807,704 B2 10/2004 Nishitani
7,467,907 B2 12/2008 Gaynes et al.
7,854,562 B2 12/2010 Peterson et al.
7,913,348 B2 3/2011 Cox et al.
D710,115 S * 8/2014 Dale D4/135
9,055,807 B2 * 6/2015 Dale A46B 9/028
D756,662 S * 5/2016 Lambertson, Jr. D4/138
D757,448 S * 5/2016 Lambertson, Jr. D4/138

(Continued)

(**) Term: **15 Years**
(21) Appl. No.: **29/705,602**
(22) Filed: **Sep. 13, 2019**

Related U.S. Application Data

(63) Continuation-in-part of application No. 16/029,533, filed on Jul. 6, 2018, now Pat. No. 10,674,809.
(51) **LOC (13) Cl.** **04-01**
(52) **U.S. Cl.**
USPC **D4/135**
(58) **Field of Classification Search**
USPC D4/116, 118, 130, 132, 134, 138, 199;
15/111
CPC A46B 5/02; A46B 15/0081
See application file for complete search history.

References Cited

U.S. PATENT DOCUMENTS

1,456,535 A * 5/1923 Cartwright A46B 7/04
15/176.4
1,676,703 A * 7/1928 Nuyts A46B 7/04
15/176.3
4,041,566 A 8/1977 Ford
4,129,918 A 12/1978 Lee
4,279,053 A 7/1981 Payne et al.
4,307,478 A 12/1981 Ward et al.
5,141,811 A 8/1992 Kawakami et al.
5,933,908 A 8/1999 O'Brien

OTHER PUBLICATIONS

Video home page and screen shots of "Stinger Paintbrush," shown in "3 Paint Brushes Tested and Reviewed. Don't Buy This Brush!!!" [on-line]. Published [Jul. 6, 2019.] [Retrieved from the Internet Jan. 11, 2022.] URL: >https://www.youtube.com/watch?v=8zbga4vwc_s< (Year: 2019).*

(Continued)

Primary Examiner — Karen E Eldridge Powers
(74) *Attorney, Agent, or Firm* — Mark C. Johnson;
Johnson Dalal

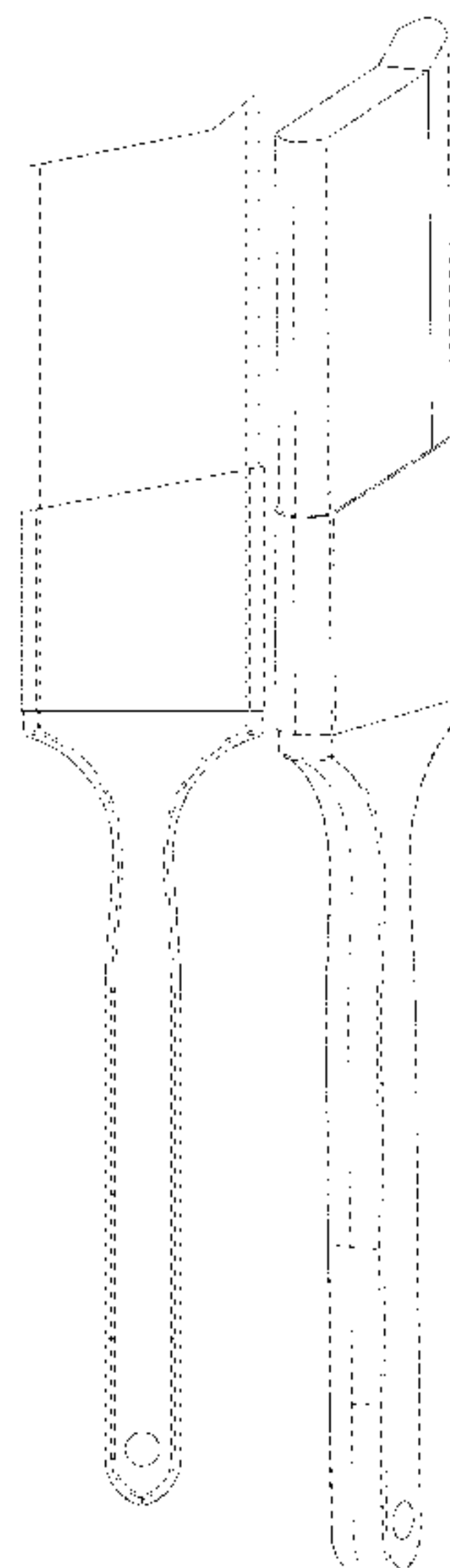
(57) **CLAIM**

The ornamental design for a paintbrush, as shown and described.

DESCRIPTION

FIG. 1 is an elevational front view of a paintbrush in accordance with the present invention;
FIG. 2 is a top plan view of the paintbrush in FIG. 1;
FIG. 3 is a bottom plan view of the paintbrush in FIG. 1;
FIG. 4 is an elevational left-side view of the paintbrush in FIG. 1;
FIG. 5 is an elevational rear view of the paintbrush in FIG. 1;
FIG. 6 is an elevational right-side view of the paintbrush in FIG. 1; and,
FIG. 7 is a perspective view of the paintbrush in FIG. 1.

1 Claim, 3 Drawing Sheets



(56)

References Cited

U.S. PATENT DOCUMENTS

9,414,669 B2 * 8/2016 Fleischer A46B 7/04
D767,903 S 10/2016 Lim
D774,311 S * 12/2016 Vasquez D4/116
D843,734 S * 3/2019 Dale D4/138
D862,900 S * 10/2019 Weaver-Habib D4/135
D877,709 S * 3/2020 Winter D14/135
10,624,446 B2 * 4/2020 Cline A46B 9/026
10,674,809 B2 * 6/2020 Peace A46B 15/0036
2004/0163193 A1 * 8/2004 Stafford A46B 15/0055
15/105
2005/0273962 A1 12/2005 Dillon
2014/0259489 A1 * 9/2014 Dale A46B 9/025
15/207.2
2020/0221858 A1 * 7/2020 Alvarez A46B 17/02

OTHER PUBLICATIONS

Video of “Stinger Paintbrush,” shown in “3 Paint Brushes Tested and Reviewed. Don’t Buy This Brush!!!” [on-line]. Published [Jul. 6, 2019.] [Retrieved from the Internet Jan. 11, 2022.] URL: >https://www.youtube.com/watch?v=8zbg4vwc_s< (Year: 2019).*

* cited by examiner

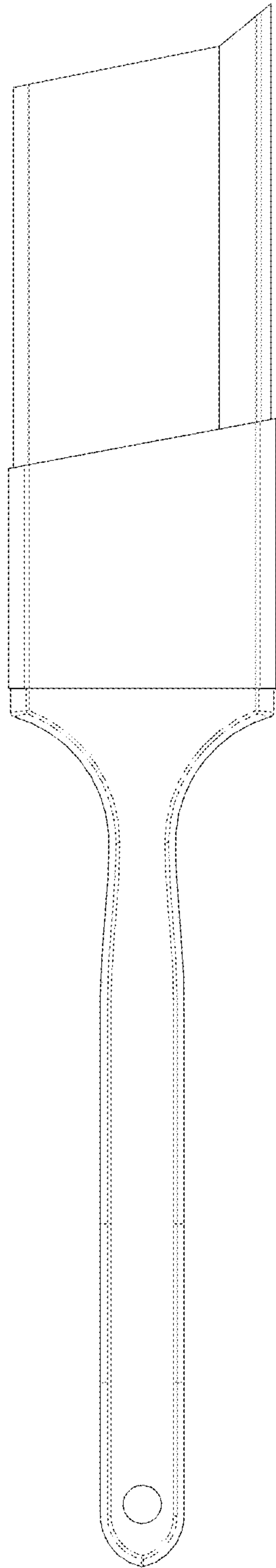


FIG. 1



FIG. 2

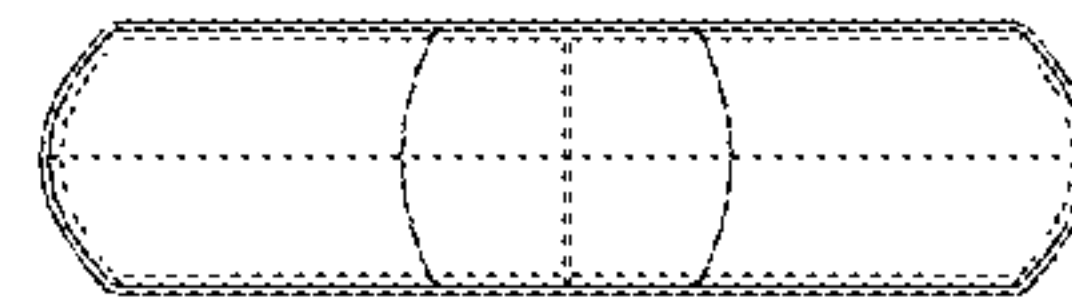


FIG. 3

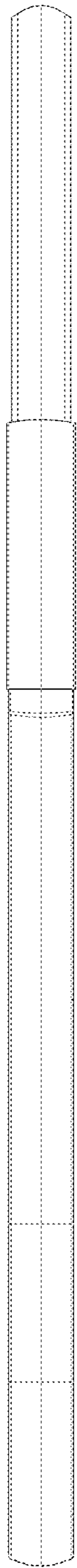


FIG. 4

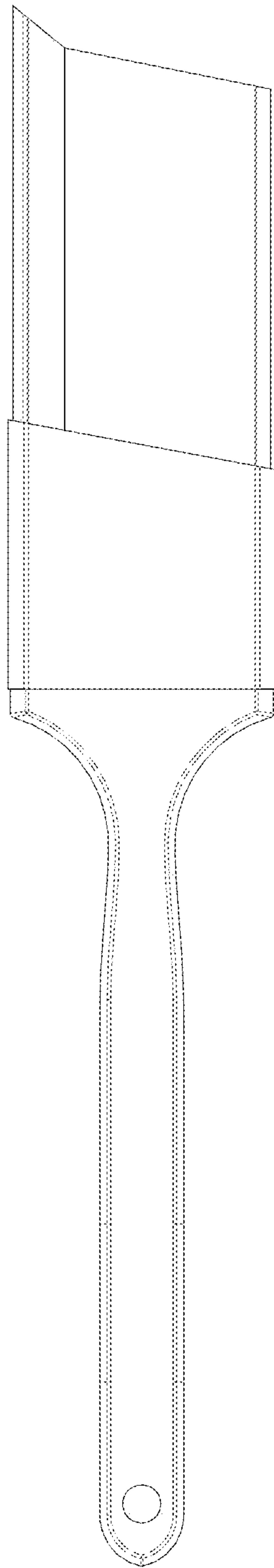


FIG. 5

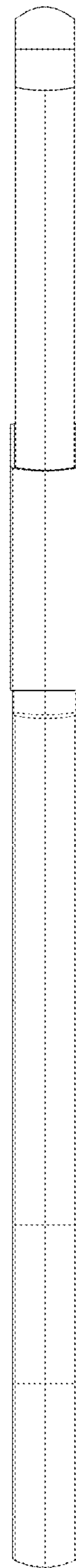


FIG. 6

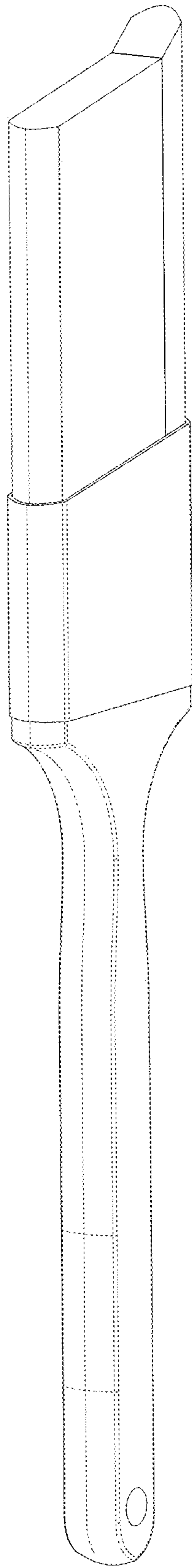


FIG. 7