



US00D950251S

(12) **United States Design Patent** (10) **Patent No.:** **US D950,251 S**
Wang (45) **Date of Patent:** **** May 3, 2022**

(54) **WINDOW GROOVE CLEANING BRUSH**
(71) Applicant: **Shenzhen Bainachuan Electronic Commerce Co.,Ltd., Shenzhen (CN)**
(72) Inventor: **Baorong Wang, Shenzhen (CN)**
(**) Term: **15 Years**
(21) Appl. No.: **29/779,075**
(22) Filed: **Apr. 16, 2021**
(51) **LOC (13) Cl.** **04-01**
(52) **U.S. Cl.**
USPC **D4/120**
(58) **Field of Classification Search**
USPC D4/120, 118, 131, 132
CPC ... B25G 1/00; A47L 13/12; A47L 4/02; A46B 5/0075; A46B 11/063; B60S 3/045; B44D 3/225
See application file for complete search history.

D383,907 S * 9/1997 Fey D4/118
6,018,836 A * 2/2000 Williams A47L 13/12
D4/118
6,061,862 A * 5/2000 Whitaker B25G 1/00
D4/118
D871,077 S 12/2019 Zemel
D871,773 S 1/2020 Ou
D878,767 S 3/2020 Uyttenboogaard
D891,785 S 8/2020 Luo
D893,886 S 8/2020 Xiong
D903,329 S 12/2020 Aguiar
D906,689 S 1/2021 Higgins
D906,690 S 1/2021 Beck
D909,068 S 2/2021 Dye
D910,317 S 2/2021 Aguiar

* cited by examiner

Primary Examiner — Rhea Shields
(74) *Attorney, Agent, or Firm* — Rumi Ranjit Kanakia

(57) **CLAIM**

The ornamental design for a window groove cleaning brush, as shown and described.

DESCRIPTION

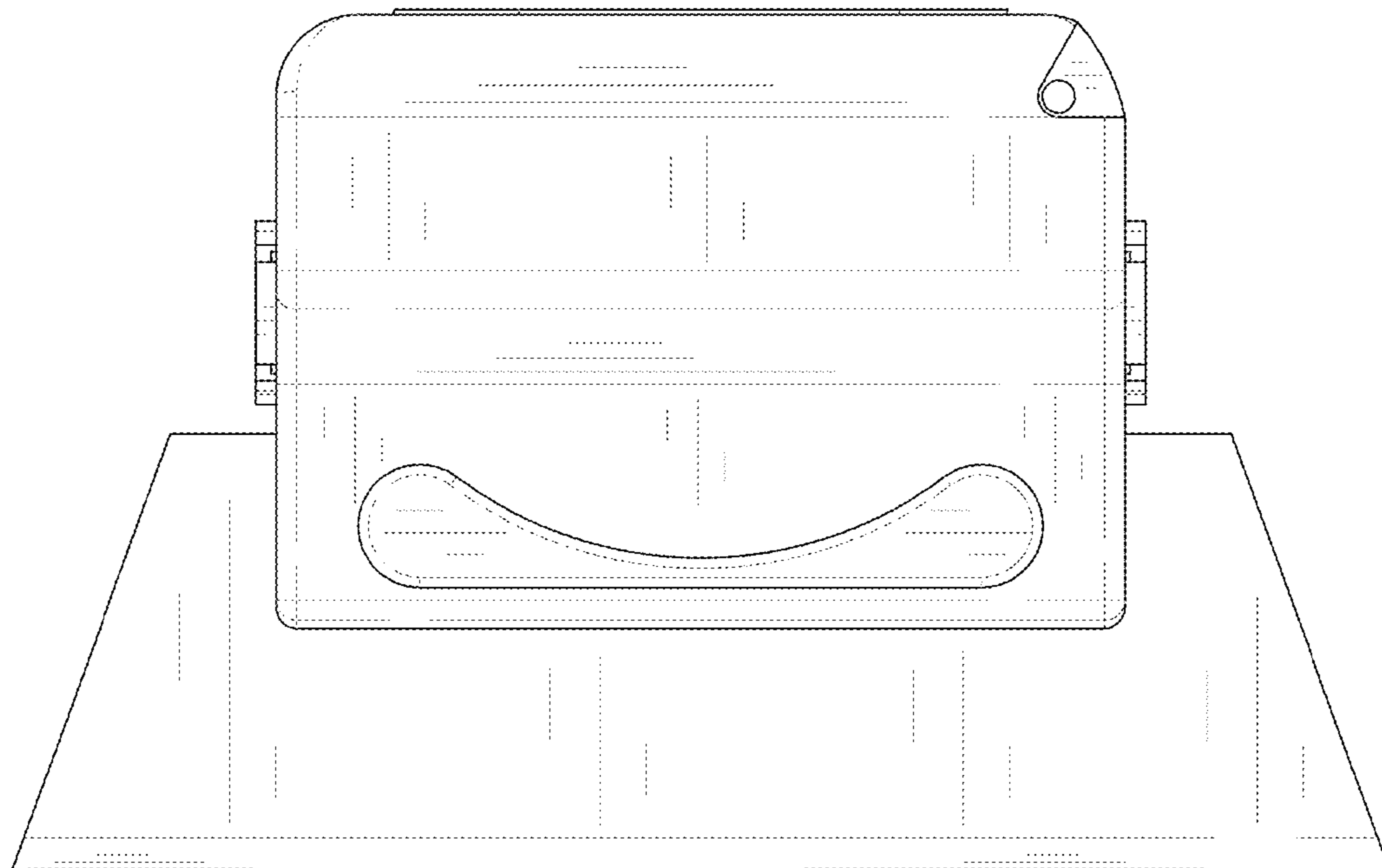
FIG. 1 is a front elevational view of a window groove cleaning brush showing my new design; FIG. 2 is a rear elevational view thereof; and FIG. 3 is a left elevational view thereof; FIG. 4 is a right side view thereof; FIG. 5 is a top side view thereof; FIG. 6 is a bottom plan view thereof; and, FIG. 7 is a perspective view of a window groove cleaning brush showing my new design. The broken lines in the figures are for the purposes of illustrating portions of the window groove cleaning brush, which form no part of the claimed design.

1 Claim, 7 Drawing Sheets

(56) **References Cited**

U.S. PATENT DOCUMENTS

D99,111 S * 3/1936 Bickel D4/132
D111,170 S * 9/1938 Brown D4/131
2,564,031 A * 8/1951 Rich A46B 11/063
15/235
2,841,810 A * 7/1958 Reinhard A46B 5/0075
D4/131
2,985,902 A * 5/1961 Sopocy B44D 3/225
15/210.1
3,017,649 A * 1/1962 Racicot B60S 3/045
D4/118
D202,542 S * 10/1965 Siemund D4/118
4,574,415 A * 3/1986 Vitonis A47L 4/02
15/247
D304,106 S * 10/1989 Dobson 15/210.1



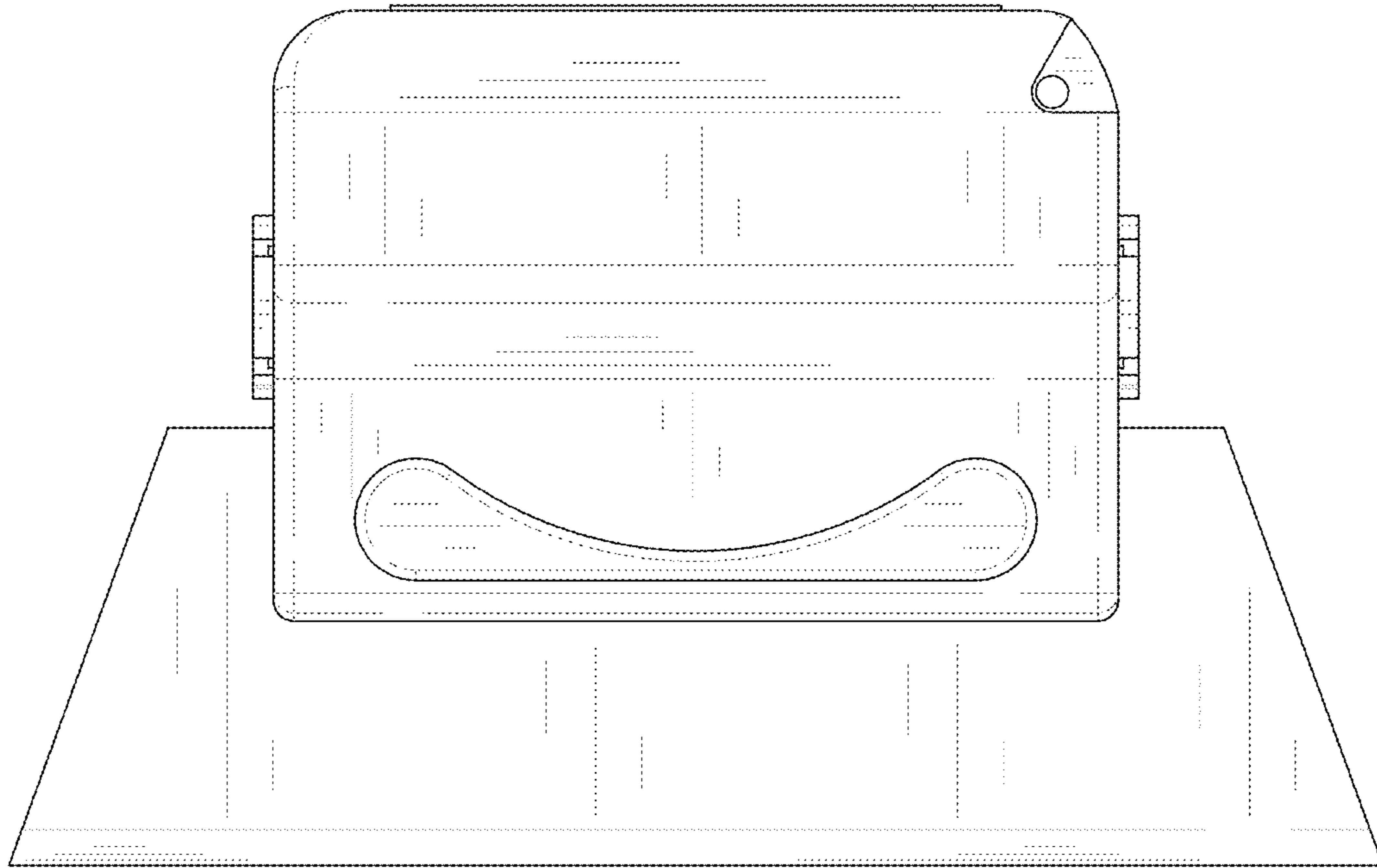


FIG. 1

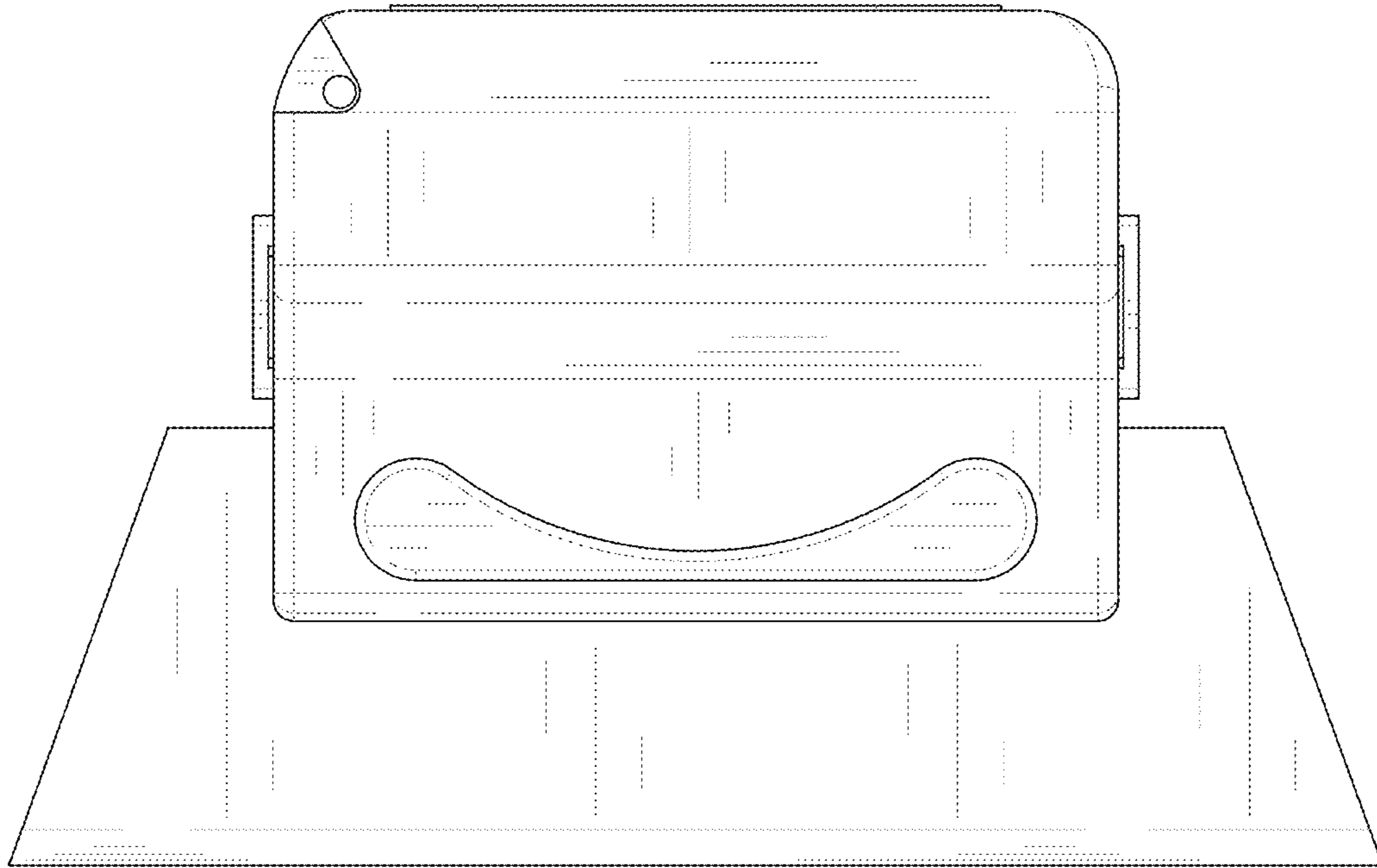


FIG. 2

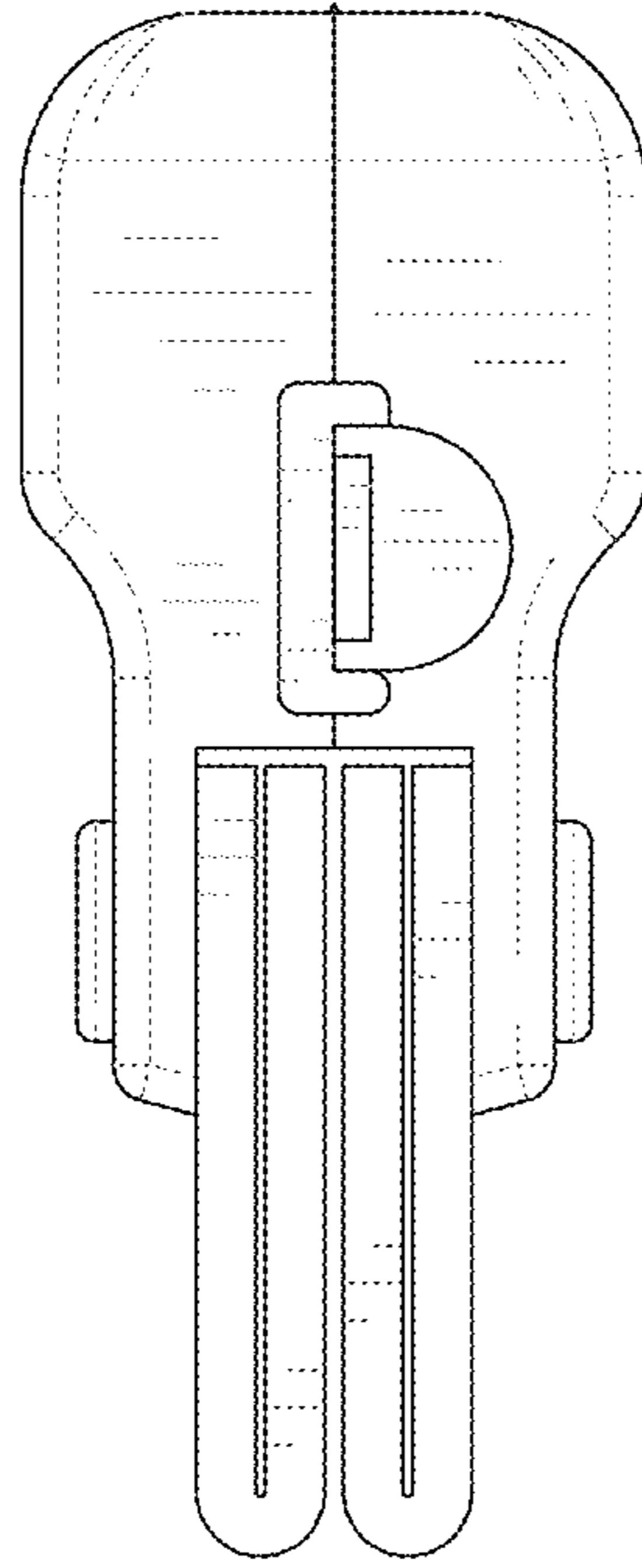


FIG. 3

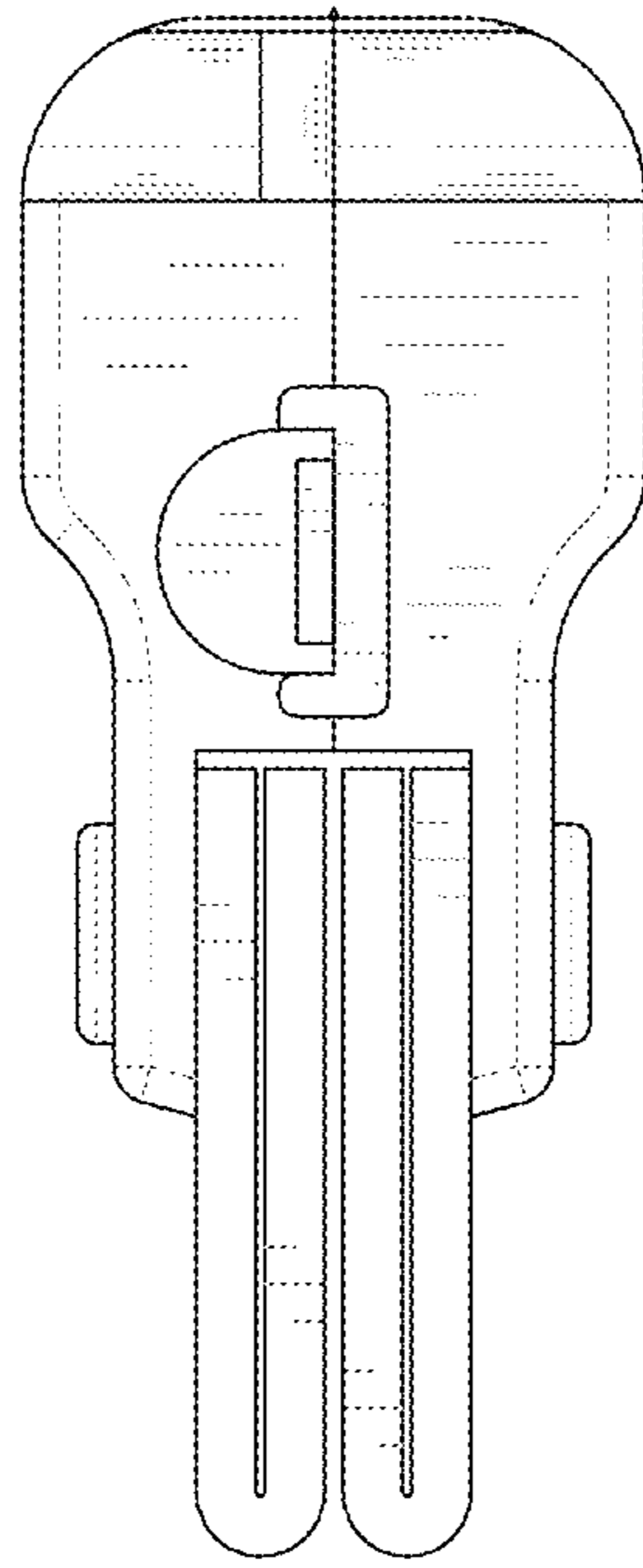


FIG. 4

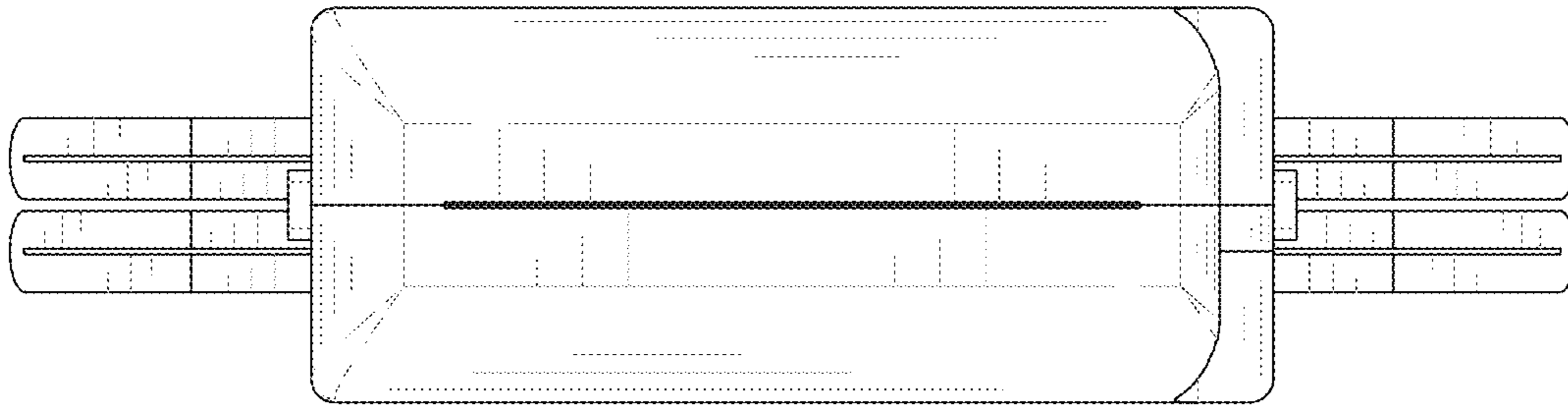


FIG. 5

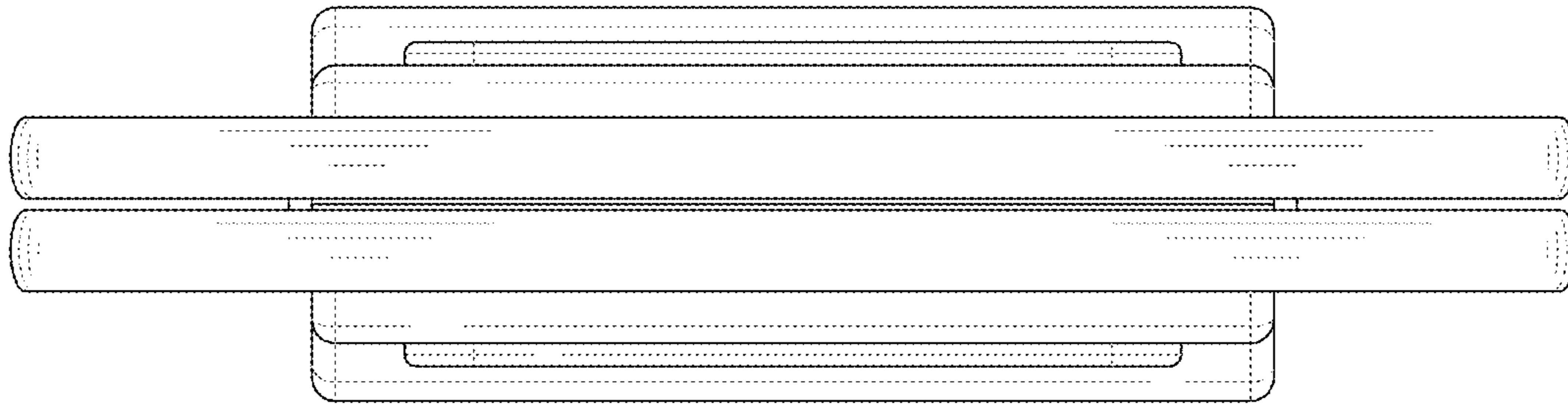


FIG. 6

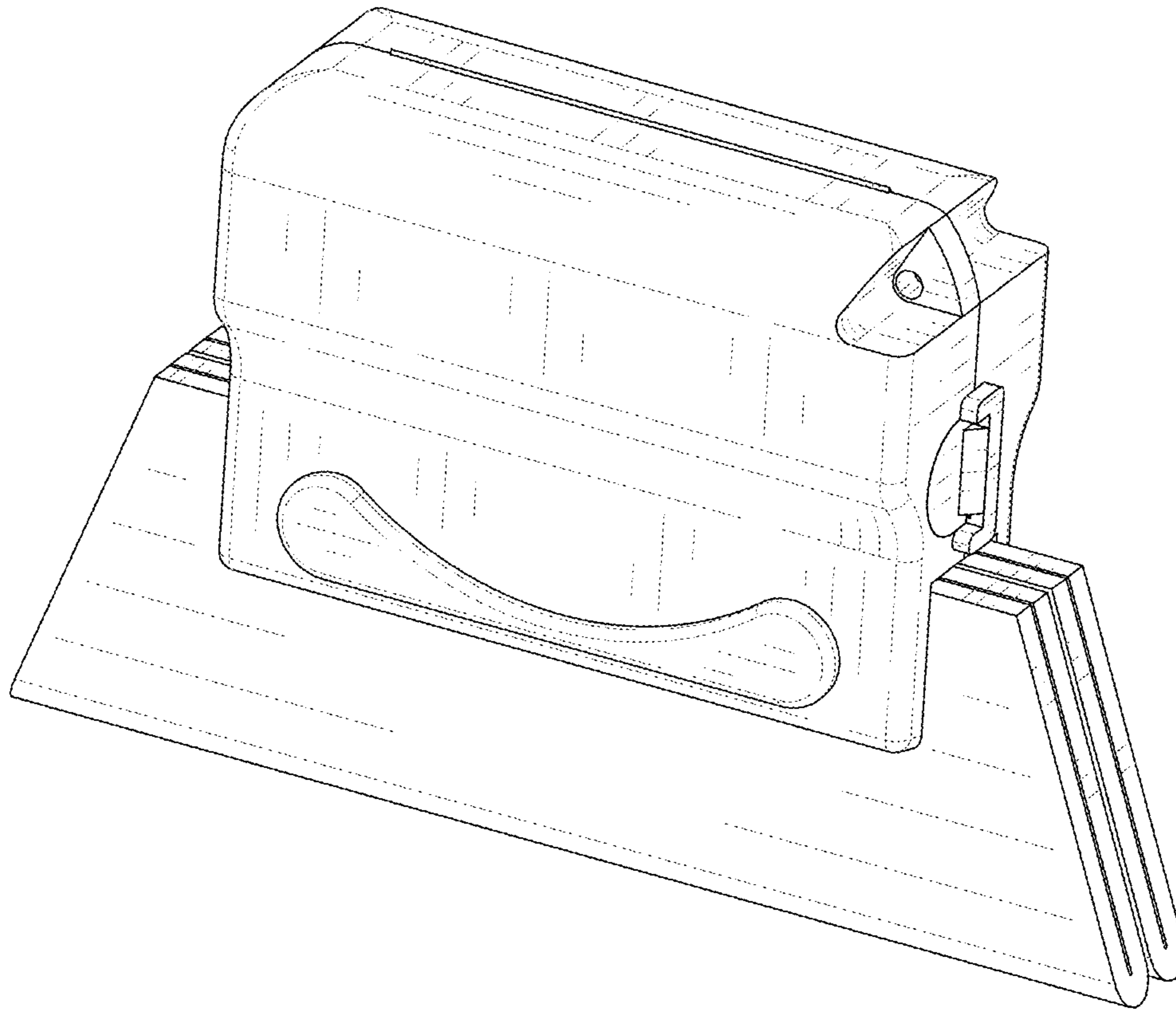


FIG. 7