



US00D950250S

(12) **United States Design Patent**
Morgeson

(10) **Patent No.:** **US D950,250 S**

(45) **Date of Patent:** **** May 3, 2022**

(54) **HITCH MOUNTED BOOT BRUSH**

D460,270 S * 7/2002 Mannisto, Jr. D4/106
10,687,689 B1 * 6/2020 Antonucci A46B 1/00
10,827,821 B2 * 11/2020 Lenney A46B 5/0008

(71) Applicant: **Steve Morgeson**, Richmond, KY (US)

(72) Inventor: **Steve Morgeson**, Richmond, KY (US)

(**) Term: **15 Years**

(21) Appl. No.: **29/757,385**

(22) Filed: **Nov. 5, 2020**

(51) **LOC (13) Cl.** **04-01**

(52) **U.S. Cl.**
USPC **D4/119**

(58) **Field of Classification Search**
USPC D4/119, 106, 120; D32/47; D21/795
CPC A46B 5/0008; A46B 1/00
See application file for complete search history.

(56) **References Cited**

U.S. PATENT DOCUMENTS

D109,603 S *	5/1938	Butts	D32/47
D112,815 S *	1/1939	McPhee	D4/120
D130,254 S *	11/1941	Racicot	D4/120
D157,707 S *	3/1950	Shelsey	D4/120
D189,287 S *	11/1960	Dobbins	D32/47
D283,849 S *	5/1986	Miller	D32/47
D285,627 S *	9/1986	Ballard	D4/120
D292,753 S *	11/1987	Clayton	D21/795
D370,348 S *	6/1996	McElheney	D4/120
D414,906 S *	10/1999	Garske	D32/47
D439,714 S *	3/2001	Meshbesher	D32/47
D455,867 S *	4/2002	Pratt	D28/63

OTHER PUBLICATIONS

“Original Scrusher” reference dated Dec. 18, 2021 on the internet at:
https://www.scrusher.com/products/original-scrusher.*

* cited by examiner

Primary Examiner — Rhea Shields

(74) *Attorney, Agent, or Firm* — Michael Coblenz

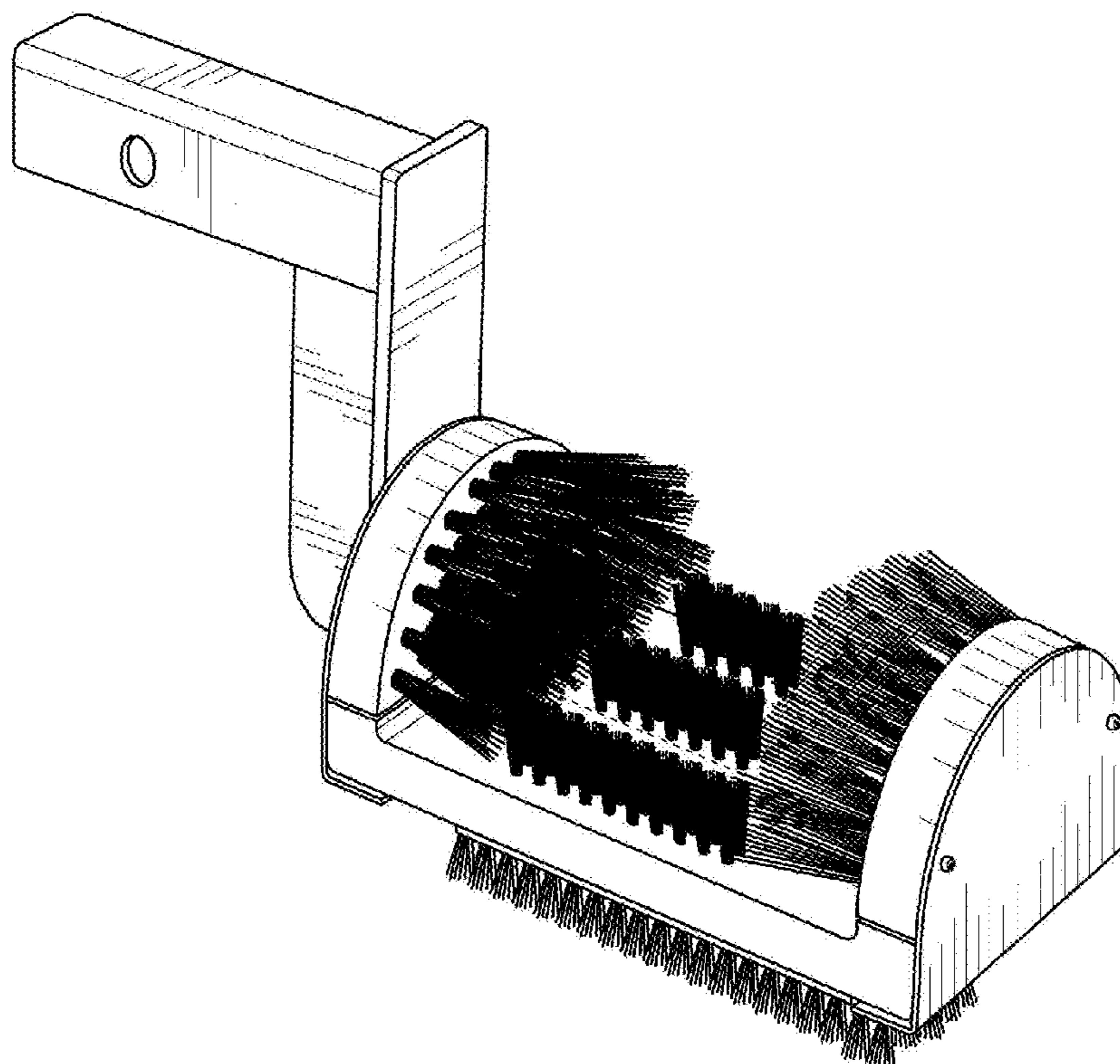
(57) **CLAIM**

The ornamental design for a hitch mounted boot brush, as shown and described.

DESCRIPTION

FIG. 1 is a perspective view of the hitch mounted boot brush; FIG. 2 is a front elevation view thereof; FIG. 3 is a rear elevation view thereof; FIG. 4 is a right side view thereof; FIG. 5 is a left side view thereof; FIG. 6 is a top view thereof; FIG. 7 is a bottom view thereof; and, FIG. 8 is a perspective view of the hitch mounted boot brush mounted in a representative vehicle hitch mount. In FIGS. 6 and 7 the broken lines are for the purpose of illustrating portions of the hitch mounted boot brush that form no part of the claimed design. In FIG. 8 the broken lines show an environment in addition to portions of the article not a part of the claimed design.

1 Claim, 8 Drawing Sheets



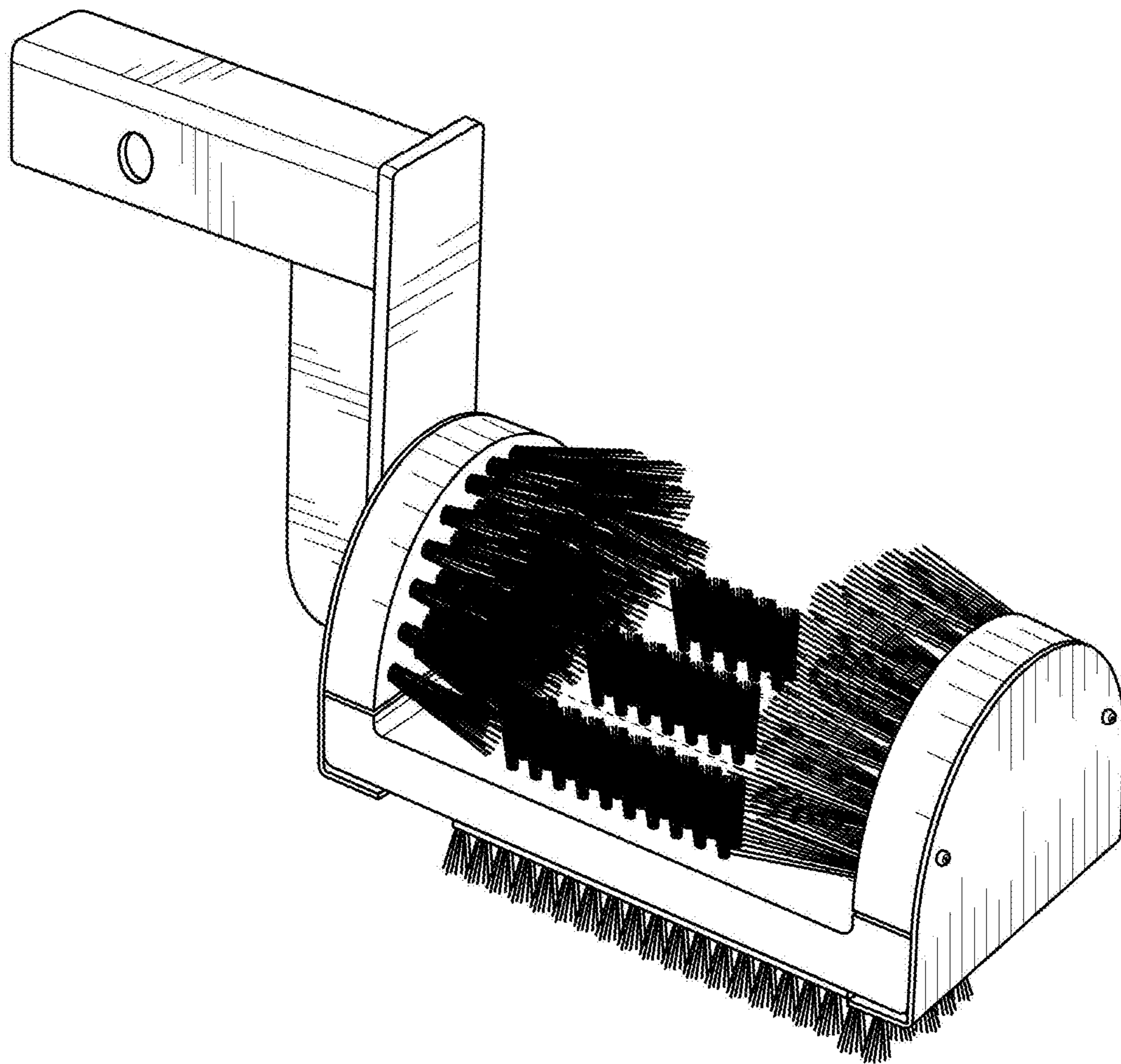


FIG. 1

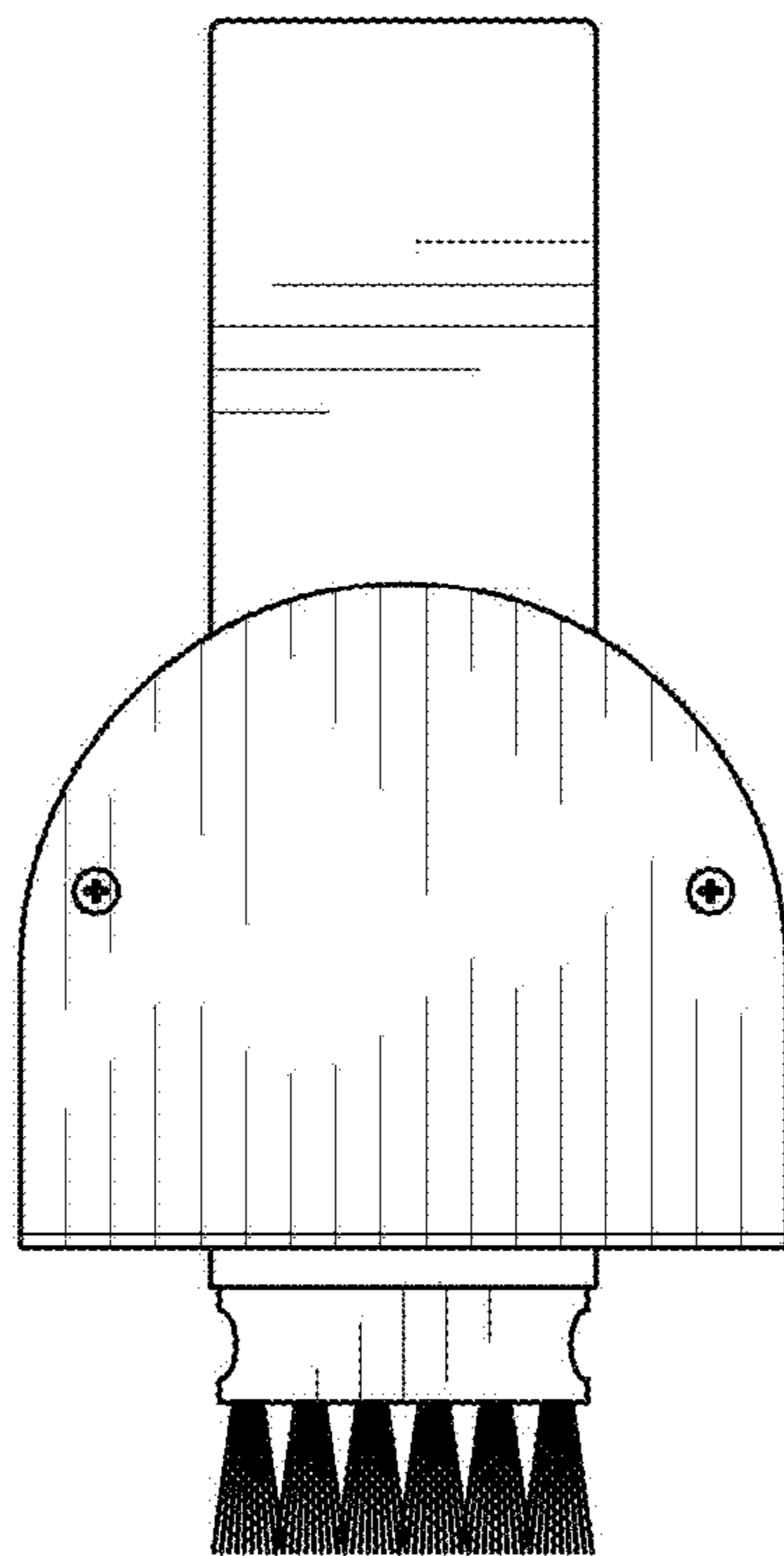


FIG. 2

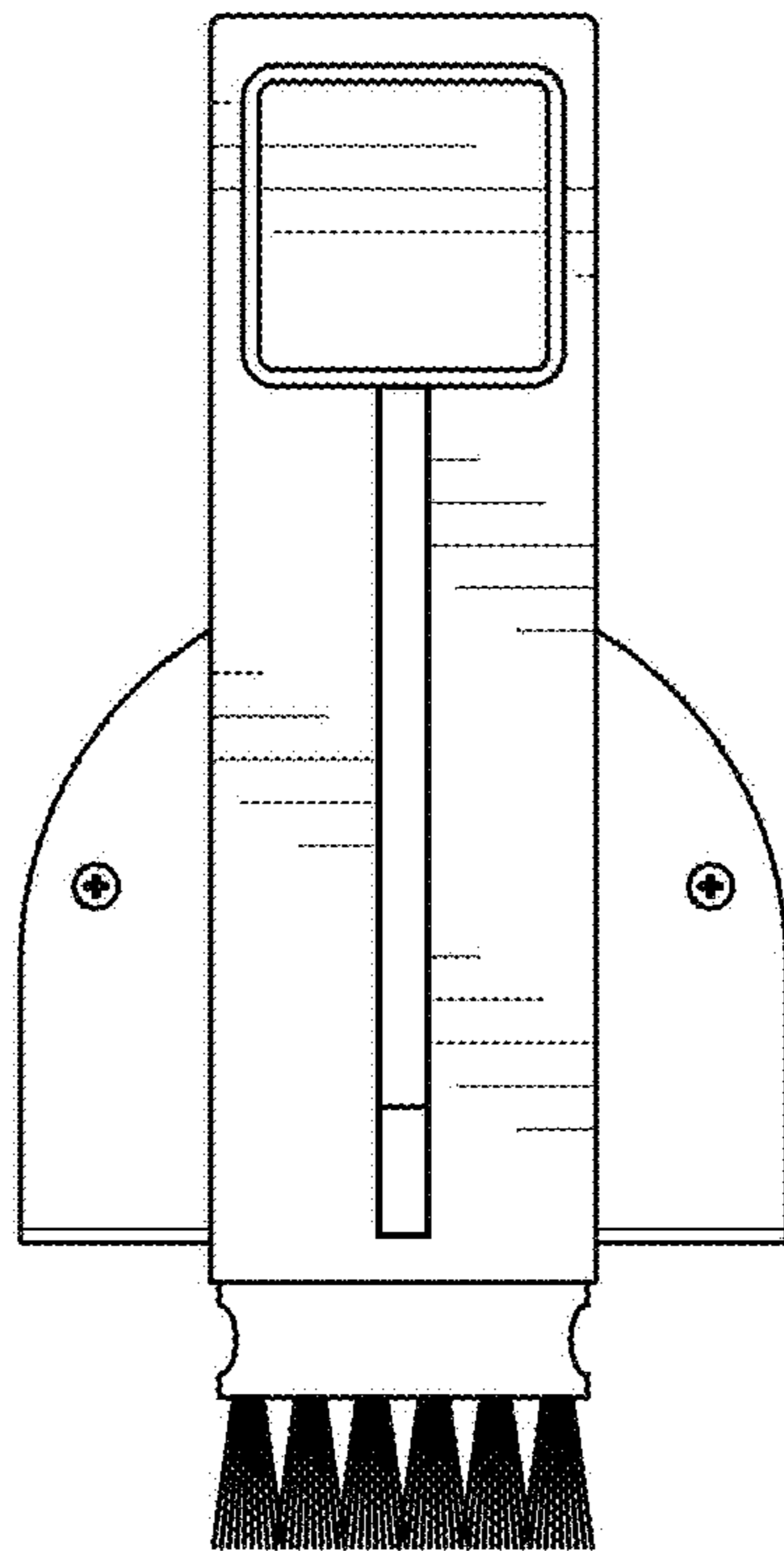


FIG. 3

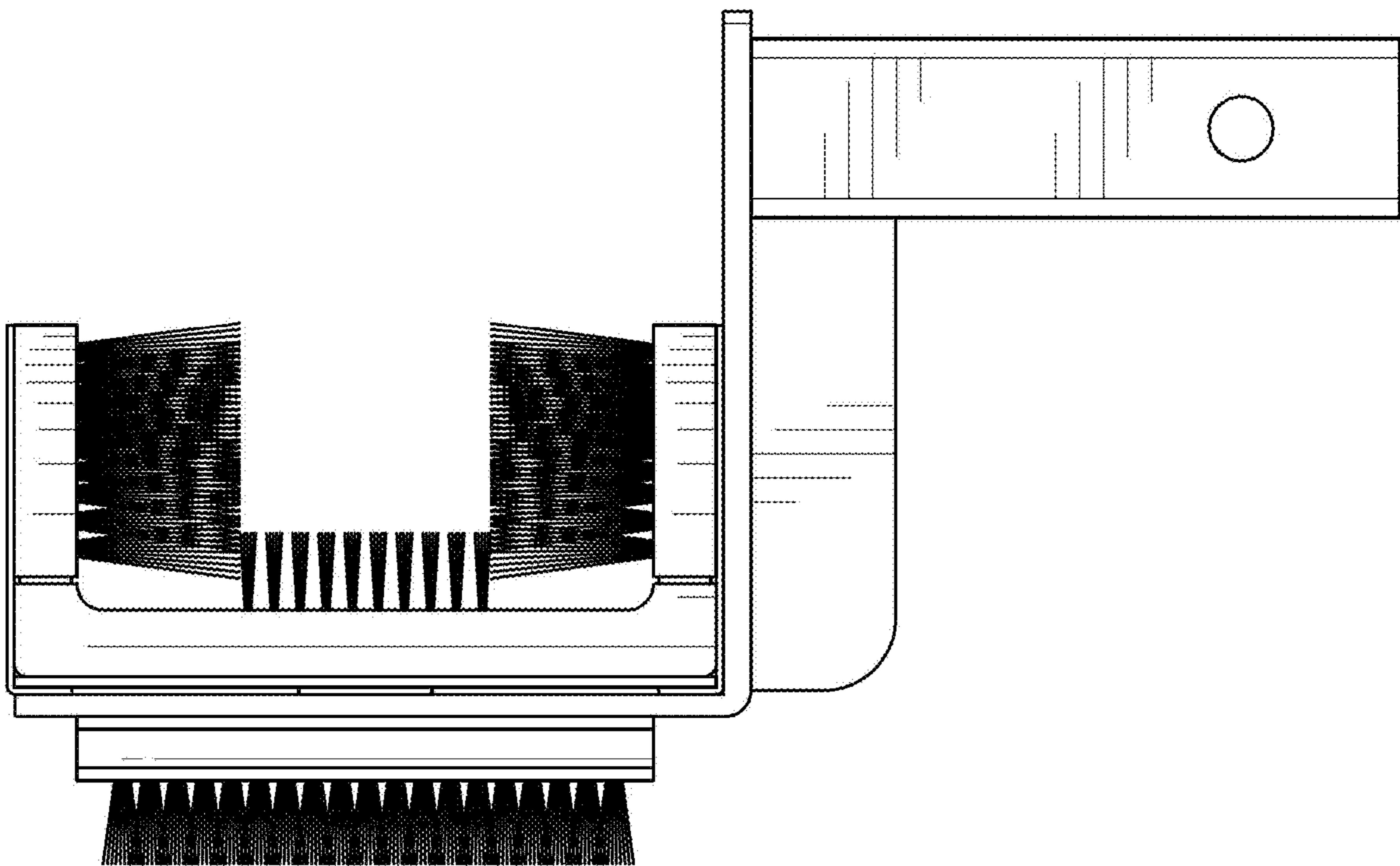


FIG. 4

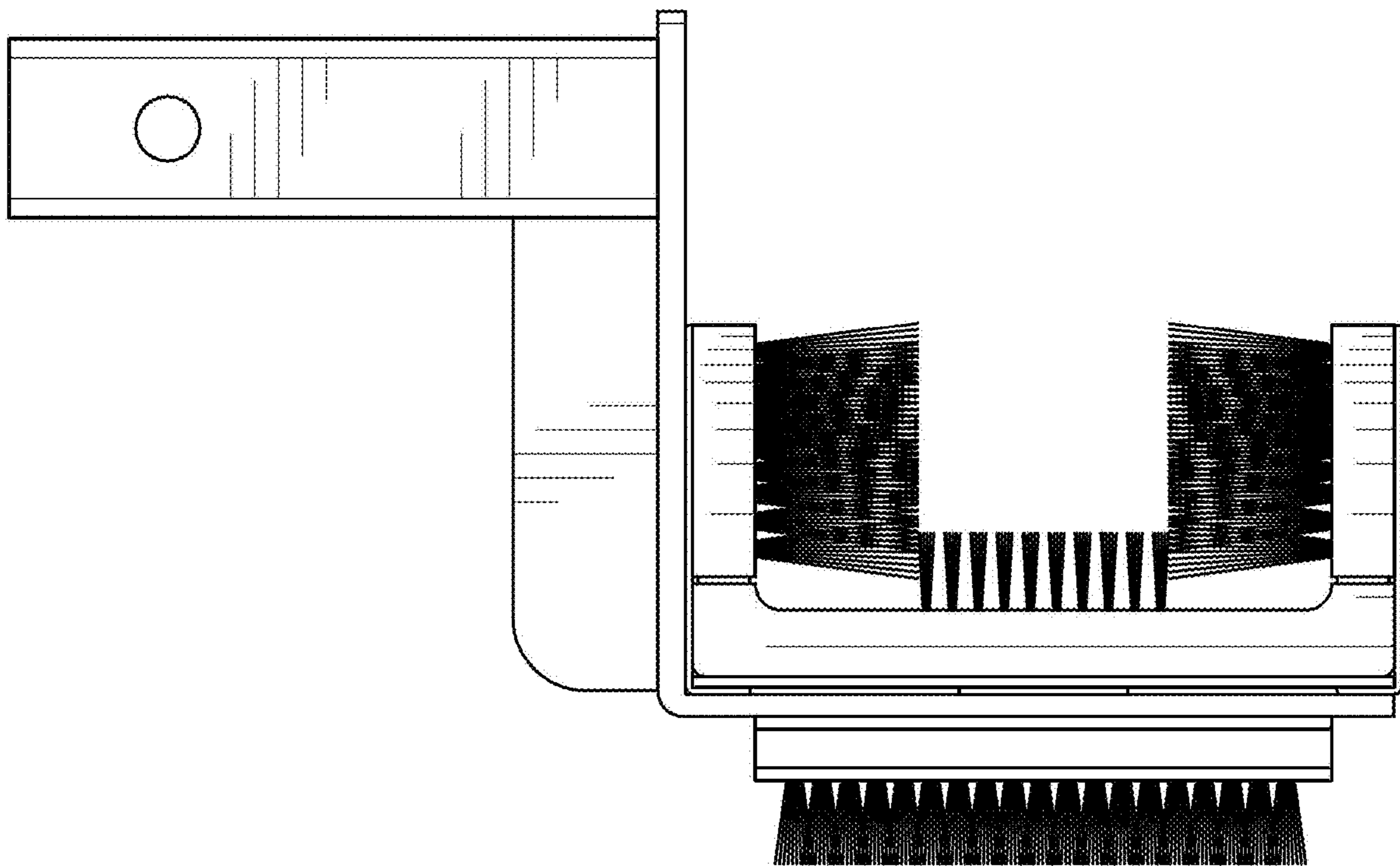


FIG. 5

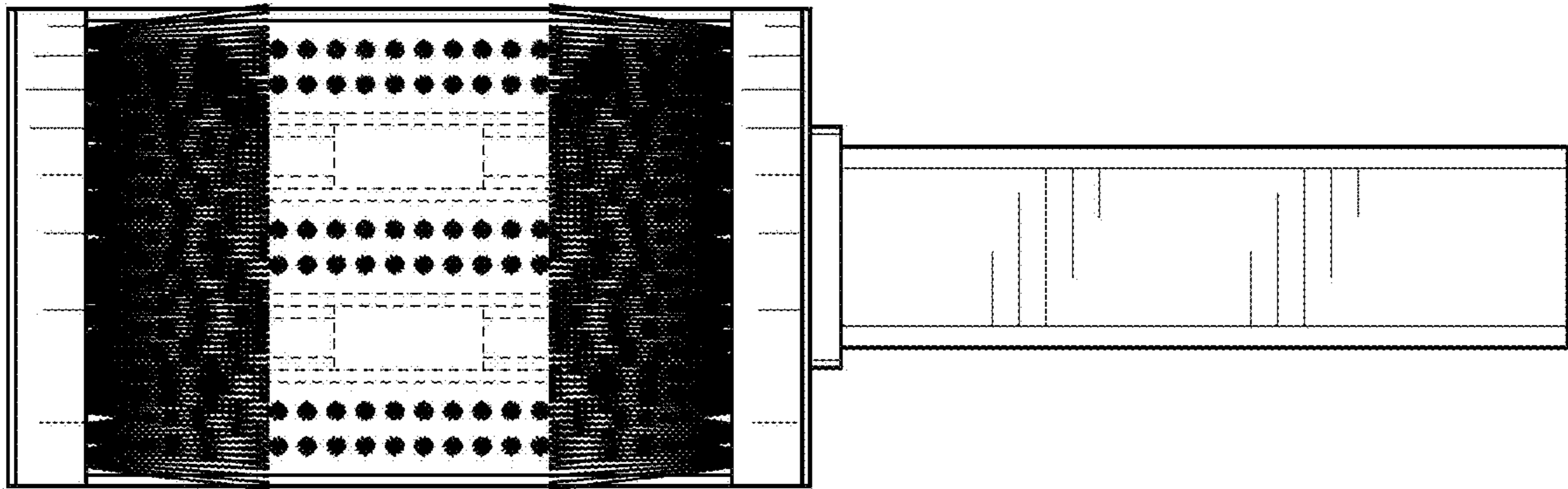


FIG. 6

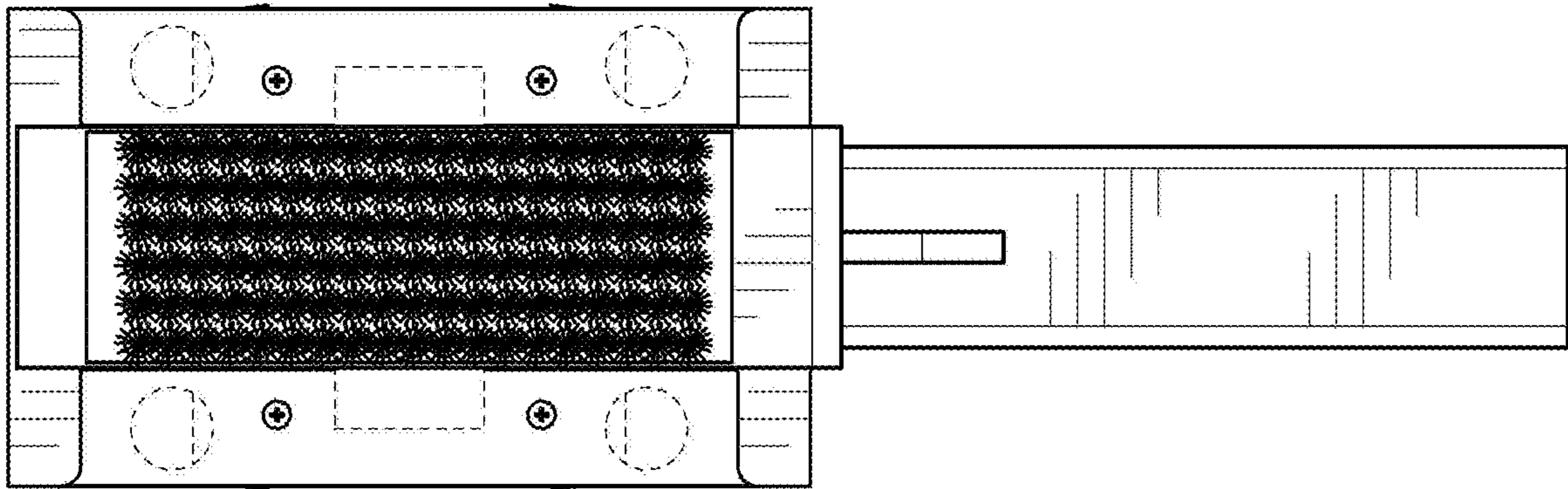


FIG. 7

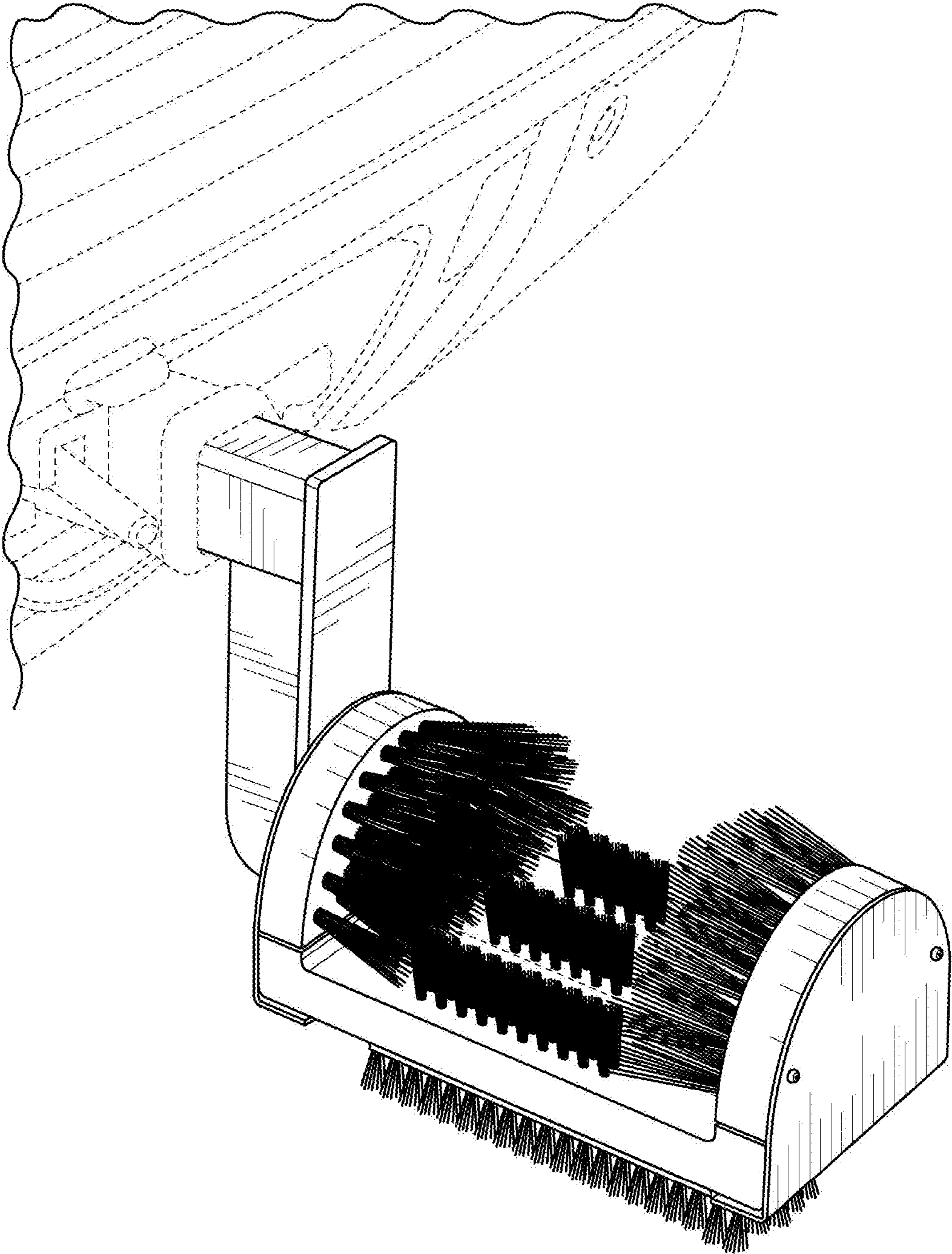


FIG. 8